



US00D609382S

(12) **United States Design Patent**
Laporte

(10) **Patent No.:** **US D609,382 S**
(45) **Date of Patent:** **** Feb. 2, 2010**

(54) **LUMINAIRE**

(75) Inventor: **Jean-Francois Laporte**, Boisbriand (CA)

(73) Assignee: **Lumec Inc.**, Boisbriand, Quebec (CA)

(**) Term: **14 Years**

(21) Appl. No.: **29/307,000**

(22) Filed: **Apr. 21, 2008**

(51) **LOC (9) Cl.** **26-05**

(52) **U.S. Cl.** **D26/71**

(58) **Field of Classification Search** D26/67-72,
D26/85, 92; 362/145, 152, 183, 294, 373,
362/414, 431, 545

See application file for complete search history.

(56) **References Cited**

U.S. PATENT DOCUMENTS

1,215,894 A	2/1917	Yuyama	
D51,774 S	2/1918	Coppinger	
D54,477 S	2/1920	Strahan	
1,356,145 A	10/1920	Hawthorne	
1,486,745 A	3/1924	Haselton	
1,545,711 A	7/1925	Townsend	
1,639,753 A	8/1927	Shelton	
D81,452 S	6/1930	Osborn	
2,075,199 A	3/1937	Horner	
D104,401 S	5/1937	Kanter	
D105,721 S	8/1937	Westfall	
2,132,784 A	10/1938	Guth	
D114,805 S	5/1939	Brooks	
D115,417 S	6/1939	McCann	
D137,508 S	3/1944	Asay	
2,632,095 A	3/1953	Dove	
D172,522 S	6/1954	Stone	
2,732,484 A	1/1956	Lipscomb	
D178,282 S	7/1956	Runtz	
2,767,305 A	10/1956	Onlesen et al.	
2,853,599 A	9/1958	Kliegl	
2,916,609 A *	12/1959	Freier et al.	362/374
D190,385 S	5/1961	Schreckengost	
D191,128 S	8/1961	Curtin et al.	

D192,125 S	1/1962	Lasker	
D195,310 S *	5/1963	Zagel	D26/70
D195,583 S *	7/1963	Phillips	D26/71
D195,584 S	7/1963	D'Ercoli	
D199,078 S	9/1964	Turner	
D199,142 S	9/1964	Daum	
D199,144 S	9/1964	Daum	
3,156,418 A	11/1964	Jablonski	
3,170,634 A	2/1965	Harling	
D201,764 S *	7/1965	Mox	D26/71
D201,765 S *	7/1965	Mox	D26/71
D201,909 S	8/1965	Harling	
D202,212 S	9/1965	Izzi	

(Continued)

Primary Examiner—Clare E Heflin

(74) *Attorney, Agent, or Firm*—Middleton Reutlinger; John F. Salazar

(57) **CLAIM**

The ornamental design for a luminaire, as shown and described.

DESCRIPTION

FIG. 1 is a lower perspective view of the luminaire of the present invention;

FIG. 2 is a right side view of the design of the present invention;

FIG. 3 is a front view of the design of the present invention;

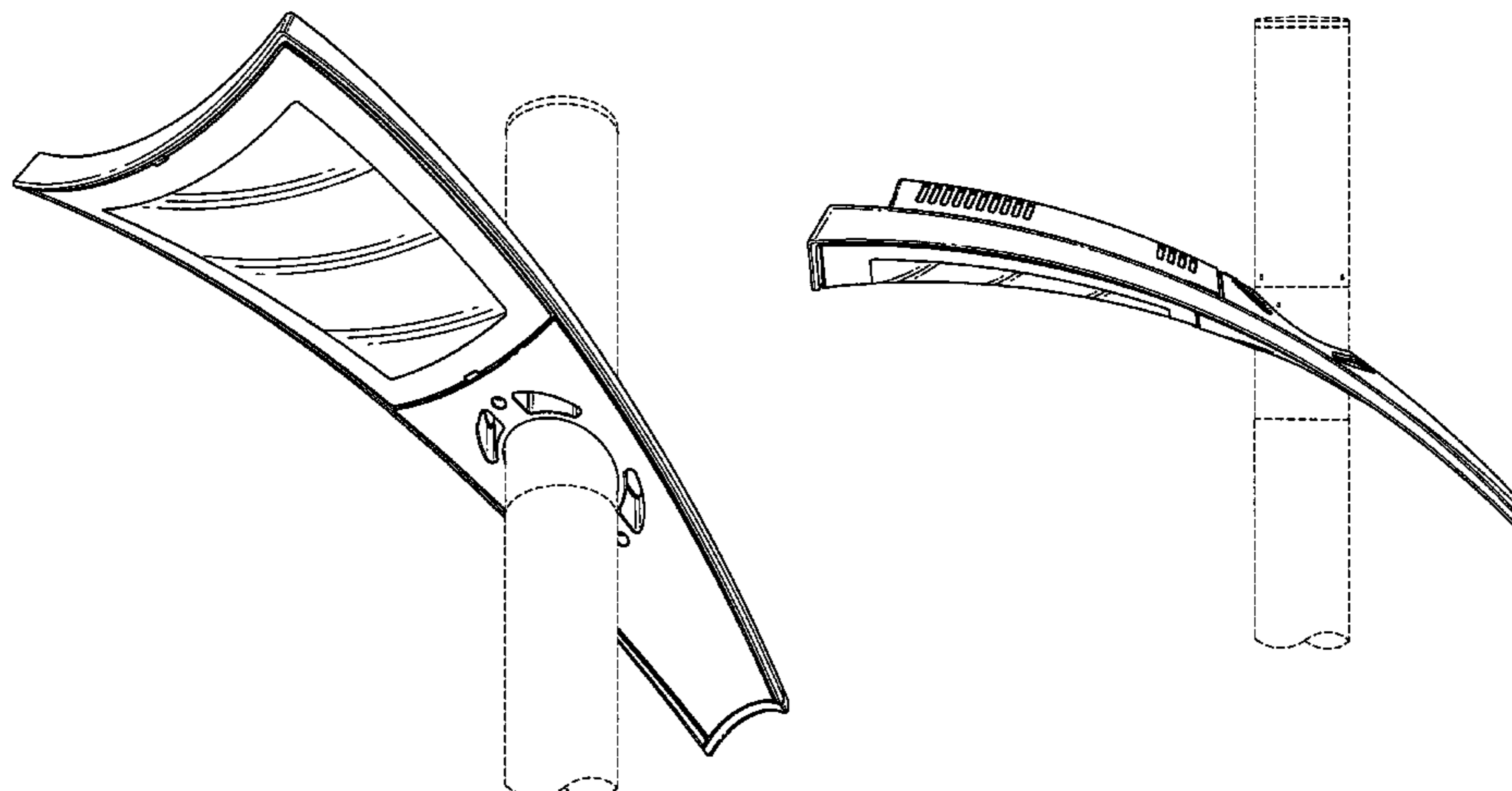
FIG. 4 is a rear view of the design of the present invention;

FIG. 5 is a top view of the design of the present invention; and,

FIG. 6 is a bottom view of the design of the present invention.

The broken lines showing environmental structure are for illustrative purposes only and form no part of the claimed design.

1 Claim, 6 Drawing Sheets



US D609,382 S

Page 3

D454,975 S	3/2002	De'Armond et al.	D487,600 S	3/2004	Fickas
D456,551 S	4/2002	Russello et al.	D488,253 S	4/2004	Chen
D456,552 S	4/2002	Russello et al.	D494,701 S	8/2004	Campbell
D456,553 S	4/2002	Russello et al.	D495,087 S	8/2004	Brown et al.
D456,926 S	5/2002	Gaskins et al.	D497,226 S	10/2004	Nauert
D456,927 S	5/2002	Russello et al.	D501,057 S	1/2005	Haugaard et al.
D456,928 S	5/2002	Russello et al.	D504,536 S	4/2005	Emory et al.
D456,929 S	5/2002	Russello et al.	D515,231 S	2/2006	Randazzo et al.
D456,930 S	5/2002	Russello et al.	D527,134 S *	8/2006	Bagen D26/71
D459,515 S	6/2002	Gaskins et al.	D531,342 S	10/2006	Kauffman et al.
D459,519 S	6/2002	Russello et al.	D537,196 S	2/2007	Summerford et al.
D460,575 S	7/2002	Tergny et al.	D537,555 S	2/2007	Summerford et al.
6,422,709 B1	7/2002	Panagioutu	D537,556 S	2/2007	Summerford et al.
D465,048 S	10/2002	Gaskins et al.	7,244,050 B2	7/2007	Summerford et al.
D465,063 S	10/2002	D'Armond	D555,821 S	11/2007	Russello et al.
D465,593 S *	11/2002	Chang D26/72	D556,357 S	11/2007	Butler et al.
D465,868 S	11/2002	Gaskins et al.	7,296,914 B1	11/2007	Russello et al.
6,481,875 B1	11/2002	Bryant	D556,935 S	12/2007	Quioque et al.
D467,030 S	12/2002	Gaskins et al.	D556,938 S	12/2007	Russello et al.
D468,051 S	12/2002	Gaskins et al.	D566,876 S *	4/2008	Allen et al. D26/85
D468,472 S	1/2003	Mullally et al.	D572,403 S	7/2008	Walker
D469,565 S	1/2003	Anderson et al.	D575,900 S	8/2008	Summerford et al.
D472,339 S	3/2003	Russello et al.	D579,141 S *	10/2008	Guercio D26/92
D476,771 S	7/2003	Herst et al.	D585,580 S	1/2009	Riffel et al.
D479,624 S	9/2003	Svendson et al.	D598,156 S *	8/2009	Xiao et al. D26/69
D481,158 S	10/2003	Cline	D599,049 S *	8/2009	Guercio D26/69
D481,159 S	10/2003	Walker	2006/0090789 A1	5/2006	Thompson
D482,487 S	11/2003	Russello et al.			
D484,632 S	12/2003	Lamolnara et al.			

* cited by examiner

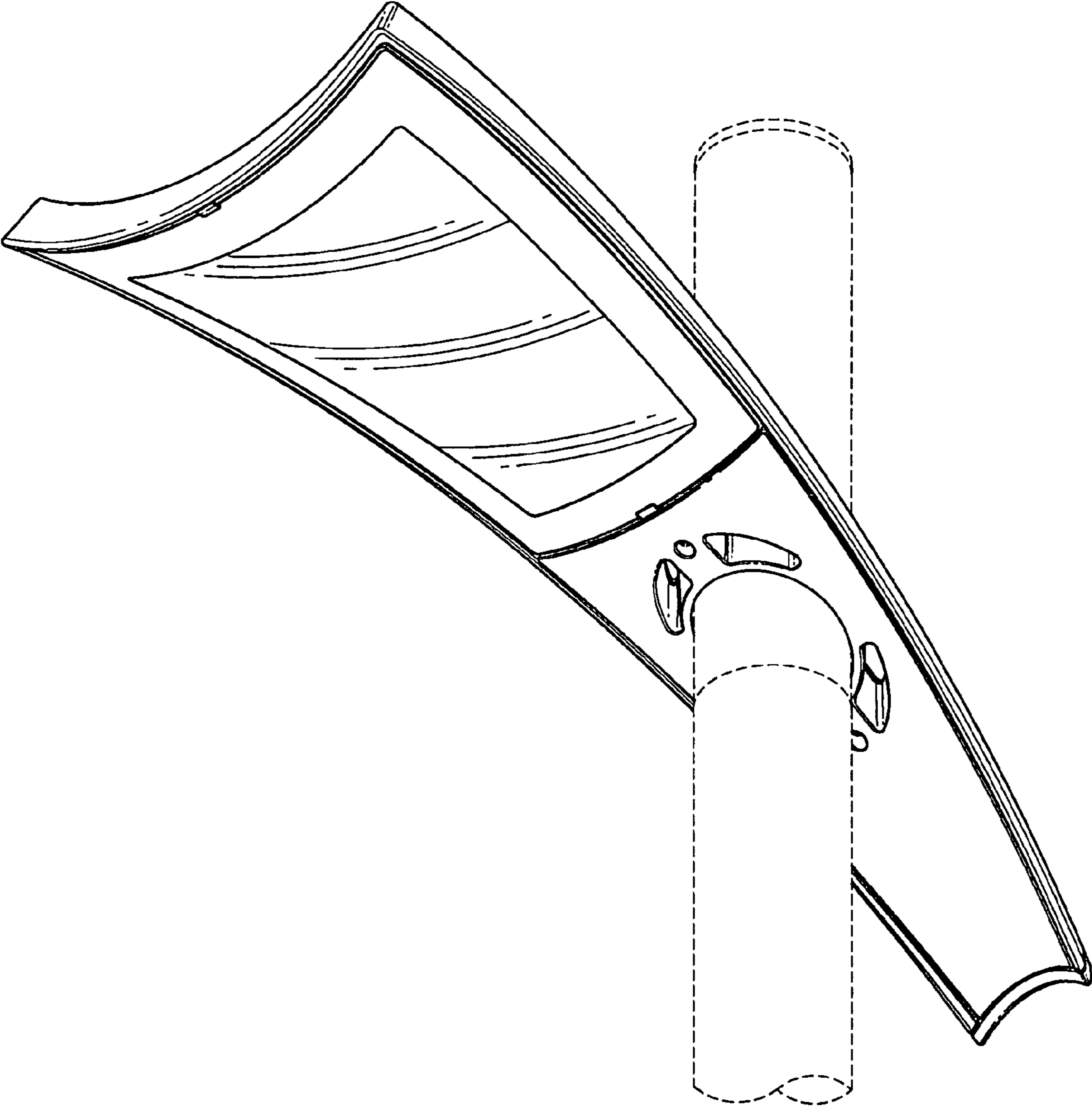


FIG. 1

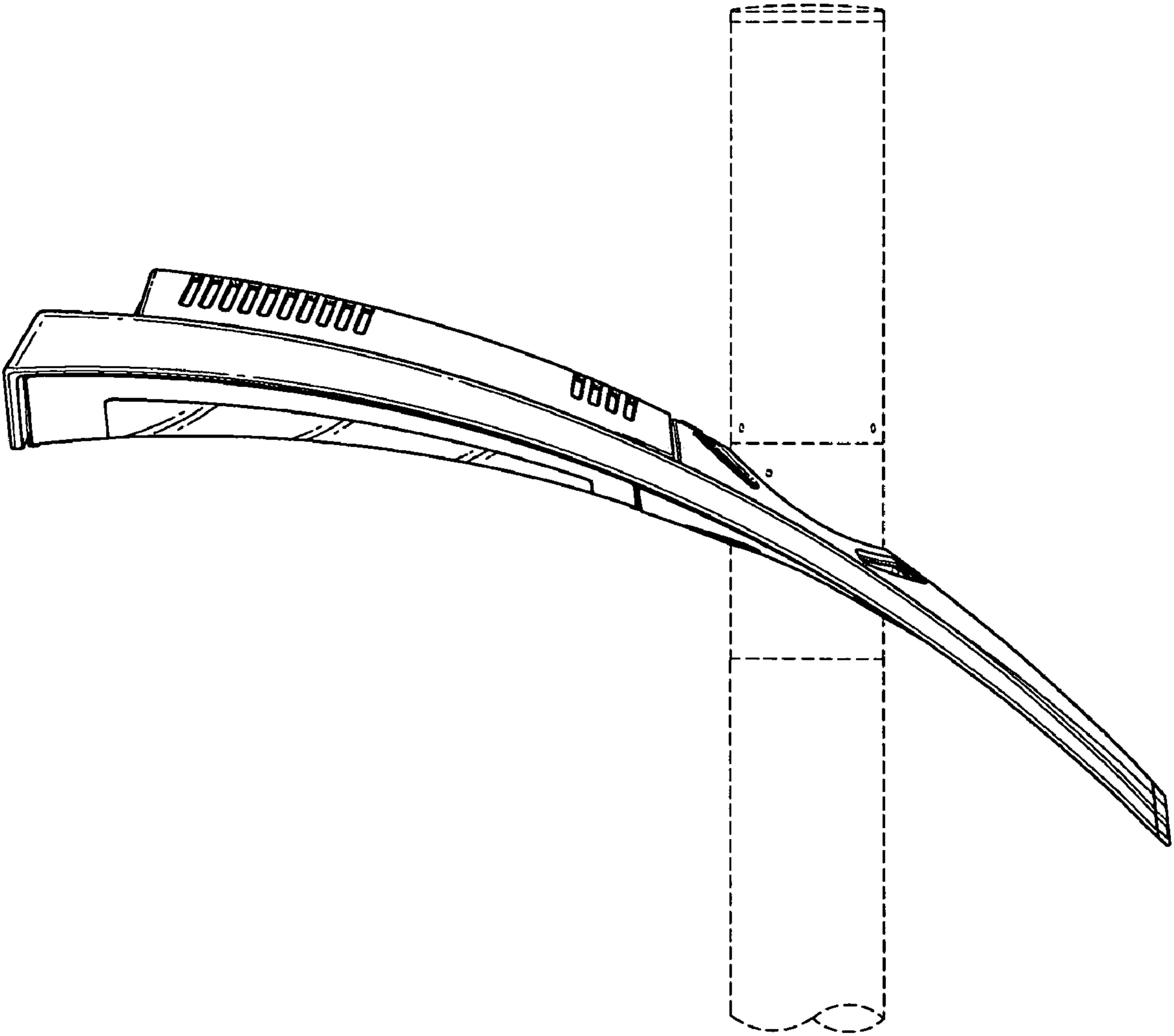


FIG. 2

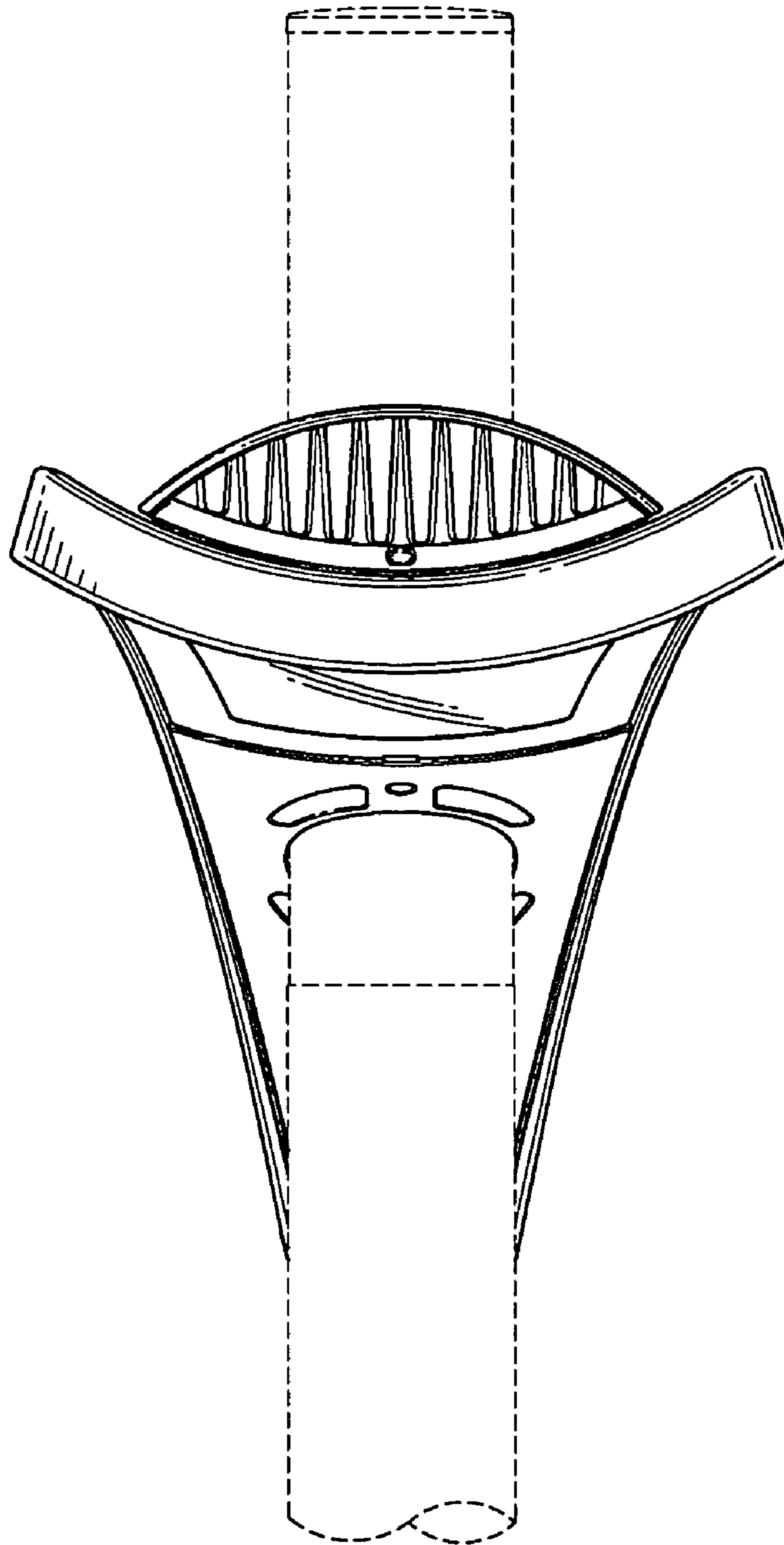


FIG. 3

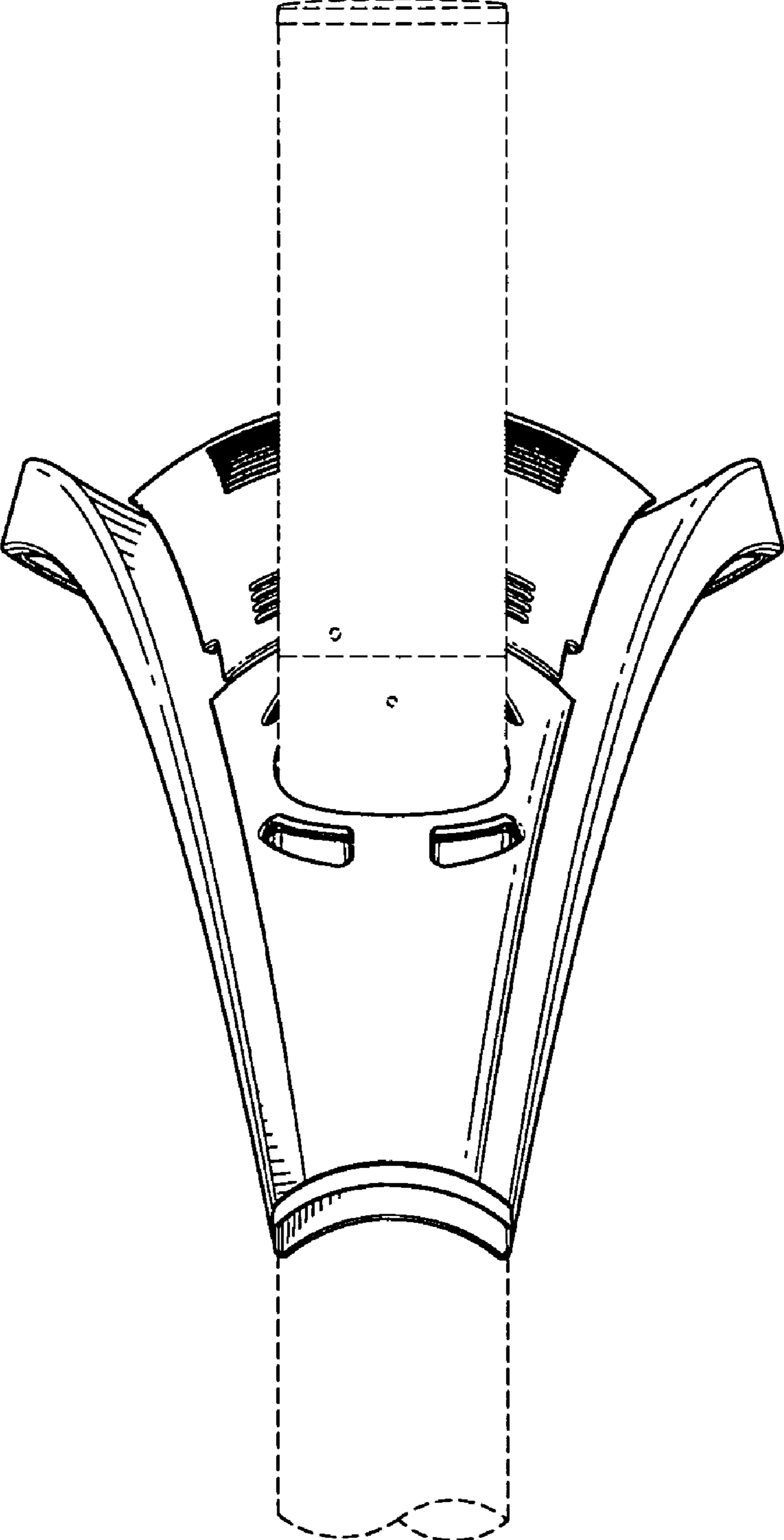


FIG. 4

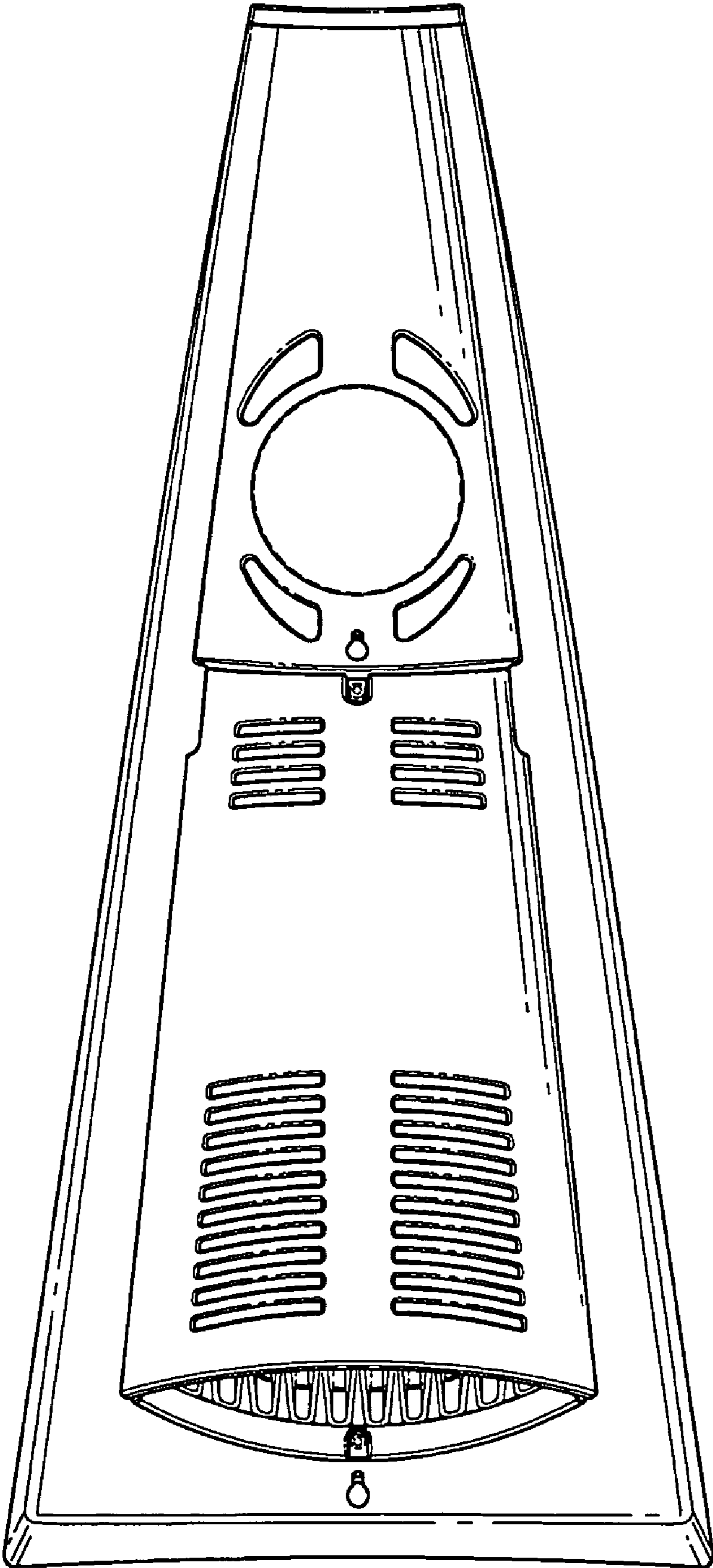


FIG. 5

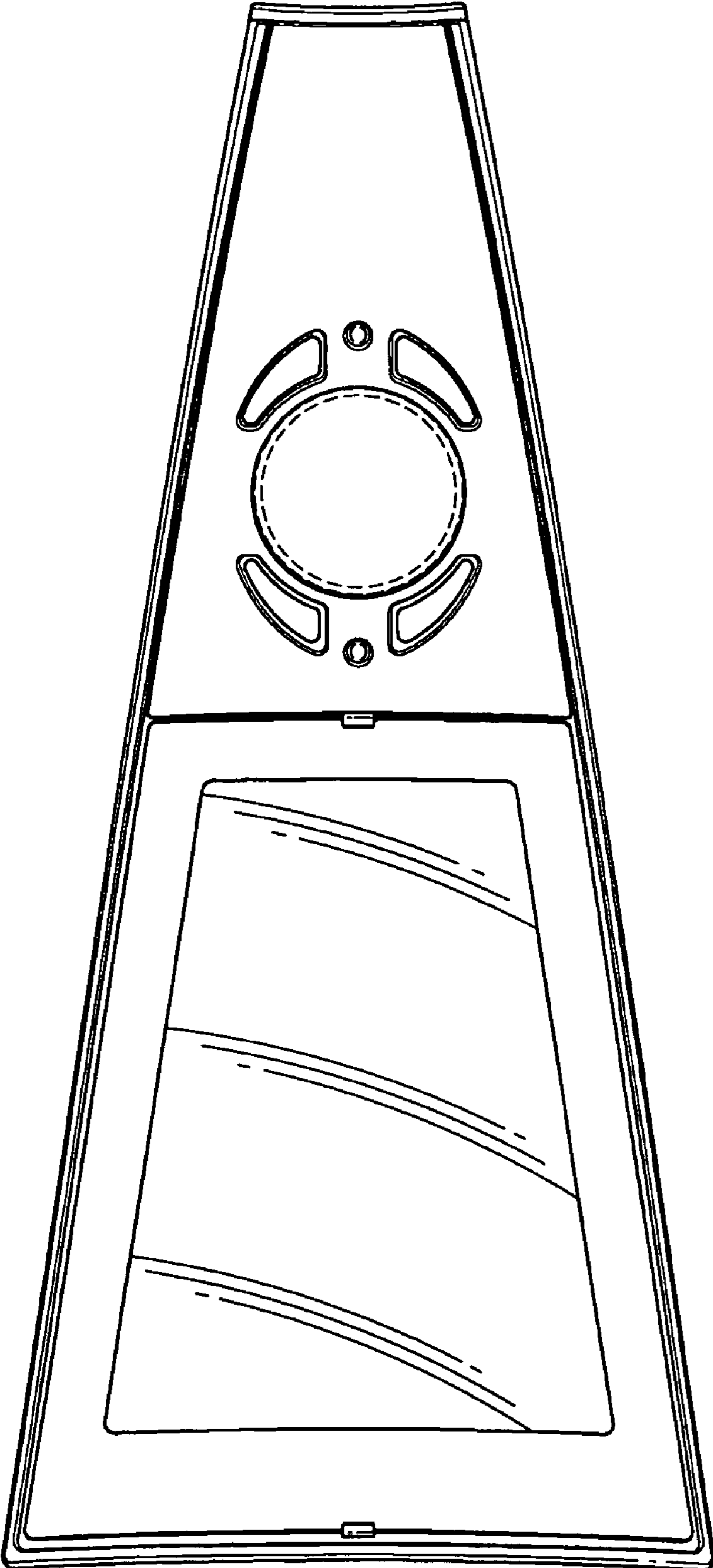


FIG. 6