



US00D609379S

(12) **United States Design Patent**  
**Lee**

(10) **Patent No.:** **US D609,379 S**  
(45) **Date of Patent:** **\*\* Feb. 2, 2010**

(54) **LAMP FOR BIKES**

(76) Inventor: **Wen-Sung Lee**, No. 72, Chaoguei Rd.,  
Situn District, Taichung City (TW)

(\*\*) Term: **14 Years**

(21) Appl. No.: **29/325,517**

(22) Filed: **Oct. 1, 2008**

(51) **LOC (9) Cl.** ..... **26-05**

(52) **U.S. Cl.** ..... **D26/60**

(58) **Field of Classification Search** ..... D26/28,  
D26/37, 60; 362/191, 196, 200, 396, 473-476  
See application file for complete search history.

(56) **References Cited**

U.S. PATENT DOCUMENTS

3,112,889	A	*	12/1963	Marmo et al.	.....	362/103
D324,577	S	*	3/1992	Tsuyama	.....	D26/28
D390,678	S	*	2/1998	Matthes	.....	D26/37
D441,471	S	*	5/2001	Nagano	.....	D26/28
6,270,234	B1	*	8/2001	Au-Yeung	.....	362/200
D497,444	S	*	10/2004	Okuda et al.	.....	D26/28
D520,155	S	*	5/2006	Okuda	.....	D26/28
D541,447	S	*	4/2007	Ueda et al.	.....	D26/28

D541,965	S	*	5/2007	Shiu	.....	D26/60
D561,920	S	*	2/2008	Ueda et al.	.....	D26/28
D569,023	S	*	5/2008	Lee	.....	D26/60

\* cited by examiner

*Primary Examiner*—Clare E Heflin  
(74) *Attorney, Agent, or Firm*—Banger Shia

(57) **CLAIM**

I claim the ornamental design for a lamp for bikes, as shown and described.

**DESCRIPTION**

FIG. 1 is a perspective view of a lamp for bikes, showing my new design;

FIG. 2 is a front elevational view thereof;

FIG. 3 is a rear elevational view thereof;

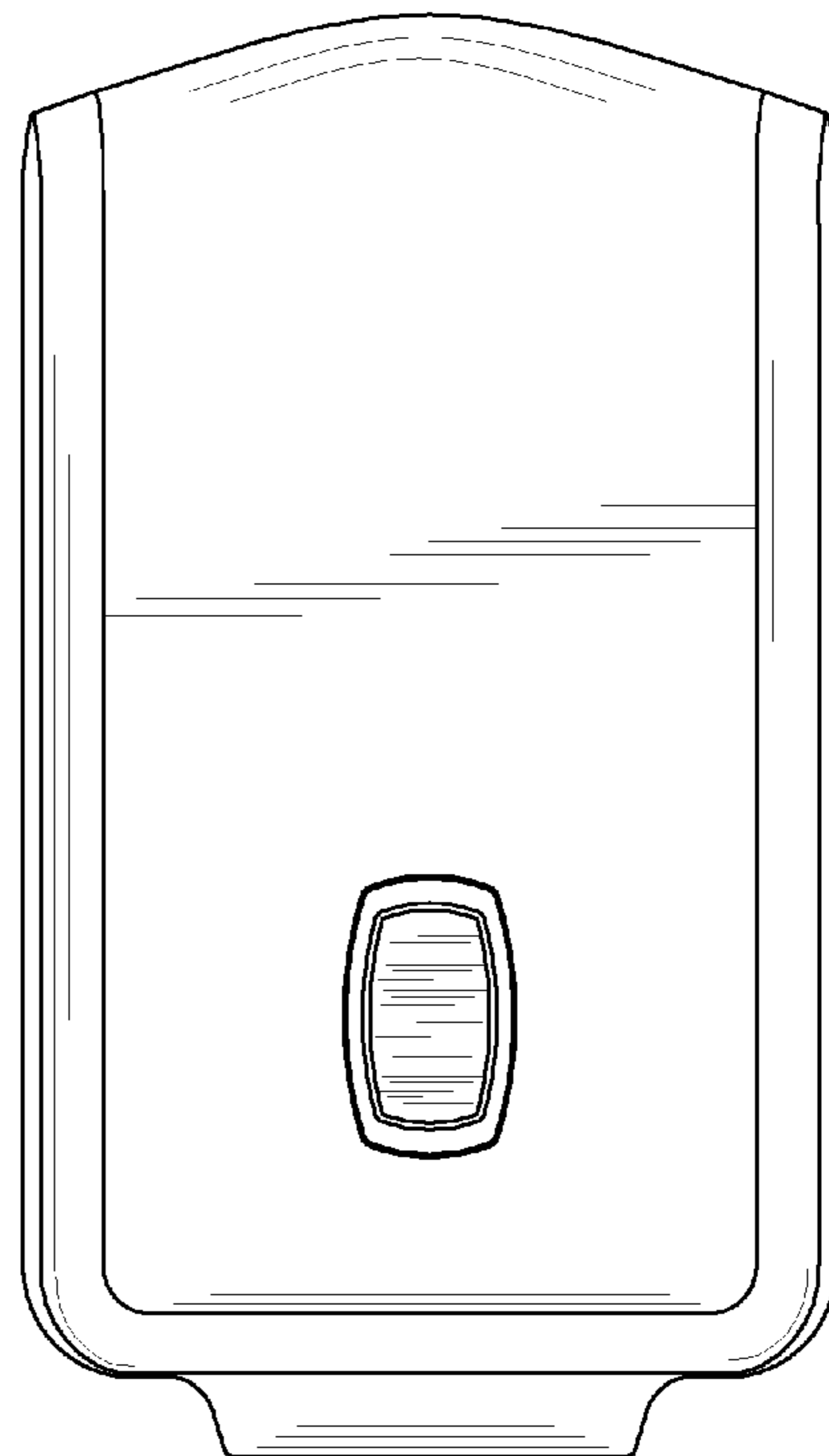
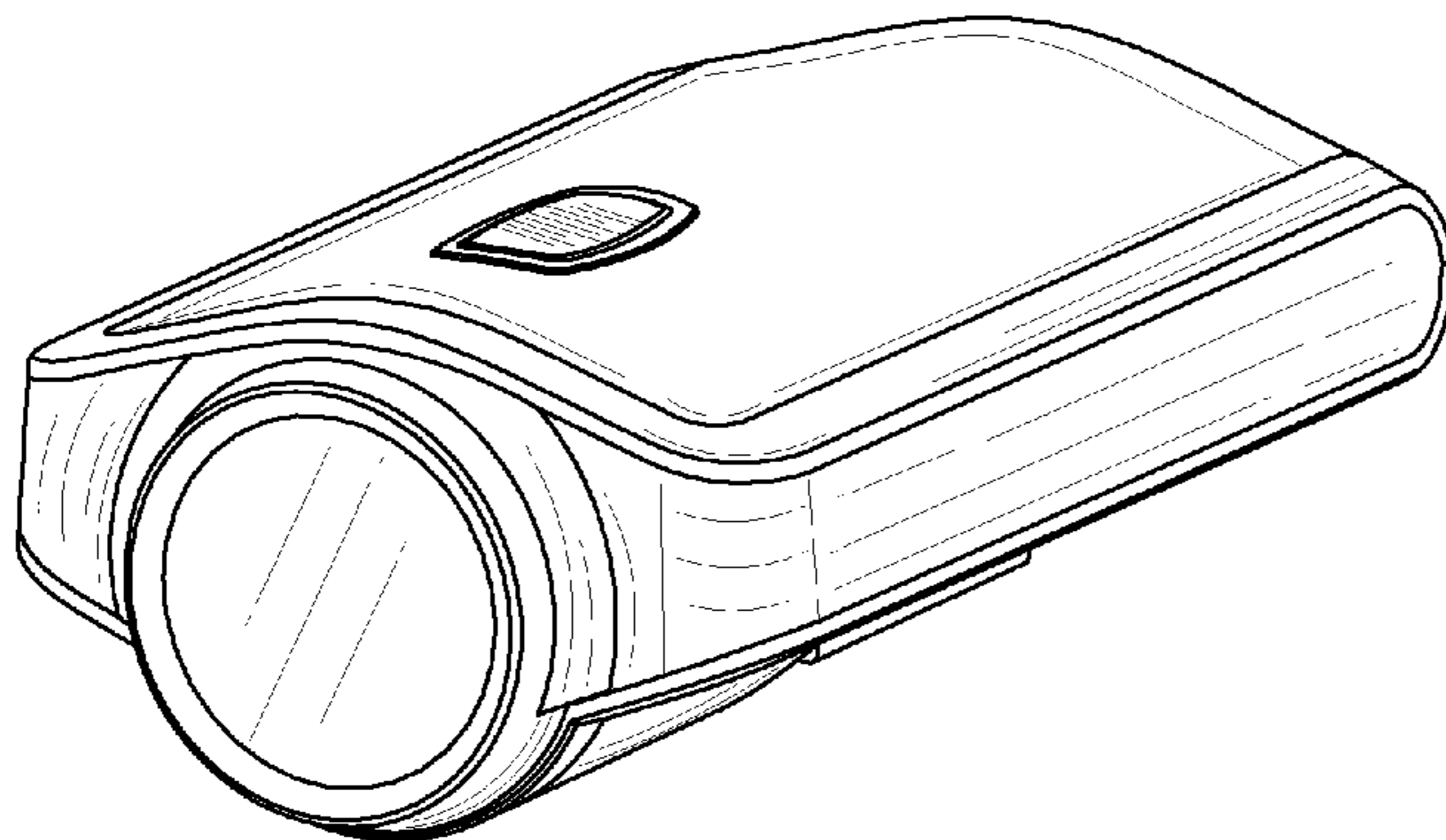
FIG. 4 is a left side elevational view thereof;

FIG. 5 is a right side elevational view thereof;

FIG. 6 is a top plan view thereof; and,

FIG. 7 is a bottom plan view thereof.

**1 Claim, 5 Drawing Sheets**



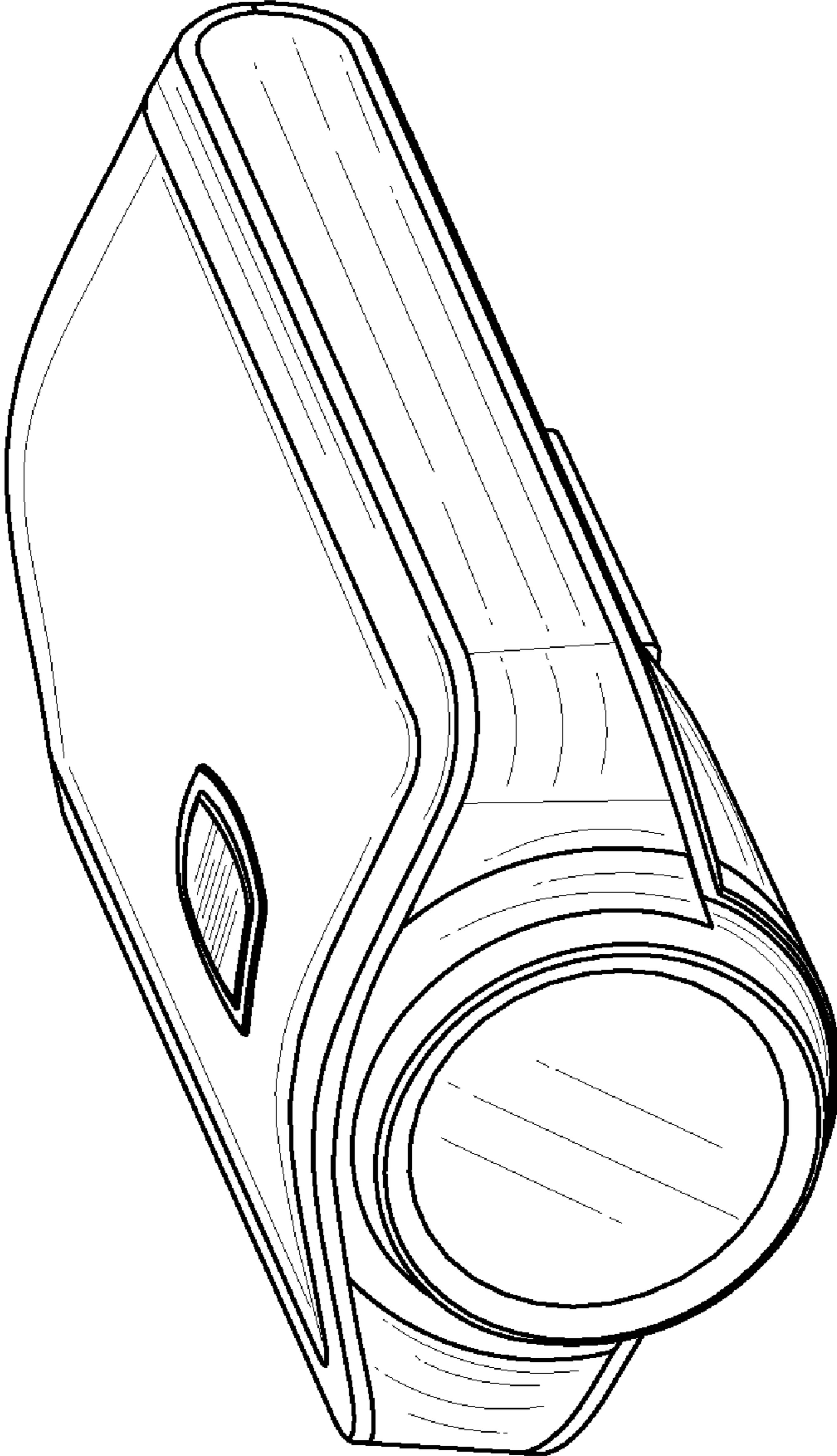


FIG. 1

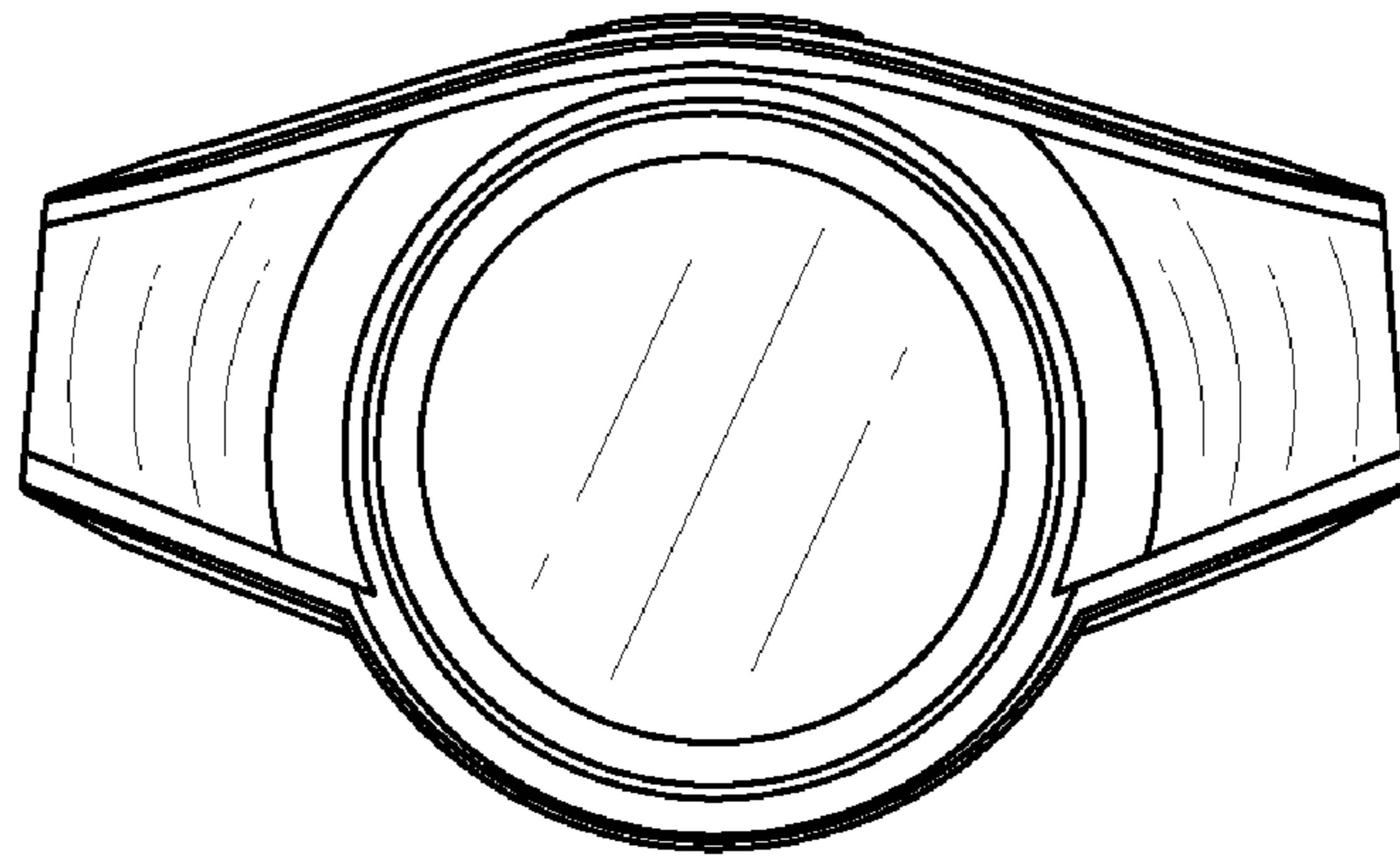


FIG. 2

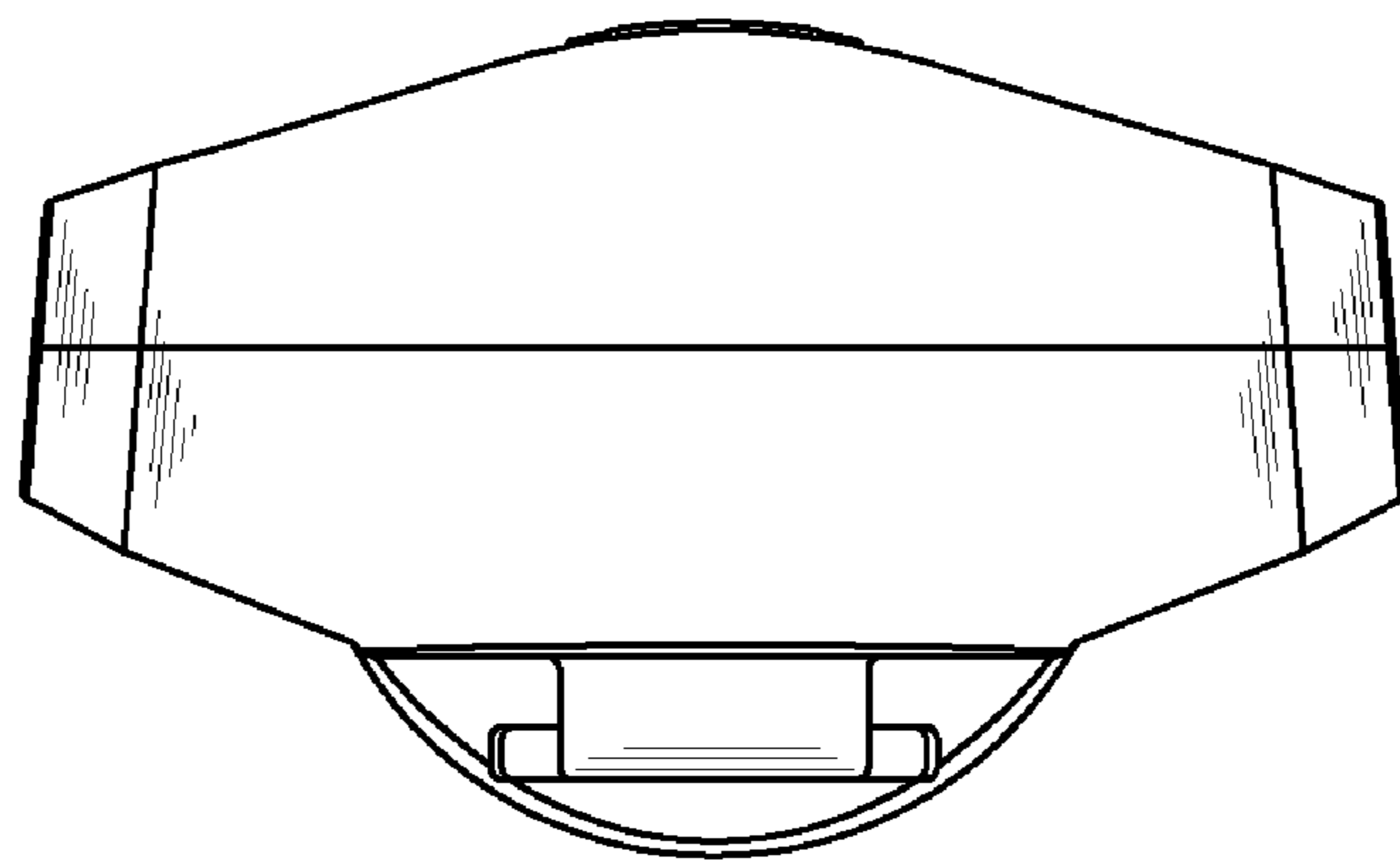


FIG. 3

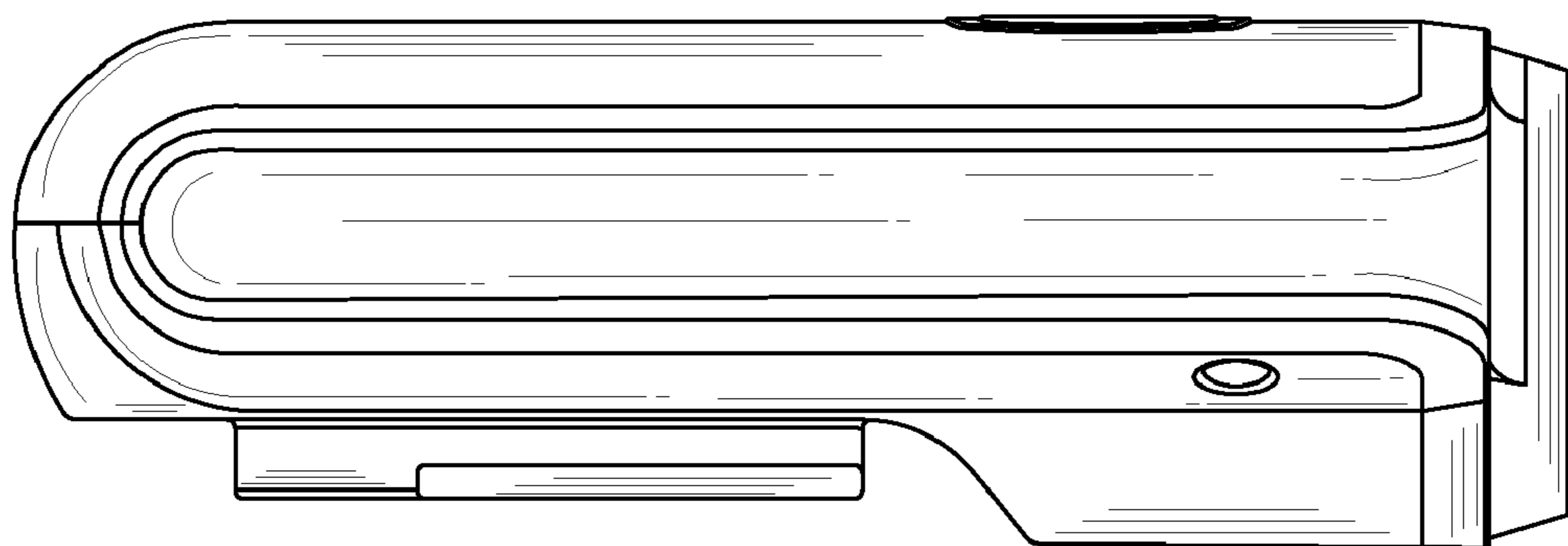


FIG. 4

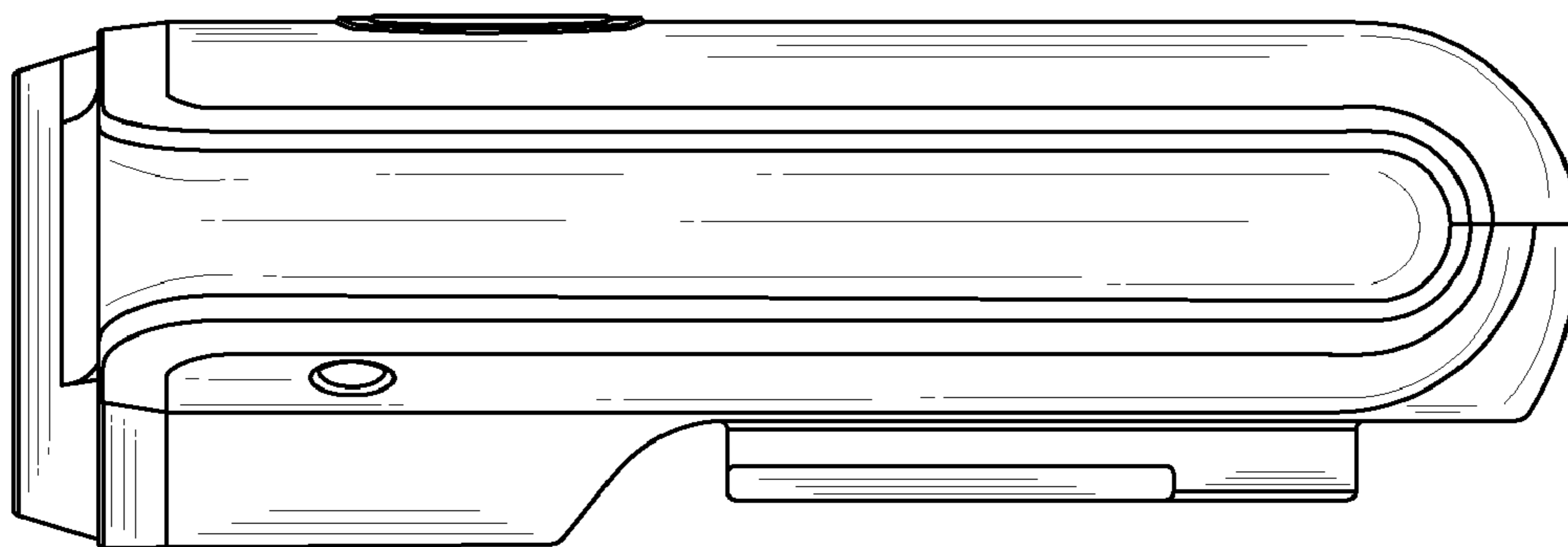


FIG. 5

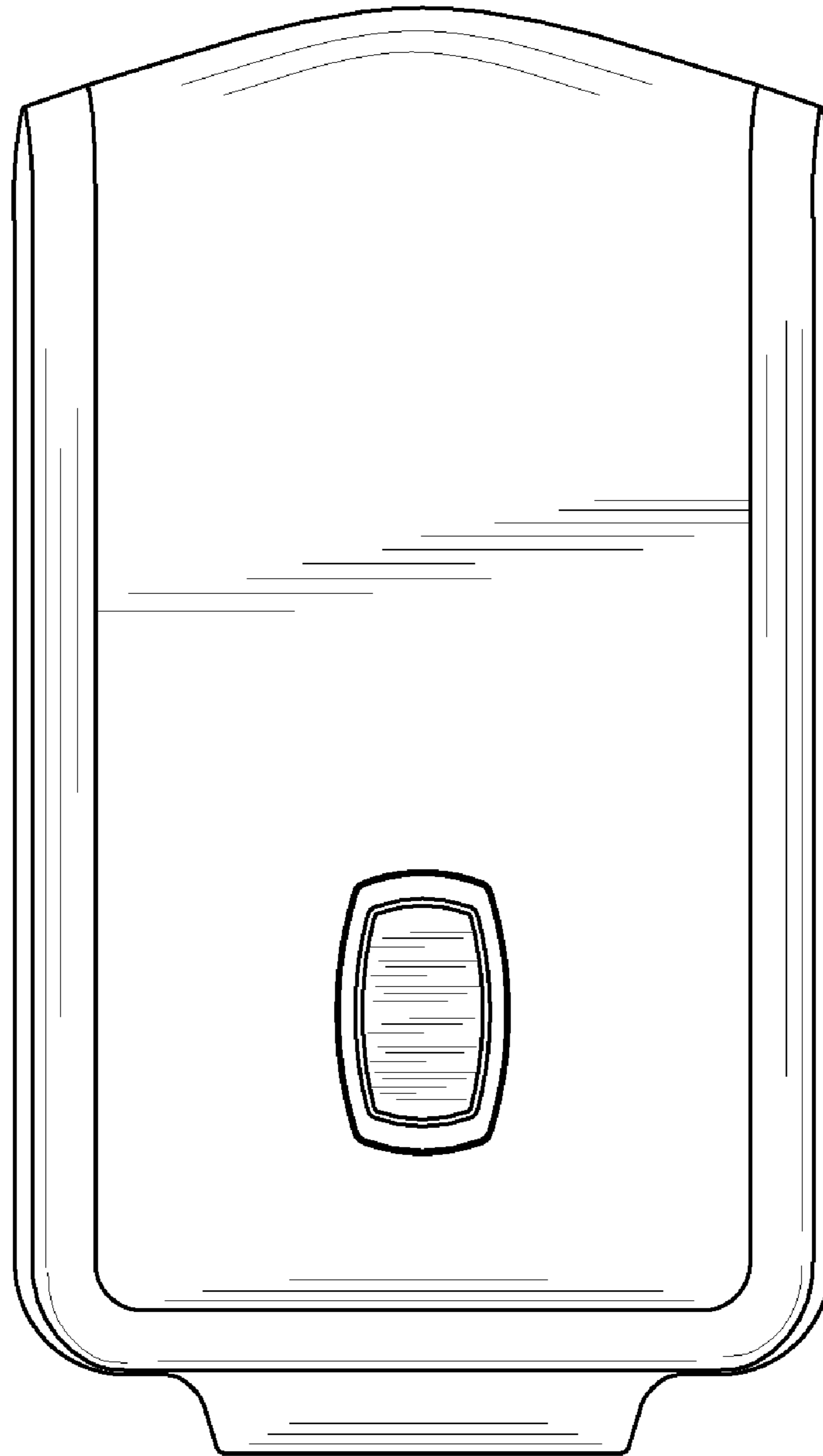


FIG.6

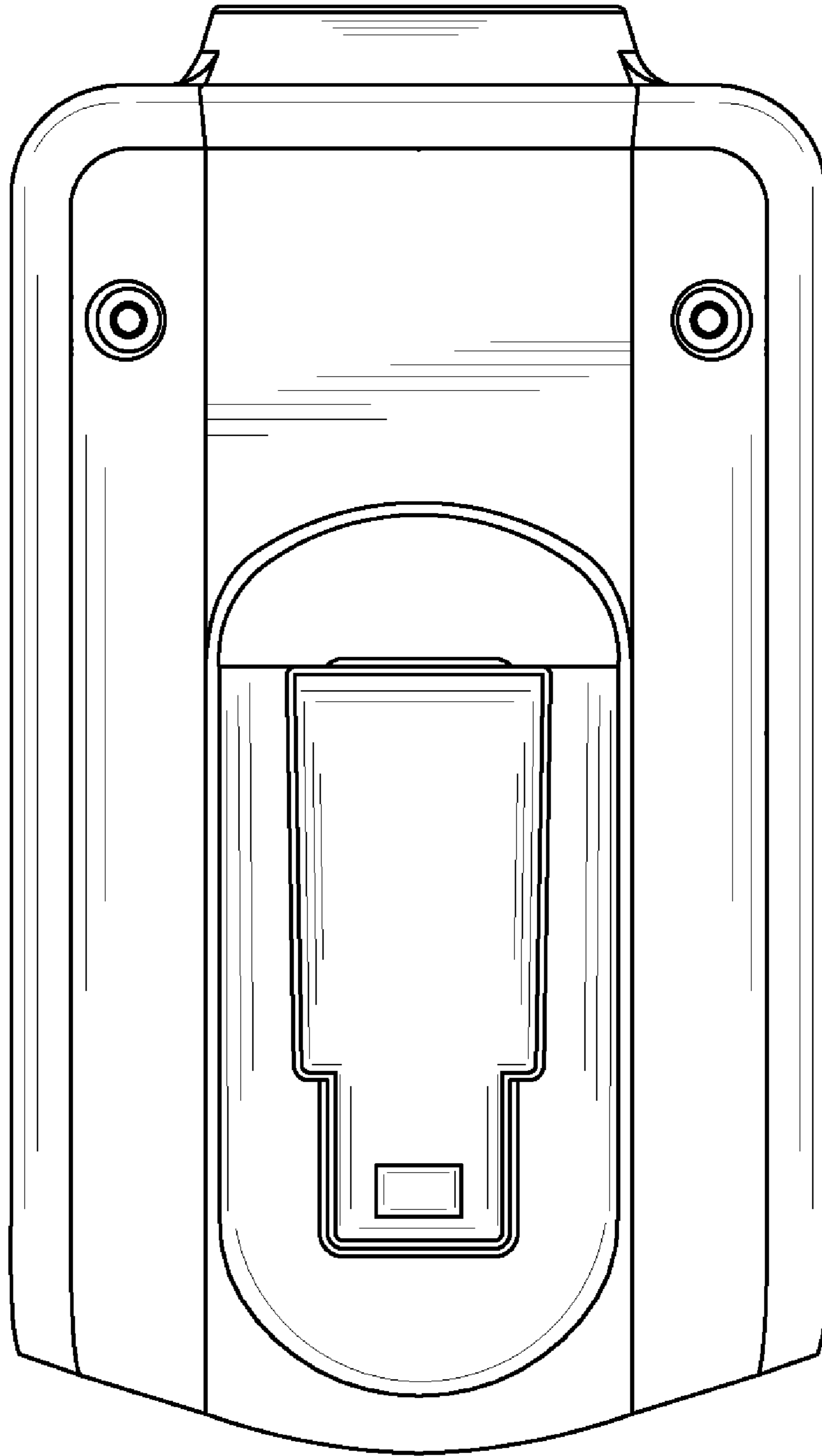


FIG. 7