



US00D609378S

(12) **United States Design Patent**  
**Lee**

(10) **Patent No.:** **US D609,378 S**

(45) **Date of Patent:** **\*\* Feb. 2, 2010**

(54) **LAMP FOR BIKES**

(76) **Inventor:** **Wen-Sung Lee**, No. 72, Chaoguei Rd.,  
Situn District, Taichung City (TW)

(\*\*) **Term:** **14 Years**

(21) **Appl. No.:** **29/325,516**

(22) **Filed:** **Oct. 1, 2008**

(51) **LOC (9) Cl.** ..... **26-05**

(52) **U.S. Cl.** ..... **D26/60**

(58) **Field of Classification Search** ..... D26/28,  
D26/37, 60; 362/191, 196, 200, 396, 473-476  
See application file for complete search history.

(56) **References Cited**

**U.S. PATENT DOCUMENTS**

D155,617 S	*	10/1949	Marino	.....	D26/60
2,805,326 A	*	9/1957	Schwartz	.....	362/197
3,112,889 A	*	12/1963	Marmo et al.	.....	362/103
D324,577 S	*	3/1992	Tsuyama	.....	D26/28
D346,230 S	*	4/1994	Ueda	.....	D26/28
D346,231 S	*	4/1994	Lai	.....	D26/28
D357,989 S	*	5/1995	Nagano	.....	D26/28

7,070,295 B1	*	7/2006	Lee	.....	362/191
D579,137 S	*	10/2008	Shiu	.....	D26/60
2005/0231940 A1	*	10/2005	Galli	.....	362/196

\* cited by examiner

*Primary Examiner*—Clare E Heflin

(74) *Attorney, Agent, or Firm*—Banger Shia

(57) **CLAIM**

I claim the ornamental design for a lamp for bikes, as shown and described.

**DESCRIPTION**

FIG. 1 is a perspective view of a lamp for bikes, showing my new design;

FIG. 2 is a front elevational view thereof;

FIG. 3 is a rear elevational view thereof;

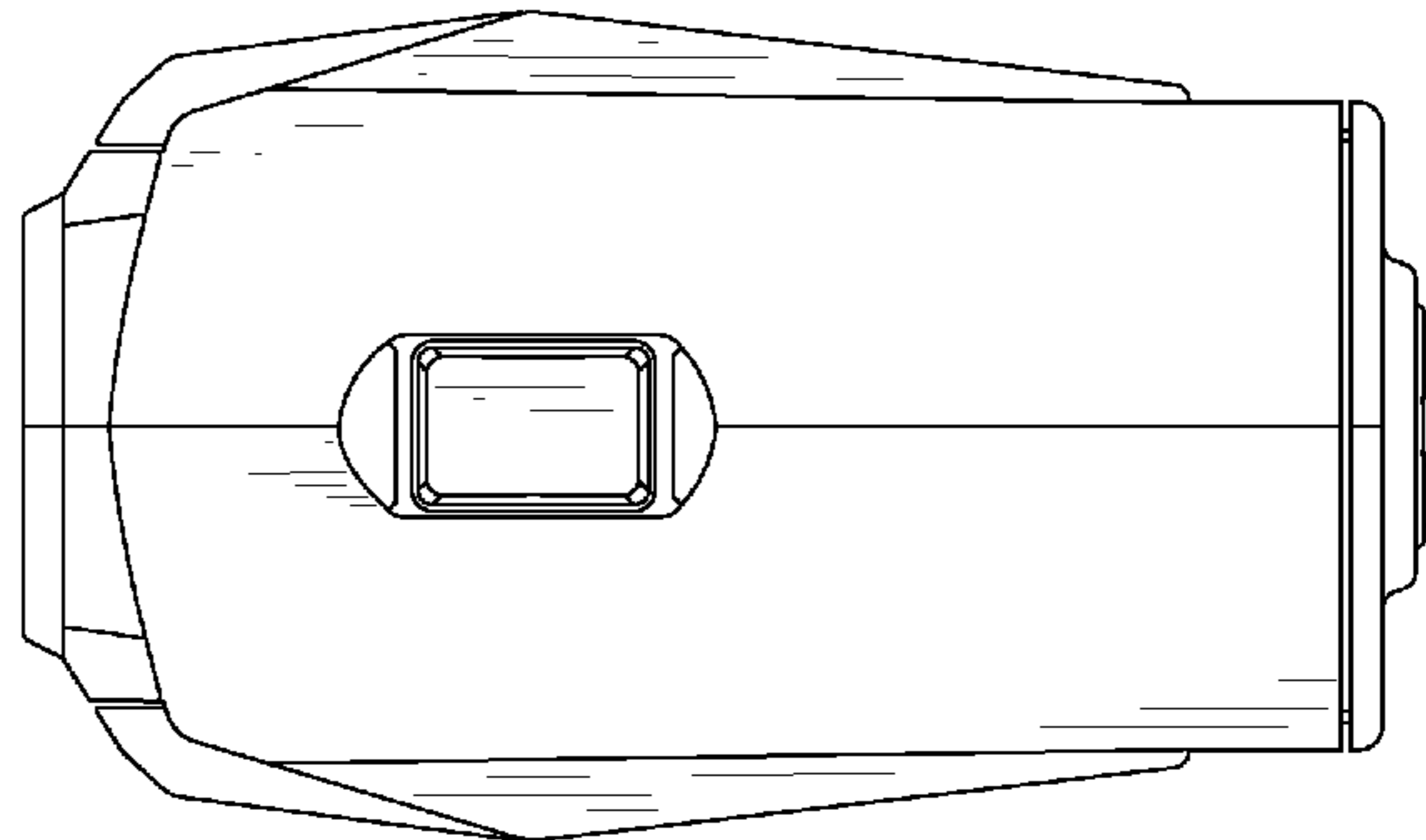
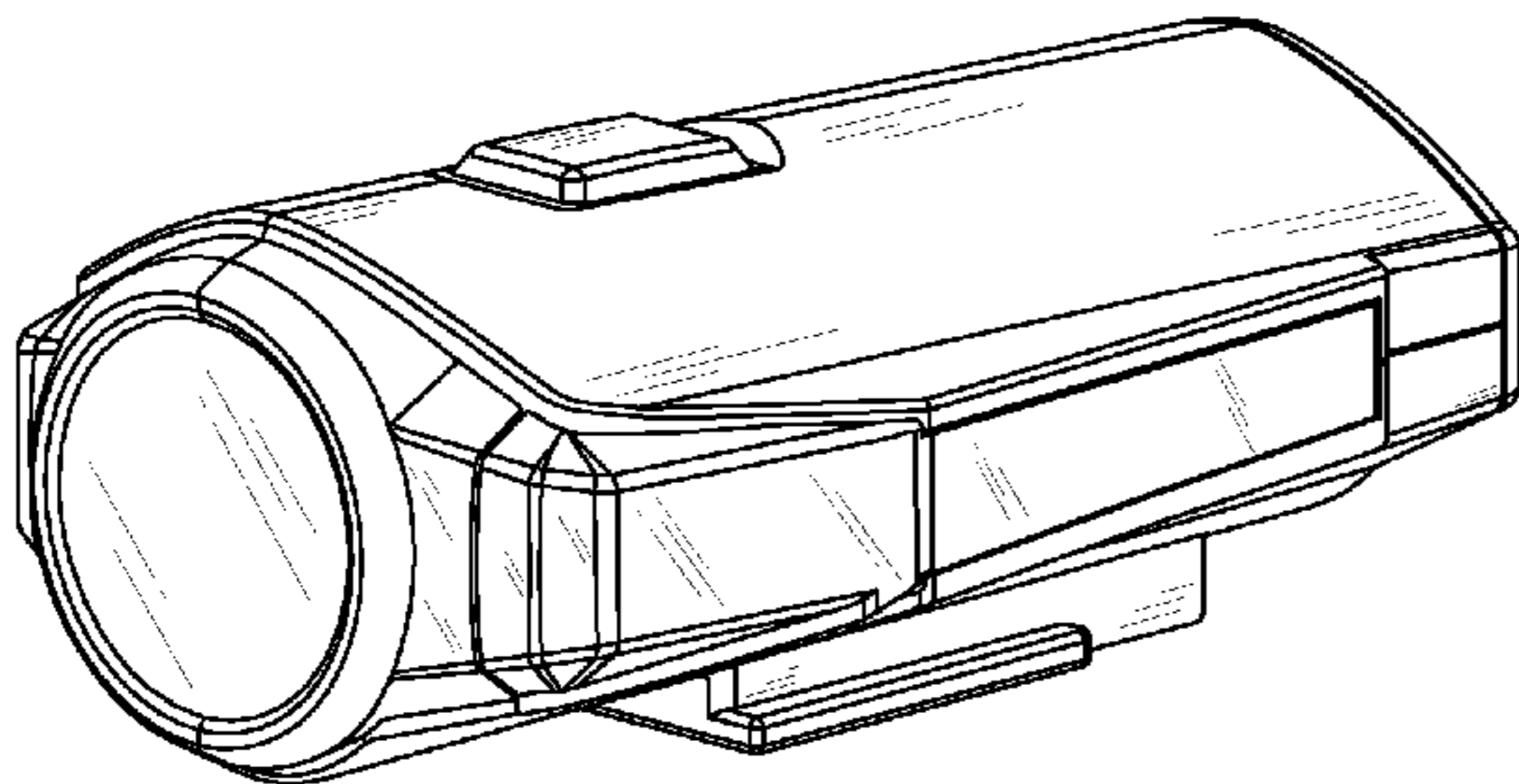
FIG. 4 is a left side elevational view thereof;

FIG. 5 is a right side elevational view thereof;

FIG. 6 is a top plan view thereof; and,

FIG. 7 is a bottom plan view thereof.

**1 Claim, 4 Drawing Sheets**



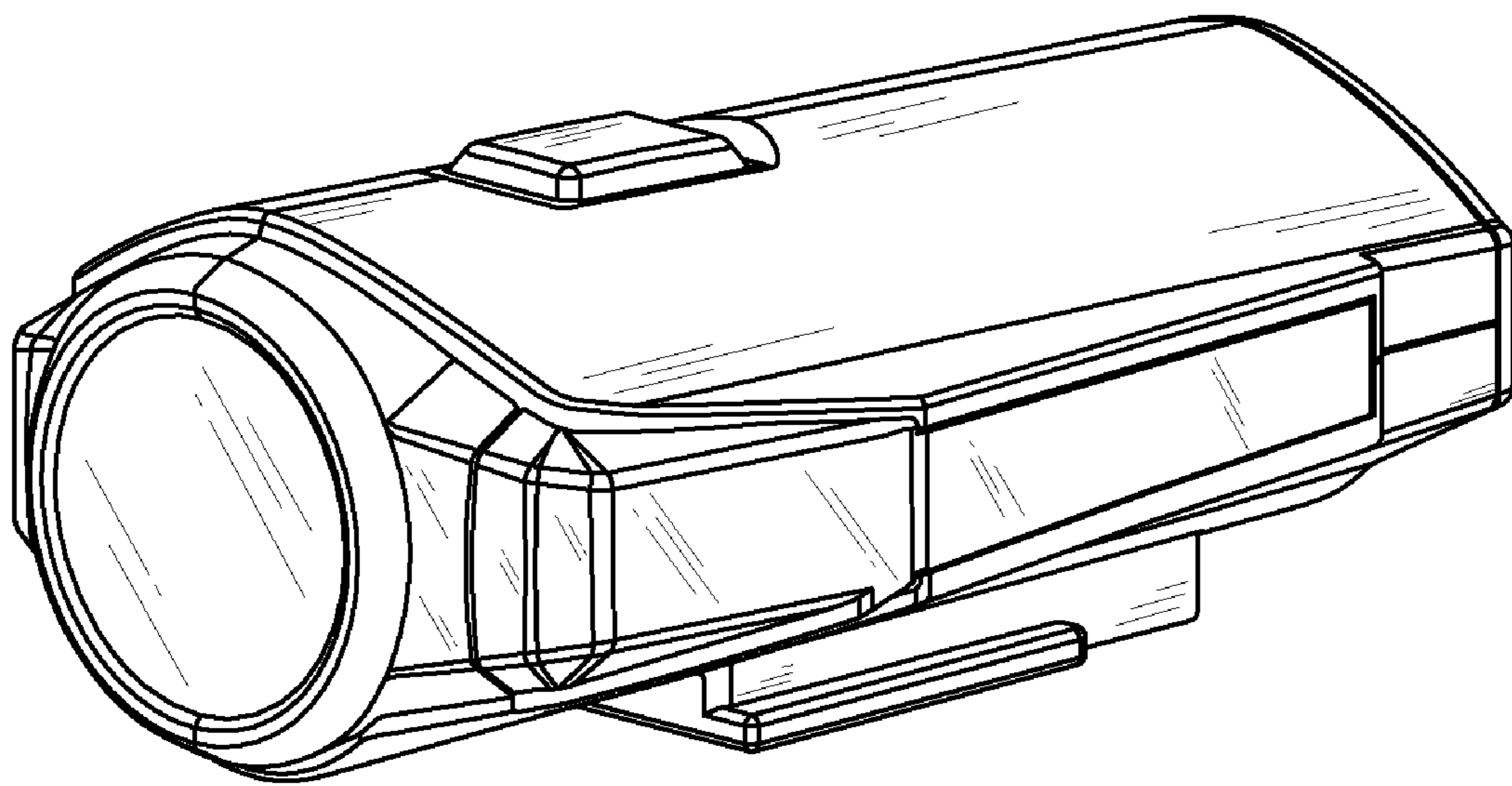


FIG. 1

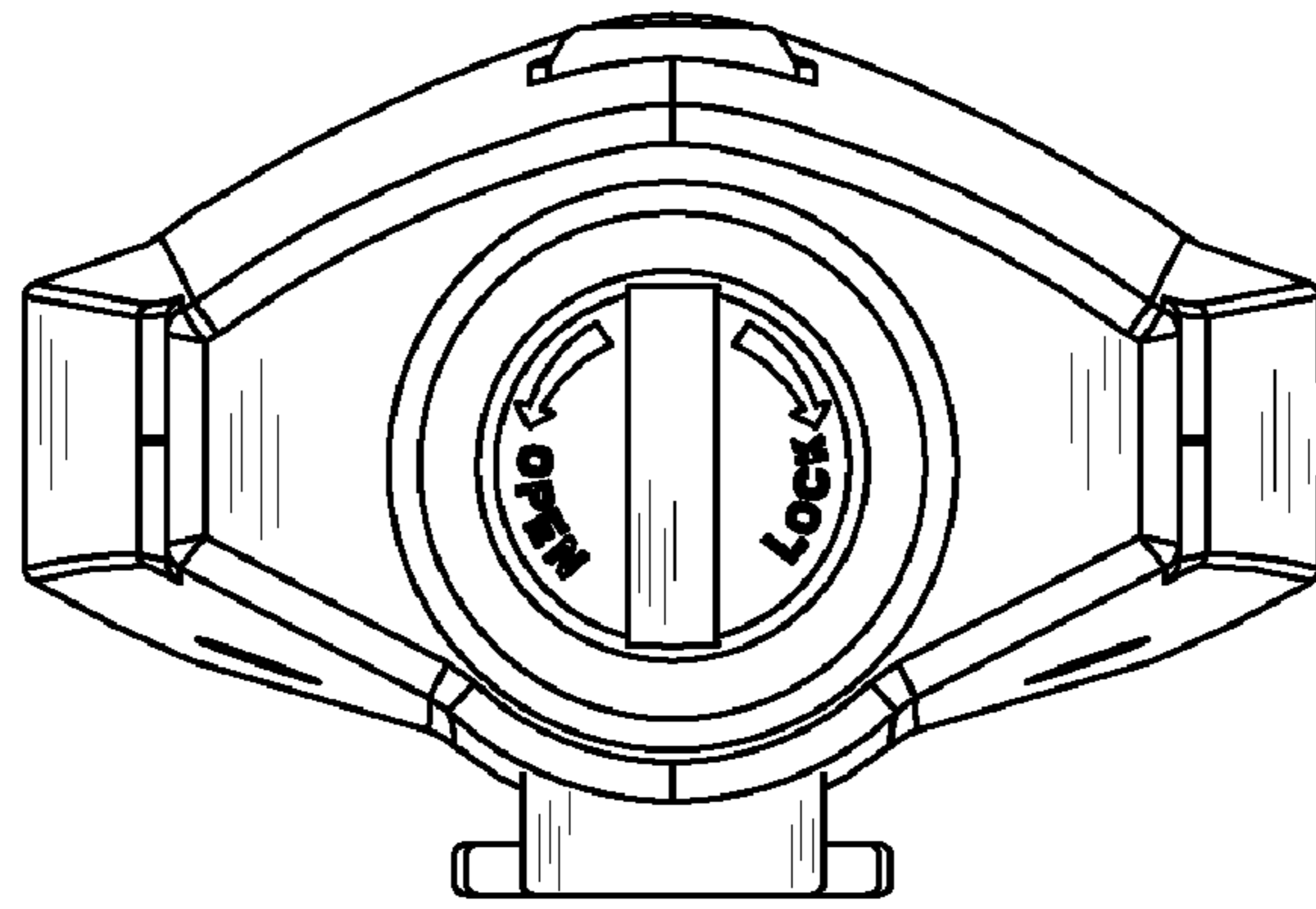


FIG. 2

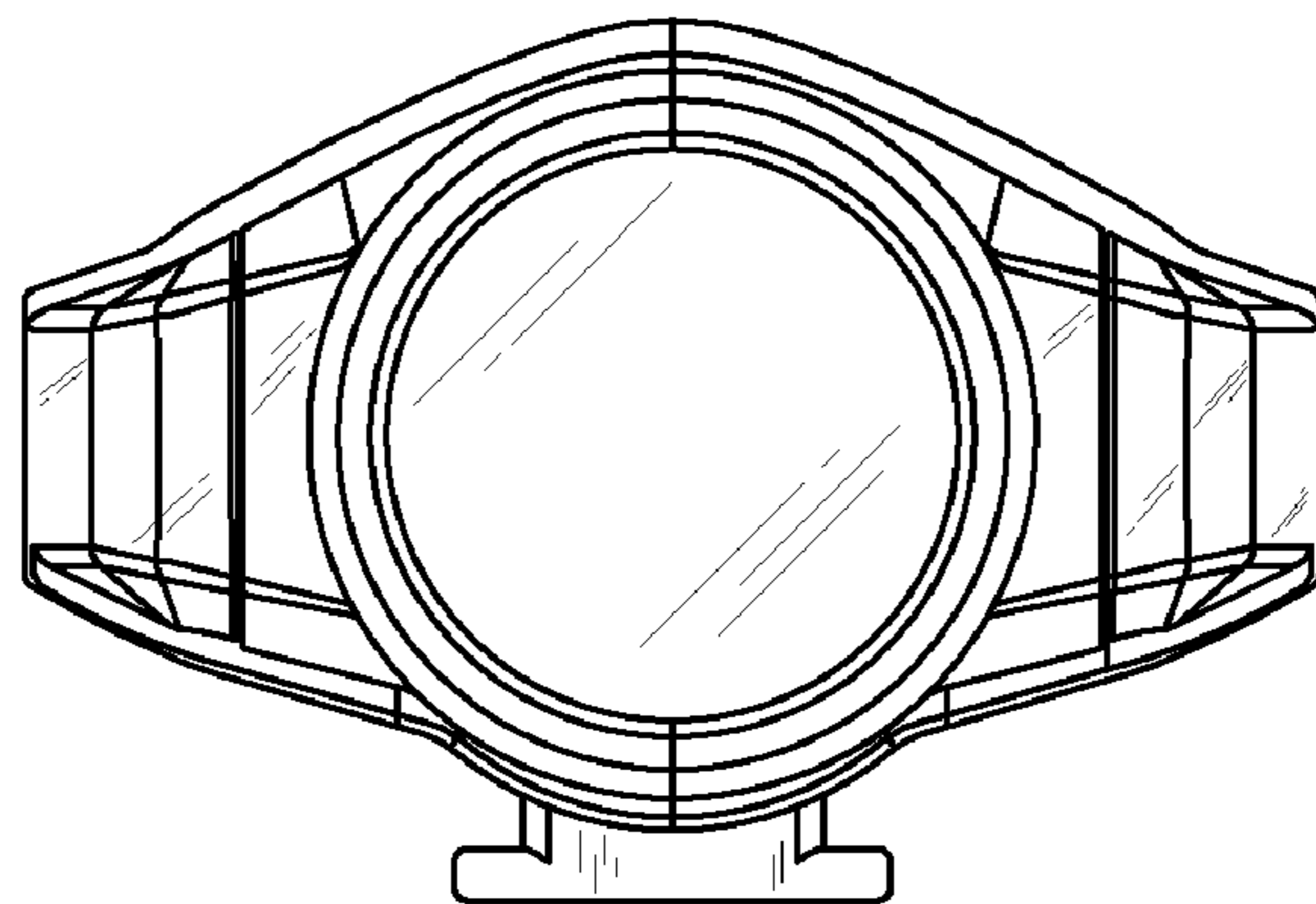


FIG. 3

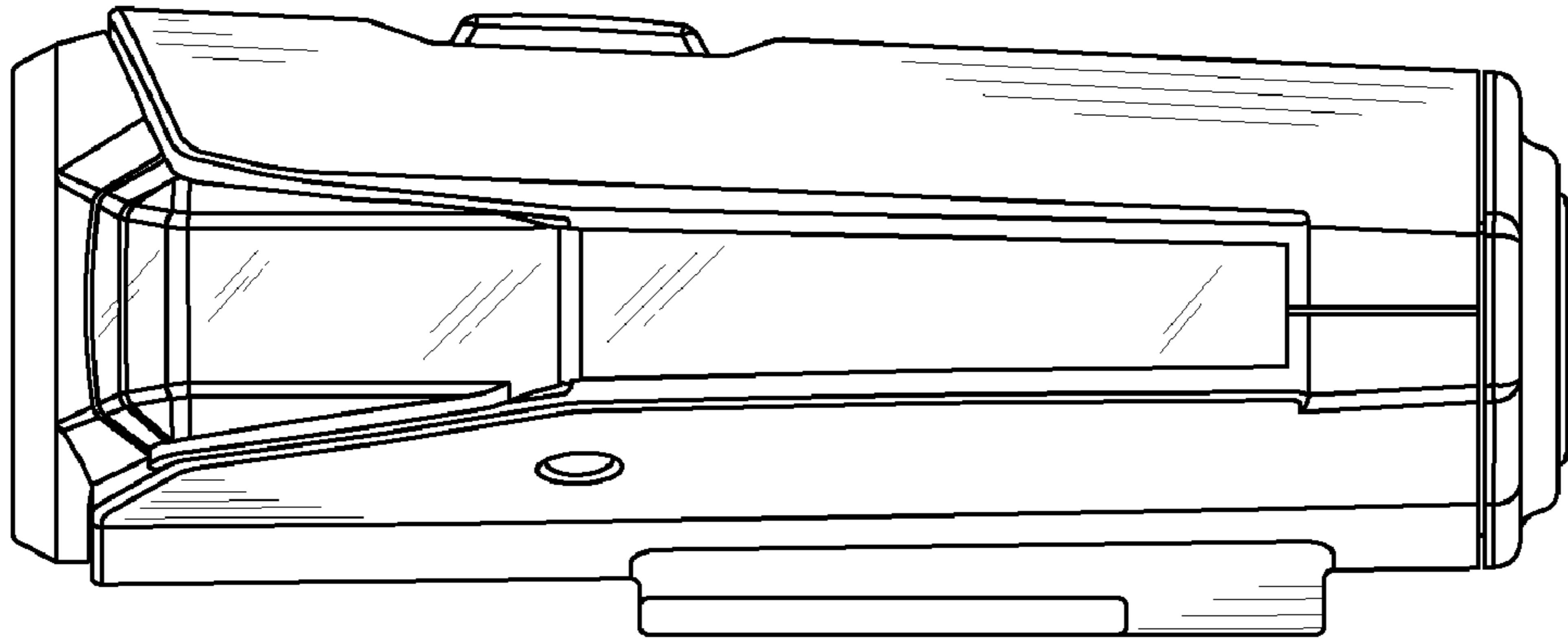


FIG. 4

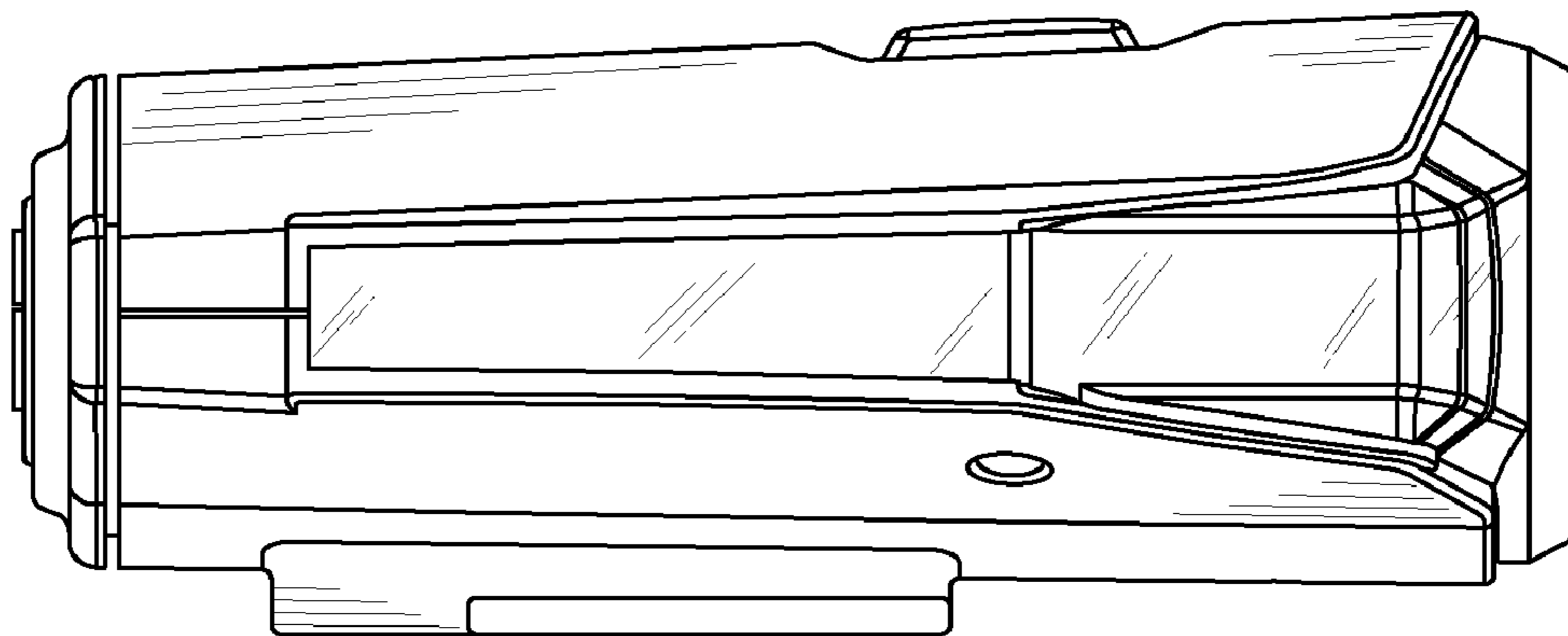


FIG. 5

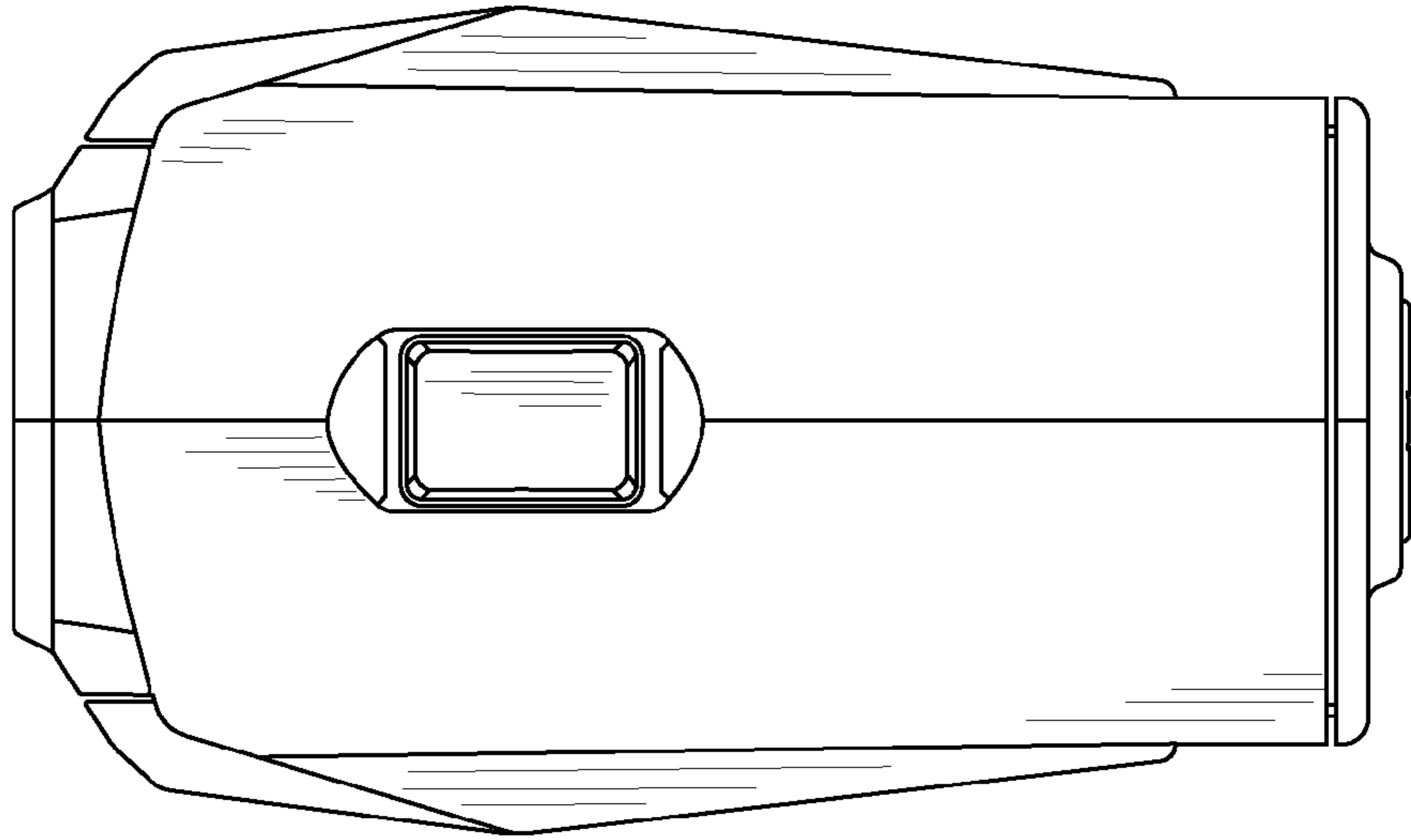


FIG. 6

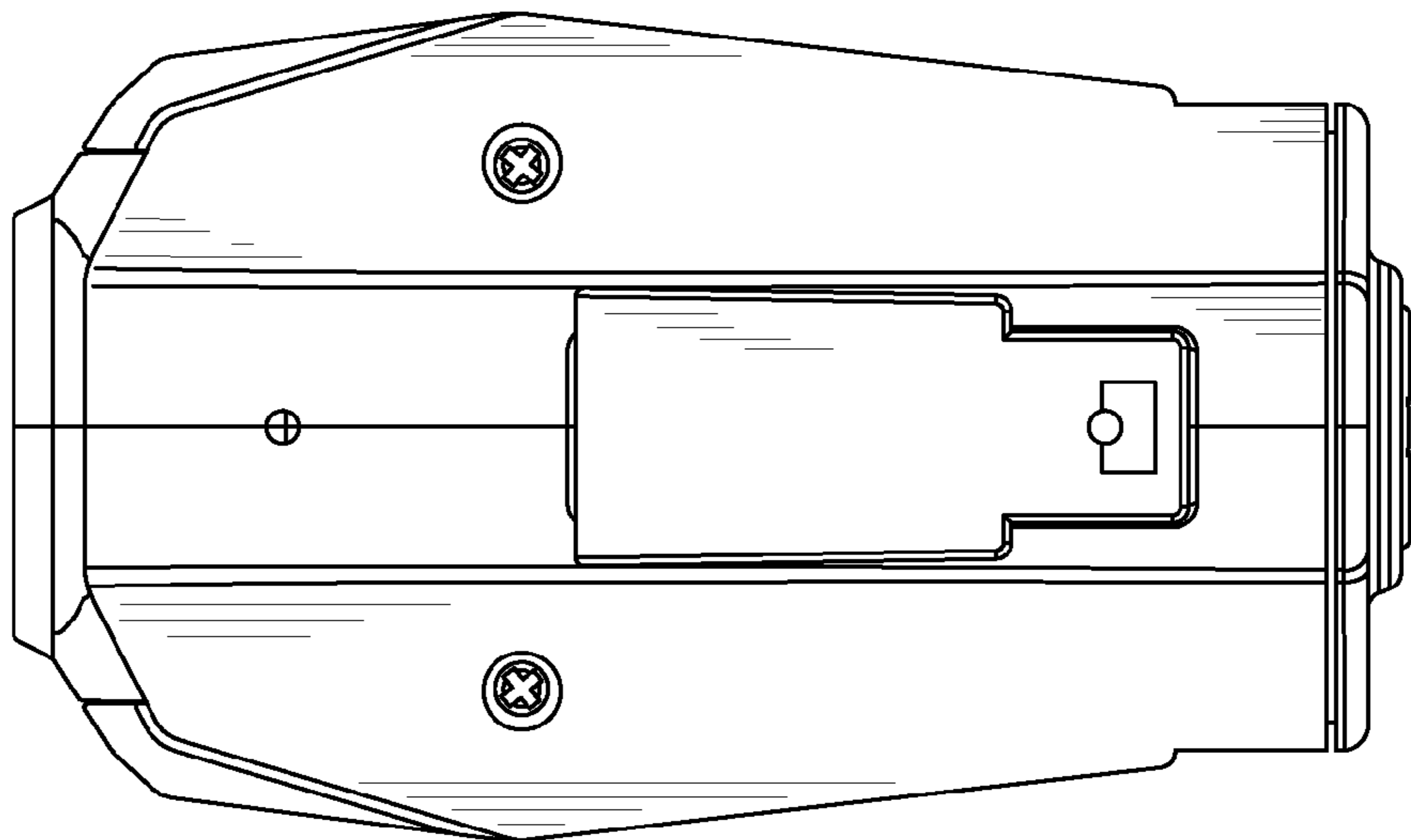


FIG. 7