

US00D609377S

(12) **United States Design Patent**  
**Taiga**

(10) **Patent No.:** **US D609,377 S**

(45) **Date of Patent:** **\*\* Feb. 2, 2010**

(54) **LAMP**

(75) Inventor: **Kei ji Taiga**, Tokyo (JP)

(73) Assignee: **Crops Co., Ltd.**, Tokyo (JP)

(\*\*) Term: **14 Years**

(21) Appl. No.: **29/311,671**

(22) Filed: **May 21, 2009**

(51) **LOC (9) Cl.** ..... **26-05**

(52) **U.S. Cl.** ..... **D26/60**

(58) **Field of Classification Search** ..... D26/28,  
D26/37, 60, 67; 362/191, 196, 200, 396,  
362/473-476

See application file for complete search history.

(56) **References Cited**

**U.S. PATENT DOCUMENTS**

1,695,987	A	*	12/1928	Steindorff	.....	362/396
D287,644	S	*	1/1987	Gierke	.....	D26/60
D300,864	S	*	4/1989	Titmarsh	.....	D26/24
D324,579	S	*	3/1992	Crabtree, Jr.	.....	D26/39
5,788,363	A	*	8/1998	Kamaya et al.	.....	362/486
D397,816	S	*	9/1998	Walls	.....	D26/28
D438,653	S	*	3/2001	Ljungstrom	.....	D26/28

7,036,627	B2	*	5/2006	Costa et al.	.....	362/109
D524,959	S	*	7/2006	Shiu	.....	D26/28
D524,974	S	*	7/2006	Zernov	.....	D26/60
D542,450	S	*	5/2007	Shiu	.....	D26/60
D577,846	S	*	9/2008	LaBuzetta	.....	D26/60

\* cited by examiner

*Primary Examiner*—Clare E Heflin

(74) *Attorney, Agent, or Firm*—Rosenberg, Klein & Lee

(57) **CLAIM**

The ornamental design for lamp, as shown and described.

**DESCRIPTION**

FIG. 1 is a perspective view of the lamp showing my new design;

FIG. 2 is a front elevational view thereof;

FIG. 3 is a rear elevational view thereof;

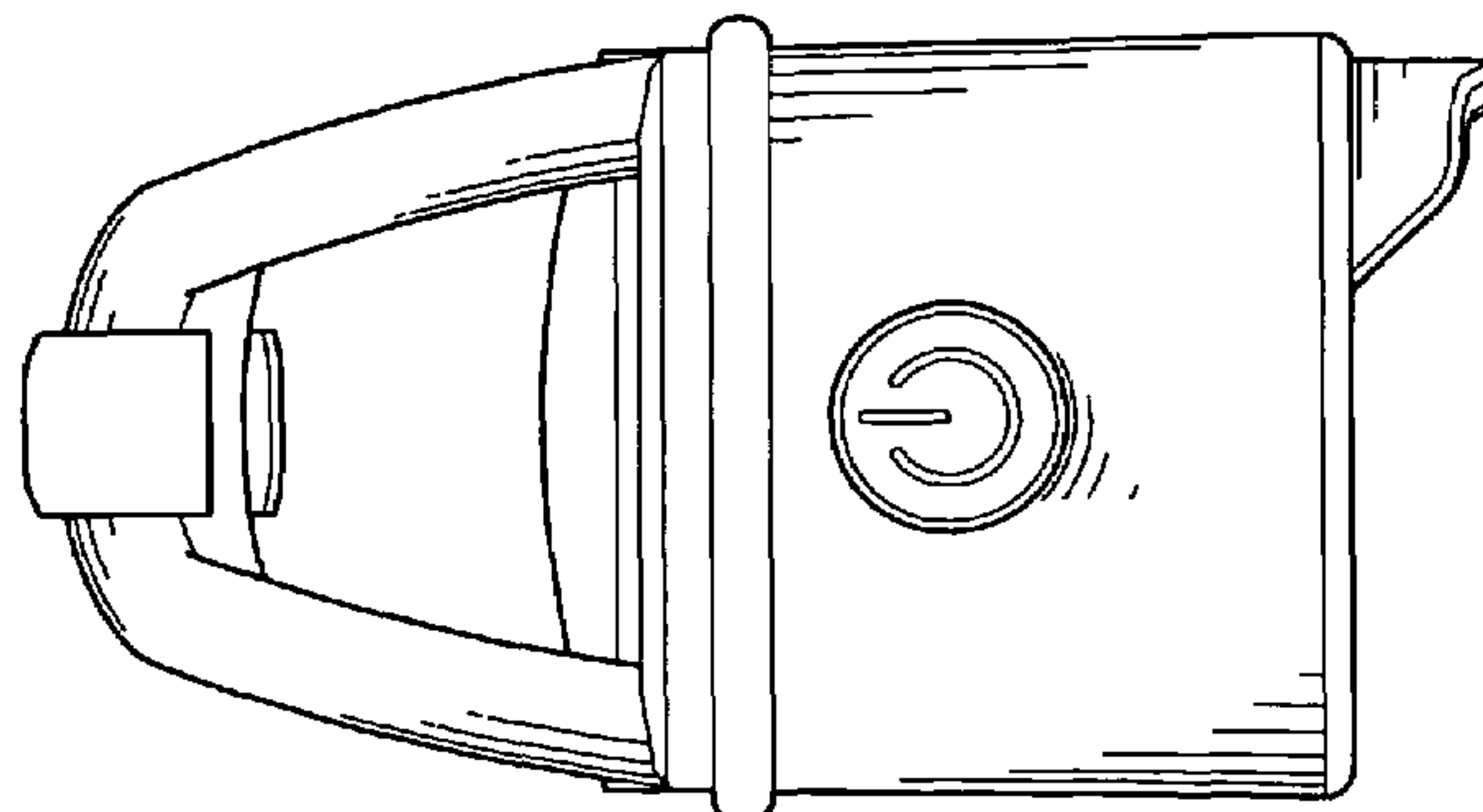
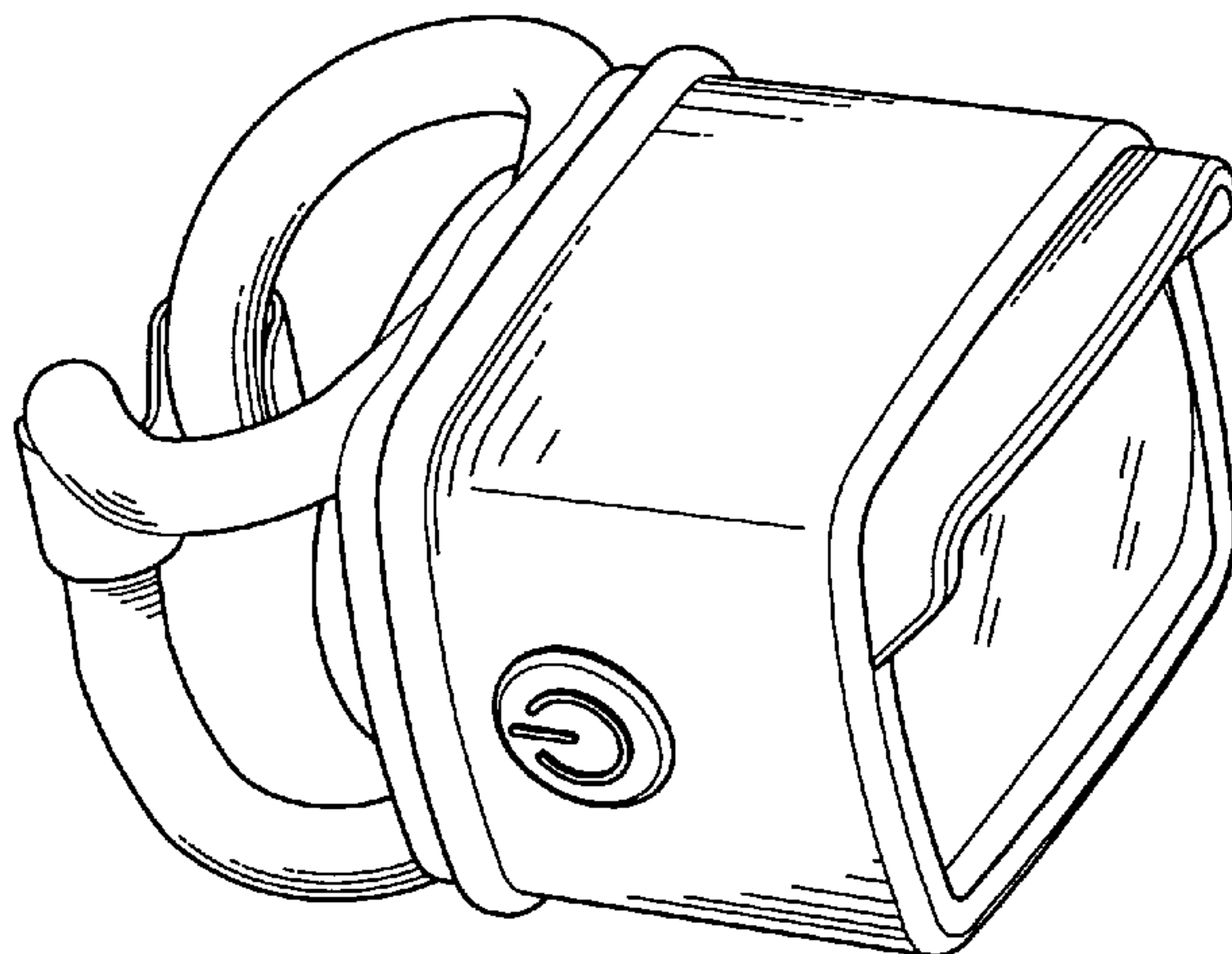
FIG. 4 is a left elevational view thereof,

FIG. 5 is a right elevational view thereof,

FIG. 6 is a top plan view thereof; and,

FIG. 7 is a bottom plan view thereof.

**1 Claim, 7 Drawing Sheets**



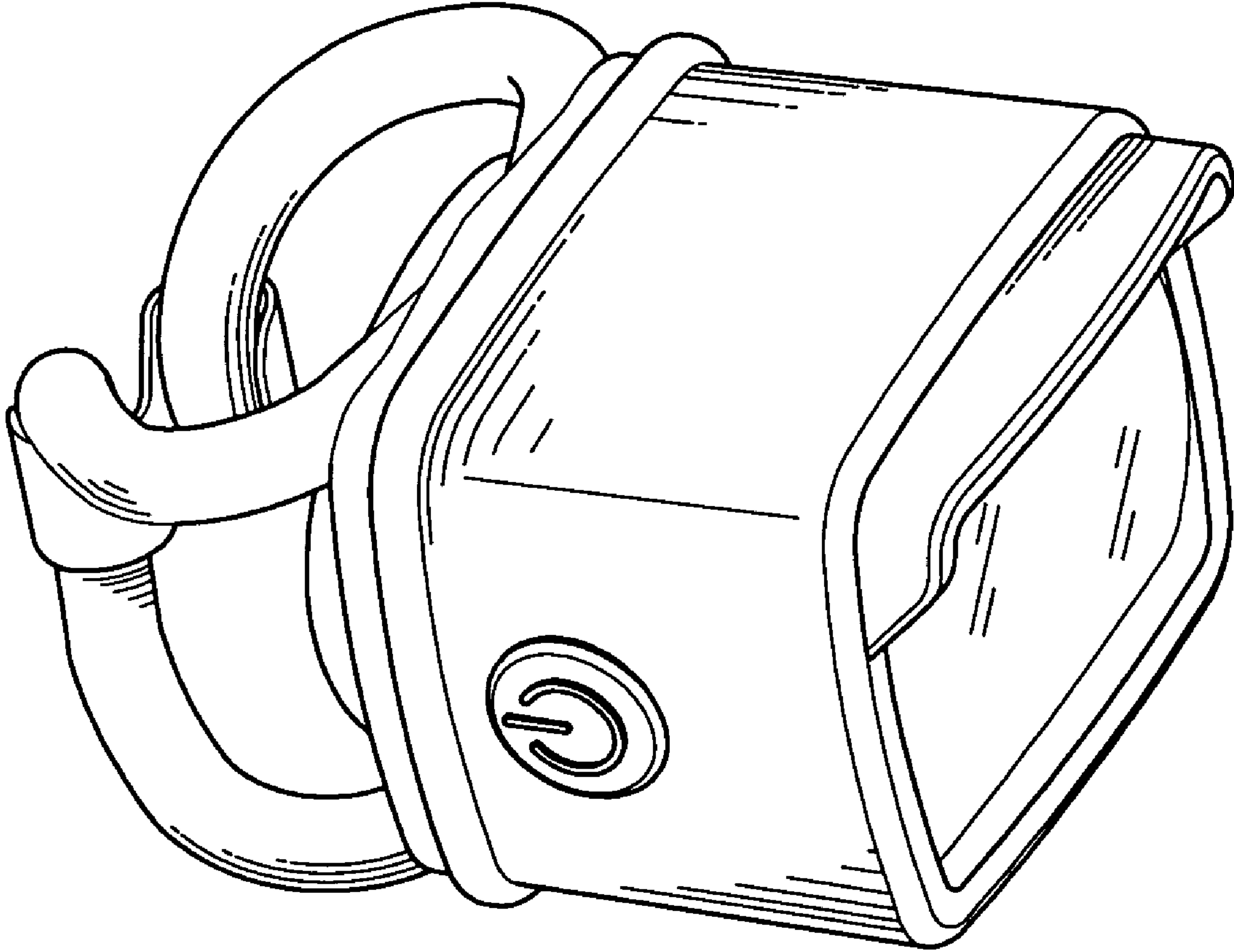


FIG. 1

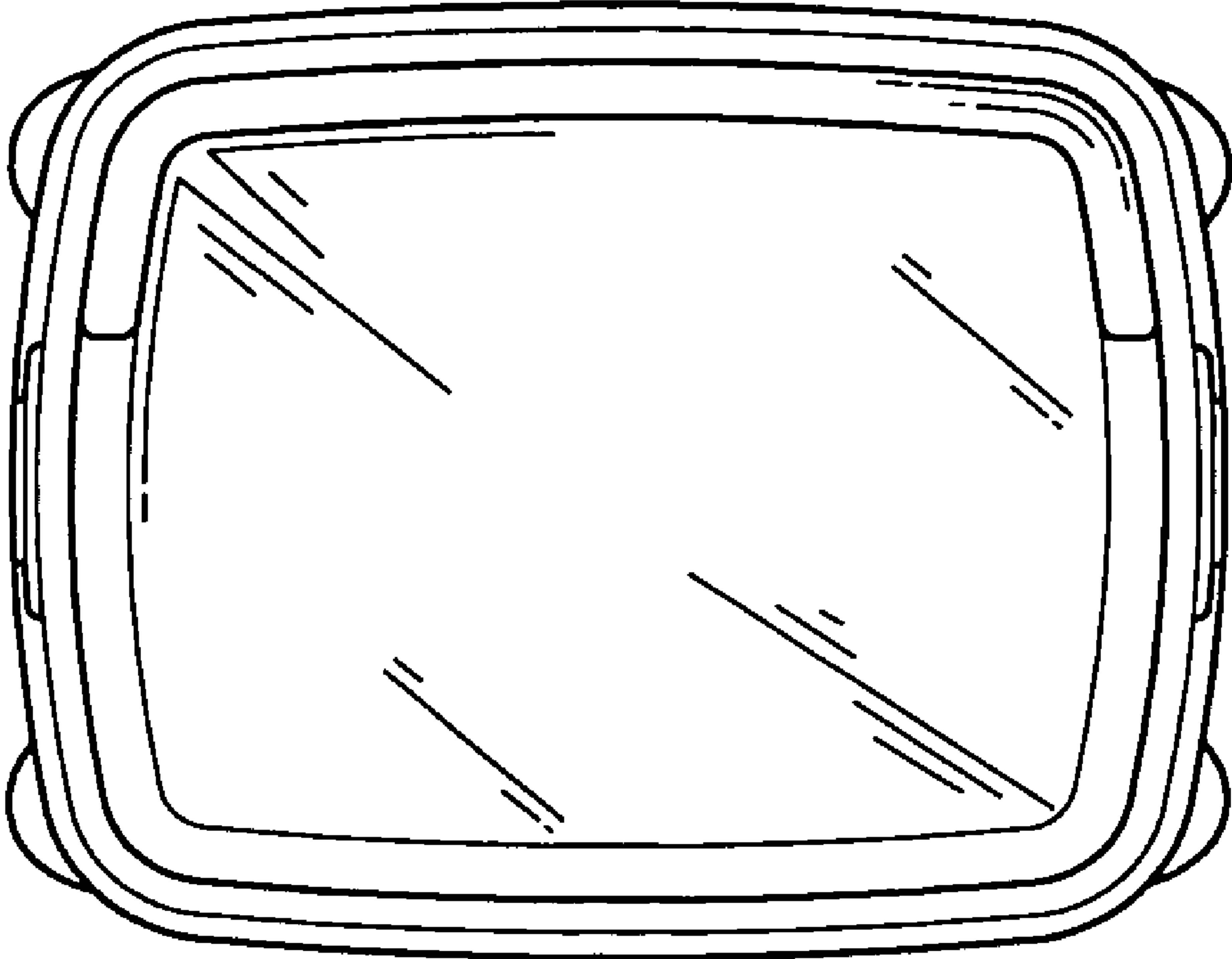


FIG. 2

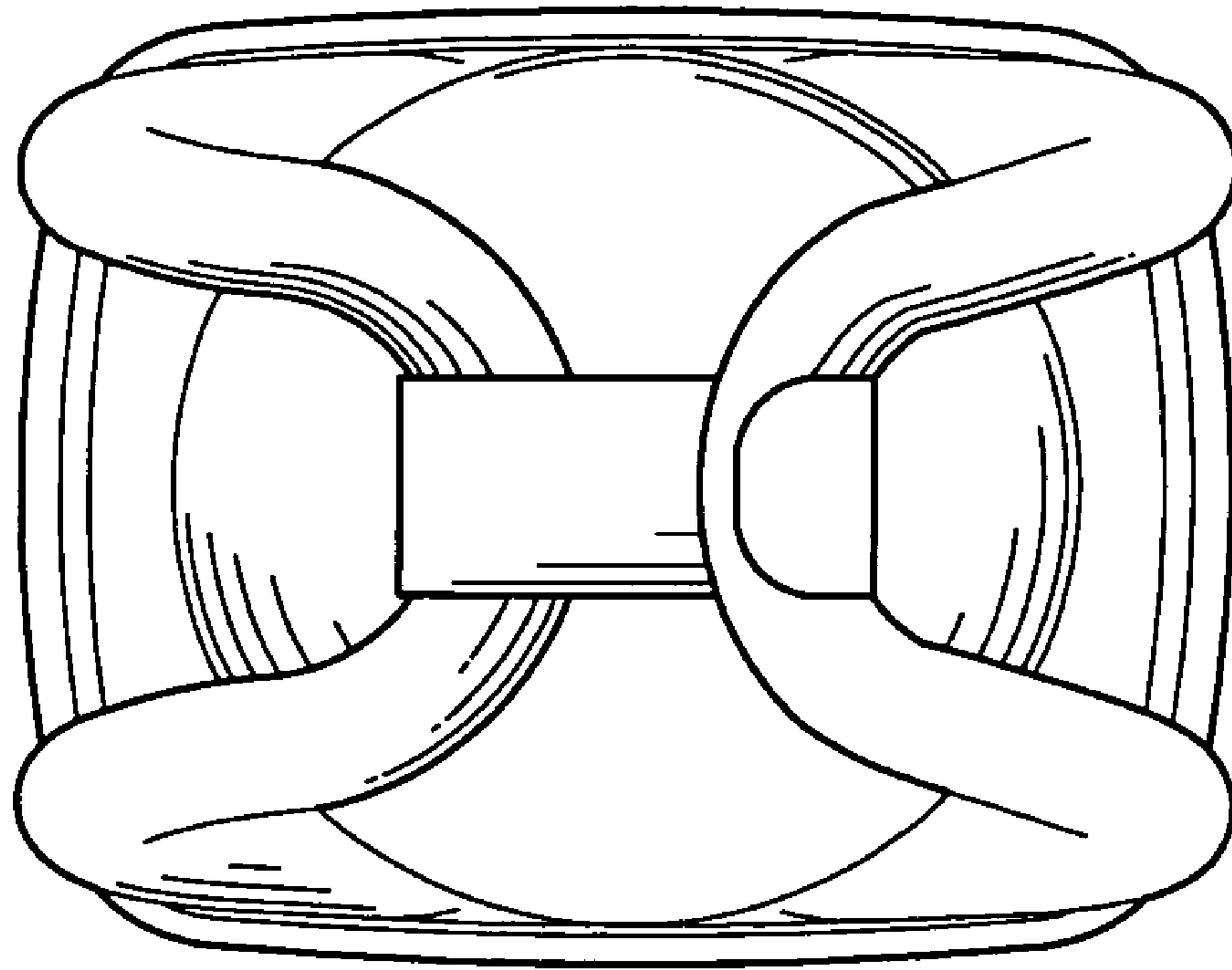


FIG. 3

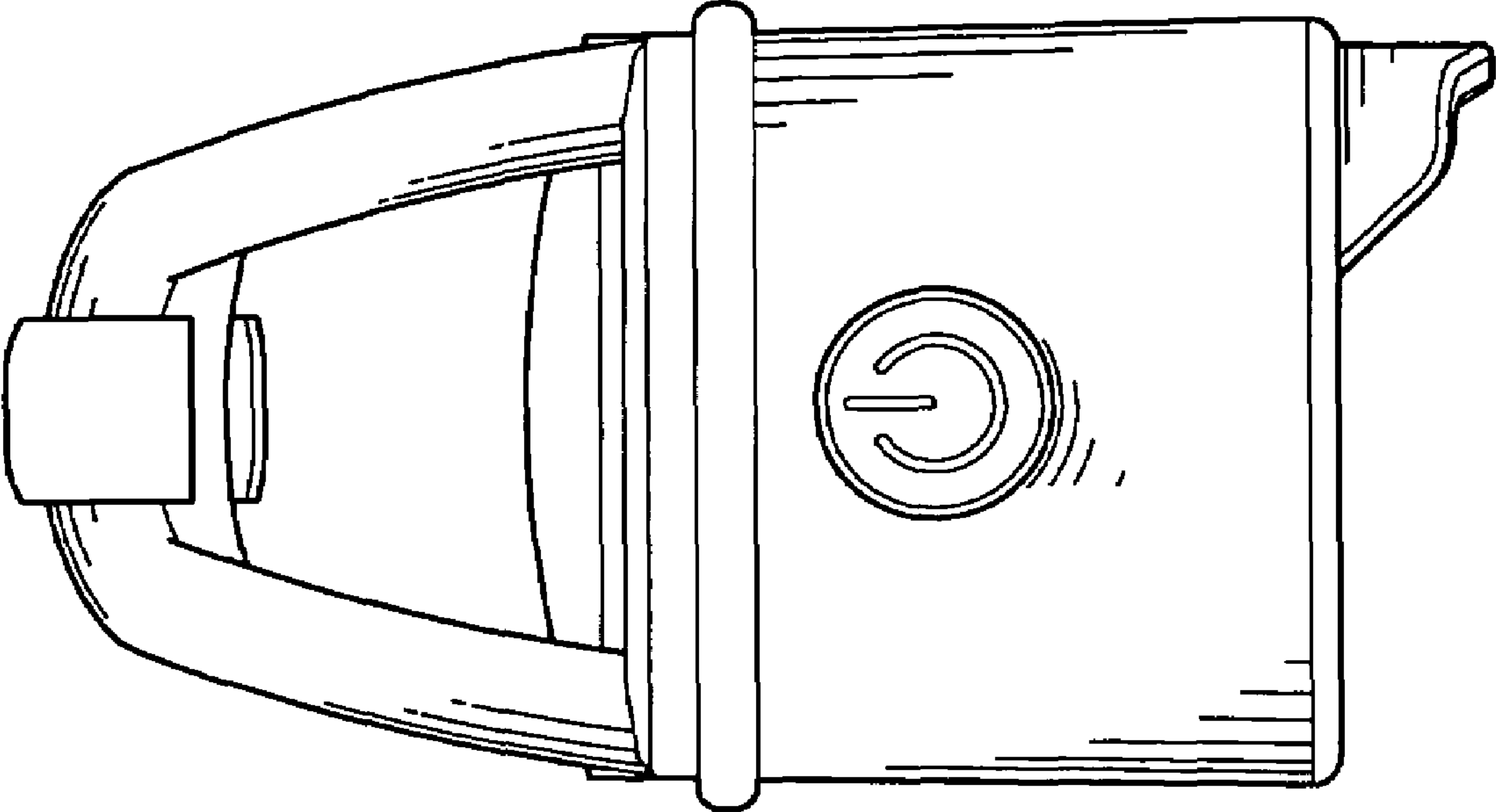


FIG. 4

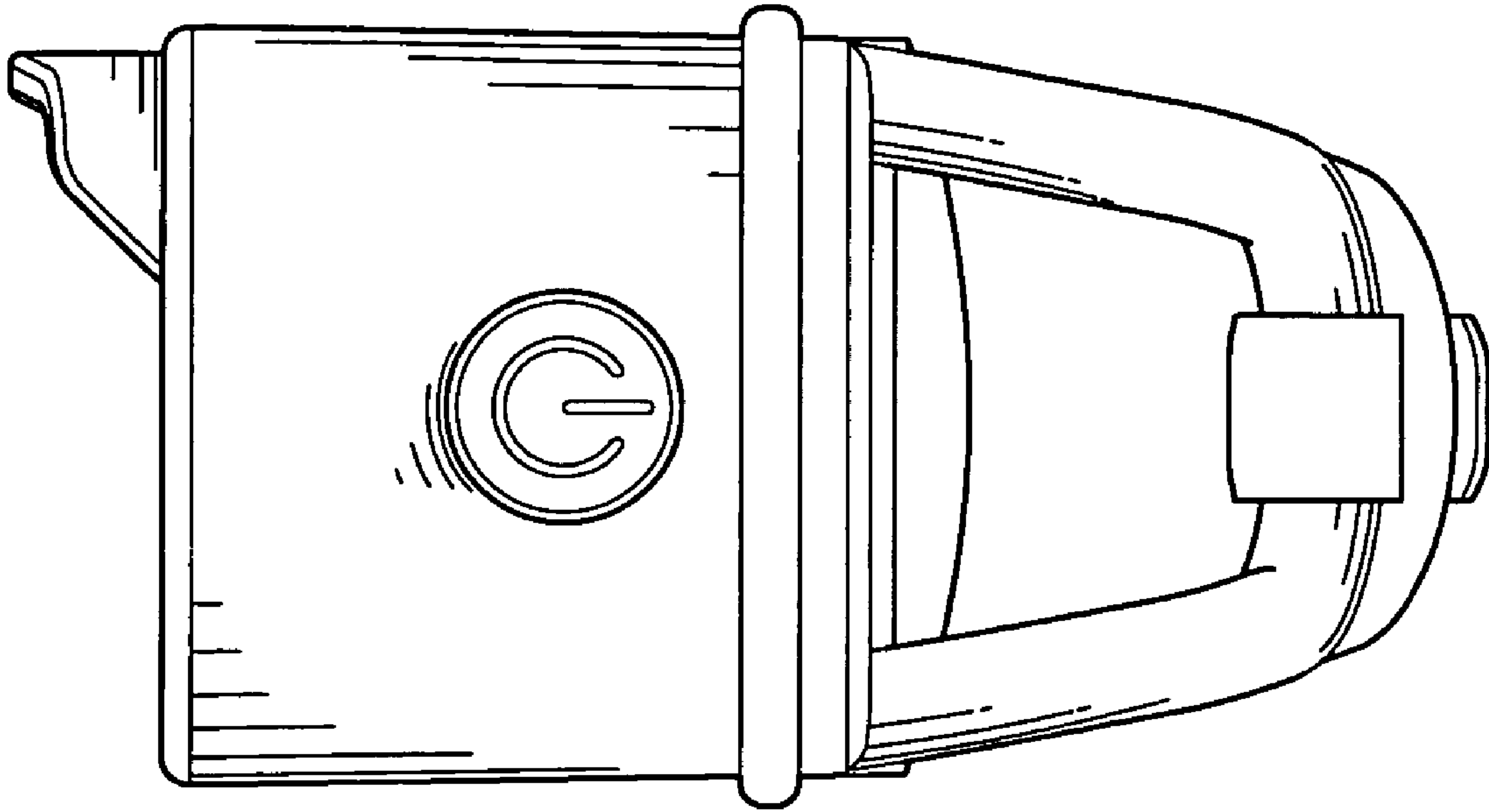


FIG. 5

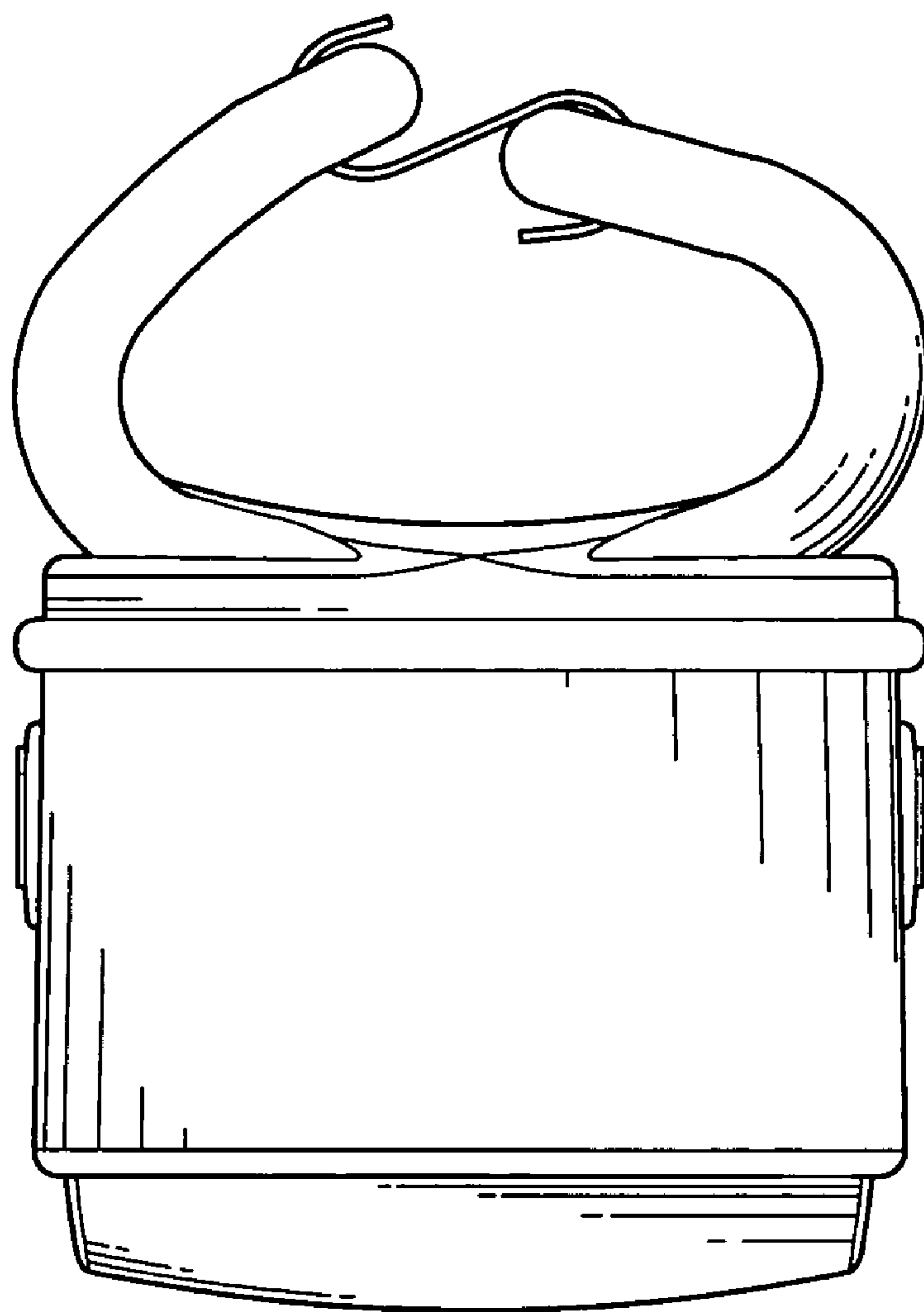


FIG. 6

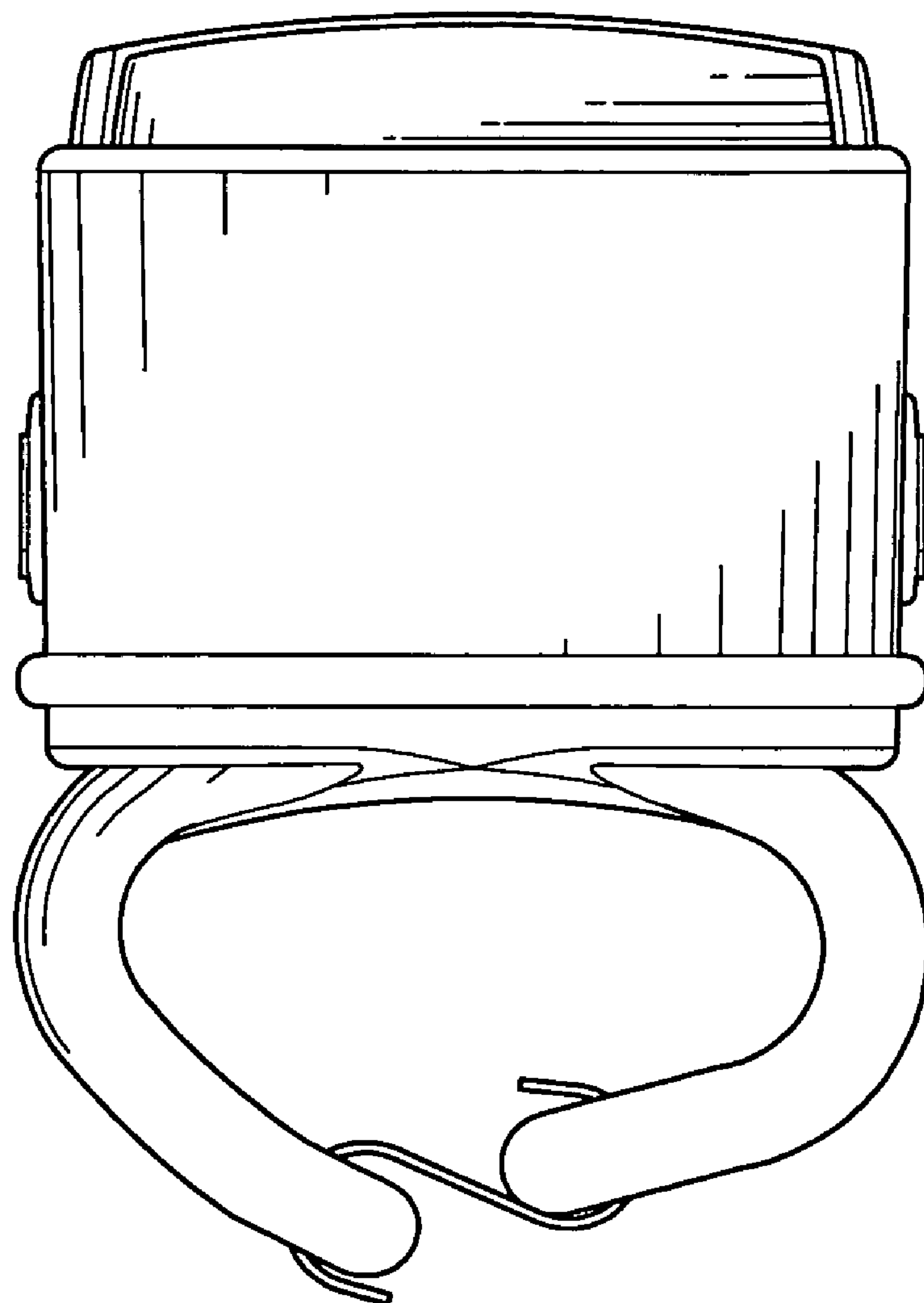


FIG. 7