



US00D609376S

(12) **United States Design Patent**
Cristoforo et al.

(10) **Patent No.:** **US D609,376 S**

(45) **Date of Patent:** **** Feb. 2, 2010**

(54) **CLIP-ON LIGHT**

(76) Inventors: **Michael Cristoforo**, 5155 SW. Bimini Cir., S., Palm City, FL (US) 34990;
Jerry Shapiro, 5155 SW. Bimini Cir., S., Palm City, FL (US) 34990

(**) Term: **14 Years**

(21) Appl. No.: **29/321,822**

(22) Filed: **Jul. 24, 2008**

(51) **LOC (9) Cl.** **26-02**

(52) **U.S. Cl.** **D26/38**

(58) **Field of Classification Search** D26/51,
D26/37-44, 60-66, 57, 73; D16/309, 336,
D16/900; 362/581, 640, 647, 396, 253, 103-108
See application file for complete search history.

(56) **References Cited**

U.S. PATENT DOCUMENTS

D215,751 S *	10/1969	Castellano	D26/38
3,769,663 A *	11/1973	Perl	24/3.3
D229,975 S *	1/1974	Klugmann	D16/309
5,209,562 A *	5/1993	Glassford	362/378

* cited by examiner

Primary Examiner—Cathron C Brooks

Assistant Examiner—Linda G. Brooks

(74) *Attorney, Agent, or Firm*—McHale & Slavin, P.A.

(57) **CLAIM**

The ornamental design for a clip-on light, as shown and described.

DESCRIPTION

FIG. 1 is a top-left perspective view of the clip-on light of the instant invention;

FIG. 2 is a front view thereof;

FIG. 3 is a rear view thereof;

FIG. 4 is a left side view thereof;

FIG. 5 is a right side view thereof;

FIG. 6 is a top view thereof;

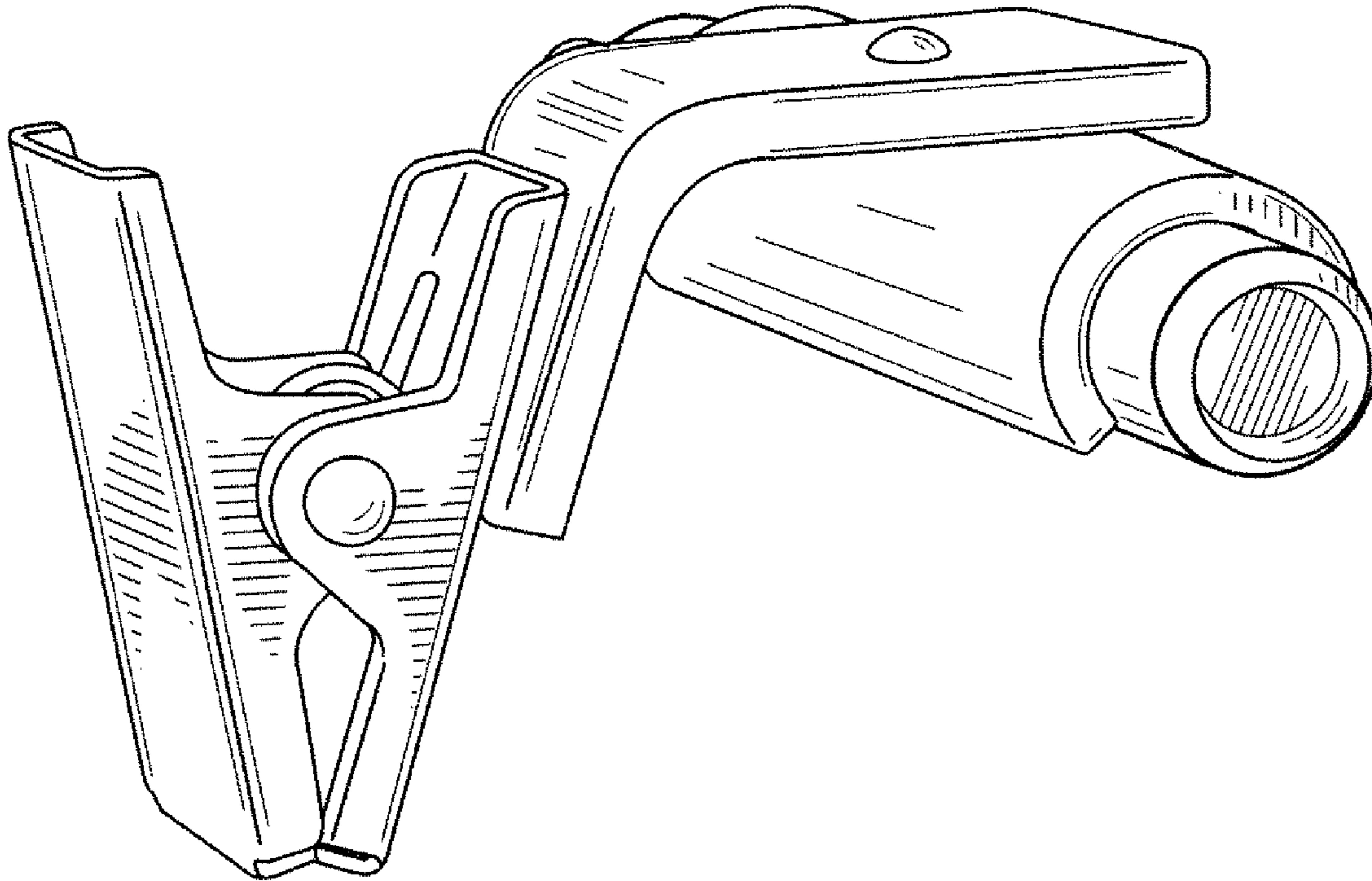
FIG. 7 is a bottom view thereof;

FIG. 8 is a top-left perspective view illustrating the instant invention secured to a pair of glasses; and,

FIG. 9 is a top-left exploded view thereof.

The portions of figures illustrated in broken lines are for environmental purposes only and form no part of the claimed design.

1 Claim, 6 Drawing Sheets



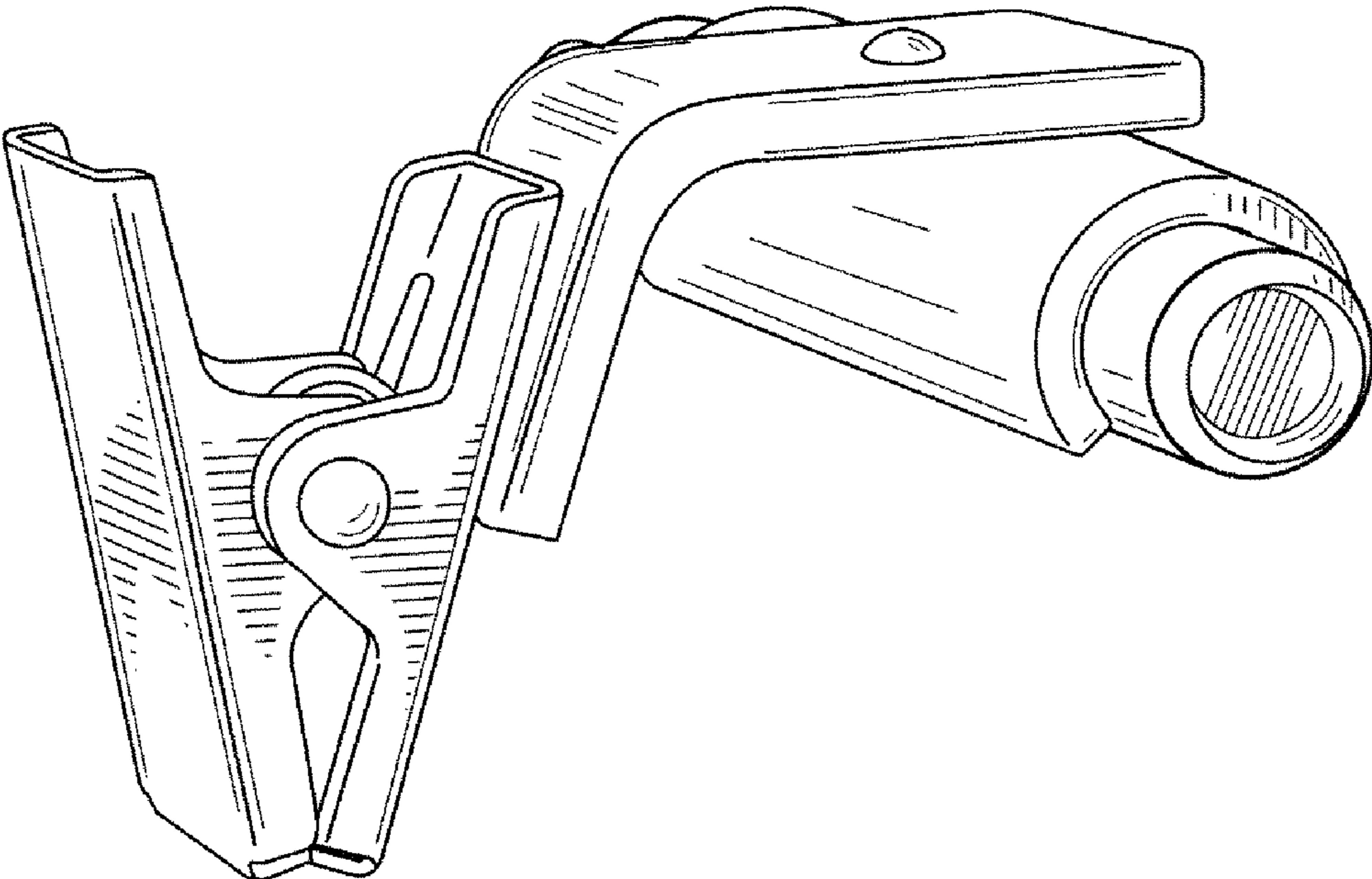


FIG. 1

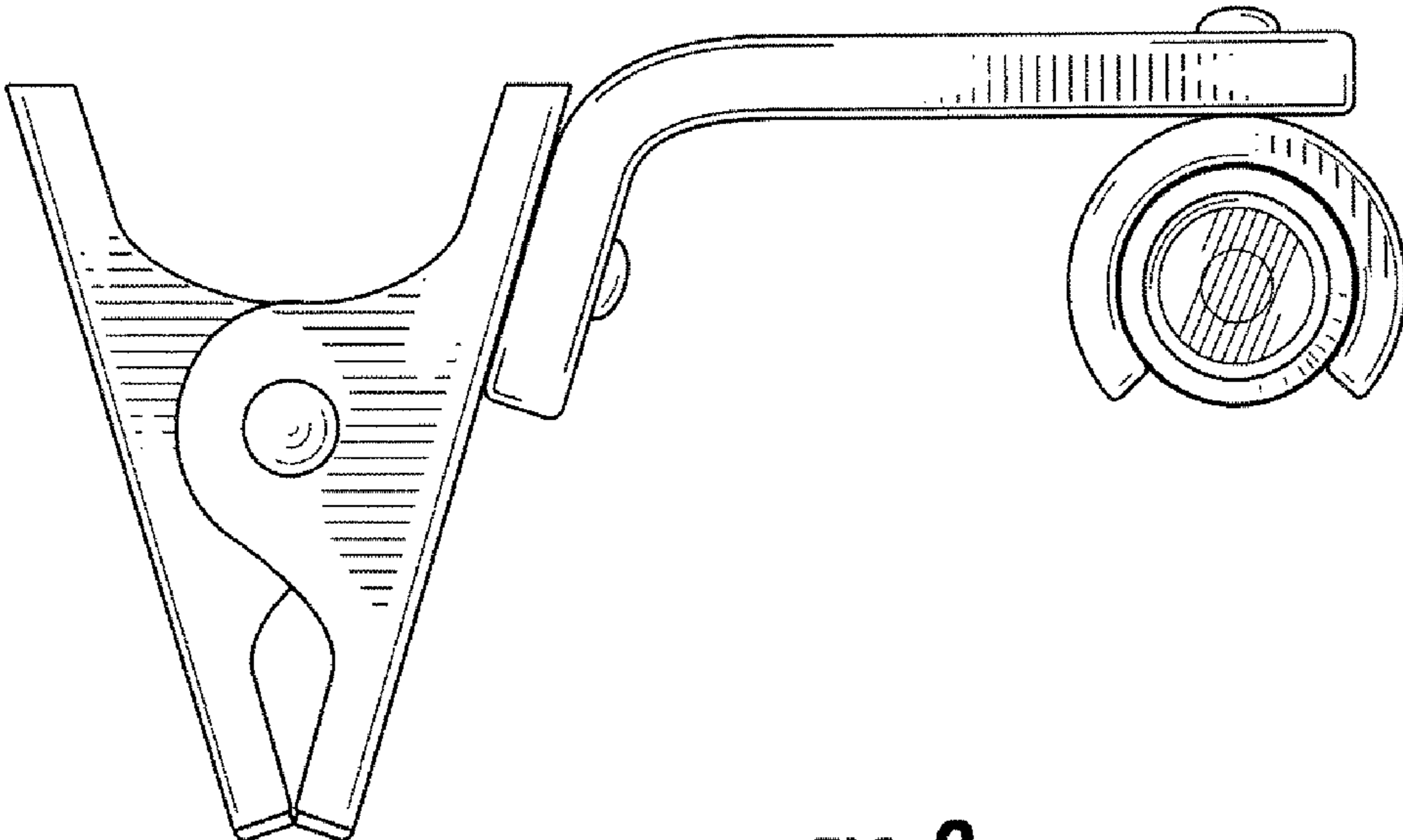


FIG. 2

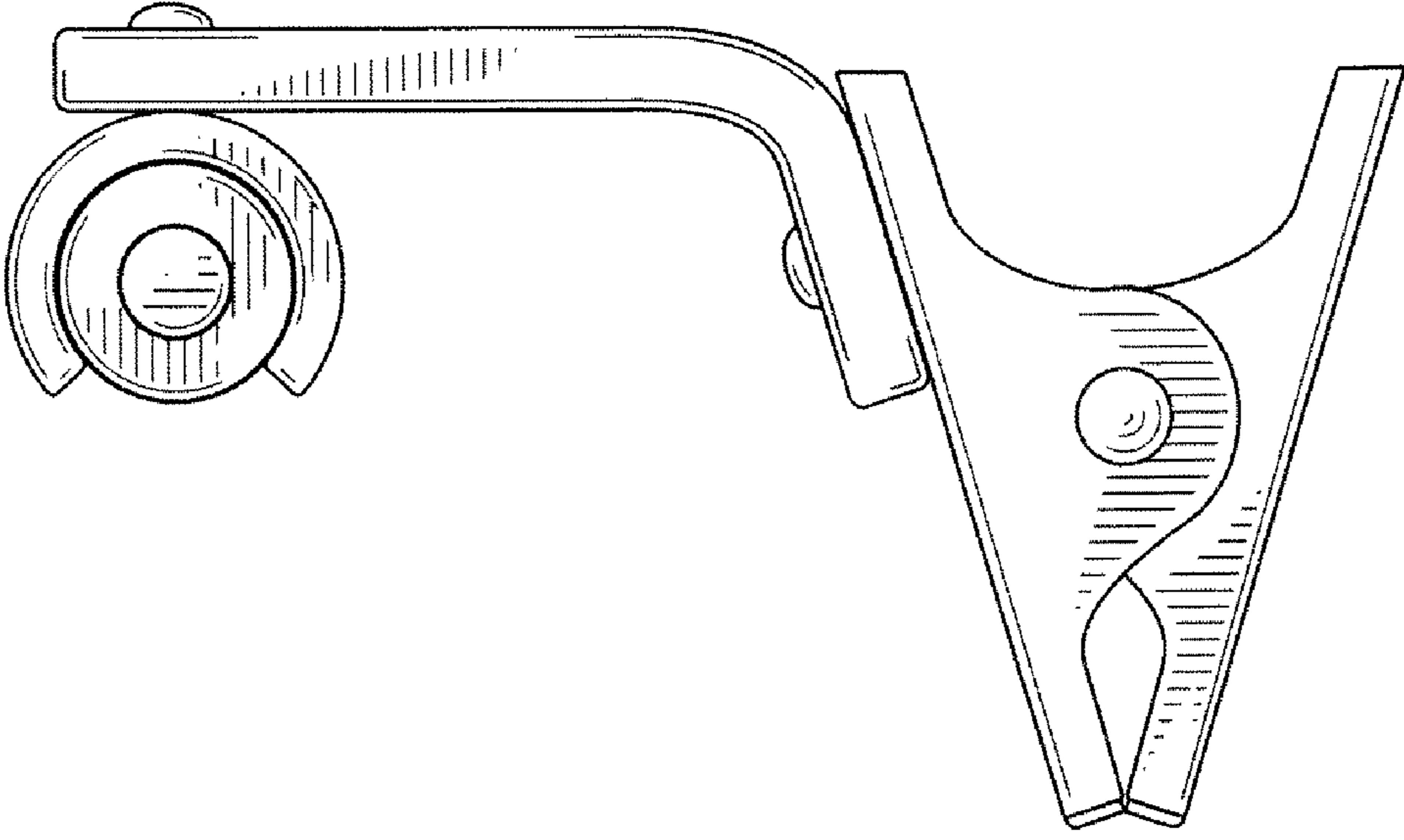


FIG. 3

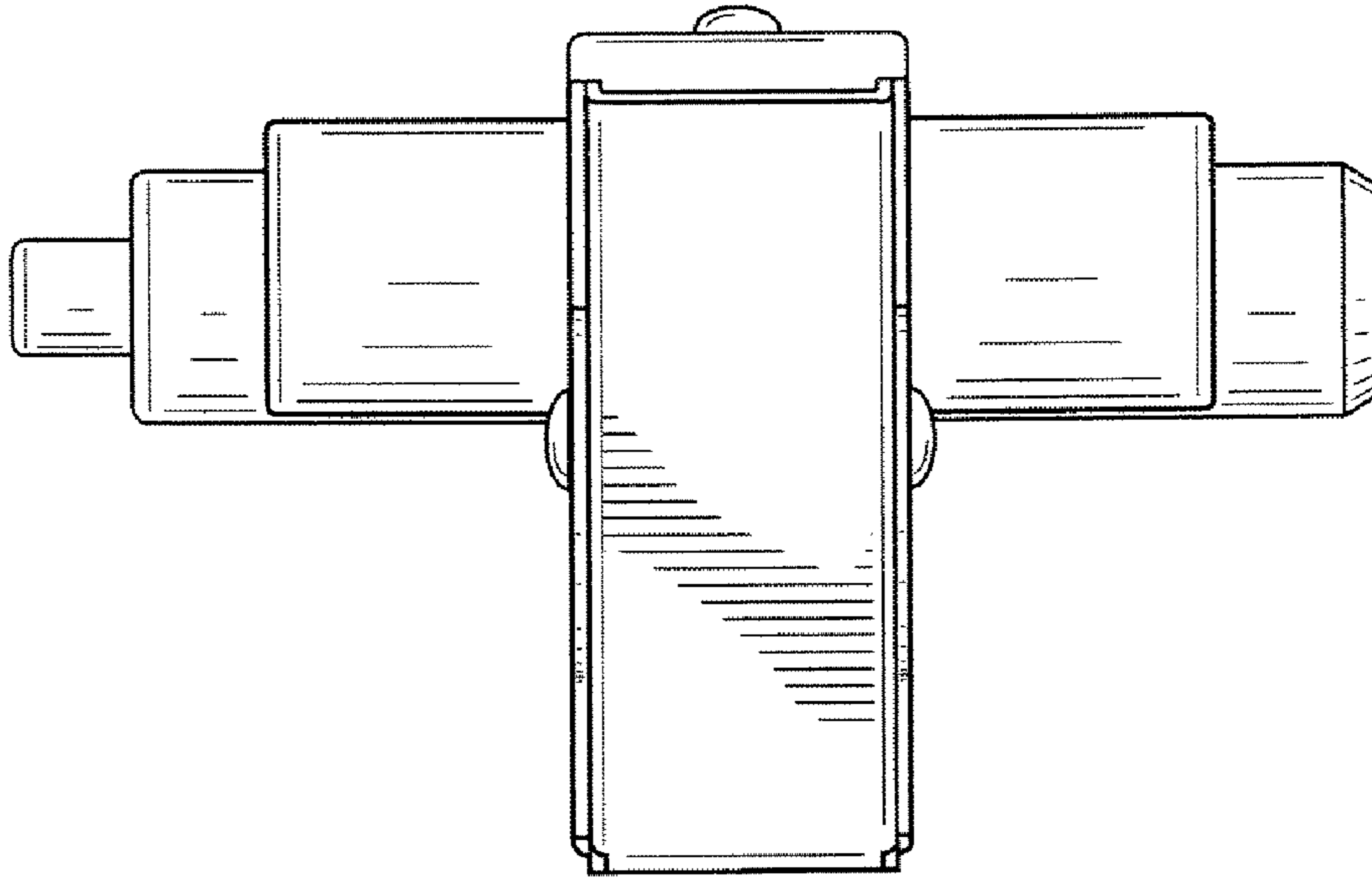


FIG. 4

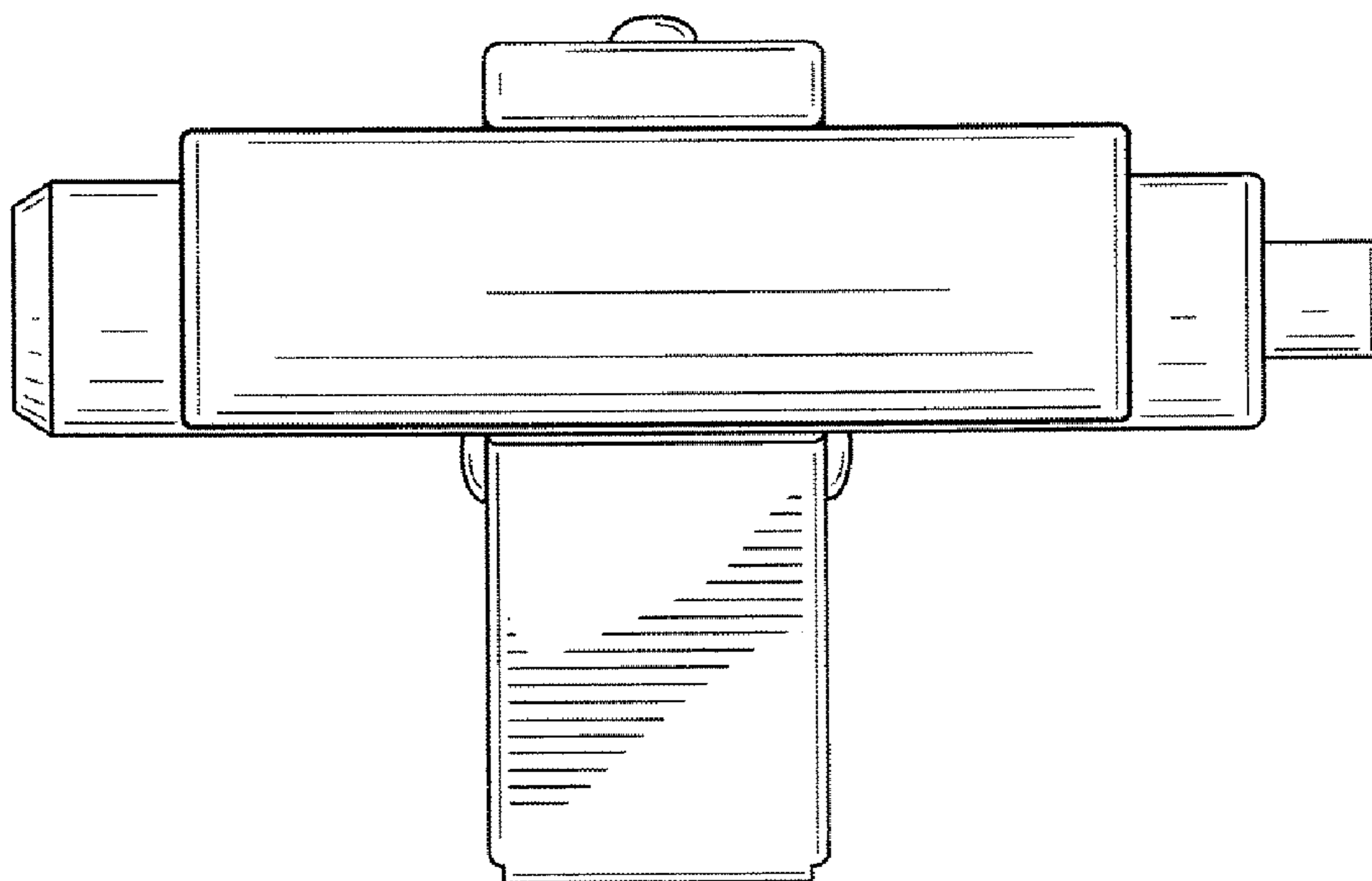


FIG. 5

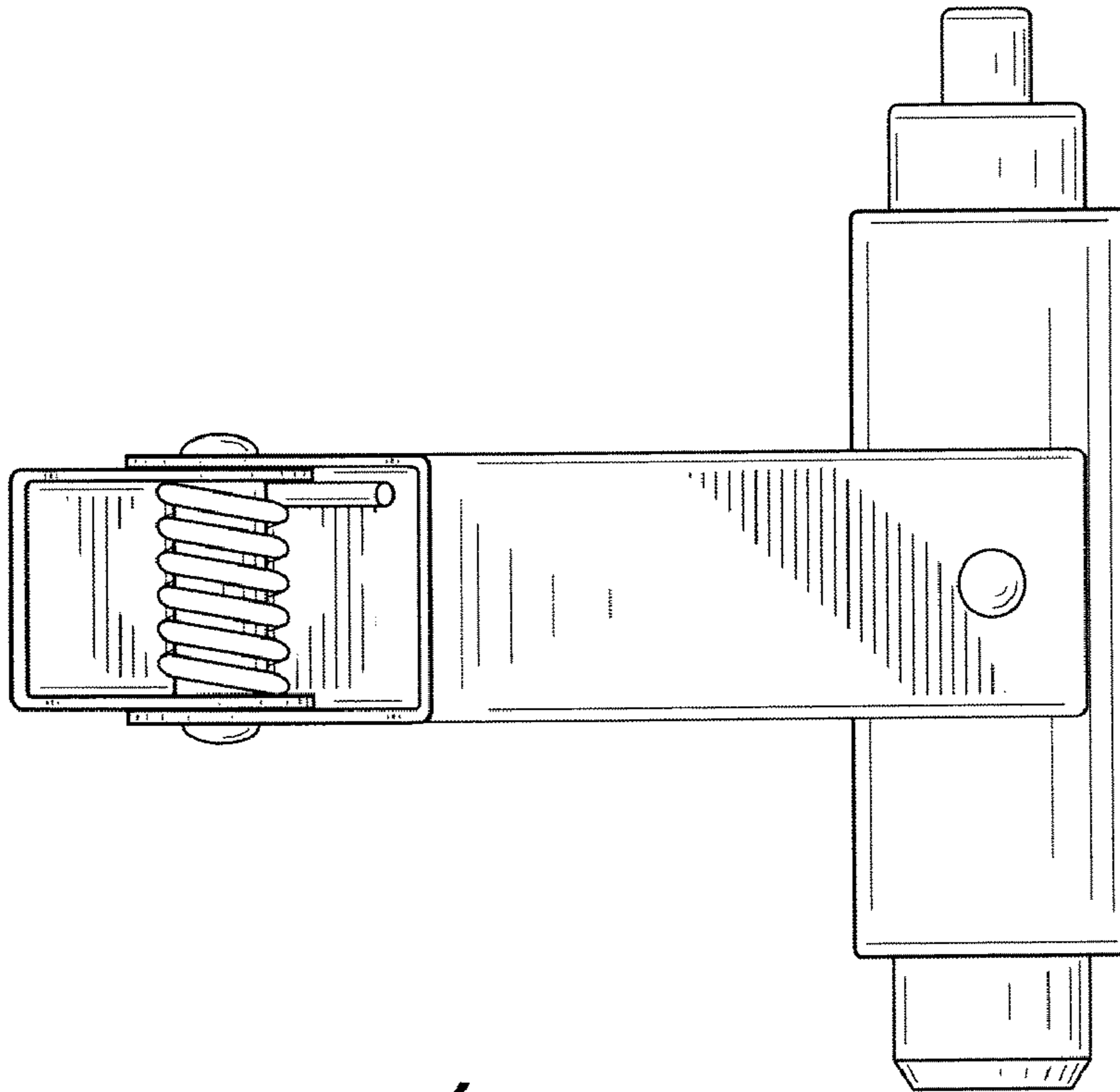


FIG. 6

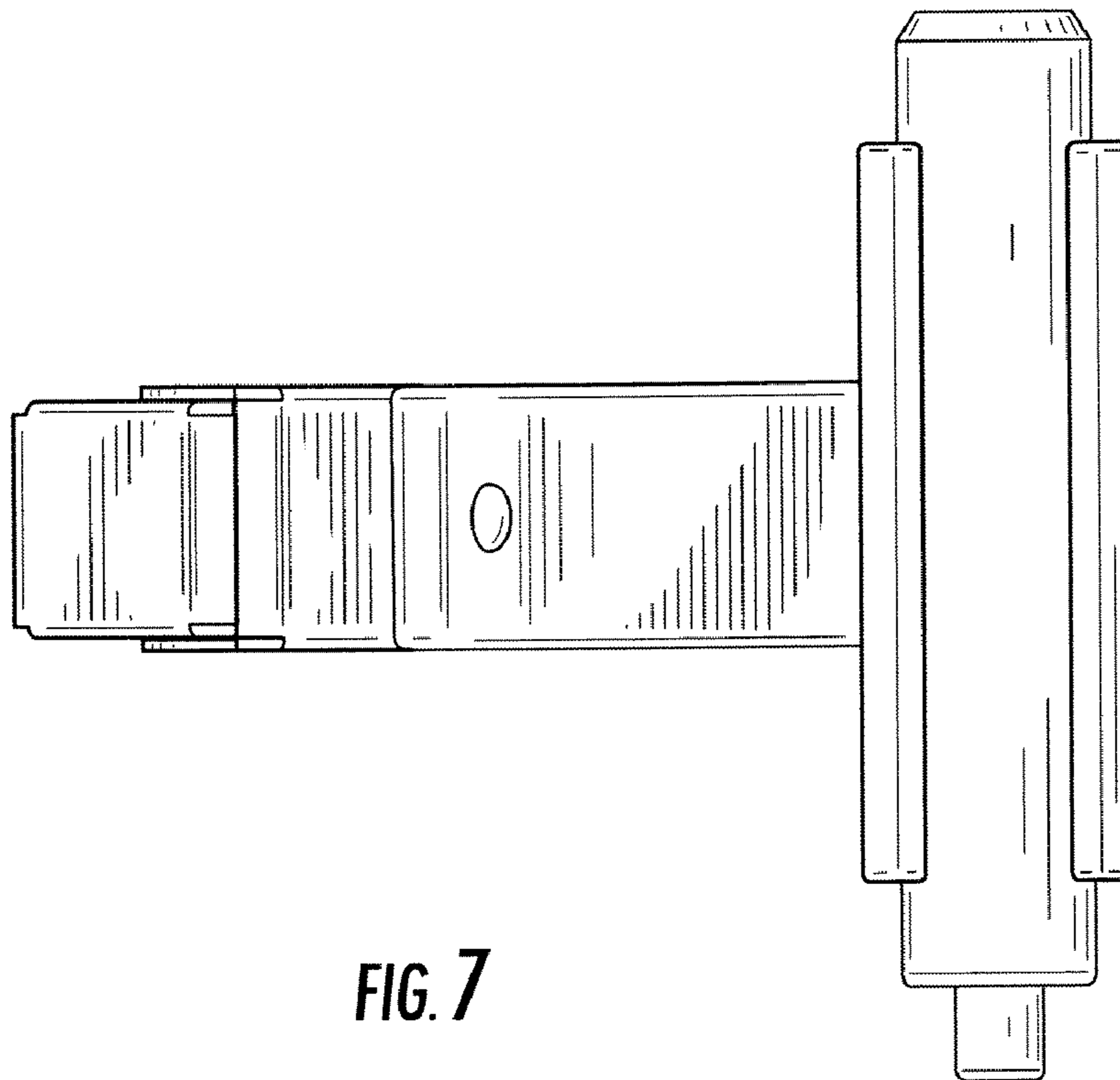


FIG. 7

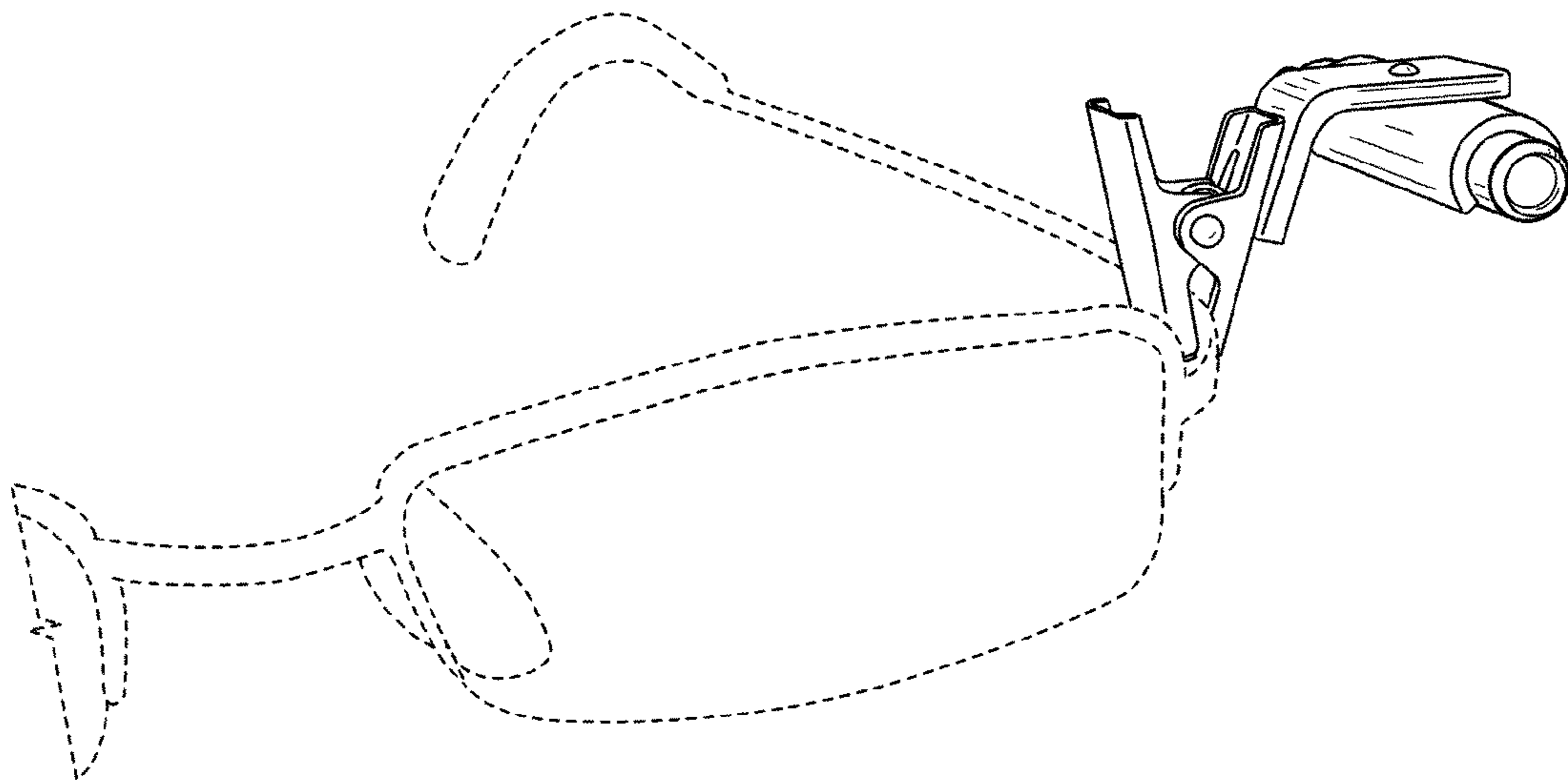


FIG. 8

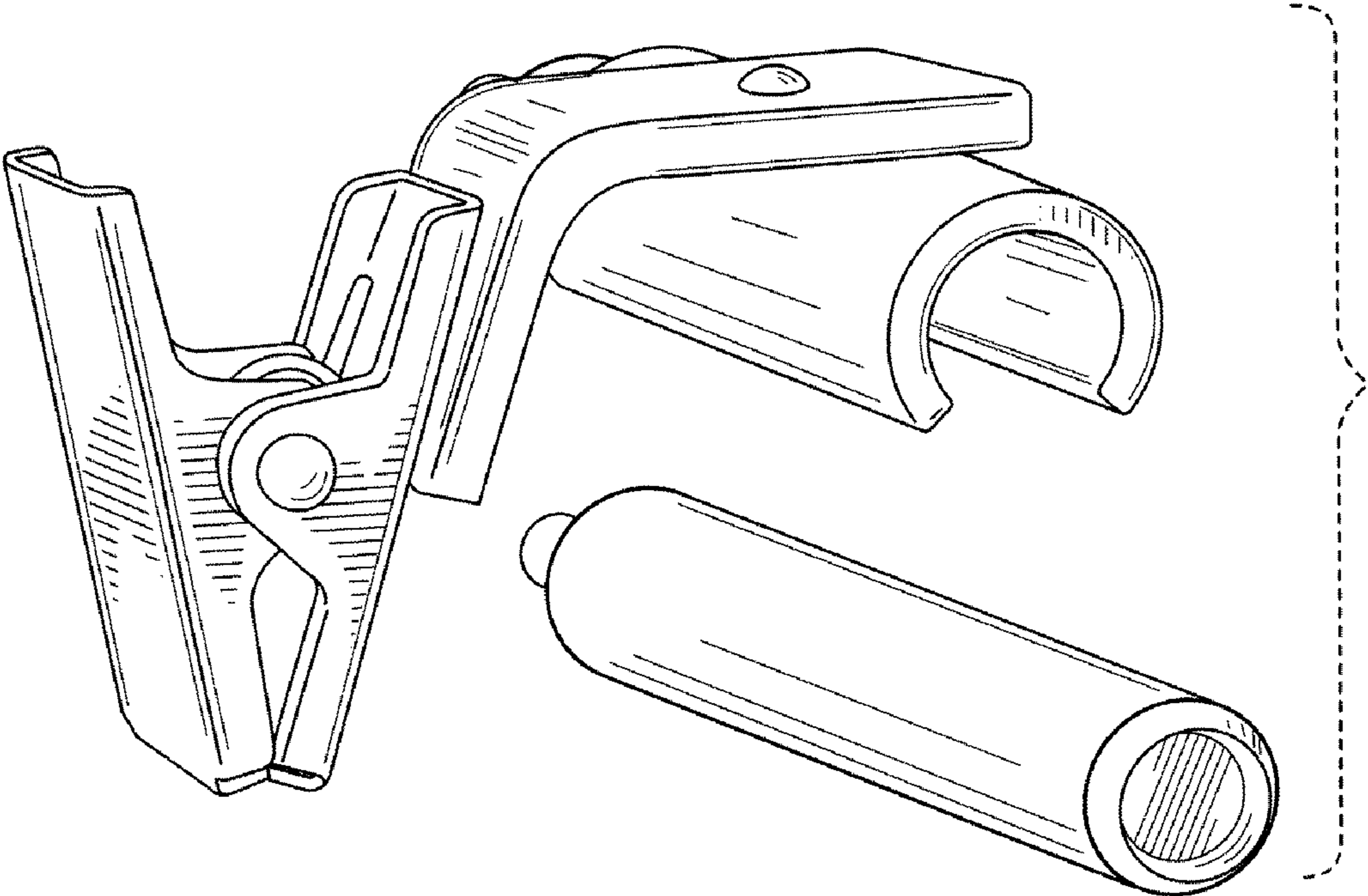


FIG. 9