



US00D609373S

(12) **United States Design Patent**
Curtas

(10) **Patent No.:** **US D609,373 S**

(45) **Date of Patent:** **** Feb. 2, 2010**

(54) **REINFORCEMENT MEMBER**

(75) Inventor: **Luke D. Curtas**, Fredericksburg, VA (US)

(73) Assignee: **Mid Atlantic Vinyl Products, Inc.**, Fredericksburg, VA (US)

(**) Term: **14 Years**

(21) Appl. No.: **29/307,588**

(22) Filed: **Apr. 29, 2008**

(51) **LOC (9) Cl.** **25-01**

(52) **U.S. Cl.** **D25/199**

(58) **Field of Classification Search** D25/164,
D25/199; 405/302.4; 256/51; 52/146, 147,
52/170, 341, 405.3, 432, 251

See application file for complete search history.

(56) **References Cited**

U.S. PATENT DOCUMENTS

3,216,163 A * 11/1965 Carew 52/251
4,987,718 A * 1/1991 Knight 52/741.14
5,771,646 A * 6/1998 DeSouza 52/263

D490,546 S * 5/2004 Walker D25/199
2006/0113517 A1 * 6/2006 Colantonio et al. 256/24

* cited by examiner

Primary Examiner—Doris Clark

(74) *Attorney, Agent, or Firm*—Jeffrey D. Carter

(57) **CLAIM**

The ornamental design of a reinforcement member, as shown and described.

DESCRIPTION

The disclosed reinforcement member may be used in railing, decking, fencing and/or other applications.

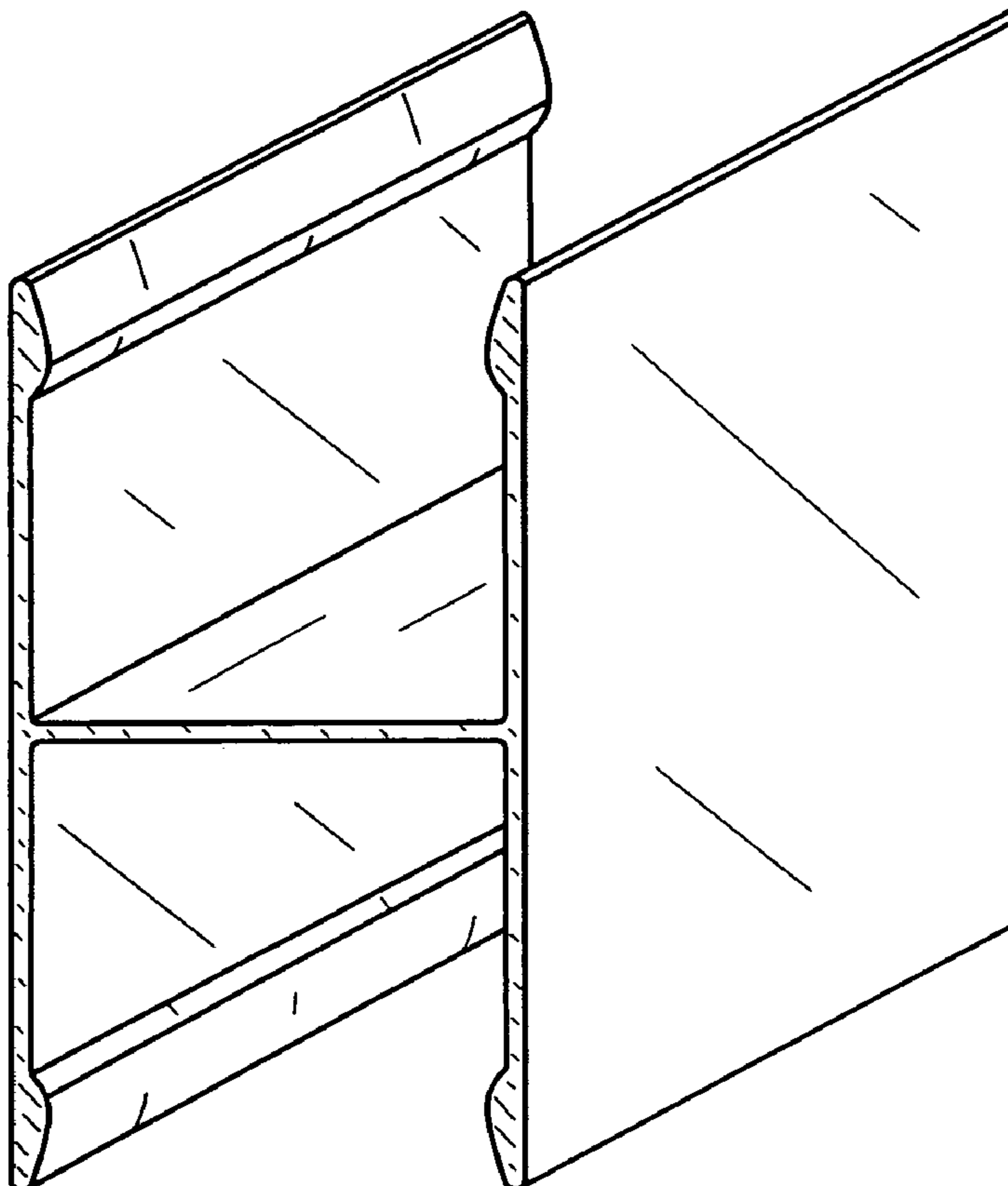
FIG. 1 is a perspective view of the reinforcement member of the present invention;

FIG. 2 is a front view thereof, the rear view being identical to the front view;

FIG. 3 is a top view thereof, the bottom view being identical to the top view; and,

FIG. 4 is a right side view thereof, the left side view being identical to the right side view.

1 Claim, 4 Drawing Sheets



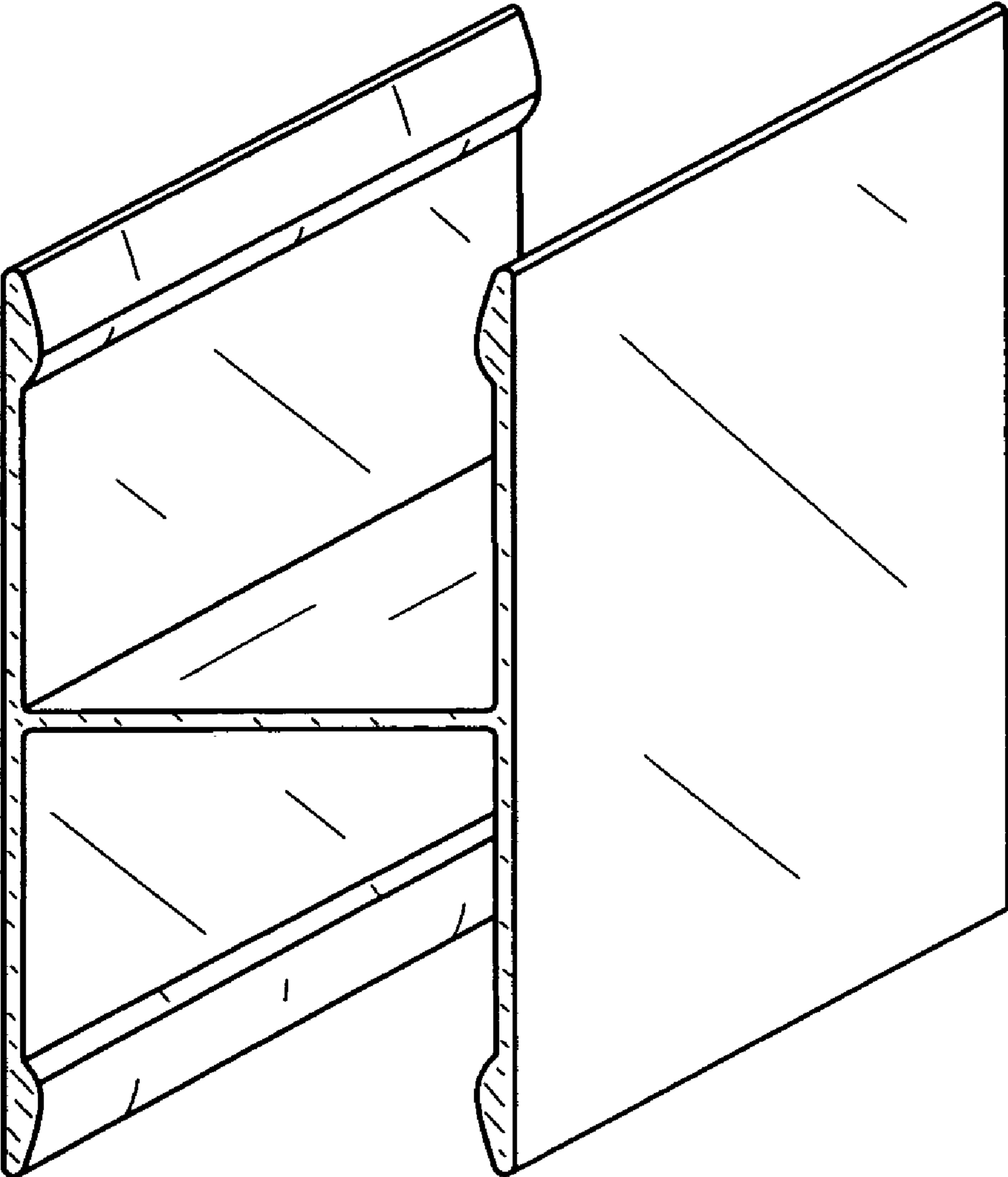


FIG. 1

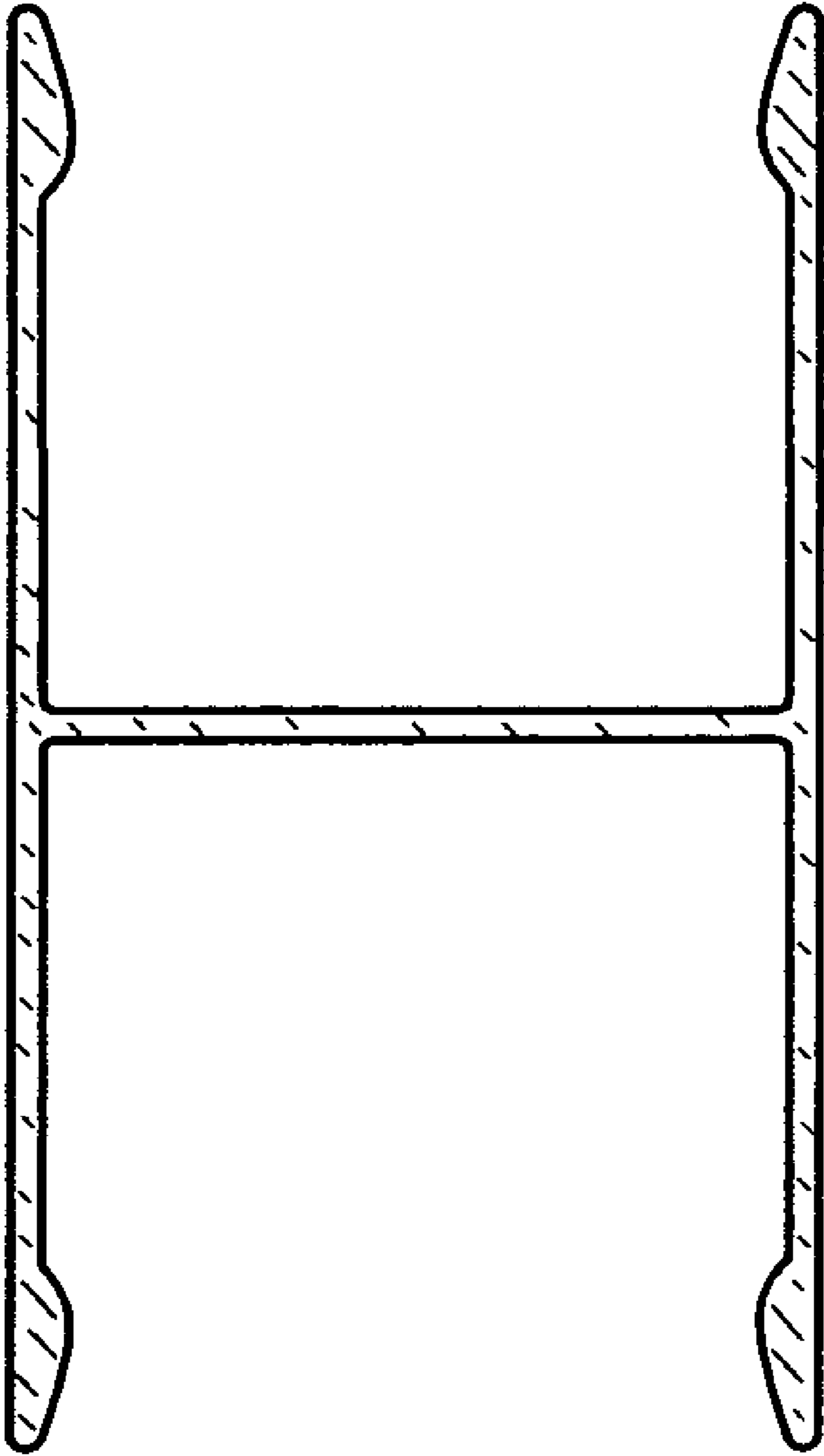


FIG. 2

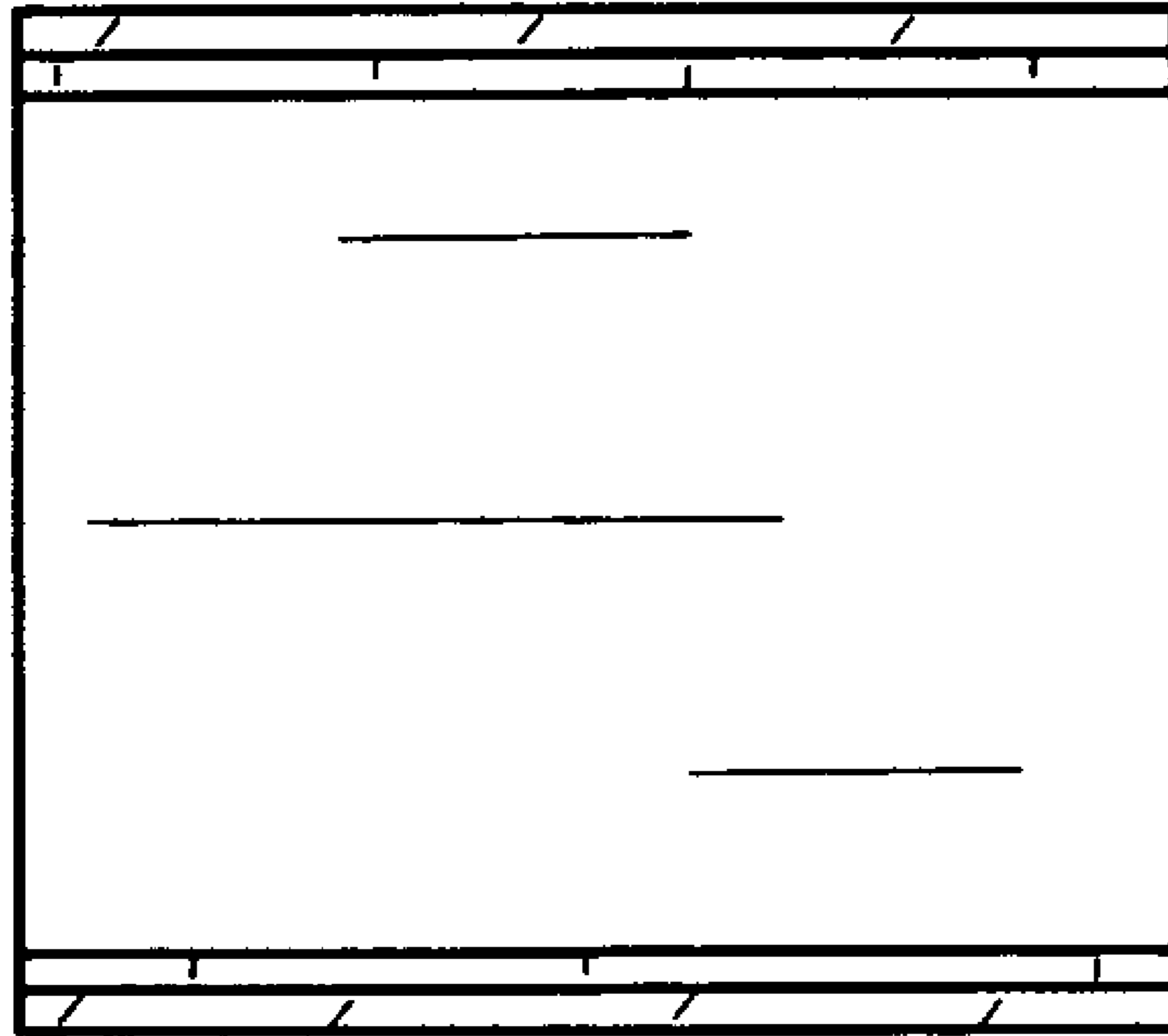


FIG. 3

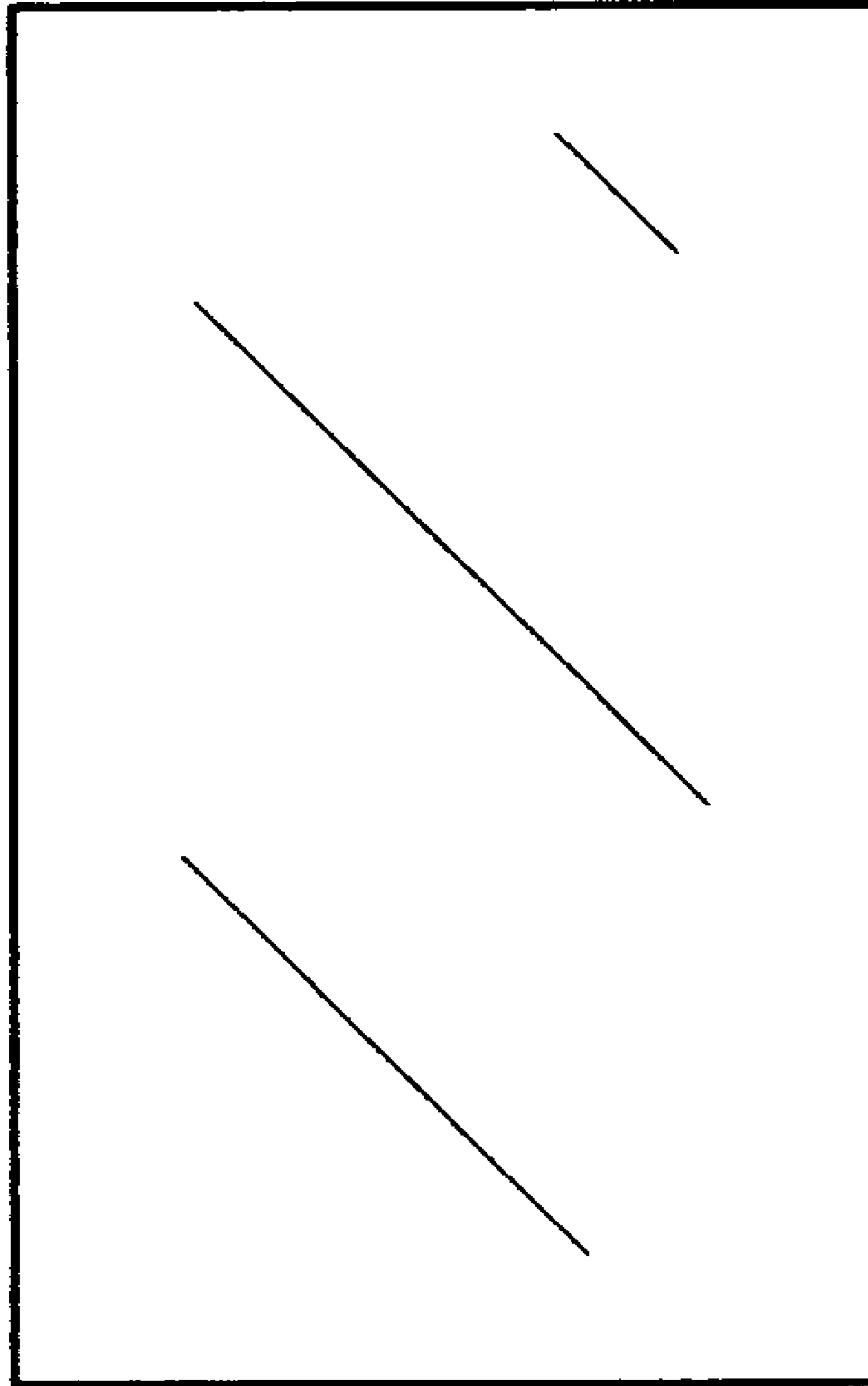


FIG. 4