



US00D609369S

(12) **United States Design Patent**  
**Buch**

(10) **Patent No.:** **US D609,369 S**

(45) **Date of Patent:** **\*\* Feb. 2, 2010**

(54) **PAVER BLOCK**

D575,414 S 8/2008 Salerno  
2005/0055983 A1 3/2005 Tomes

(75) Inventor: **Douglas J. Buch**, Greenfield, WI (US)

(73) Assignee: **ECS Solutions, LLC**, Greenfield, WI (US)

(\*\*) Term: **14 Years**

(21) Appl. No.: **29/338,089**

(22) Filed: **Jun. 4, 2009**

(51) **LOC (9) Cl.** ..... **25-01**

(52) **U.S. Cl.** ..... **D25/113**

(58) **Field of Classification Search** ..... D25/102,  
D25/112-118, 119, 164; D21/484-491,  
D21/499-502; 405/16, 17, 33, 35, 284, 286;  
52/503-505, 574, 575, 596-605, 609-612;  
404/29-31, 34

See application file for complete search history.

(56) **References Cited**

**U.S. PATENT DOCUMENTS**

572,762	A	12/1896	Landers	
4,370,075	A *	1/1983	Scales	405/20
5,484,230	A *	1/1996	Rudloff	405/20
5,499,888	A	3/1996	Hawkes	
5,779,391	A *	7/1998	Knight	405/20
5,797,698	A	8/1998	Barth et al.	
D399,577	S	10/1998	Scales	
5,921,710	A	7/1999	Scales	
6,071,041	A *	6/2000	Knight	405/16
6,508,607	B1	1/2003	Smith et al.	
D482,801	S *	11/2003	Dice et al.	D25/115
D504,957	S *	5/2005	Dice et al.	D25/118
6,939,077	B1	9/2005	Hart	
D516,735	S	3/2006	Kees et al.	

**FOREIGN PATENT DOCUMENTS**

DE	10244929	A1	4/2003
GB	2134561	A	8/1964
JP	7197429	A	8/1995

**OTHER PUBLICATIONS**

U.S. Appl. No. 12/014,325, filed Jan. 15, 2008, Douglas J. Buch.  
Eco Creto Frequently Asked Questions, <http://www.ecocreto.com/fag.html>, Jul. 10, 2007.  
Photographs from Eco Creto Office and parking lot, Jul. 2, 2007.

(Continued)

*Primary Examiner*—T. Chase Nelson  
*Assistant Examiner*—Anhdao Doan  
(74) *Attorney, Agent, or Firm*—Boyle Fredrickson, S.C.

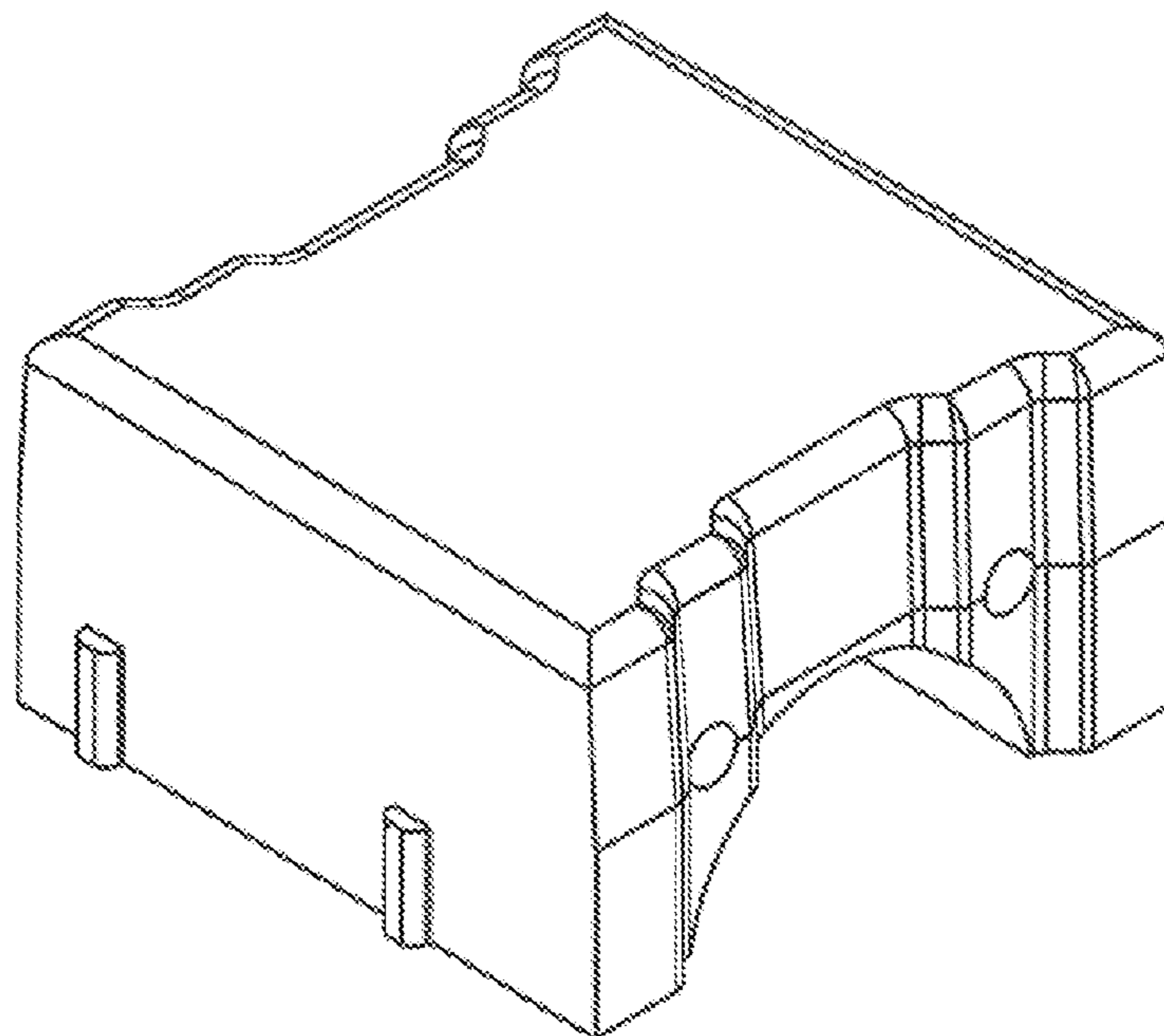
(57) **CLAIM**

The ornamental design for a paver block, substantially as shown and described.

**DESCRIPTION**

FIG. 1 is an isometric view of a paver block according to the present invention;  
FIG. 2 is a top plan view of the paver block of FIG. 1;  
FIG. 3 is a bottom plan view of the paver block of FIG. 1;  
FIG. 4 is a side elevation view of the paver block of FIG. 1; and,  
FIG. 5 is a front elevation view of the paver block of FIG. 1.

**1 Claim, 3 Drawing Sheets**



OTHER PUBLICATIONS

Advanced Pavement Technology, Eco-Brick and Aqua-Loc Brochure.

SF-Rima Permeable Concrete Paving Stone System Brochure.

Uni-Group U.S.A., Uni Eco-Stone website <http://www.uni-groupusa.org/uni-eco-.htm>, Sep. 12, 2006.

PaveDrain, LLC, Competitive Analysis document, Jul. 2007, pp. 13-14 Discusses Egra Stone by Paveloc Industries.

Armortec, Armorflex Standard Detail (Class 70 Dimensions), CAD drawing available online: [http://vww.contech-cpi.com/media/assets/asset/file\\_name/5408/Class\\_70\\_Dimensions.pdf](http://vww.contech-cpi.com/media/assets/asset/file_name/5408/Class_70_Dimensions.pdf).

International Search Report for International application No. PCT/US2009/031079, International filing date is Jan. 15, 2009.

\* cited by examiner

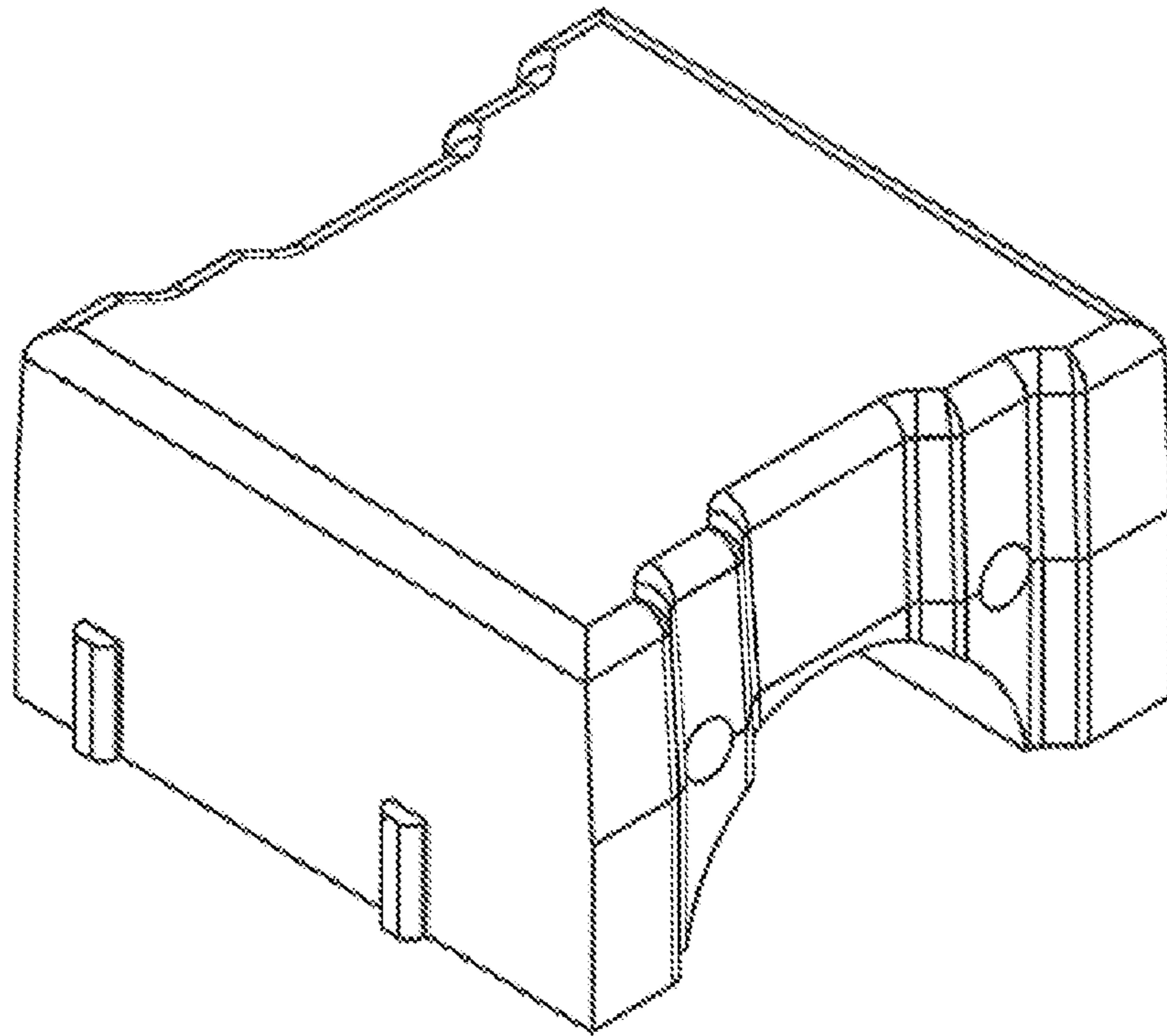


FIG. 1

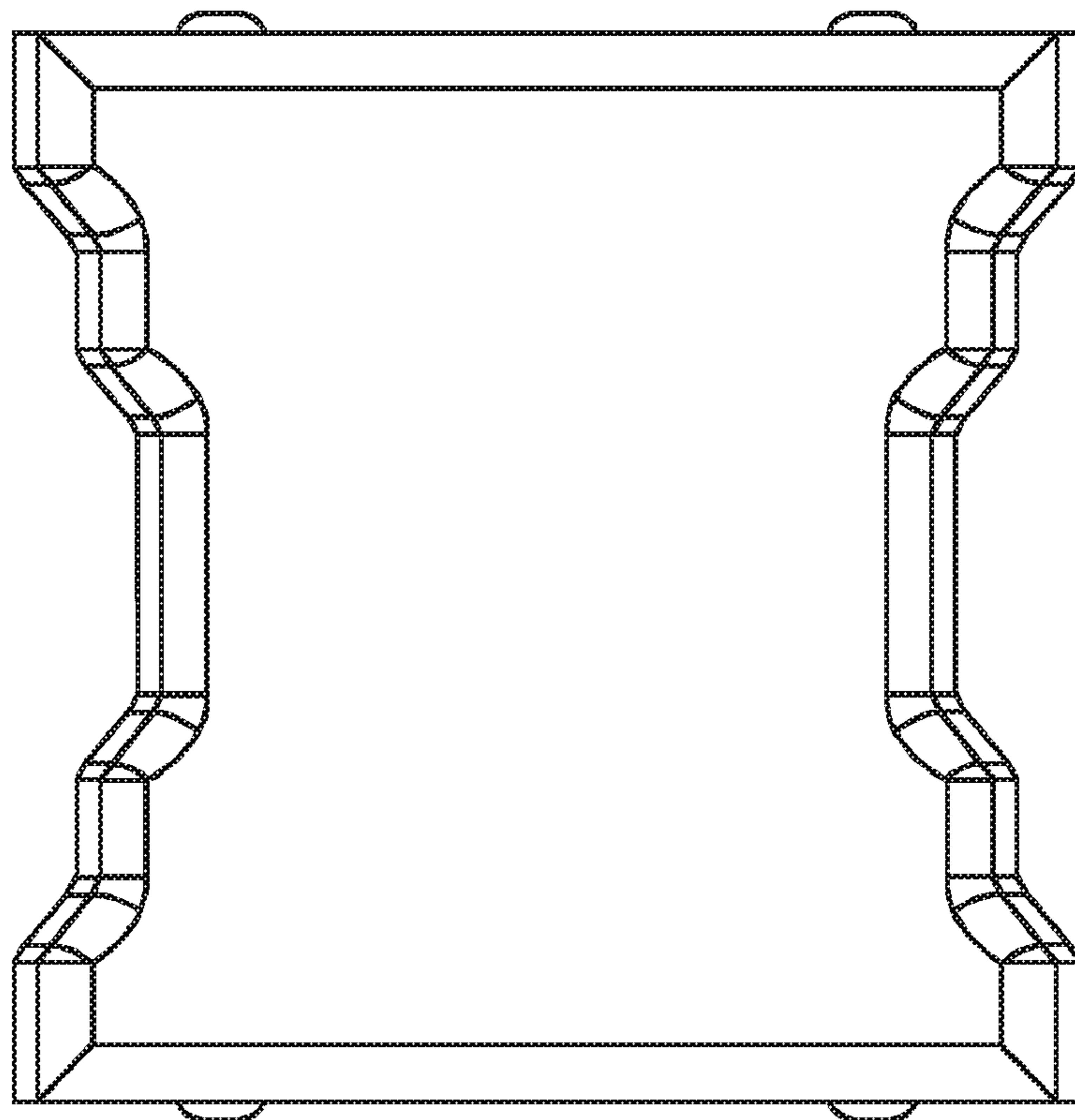


FIG. 2

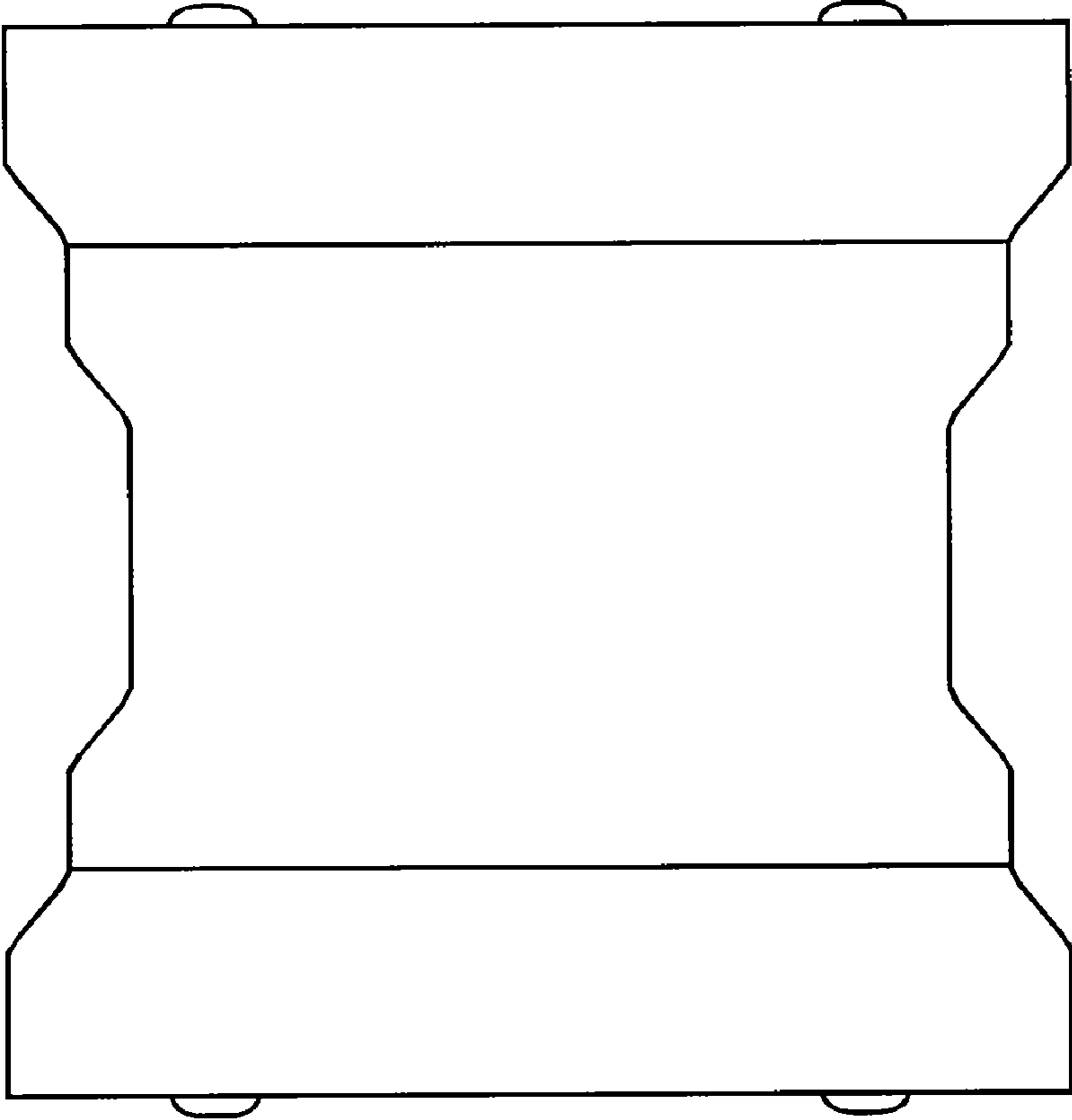


FIG. 3

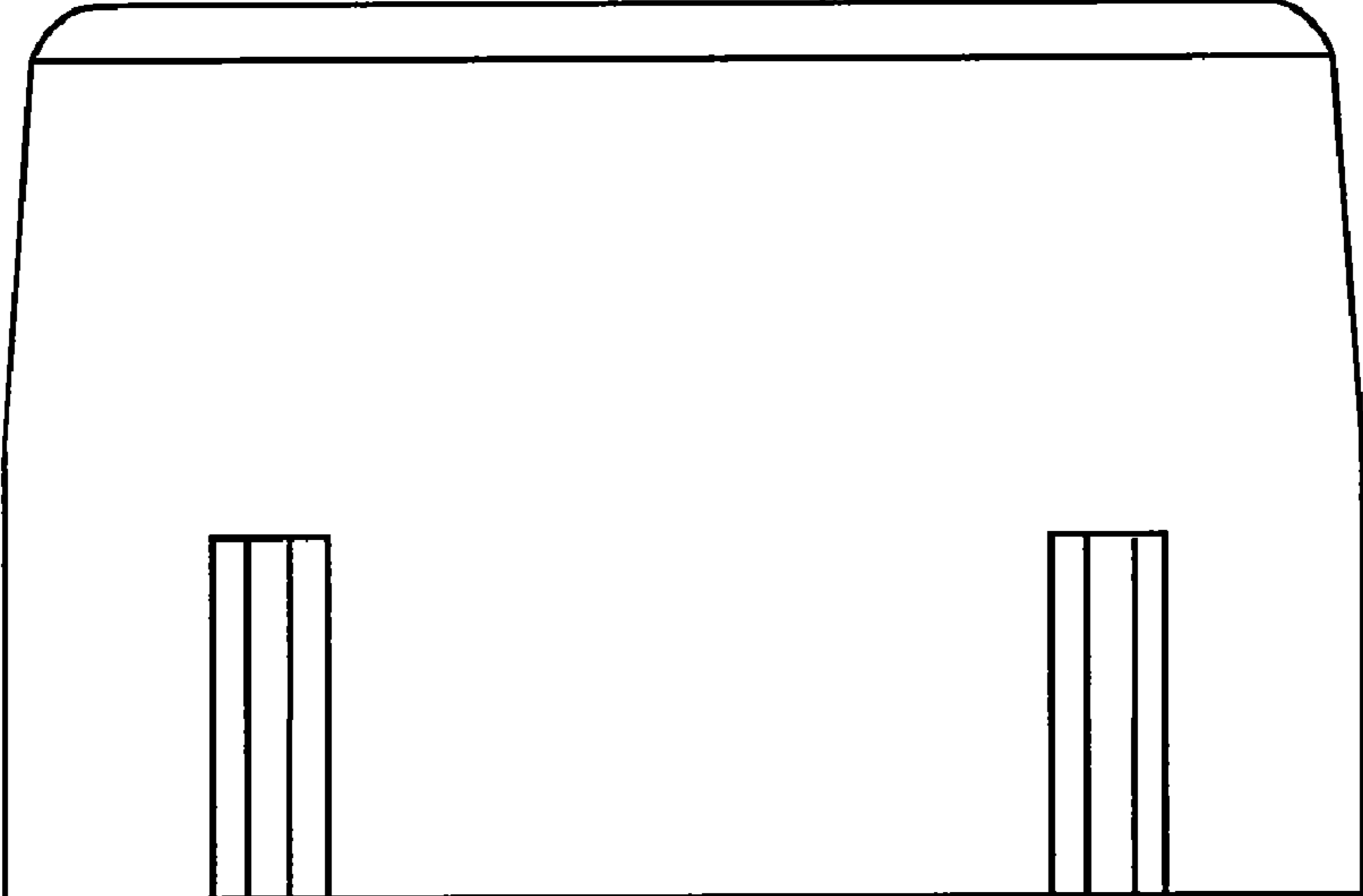


FIG. 4

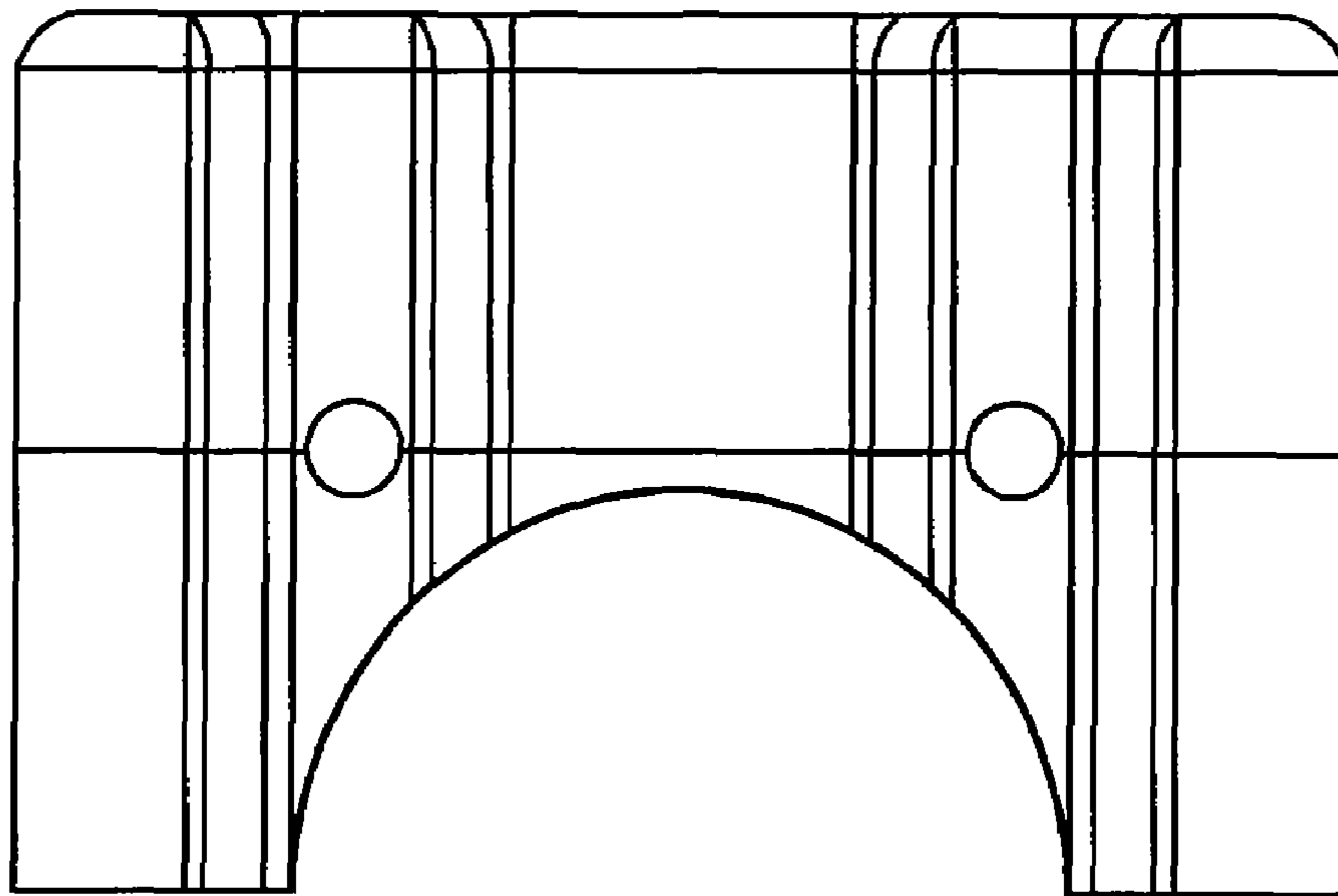


FIG. 5