



US00D609363S

(12) **United States Design Patent**  
**Segall**

(10) **Patent No.:** **US D609,363 S**

(45) **Date of Patent:** **\*\* Feb. 2, 2010**

(54) **PORTABLE MODULAR FOOTBRIDGE**

(76) **Inventor:** **Stuart C. Segall**, 2644 Hidden Valley Rd., La Jolla, CA (US) 92037

(\*\*) **Term:** **14 Years**

(21) **Appl. No.:** **29/336,026**

(22) **Filed:** **Apr. 27, 2009**

(51) **LOC (9) Cl.** ..... **25-03**

(52) **U.S. Cl.** ..... **D25/1**

(58) **Field of Classification Search** ..... D25/1,  
D25/3, 62-63; 52/187

See application file for complete search history.

(56) **References Cited**

**U.S. PATENT DOCUMENTS**

D22,826 S \* 10/1893 Davalos ..... D25/1

D86,338 S \* 2/1932 Strauss ..... D25/1

D205,217 S \* 7/1966 Rock ..... D25/1

D327,951 S \* 7/1992 Anderberg ..... D25/1

D383,216 S \* 9/1997 Anderberg ..... D25/1

\* cited by examiner

*Primary Examiner*—T. Chase Nelson

*Assistant Examiner*—Kathleen M Sims

(74) *Attorney, Agent, or Firm*—Nydegger & Associates

(57) **CLAIM**

The ornamental design for a portable modular footbridge, as shown.

**DESCRIPTION**

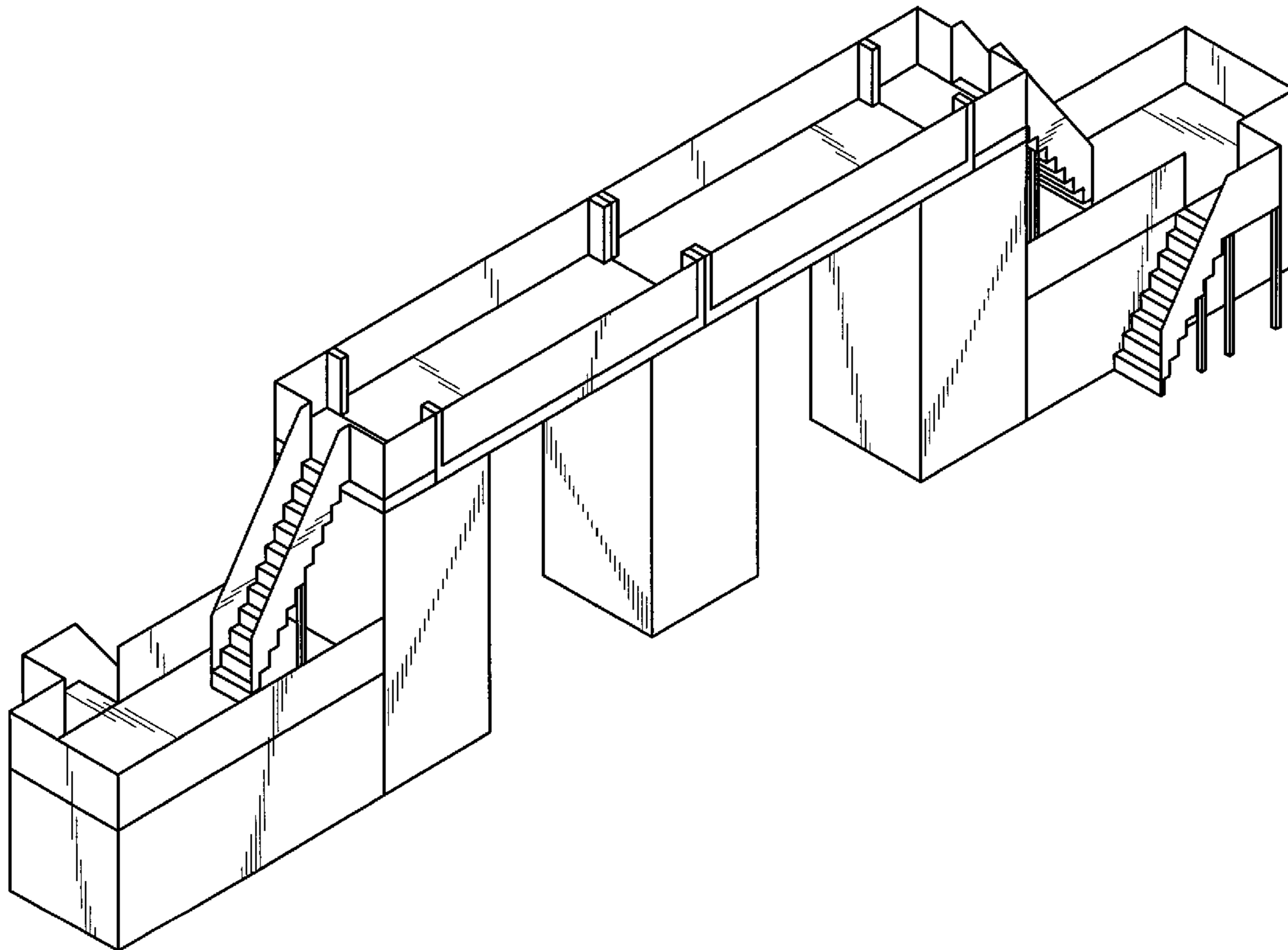
FIG. 1 is a perspective view thereof;

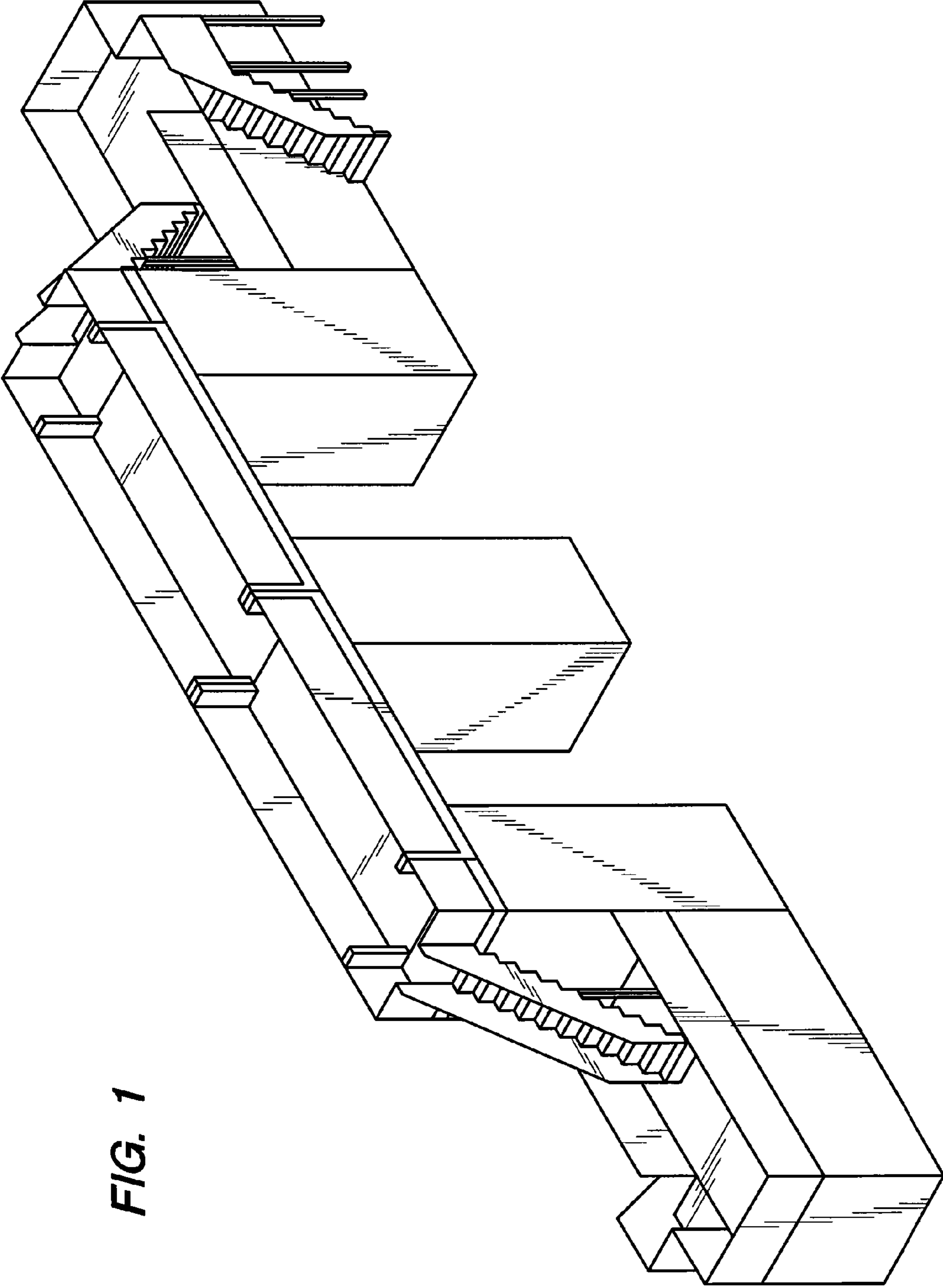
FIG. 2 is a top view thereof;

FIG. 3 is a front/rear view thereof; and,

FIG. 4 is a right/left side view thereof.

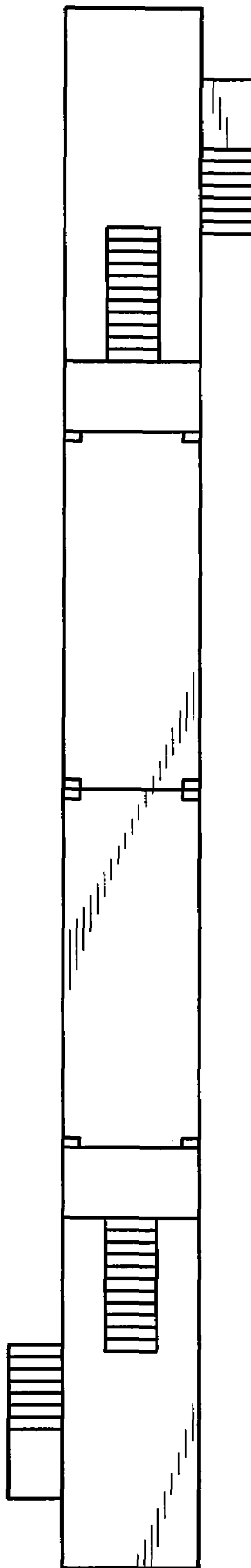
**1 Claim, 4 Drawing Sheets**





**FIG. 1**

**FIG. 2**



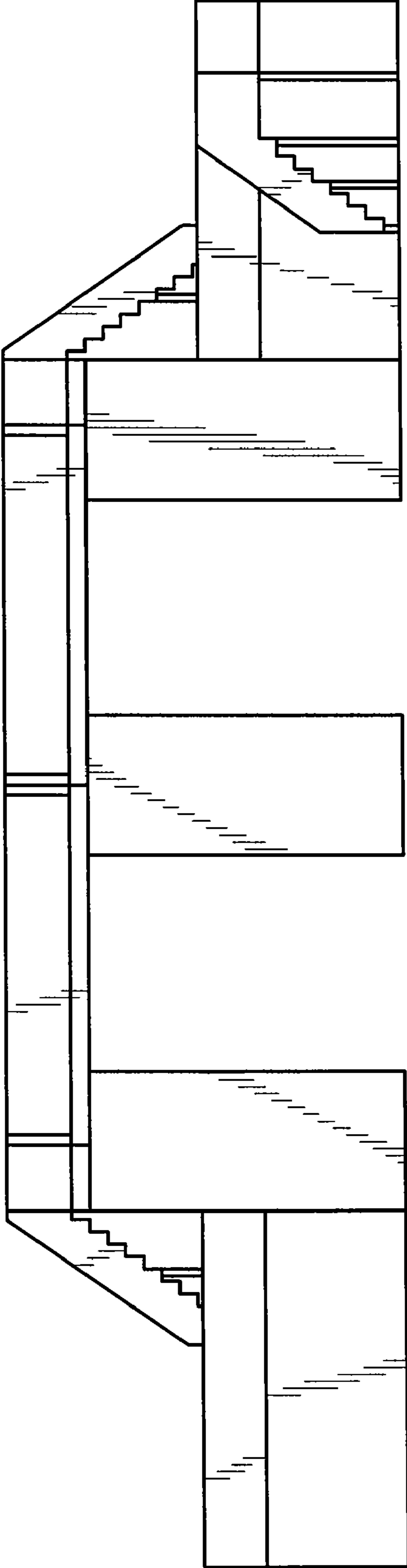


FIG. 3

**FIG. 4**

