



US00D609362S

(12) **United States Design Patent**
Rannikko et al.

(10) **Patent No.:** **US D609,362 S**
(45) **Date of Patent:** **** Feb. 2, 2010**

(54) **CONTROL SOLUTION CONTAINER**

(75) Inventors: **Minna A. Rannikko**, Millbury, MA (US); **Thomas M. Pizza**, Dracut, MA (US); **Edelizete S. Pauplis**, Winchendon, MA (US); **Randy H. Byrd**, Pepperell, MA (US)

(73) Assignee: **Bionostics, Inc.**, Devens, MA (US)

(**) Term: **14 Years**

(21) Appl. No.: **29/325,539**

(22) Filed: **Oct. 2, 2008**

| | | | | |
|--------------|-----|---------|----------------------|---------|
| 6,221,625 | B1 | 4/2001 | Ashihara et al. | |
| D442,078 | S * | 5/2001 | Fuquen | D9/707 |
| D456,910 | S * | 5/2002 | Clark et al. | D24/225 |
| D463,275 | S * | 9/2002 | Garcia | D9/696 |
| D477,670 | S * | 7/2003 | Jurik et al. | D24/225 |
| 6,638,249 | B1 | 10/2003 | Lal et al. | |
| 6,688,467 | B2 | 2/2004 | Krupka et al. | |
| D491,276 | S * | 6/2004 | Langille | D24/225 |
| 6,887,709 | B2 | 5/2005 | Leong | |
| D512,512 | S * | 12/2005 | Bell et al. | D24/225 |
| D558,357 | S | 12/2007 | Byrd et al. | |
| D571,928 | S * | 6/2008 | Rannikko et al. | D24/225 |
| 2001/0008614 | A1 | 7/2001 | Aronowitz | |

Related U.S. Application Data

(63) Continuation of application No. 11/756,716, filed on Jun. 1, 2007, which is a continuation-in-part of application No. 11/121,592, filed on May 4, 2005, now abandoned.

- (51) **LOC (9) Cl.** **24-01**
- (52) **U.S. Cl.** **D24/224**
- (58) **Field of Classification Search** D24/216-226, D24/118, 169; D10/81; 422/56, 58, 61, 422/63, 69, 99, 102; 436/65, 66; D9/707, D9/713, 714, 424, 433, 696; 222/107, 541.6
See application file for complete search history.

(56) **References Cited**

U.S. PATENT DOCUMENTS

| | | | | |
|-----------|-----|---------|------------------------|---------|
| 2,962,192 | A * | 11/1960 | Volckening | 222/107 |
| 3,184,149 | A | 5/1965 | Repko | |
| D284,215 | S * | 6/1986 | Sherwin et al. | D24/225 |
| 4,678,754 | A | 7/1987 | Hoskins | |
| 5,172,854 | A | 12/1992 | Epstein et al. | |
| D333,262 | S * | 2/1993 | Zogg | D9/433 |
| D354,906 | S * | 1/1995 | Lane et al. | D9/707 |
| D400,246 | S * | 10/1998 | Niedospial et al. | D24/118 |
| D408,533 | S * | 4/1999 | Niedospial et al. | D24/118 |
| D420,452 | S * | 2/2000 | Cardy | D24/225 |
| D421,307 | S * | 2/2000 | Harmanoglu | D24/216 |
| D430,303 | S * | 8/2000 | Cipkowski | D24/225 |

(Continued)

FOREIGN PATENT DOCUMENTS

| | | |
|----|--------------|---------|
| WO | WO 02 100265 | 12/2002 |
|----|--------------|---------|

Primary Examiner—T. Chase Nelson
Assistant Examiner—Anhdao Doan
(74) *Attorney, Agent, or Firm*—McDermott Will & Emery LLP

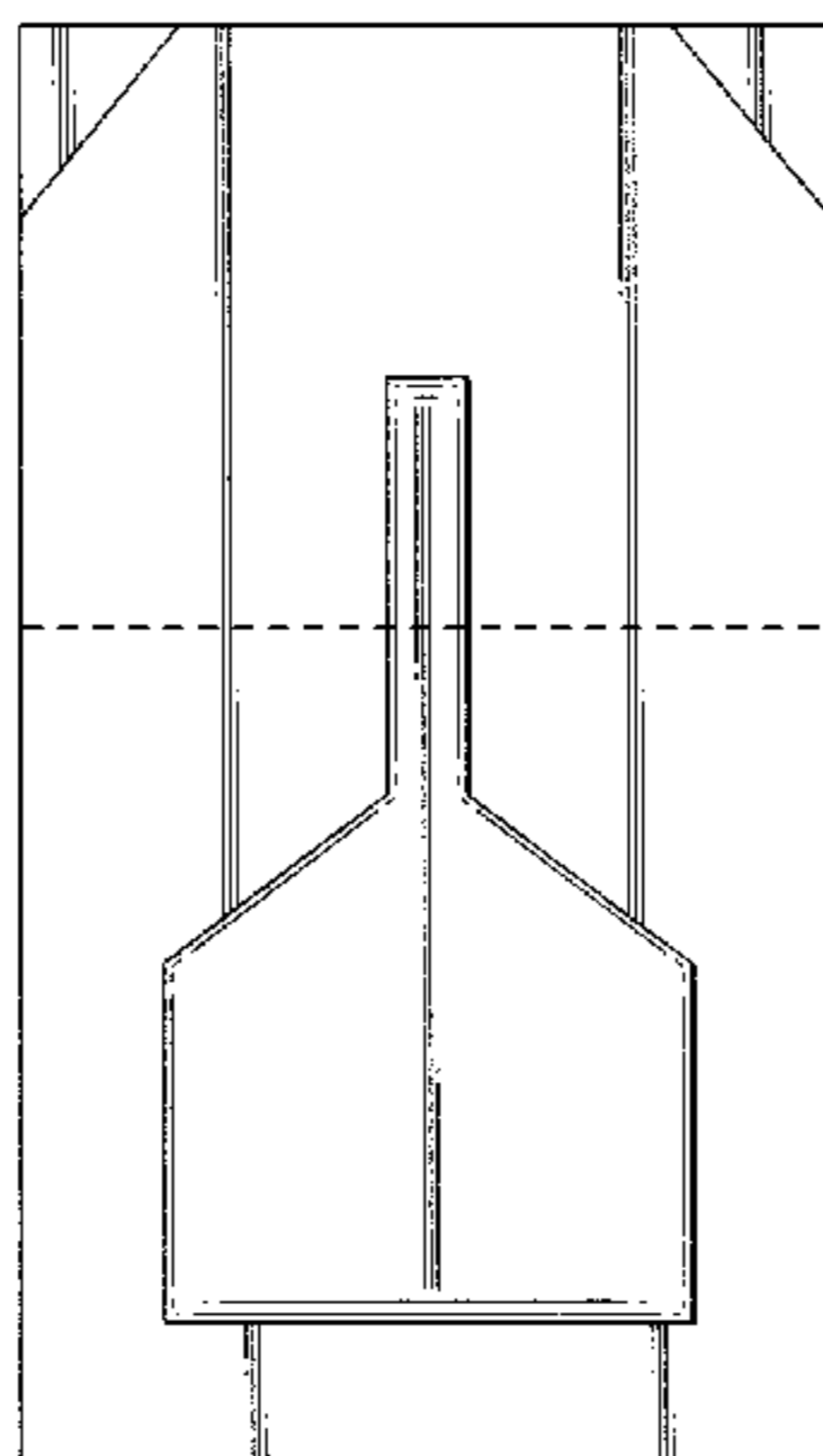
(57) **CLAIM**

The ornamental design for a control solution container, as shown and described.

DESCRIPTION

FIG. 1 is a top view of a control solution container, showing the new design, where the broken line represents a perforation, not environmental structure;
FIG. 2 is a side view of FIG. 1; and,
FIG. 3 is a bottom view of FIG. 1.

1 Claim, 1 Drawing Sheet



US D609,362 S

Page 2

U.S. PATENT DOCUMENTS

2008/0135559 A1 6/2008 Byrd

2003/0211616 A1 11/2003 Leong

2007/0274869 A1* 11/2007 Rannikko et al. 422/99 * cited by examiner

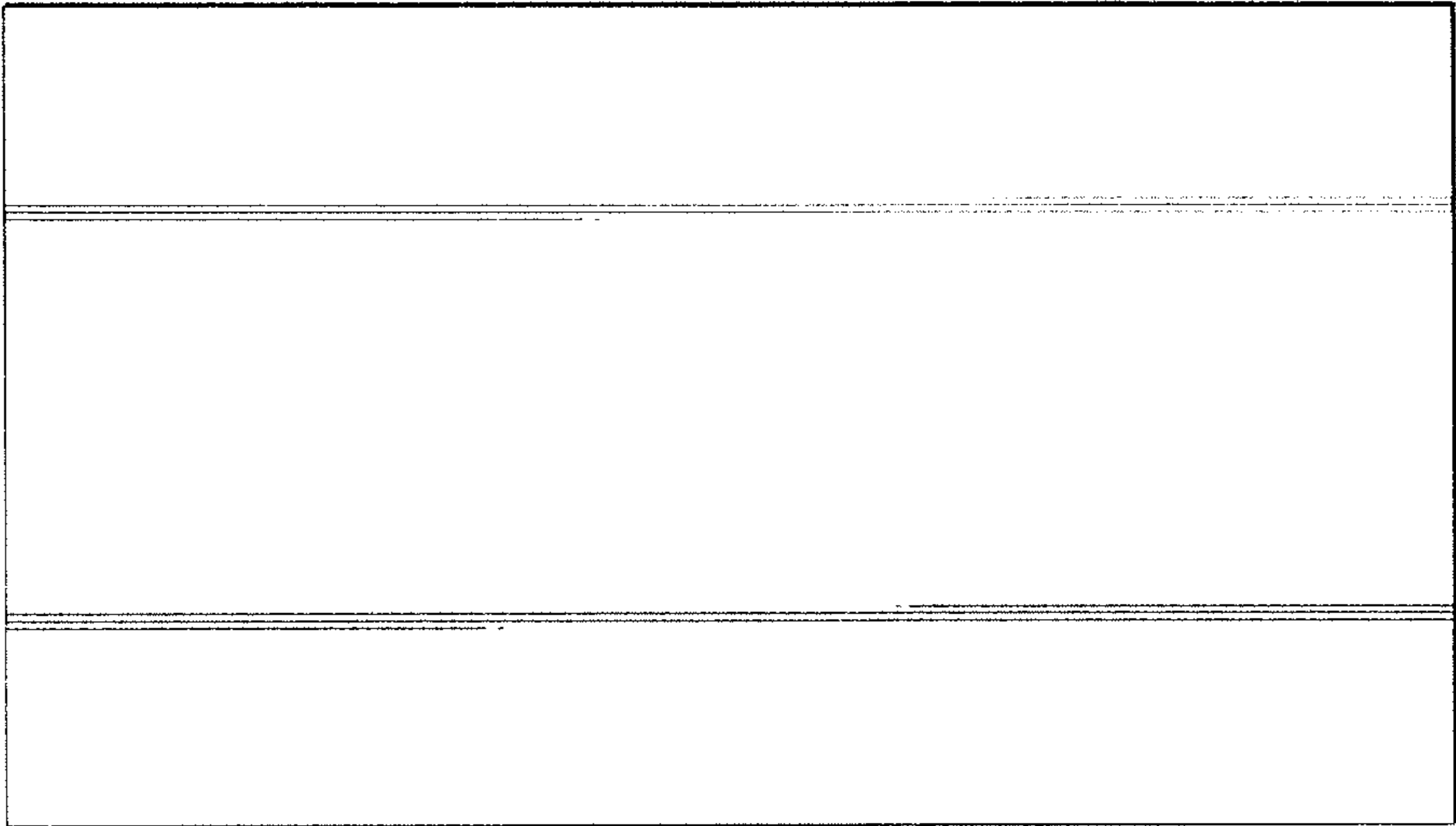


FIG. 3

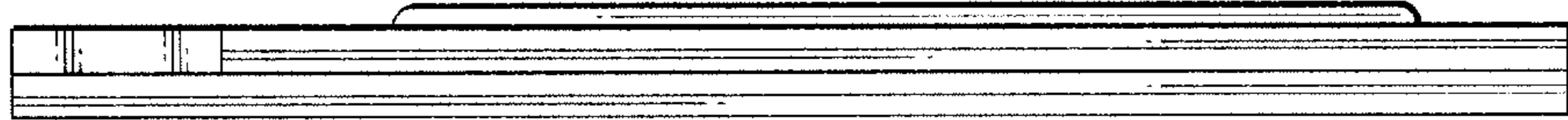


FIG. 2

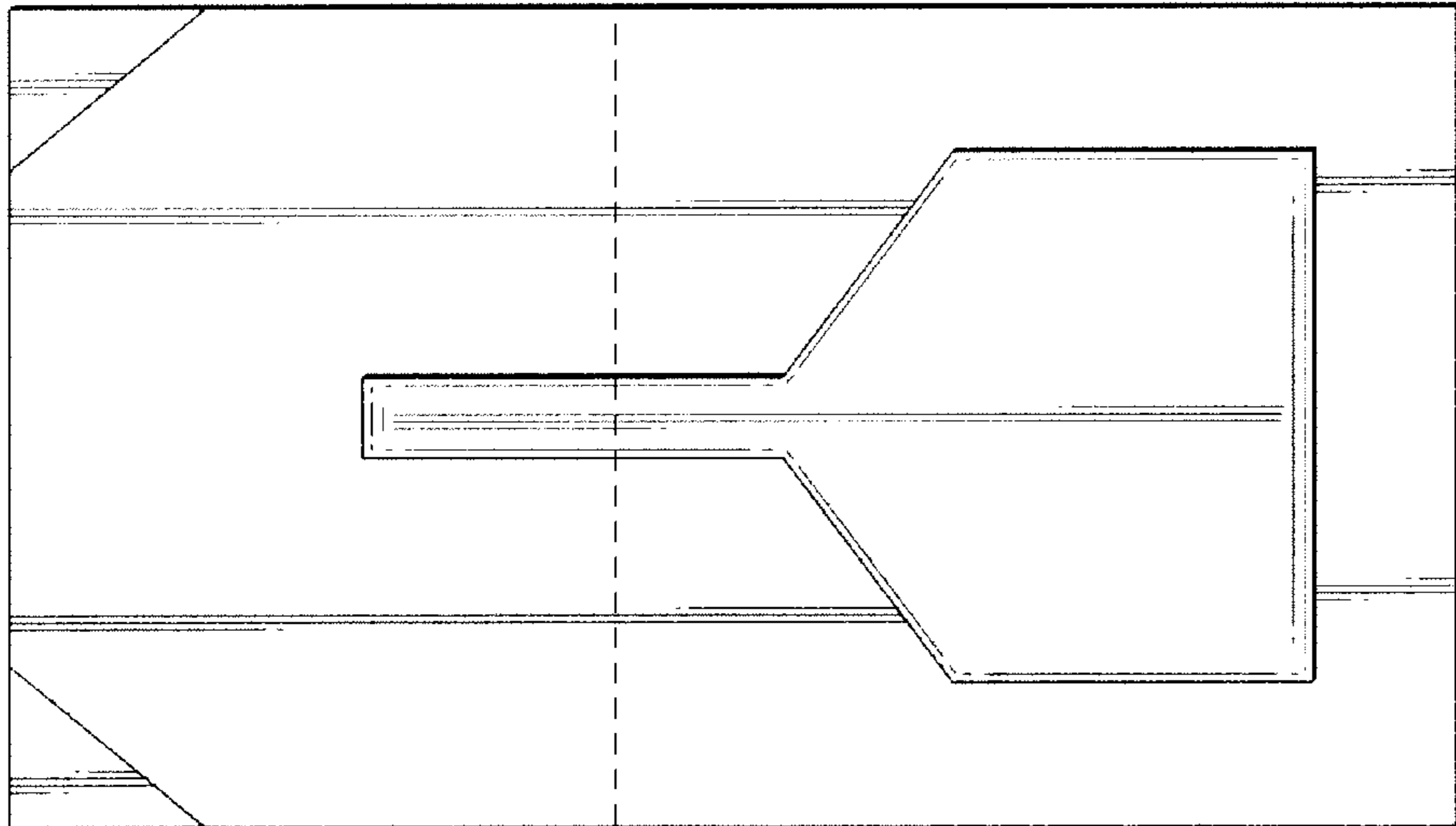


FIG. 1