



US00D609350S

(12) **United States Design Patent**
Hickey et al.

(10) **Patent No.:** **US D609,350 S**
(45) **Date of Patent:** **** Feb. 2, 2010**

(54) **DISPLAY FOR DIALYSIS MACHINE**

(75) Inventors: **Katherine M. Hickey**, Manchester, NH
(US); **Jesse T. Bodwell**, Manchester, NH
(US); **Jason A. Demers**, Manchester, NH
(US)

(73) Assignee: **DEKA Products Limited Partnership**,
Manchester, NH (US)

(**) Term: **14 Years**

(21) Appl. No.: **29/331,311**

(22) Filed: **Jan. 23, 2009**

(51) **LOC (9) Cl.** **24-01**

(52) **U.S. Cl.** **D24/186**

(58) **Field of Classification Search** D24/107,
D24/137-138, 158, 160, 164-165, 167, 169-170,
D24/186-187, 231, 232; D10/78, 81, 104;
600/300-301, 368, 372, 481, 529, 544, 554,
600/561; 422/1, 61, 68.1, 99-104, 129; 128/903,
128/671; D14/371-376, 125-129, 356; 210/646;
361/681; 248/917-924, 371; 345/104, 156,
345/173-174, 901-905
See application file for complete search history.

(56) **References Cited**

U.S. PATENT DOCUMENTS

D383,842	S	*	9/1997	Kenley et al.	D24/169
D389,916	S	*	1/1998	DiPerna et al.	D24/169
D406,894	S	*	3/1999	Menhennett et al.	D24/169
D410,906	S	*	6/1999	Chen	D14/126
D410,907	S	*	6/1999	Cavello	D14/374
D412,748	S	*	8/1999	Nabarro	D24/160
D414,754	S	*	10/1999	Jung	D14/375
D422,576	S	*	4/2000	Chuo et al.	D14/126
6,143,181	A	*	11/2000	Falkvall et al.	210/646
D459,477	S	*	6/2002	Stocks et al.	D24/164
D483,872	S	*	12/2003	Cruz et al.	D24/186
D509,900	S	*	9/2005	Barnes et al.	D24/160
D531,631	S	*	11/2006	Andre et al.	D14/375

D538,432	S	*	3/2007	Diener et al.	D24/160
D546,459	S	*	7/2007	Banryu	D24/186
D556,709	S	*	12/2007	Kim et al.	D14/126
D558,201	S	*	12/2007	Park et al.	D14/375
D558,350	S	*	12/2007	Kitayama	D24/186
D558,351	S	*	12/2007	Diener et al.	D24/186
D560,280	S	*	1/2008	Skwarek et al.	D24/186
D562,785	S	*	2/2008	Fujii	D14/126
D571,011	S	*	6/2008	Otoha et al.	D24/158
2004/0179332	A1	*	9/2004	Smith et al.	361/681

* cited by examiner

Primary Examiner—T. Chase Nelson

Assistant Examiner—Mark Cavanna

(74) *Attorney, Agent, or Firm*—Wolf, Greenfield & Sacks,
P.C.

(57) **CLAIM**

The ornamental design for a display for dialysis machine, as shown and described.

DESCRIPTION

FIG. 1 is a perspective view of the display for dialysis machine showing the top, front and left sides thereof;

FIG. 2 is a perspective view of the display for dialysis machine showing the top, front and right sides thereof;

FIG. 3 is a perspective view of the display for dialysis machine showing the top, rear and right sides thereof;

FIG. 4 is a perspective view of the display for dialysis machine showing the top, rear and left sides thereof;

FIG. 5 is a front side view thereof;

FIG. 6 is a left side view thereof;

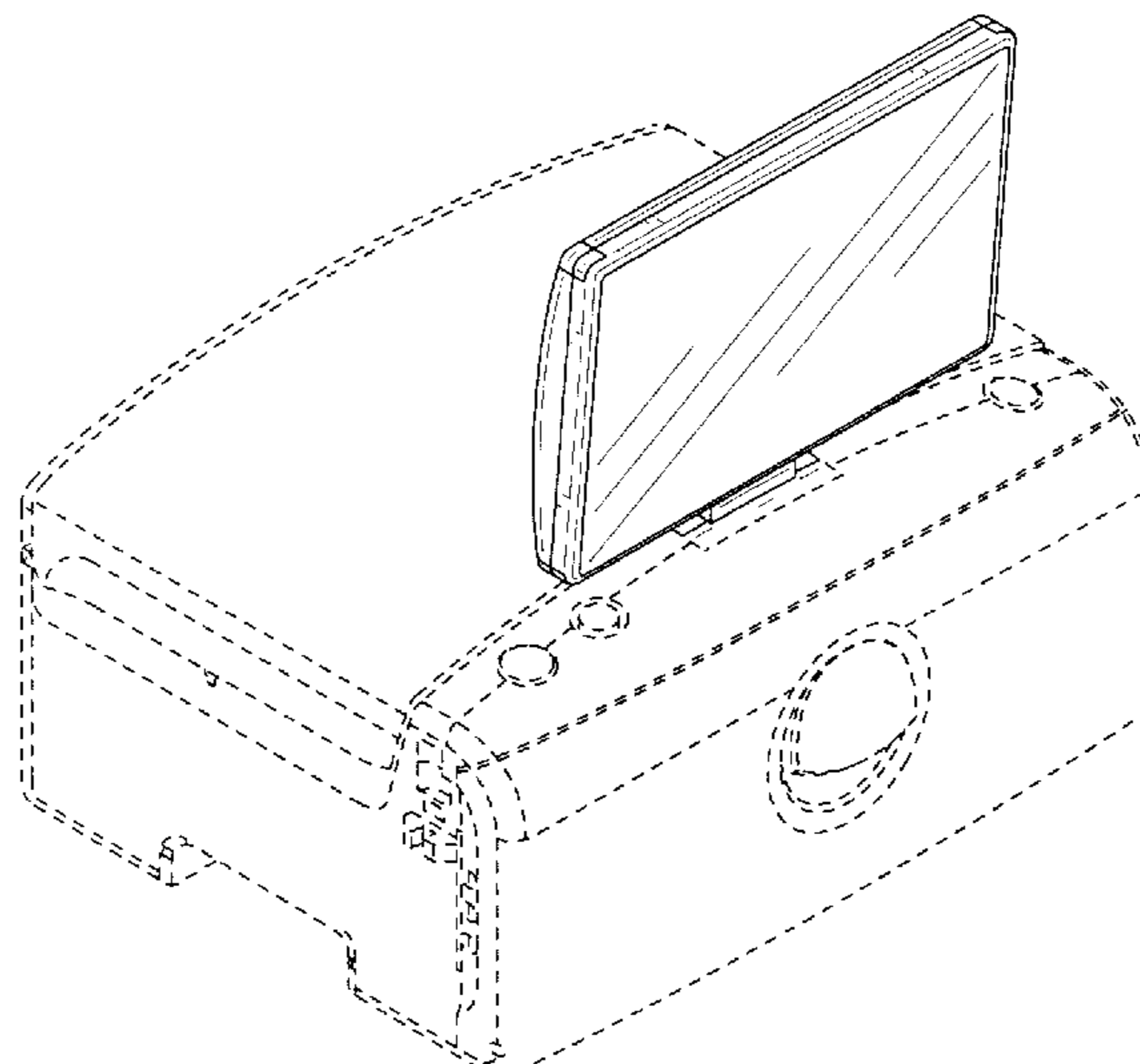
FIG. 7 is a right side view thereof;

FIG. 8 is a top side view thereof; and,

FIG. 9 is a rear side view thereof.

The broken line representations in the figures are for illustrative purposes only and form no part of the claimed design.

1 Claim, 9 Drawing Sheets



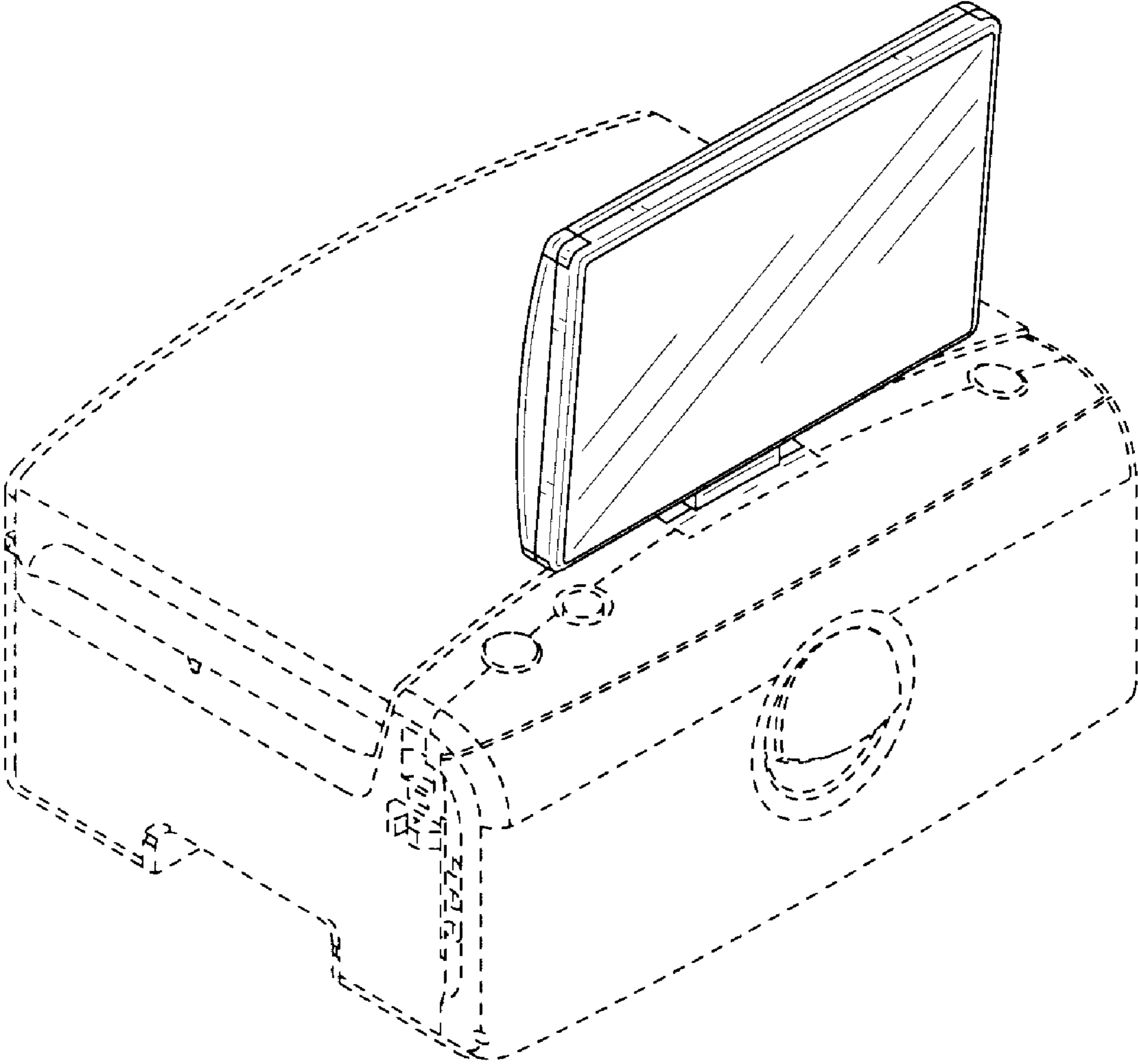


FIG. 1

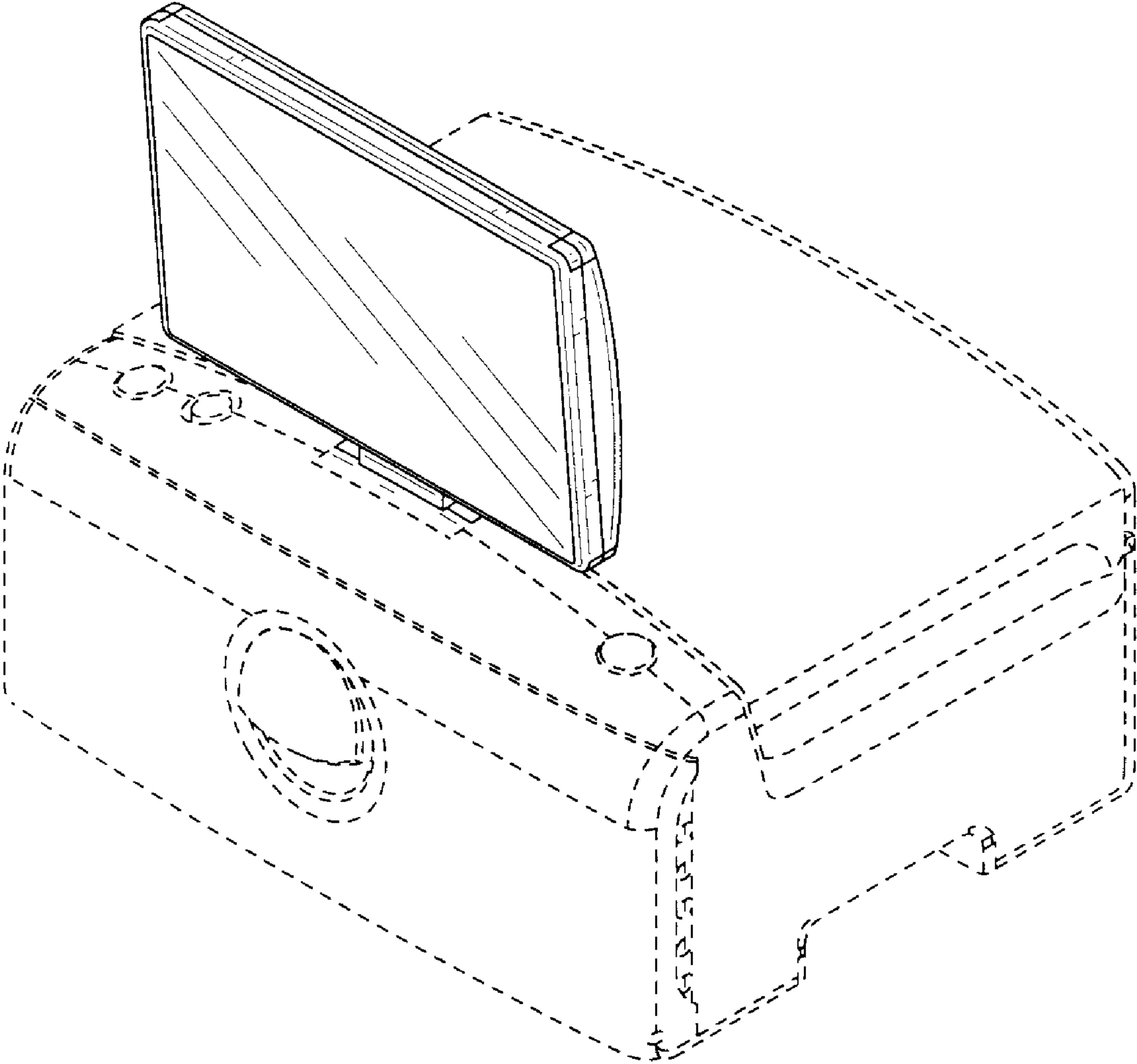


FIG. 2

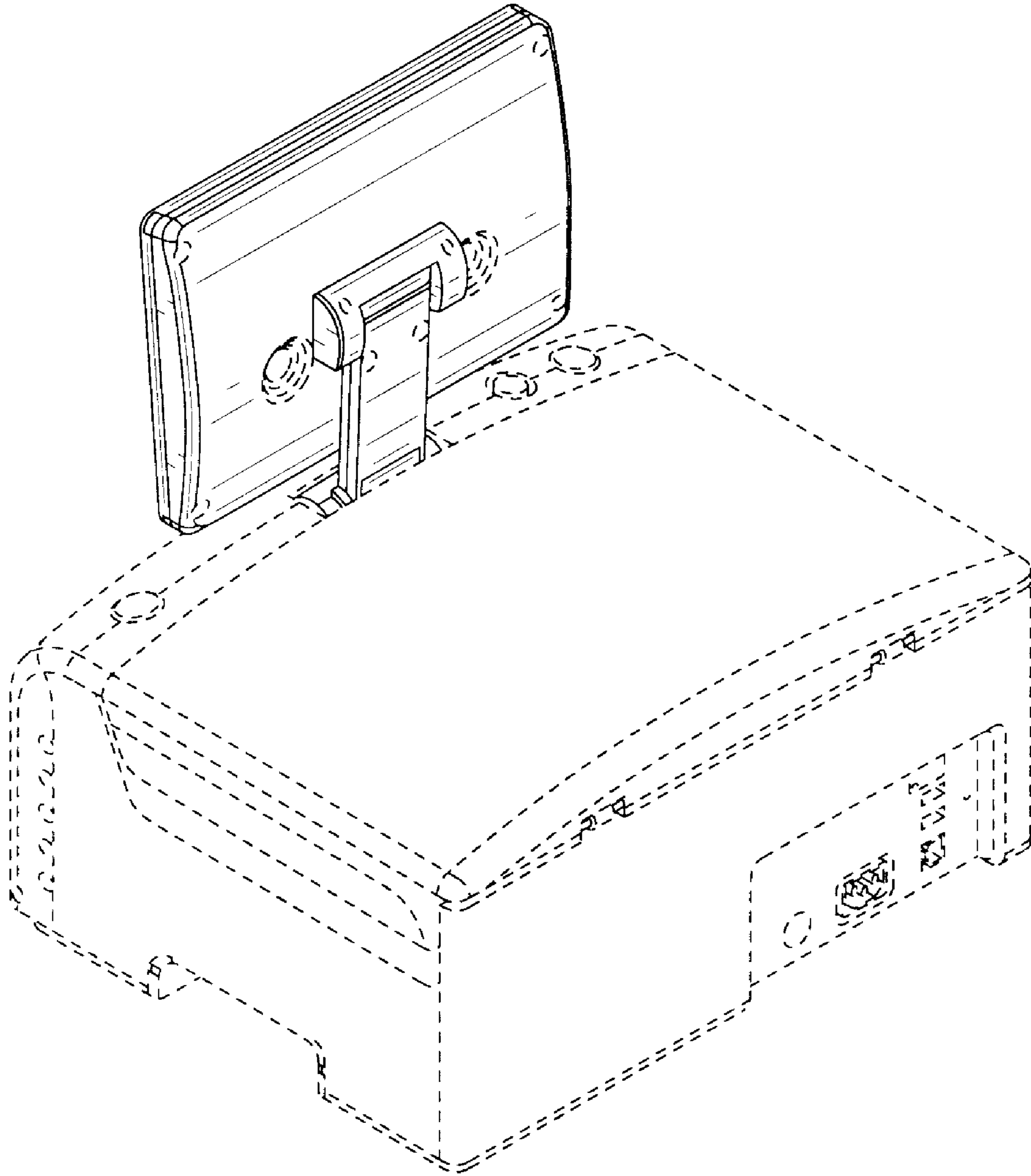


FIG. 3

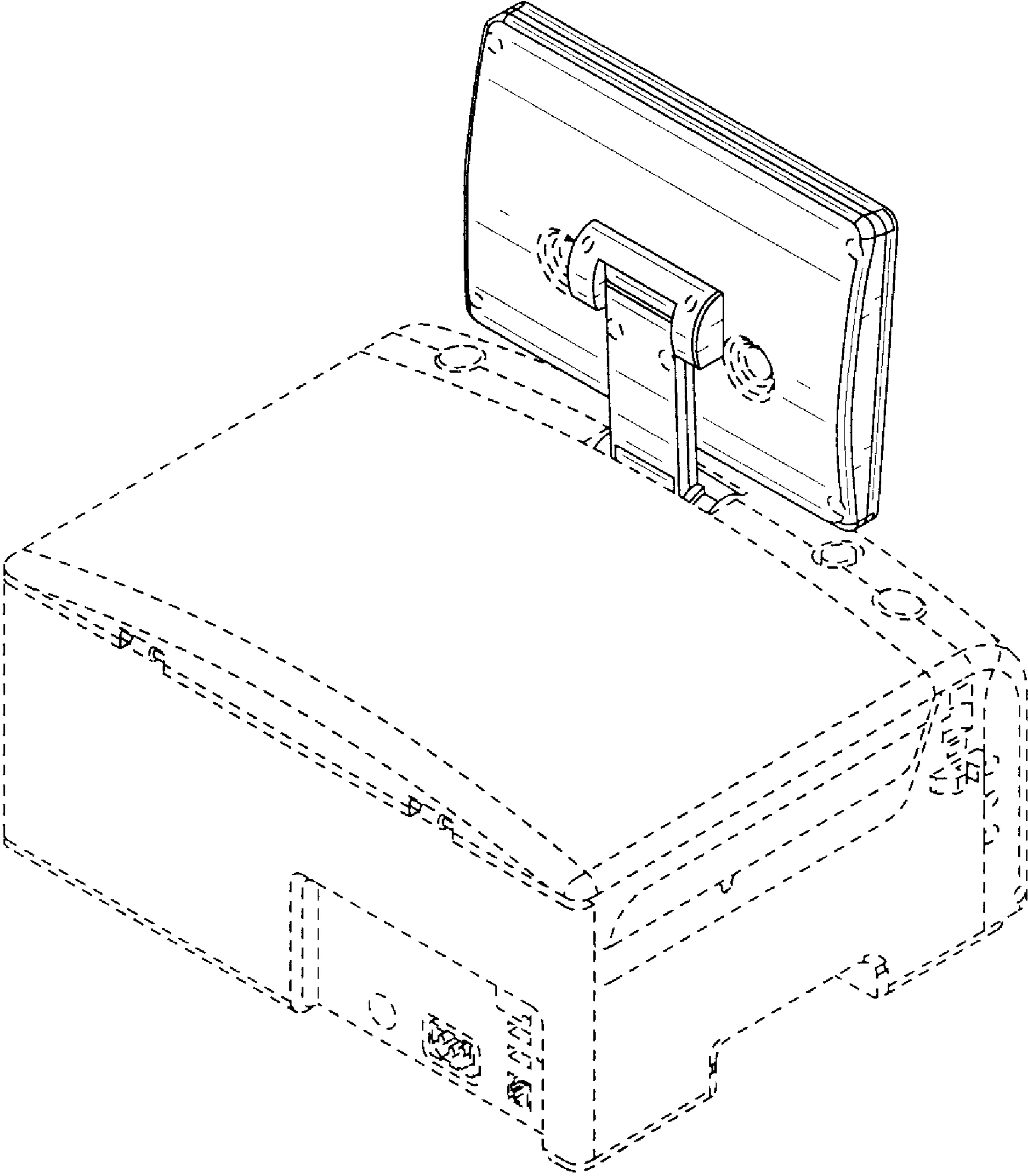


FIG. 4

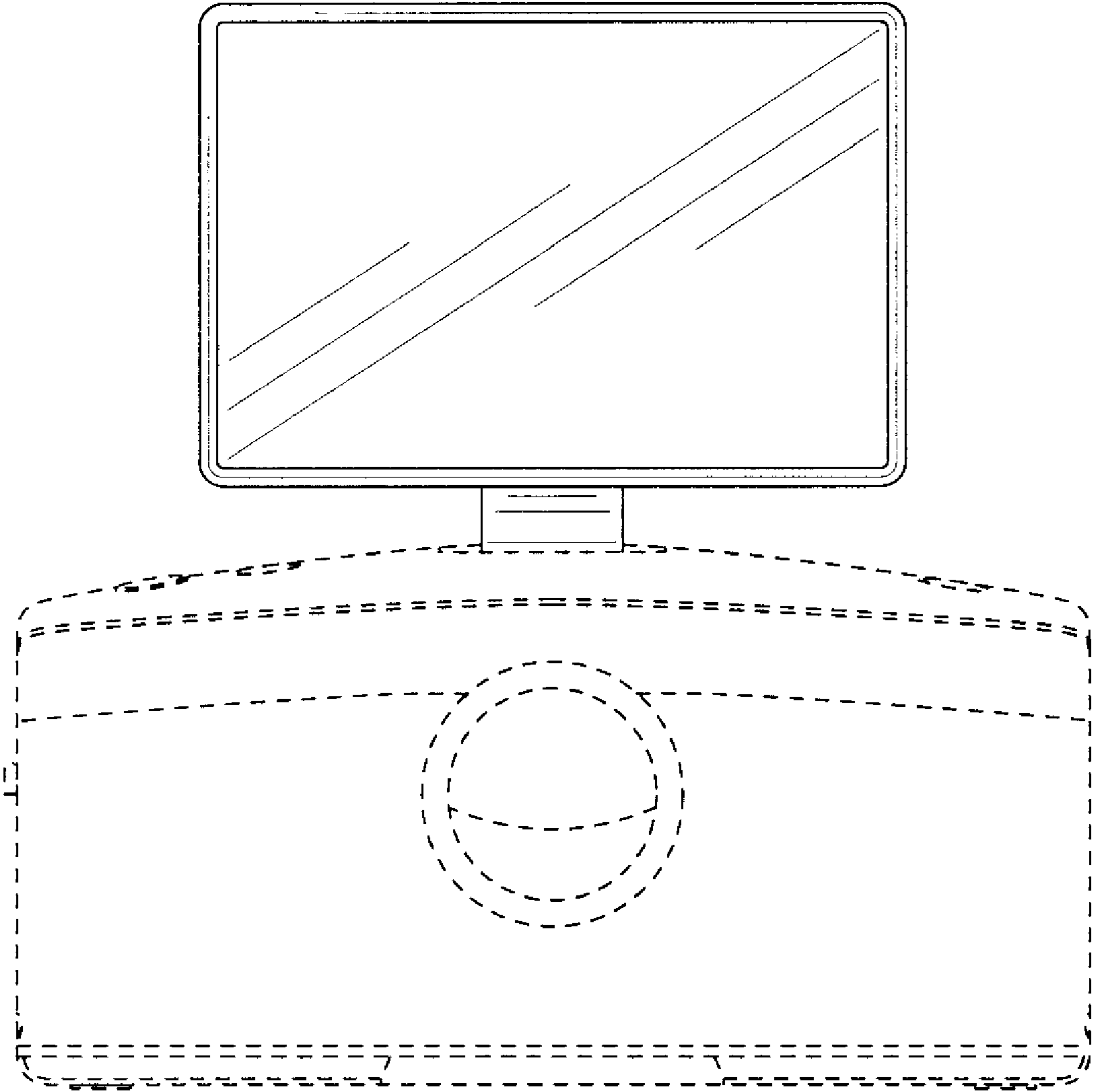


FIG. 5

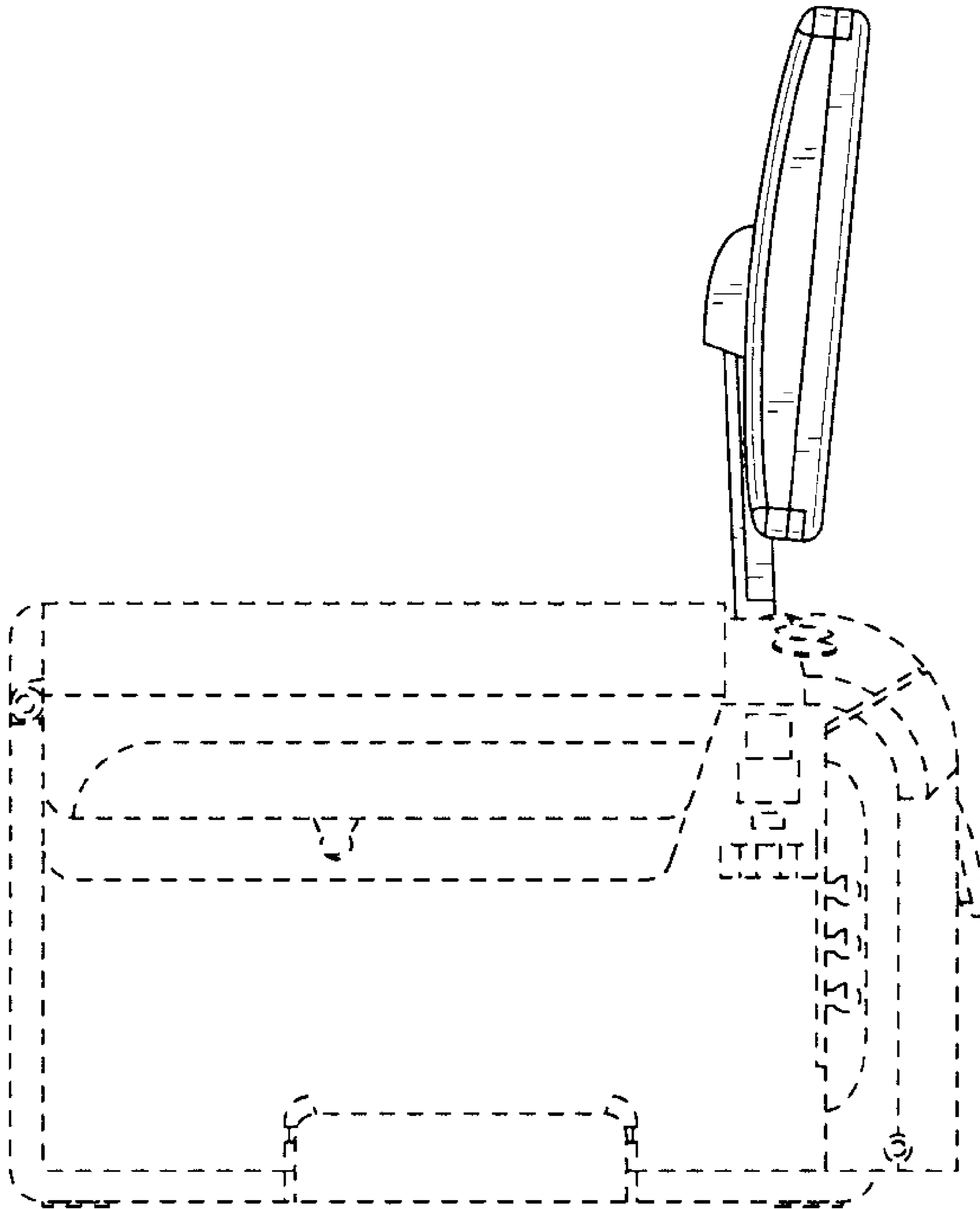


FIG. 6

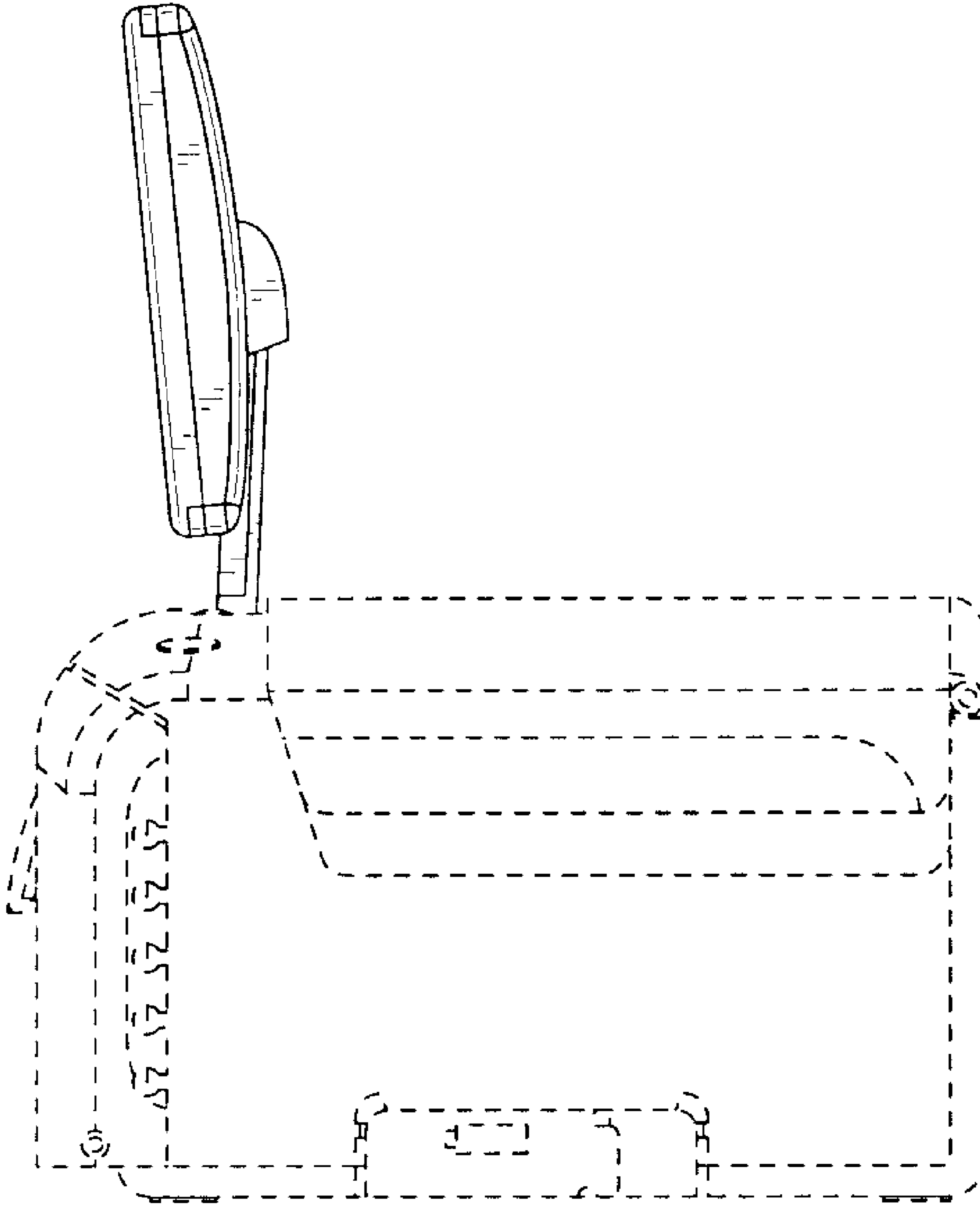


FIG. 7

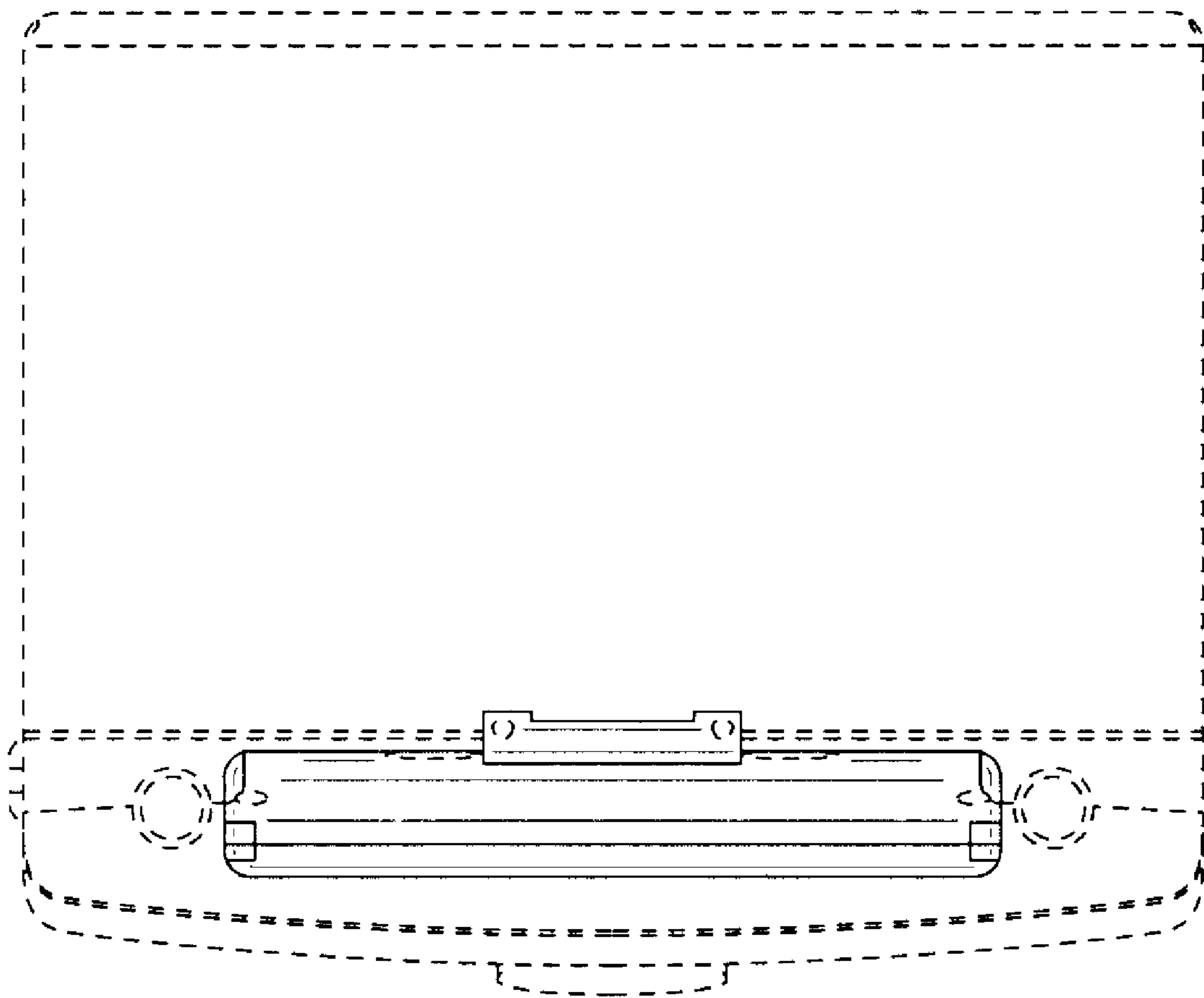


FIG. 8

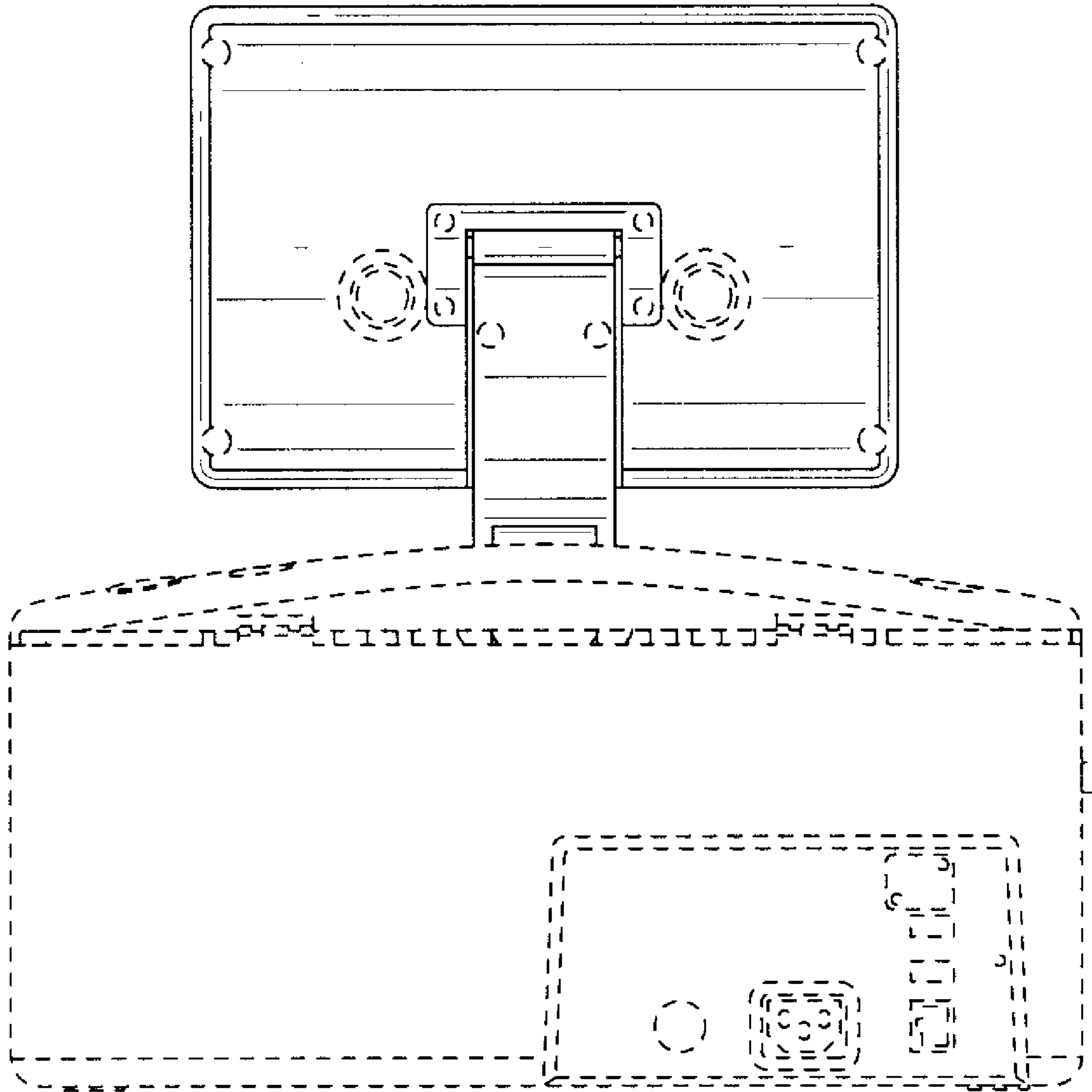


FIG. 9