



US00D609349S

(12) **United States Design Patent**
Pelissier et al.

(10) **Patent No.:** **US D609,349 S**

(45) **Date of Patent:** **** Feb. 2, 2010**

(54) **ULTRASOUND UNIT**

(76) Inventors: **Laurent Pelissier**, 3720 West 2nd Avenue, Vancouver, BC (CA) V6R 1J9; **Alex Antonio**, 5452 Manor Street, Burnaby, BC (CA) V5G 1B7; **Sergio Bernardo**, 7425 Kinchen Drive, Prince George, BC (CA) V2K 3N3

(**) Term: **14 Years**

(21) Appl. No.: **29/323,355**

(22) Filed: **Aug. 22, 2008**

(51) **LOC (9) Cl.** **24-01**

(52) **U.S. Cl.** **D24/186**

(58) **Field of Classification Search** D24/107, D24/158, 160, 185–186, 231, 232; 128/915–916, 128/922, 660.01, 660.02, 660.03, 660.07, 128/653; 600/437–457; 248/918
See application file for complete search history.

(56) **References Cited**

U.S. PATENT DOCUMENTS

5,129,397	A *	7/1992	Jingu et al.	600/437
D354,353	S *	1/1995	Ishizuka et al.	D24/160
D365,148	S *	12/1995	Murakami et al.	D24/160
D368,521	S *	4/1996	Asai et al.	D24/160
D394,712	S *	5/1998	Henderson et al.	D24/160
D461,895	S *	8/2002	Barnes et al.	D24/158
D480,810	S *	10/2003	Gumisawa	D24/158
D512,508	S *	12/2005	Mesaros	D24/185

D517,768	S *	3/2006	Arceta	D24/185
D518,267	S *	3/2006	Arceta	D24/185
D544,962	S *	6/2007	Diener et al.	D24/186
D560,807	S *	1/2008	Kitayama et al.	D24/158
D571,011	S *	6/2008	Otoha et al.	D24/158

* cited by examiner

Primary Examiner—T. Chase Nelson

Assistant Examiner—Mark Cavanna

(74) *Attorney, Agent, or Firm*—Oyen Wiggs Green & Mutala LLP

(57) **CLAIM**

The ornamental design for a ultrasound unit, as shown and described.

DESCRIPTION

FIG. 1 is a perspective view of the ultrasound unit;

FIG. 2 is a front view thereof;

FIG. 3 is a right side view thereof;

FIG. 4 is a left side view thereof;

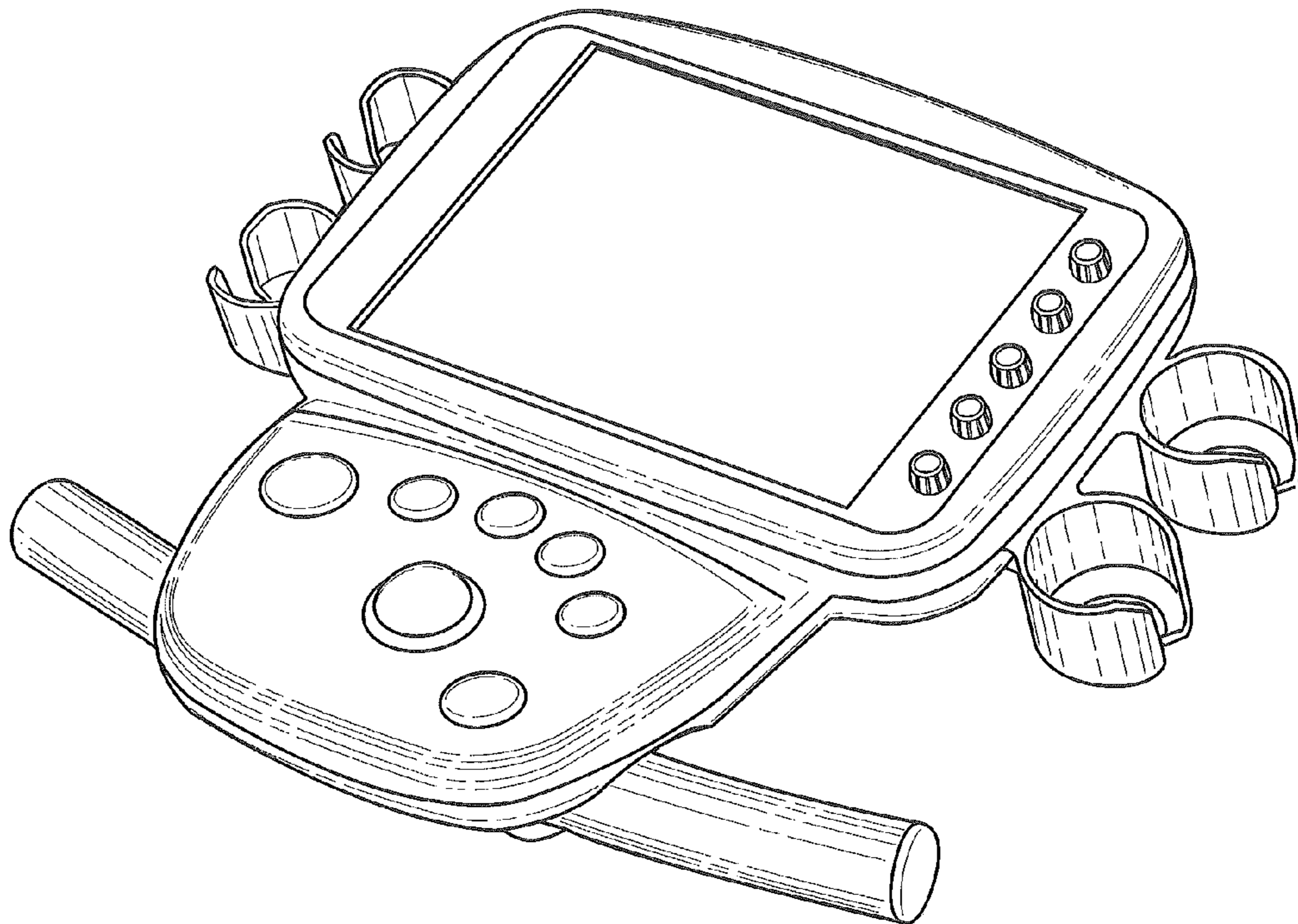
FIG. 5 is a rear view thereof;

FIG. 6 is a bottom view thereof; and,

FIG. 7 is a top view thereof.

The broken lines shown are included for the purpose of illustrating portions of the ultrasound unit that form no part of the claimed design.

1 Claim, 7 Drawing Sheets



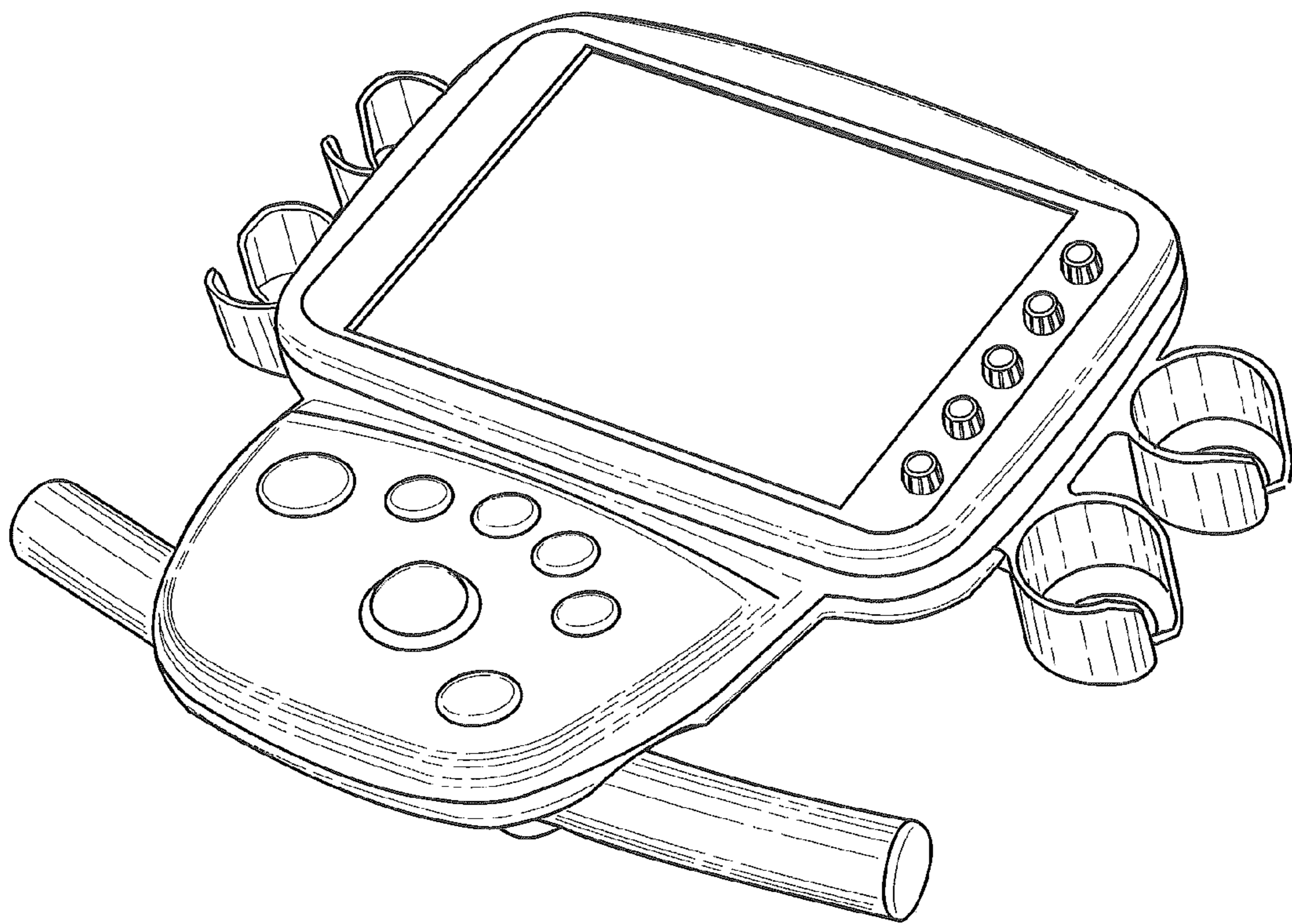


FIGURE 1

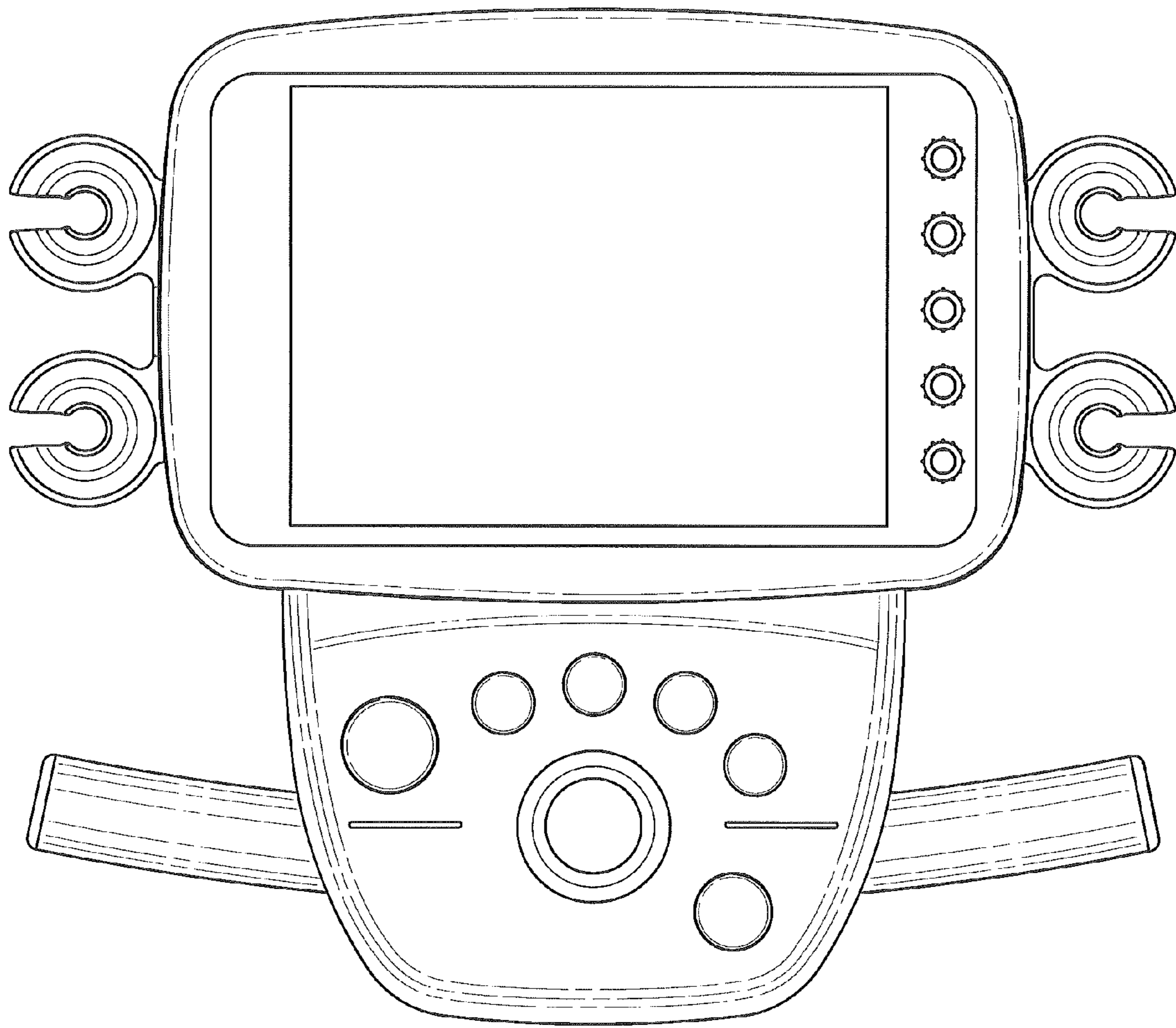


FIGURE 2

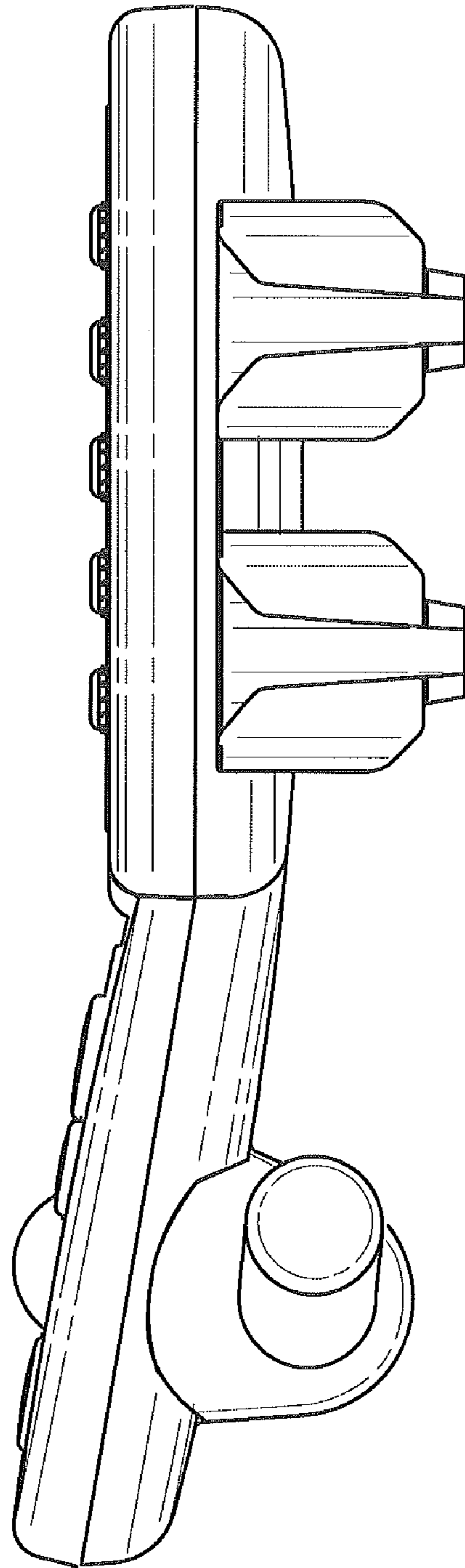


FIGURE 3

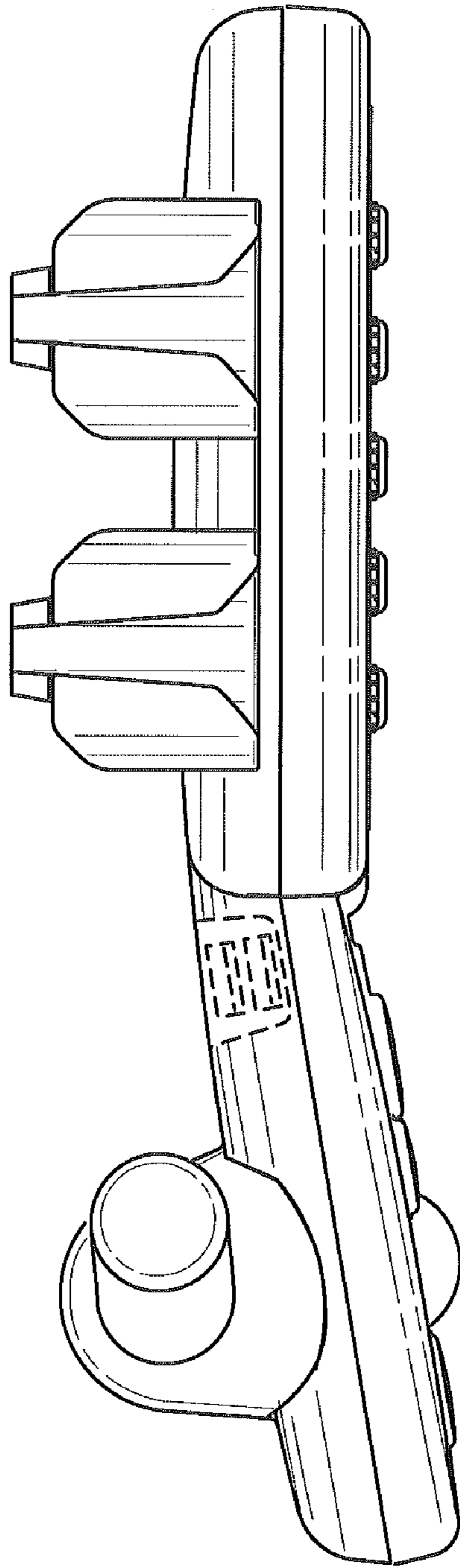


FIGURE 4

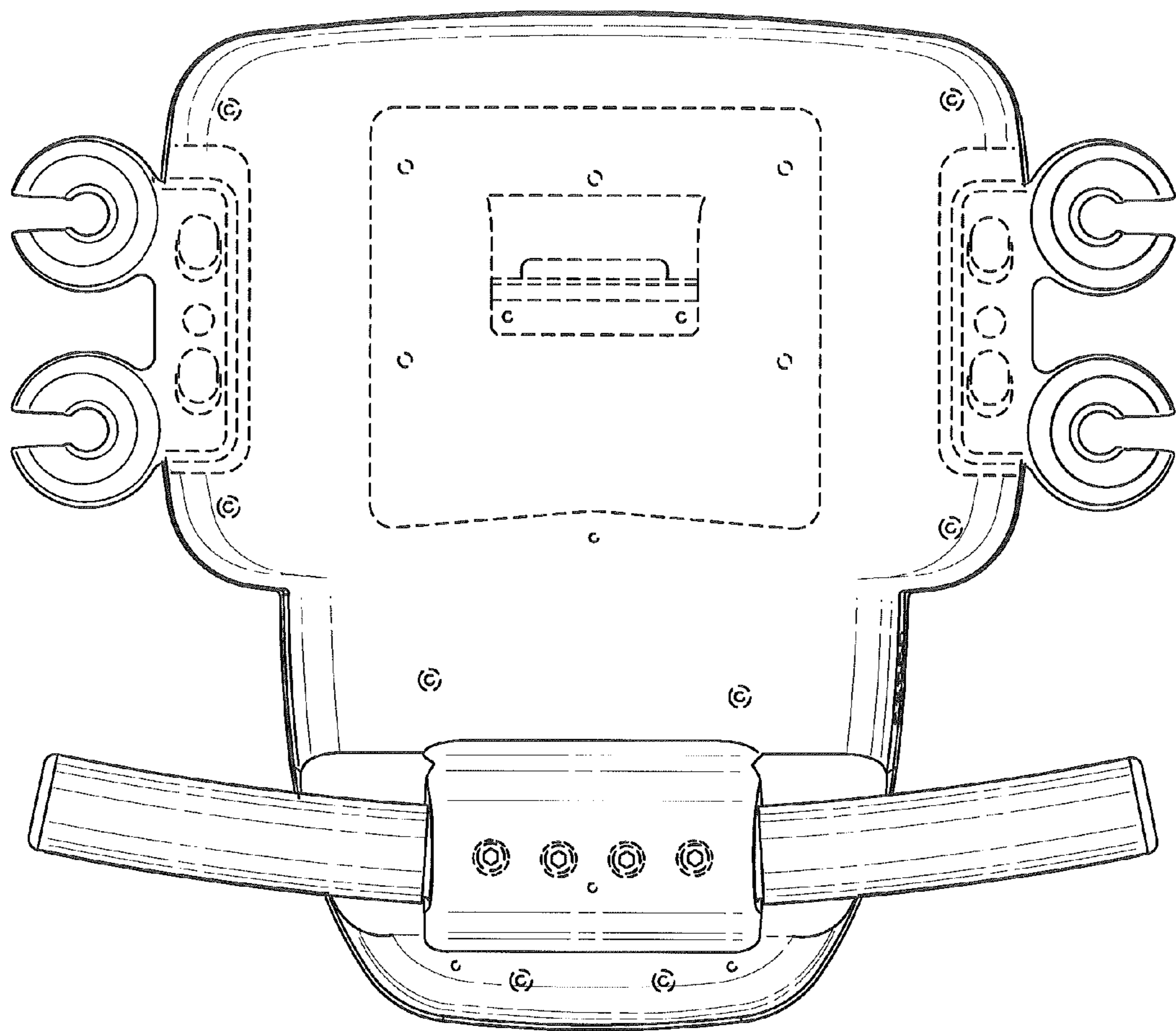


FIGURE 5

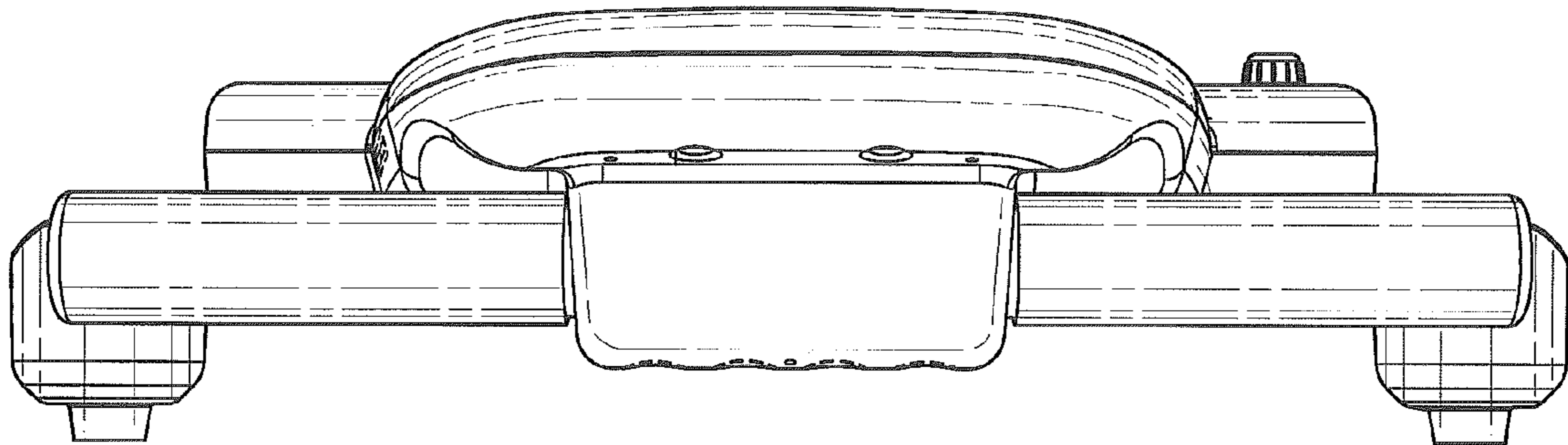


FIGURE 6

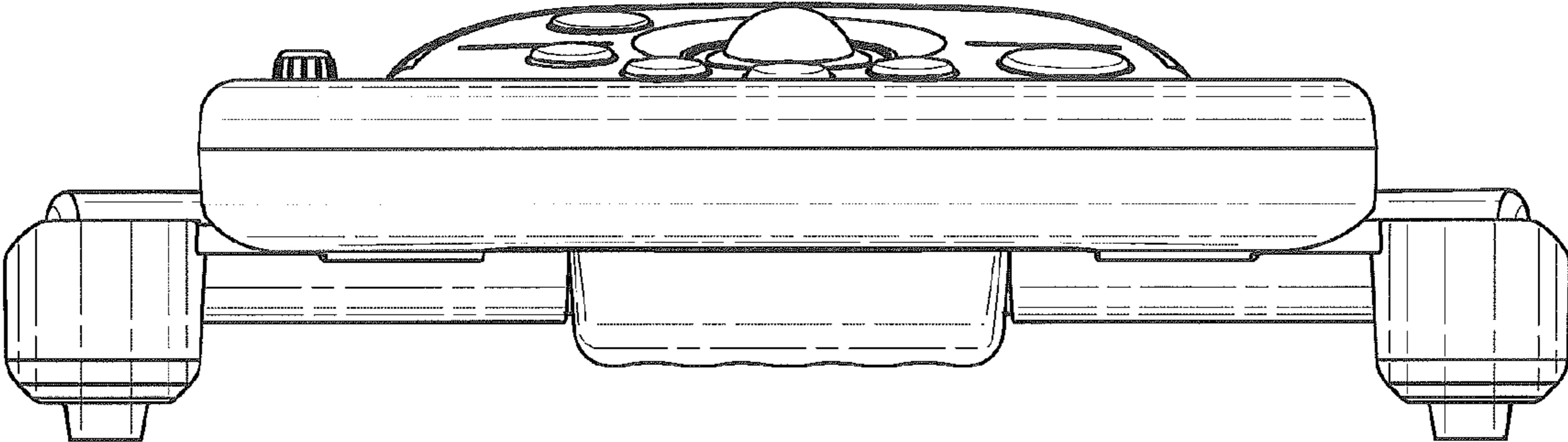


FIGURE 7