

US00D609345S

(12) **United States Design Patent**  
**Edge et al.**

(10) **Patent No.:** **US D609,345 S**  
(45) **Date of Patent:** **\*\* Feb. 2, 2010**

(54) **DISPOSABLE BLOOD PRESSURE CUFF PROTECTOR**

(76) Inventors: **Ella D. Edge**, P.O. Box 889, Lithia, FL (US) 33547; **Malinda L. Crews**, 3159 Valley High Dr., Lakeland, FL (US) 33812

(\*\*) Term: **14 Years**

(21) Appl. No.: **29/314,651**

(22) Filed: **Apr. 17, 2009**

(51) **LOC (9) Cl.** ..... **24-02**

(52) **U.S. Cl.** ..... **D24/165**

(58) **Field of Classification Search** ..... D24/164-169, D24/186; D10/98; 600/301, 481, 483-485, 600/490, 493-495, 499, 500, 501; 128/900; 606/202

See application file for complete search history.

(56) **References Cited**

**U.S. PATENT DOCUMENTS**

- 2,618,269 A \* 11/1952 Baum et al. .... 606/202
- 4,354,503 A \* 10/1982 Golden ..... 600/499
- D324,425 S \* 3/1992 Yoshikawa et al. .... D24/165

- D356,155 S \* 3/1995 Caven ..... D24/165
- 5,411,518 A \* 5/1995 Goldstein et al. .... 606/202
- 5,651,368 A \* 7/1997 Napolitano et al. .... 600/490
- D417,002 S \* 11/1999 Scott ..... D24/165
- D455,491 S \* 4/2002 Maturaporn ..... D24/165
- D532,519 S \* 11/2006 Aujla et al. .... D24/169
- D583,477 S \* 12/2008 Kato ..... D24/165
- 2006/0178584 A1 \* 8/2006 Karo et al. .... 600/499

\* cited by examiner

*Primary Examiner*—T. Chase Nelson

*Assistant Examiner*—Anhdao Doan

(74) *Attorney, Agent, or Firm*—Richard L. Mikesell

(57) **CLAIM**

The ornamental design for a disposable blood pressure cuff protector, as shown and described.

**DESCRIPTION**

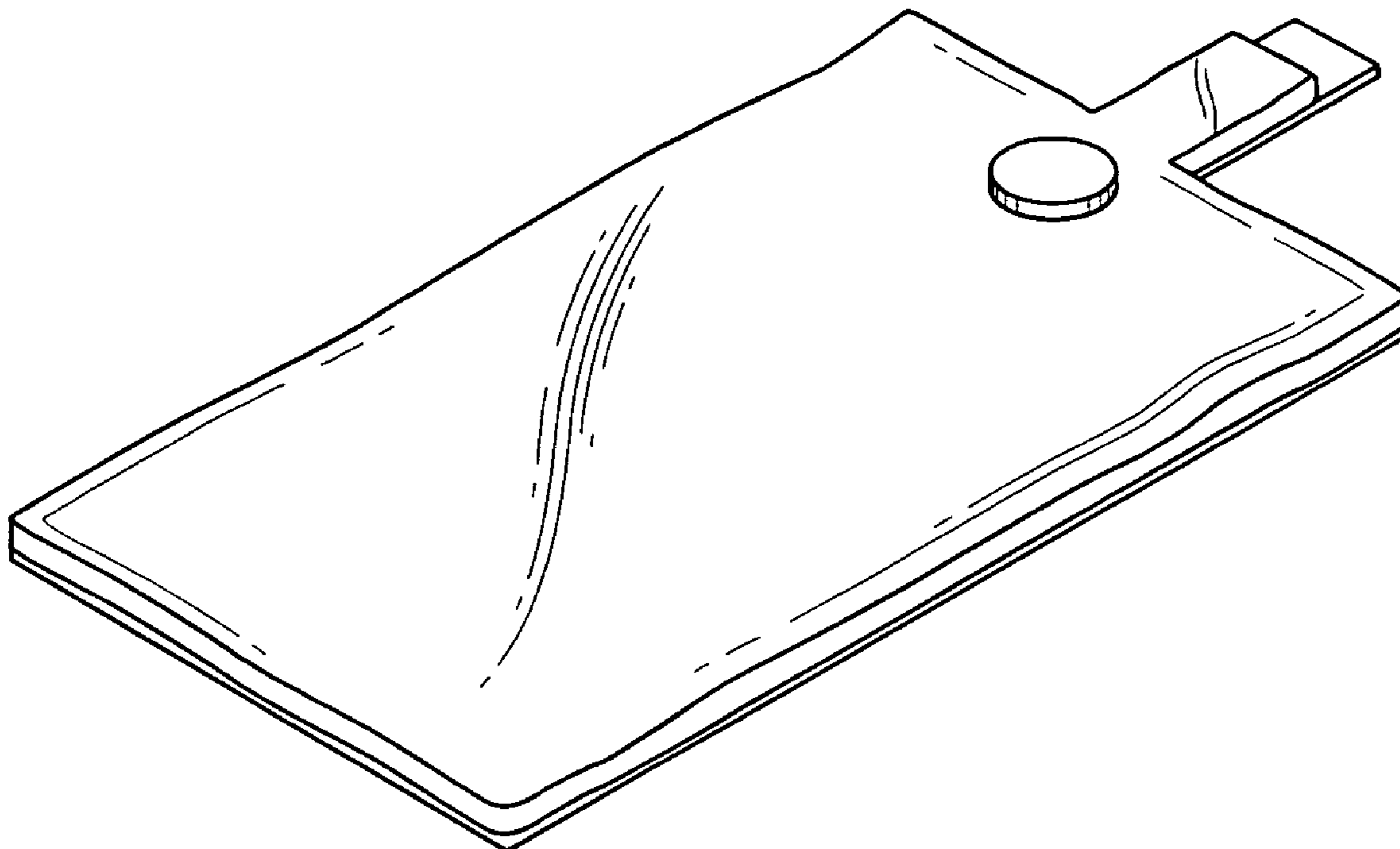
FIG. 1 is a top perspective view of a disposable blood pressure cuff protector showing our new design;

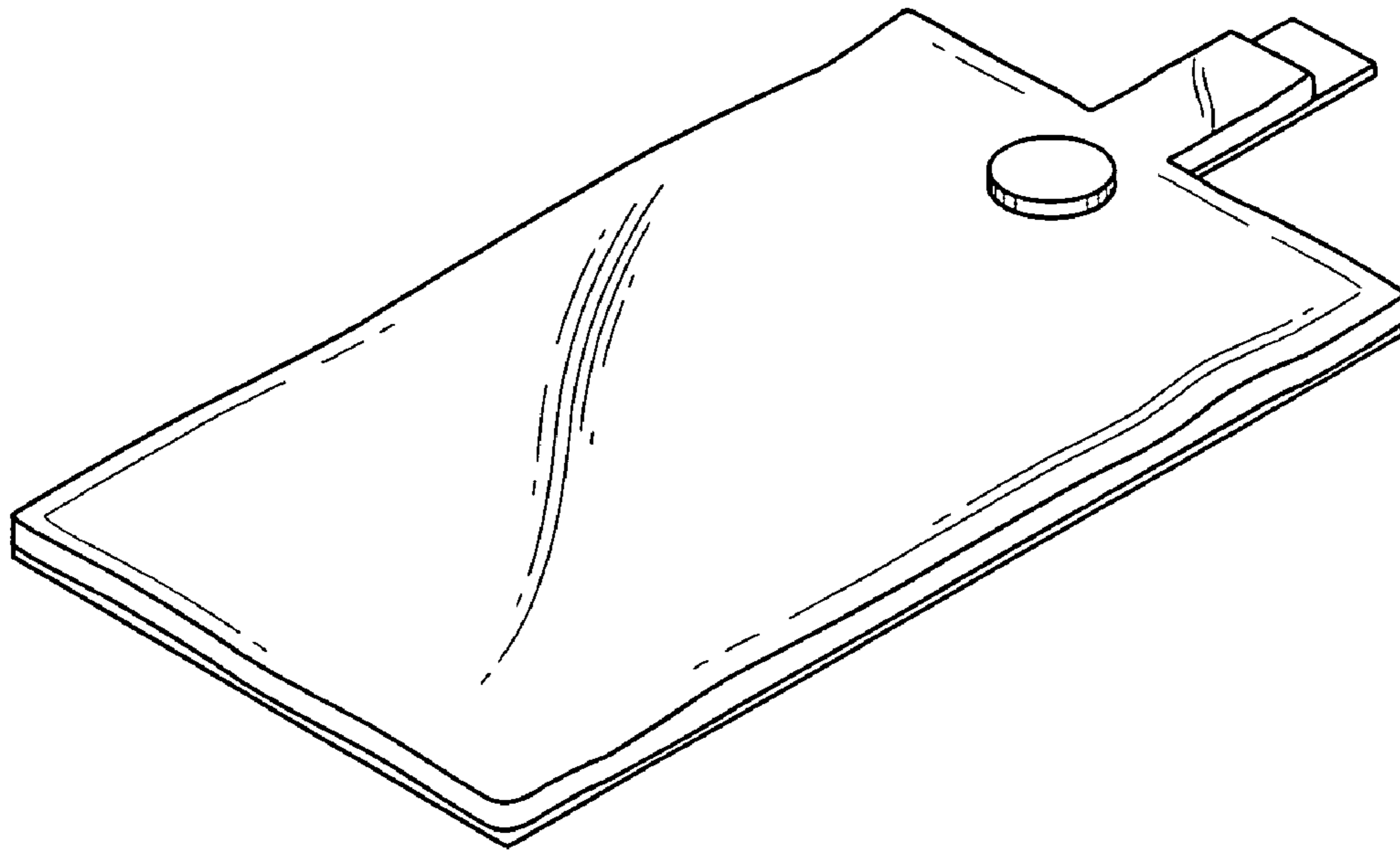
FIG. 2 is a side view thereof;

FIG. 3 is a bottom perspective view thereof; and,

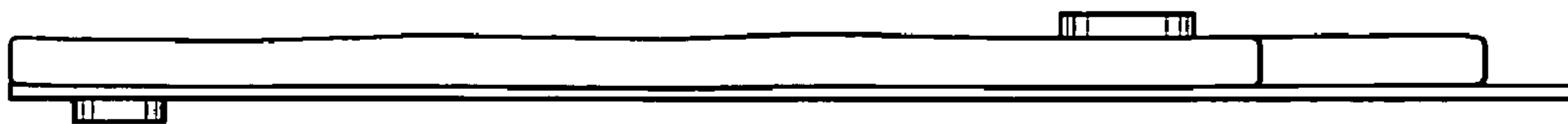
FIG. 4 is an end view thereof.

**1 Claim, 2 Drawing Sheets**

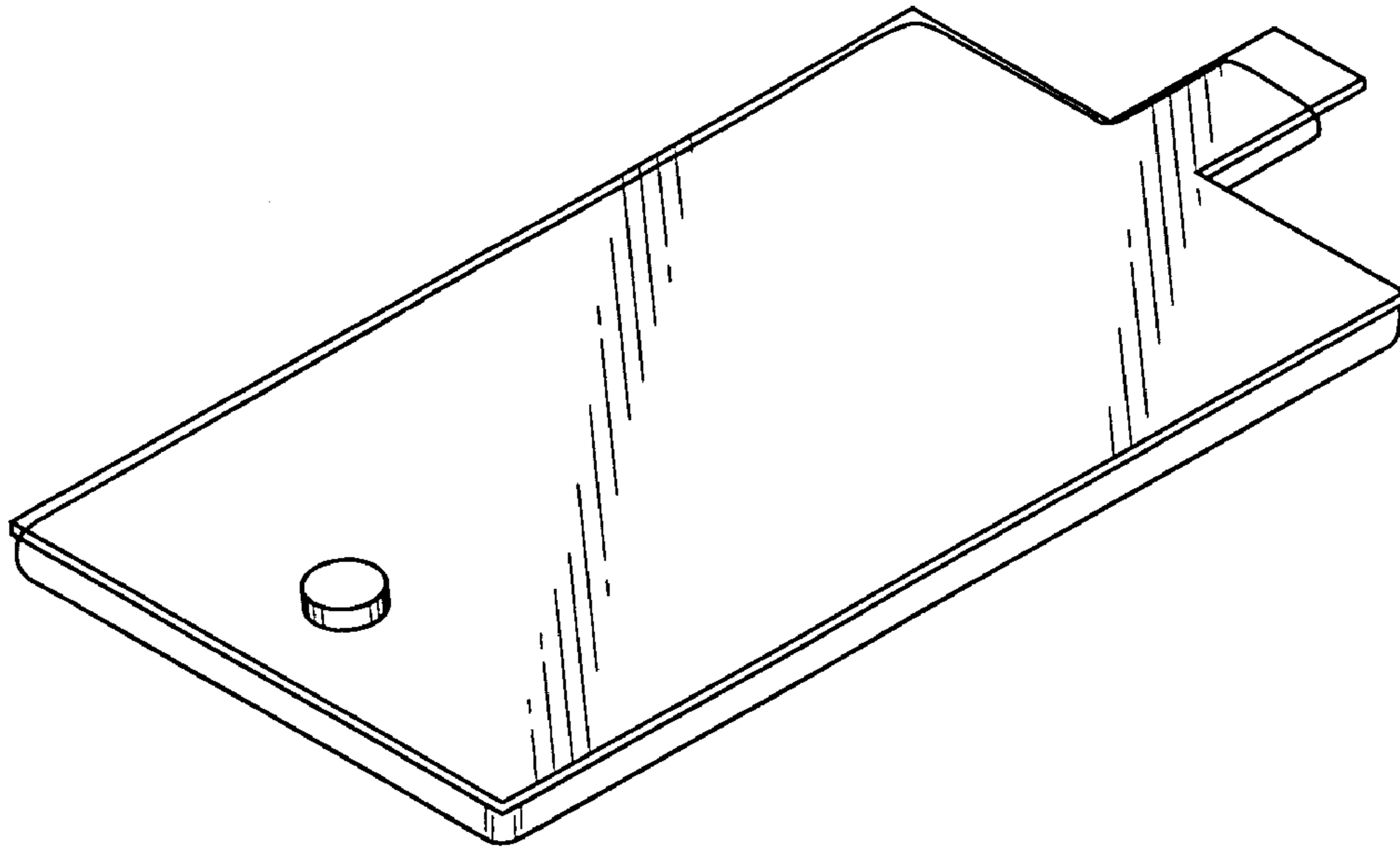




**Fig. 1**



**Fig. 2**



**Fig. 3**



**Fig. 4**