



US00D609344S

(12) **United States Design Patent**
Hara

(10) **Patent No.:** **US D609,344 S**
(45) **Date of Patent:** **** Feb. 2, 2010**

(54) **BLOOD PRESSURE MEASURING APPARATUS**

(75) Inventor: **Shigehito Hara**, Yokohama (JP)

(73) Assignee: **Panasonic Electric Works Co., Ltd.**, Osaka (JP)

(**) Term: **14 Years**

(21) Appl. No.: **29/313,463**

(22) Filed: **Jan. 8, 2009**

(30) **Foreign Application Priority Data**

Jul. 9, 2008 (JP) 2008-017626

(51) **LOC (9) Cl.** **24-02**

(52) **U.S. Cl.** **D24/165**

(58) **Field of Classification Search** D24/164-169, D24/186; D10/98; 600/301, 481, 483-485, 600/490, 493-495, 499, 500, 501; 128/900
See application file for complete search history.

(56) **References Cited**

U.S. PATENT DOCUMENTS

D262,318 S *	12/1981	Koshino	D24/165
D427,315 S *	6/2000	Saltzstein et al.	D24/186
D509,591 S *	9/2005	Tomioka et al.	D24/165
D520,638 S *	5/2006	Zeindler	D24/166
D537,944 S *	3/2007	Eda et al.	D24/165
D583,060 S *	12/2008	Kitamura et al.	D24/165
D583,474 S *	12/2008	Mitsunami et al.	D24/165
D583,950 S *	12/2008	Itonaga et al.	D24/165
D598,551 S *	8/2009	Miwa et al.	D24/186

FOREIGN PATENT DOCUMENTS

JP	759612	4/1989
JP	782370	2/1990

* cited by examiner

Primary Examiner—T. Chase Nelson
Assistant Examiner—Anhdao Doan
(74) *Attorney, Agent, or Firm*—Greenblum & Bernstein P.L.C.

(57) **CLAIM**

The ornamental design for a blood pressure measuring apparatus, as shown and described.

DESCRIPTION

FIG. 1 is a front perspective view of a design for use as a blood pressure measuring apparatus.

FIG. 2 is a rear perspective view of the design according to the invention.

FIG. 3 is a front view of the design according to the invention.

FIG. 4 is a right side view of the design according to the invention.

FIG. 5 is a left side view of the design according to the invention.

FIG. 6 is a top view of the design according to the invention.

FIG. 7 is a rear view of the design according to the invention.

FIG. 8 is a bottom view of the design according to the invention.

FIG. 9 is a sectional view of the design along the line 9—9 in FIG. 6 according to the invention where the internal components are omitted.

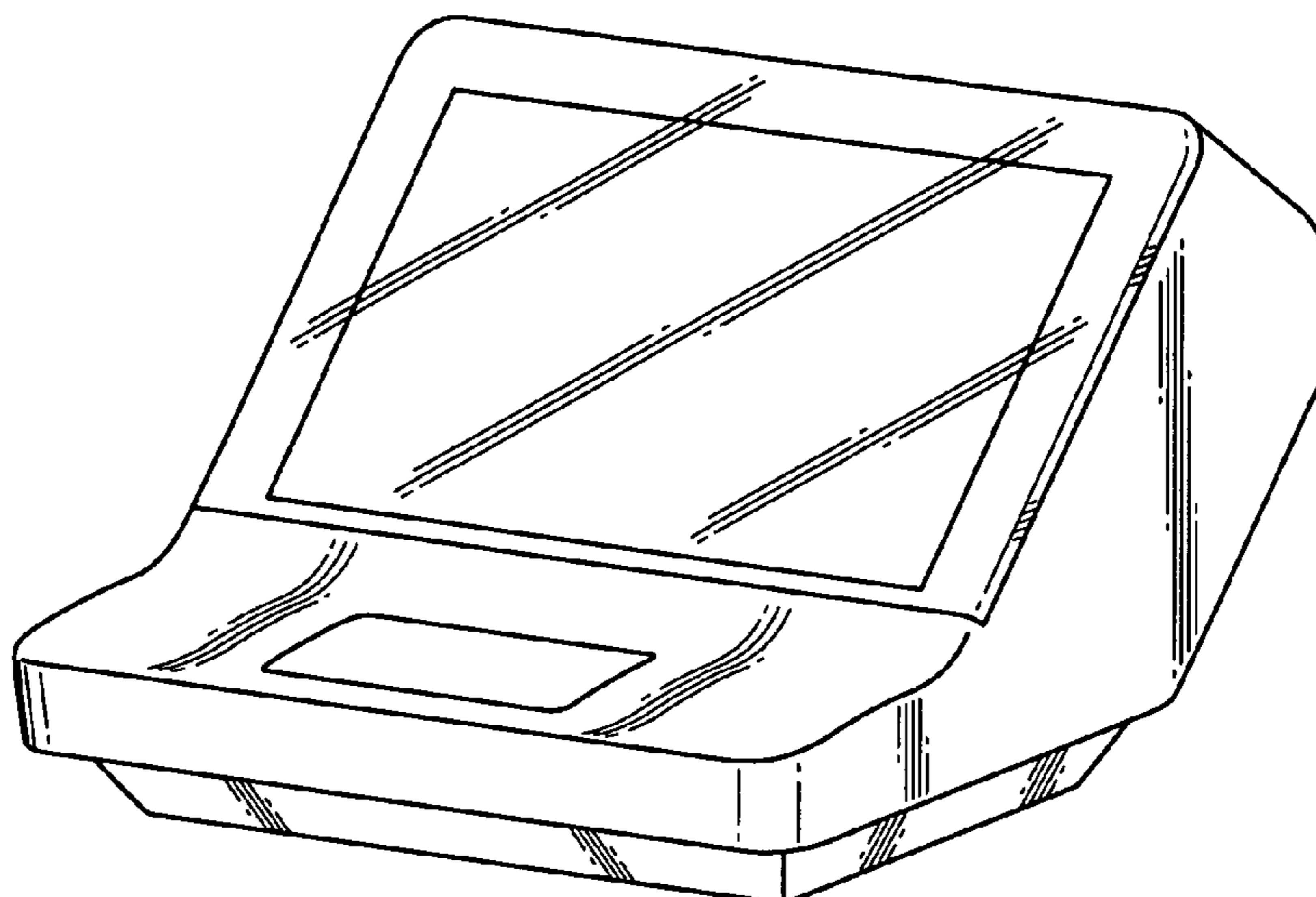
FIG. 10 is a reference view of the design according to the invention in which a blood pressure is displayed; and,

FIG. 11 is another reference view of the design according to the invention in which a band is attached to the blood pressure measuring apparatus.

The elements shown in broken lines are for illustrative purposes only and form no part of the claimed invention.

The portions shown in diagonal lines are transparent or translucent.

1 Claim, 6 Drawing Sheets



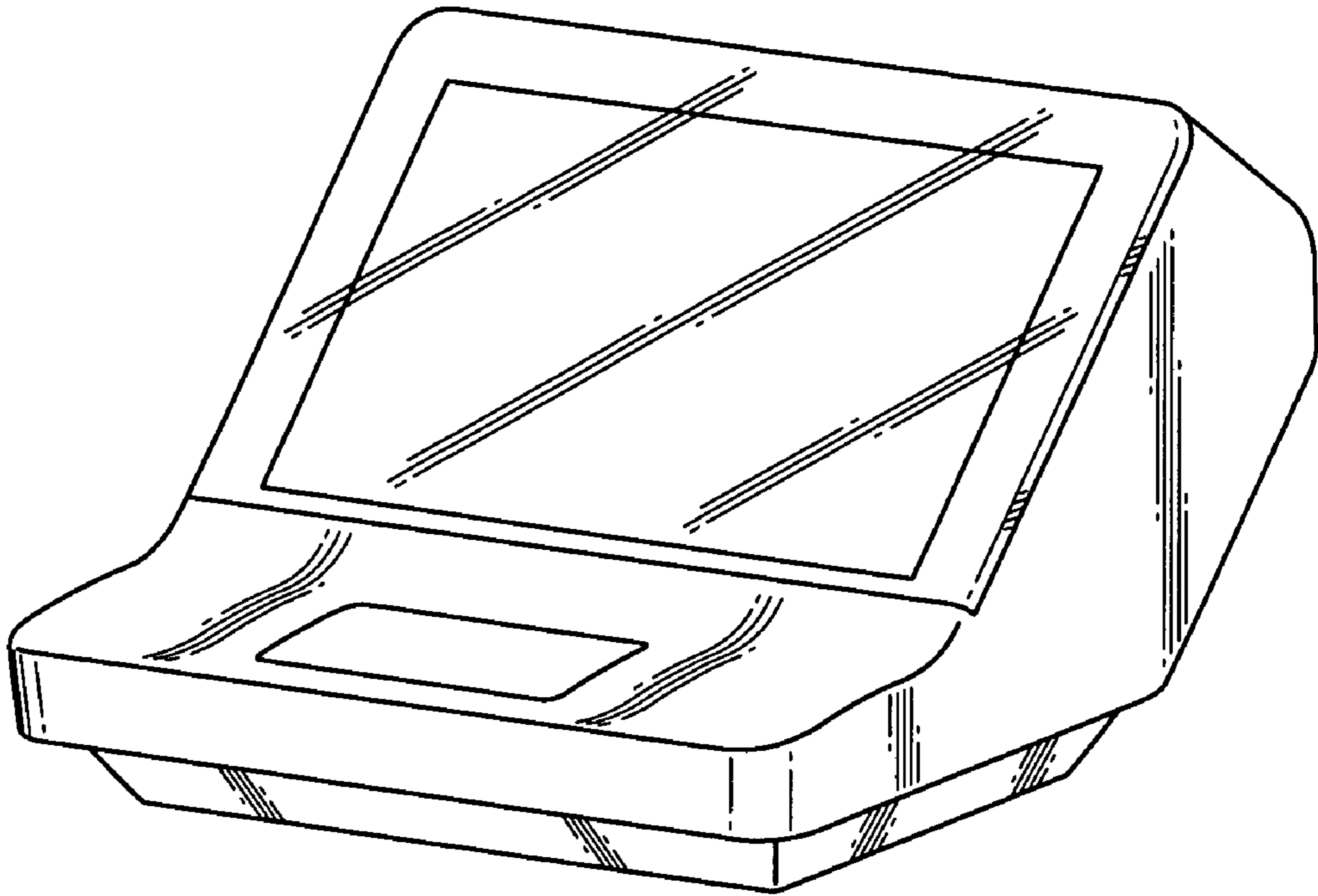


FIG. 1

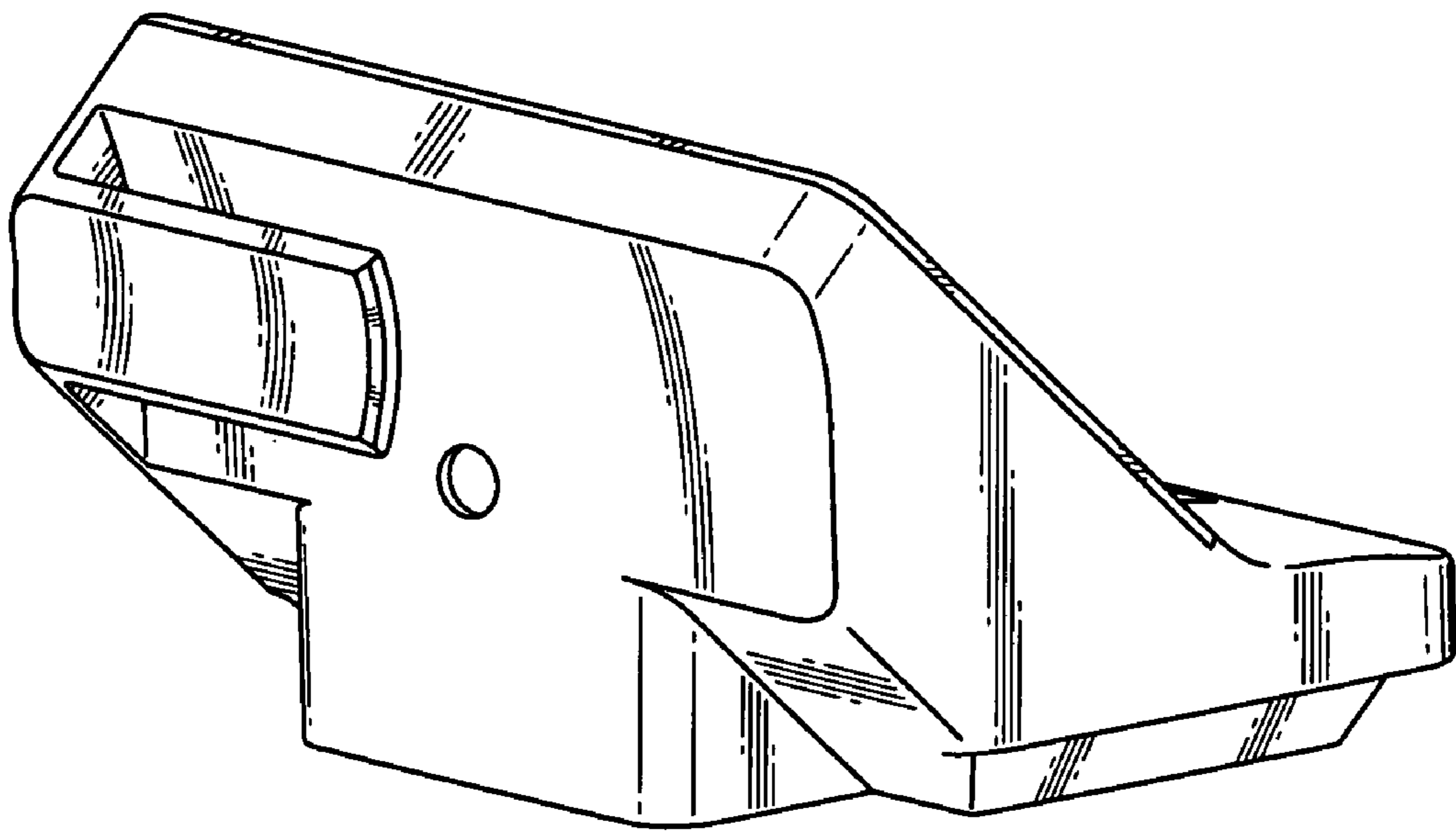


FIG. 2

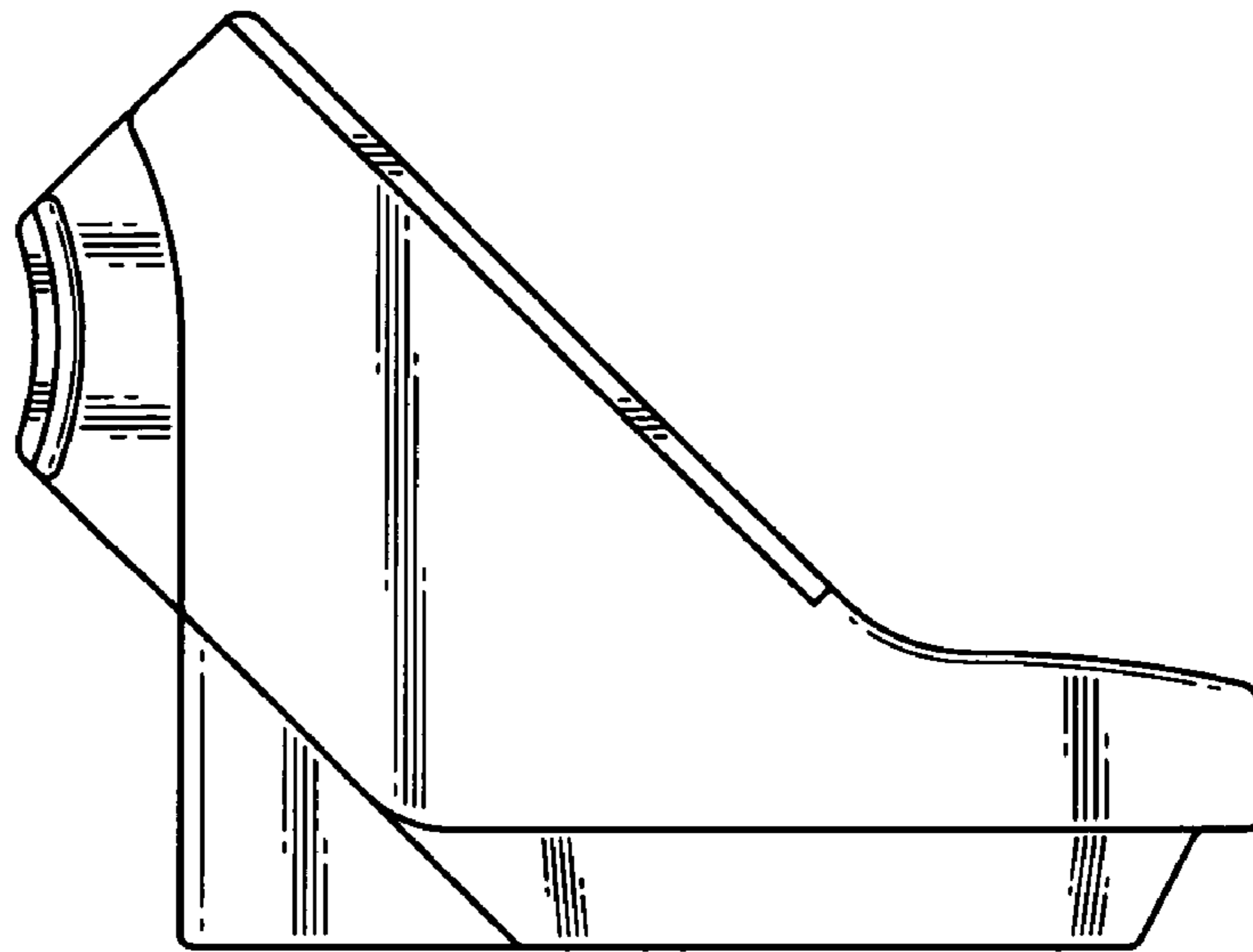
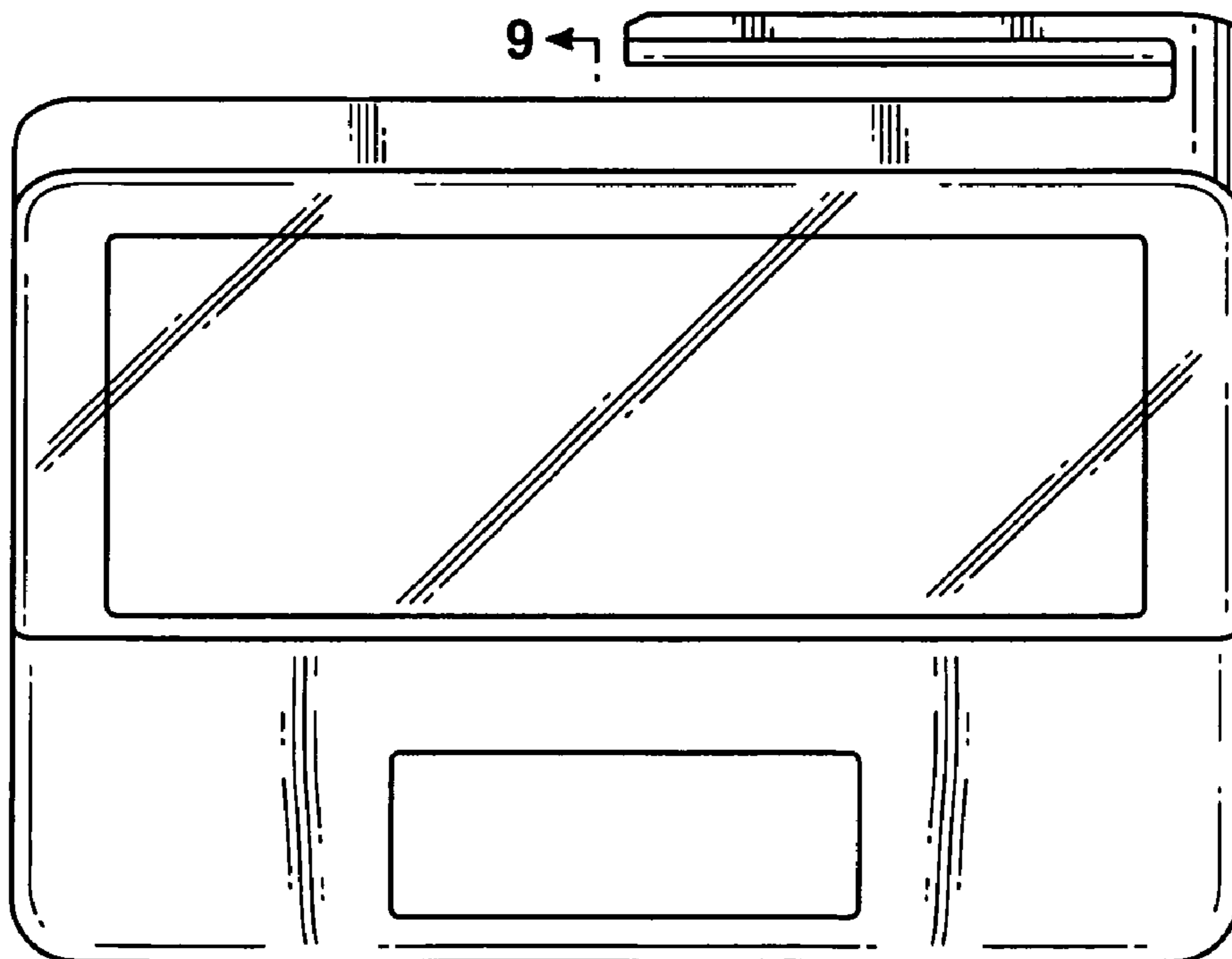


FIG. 5



9 ←

FIG. 6

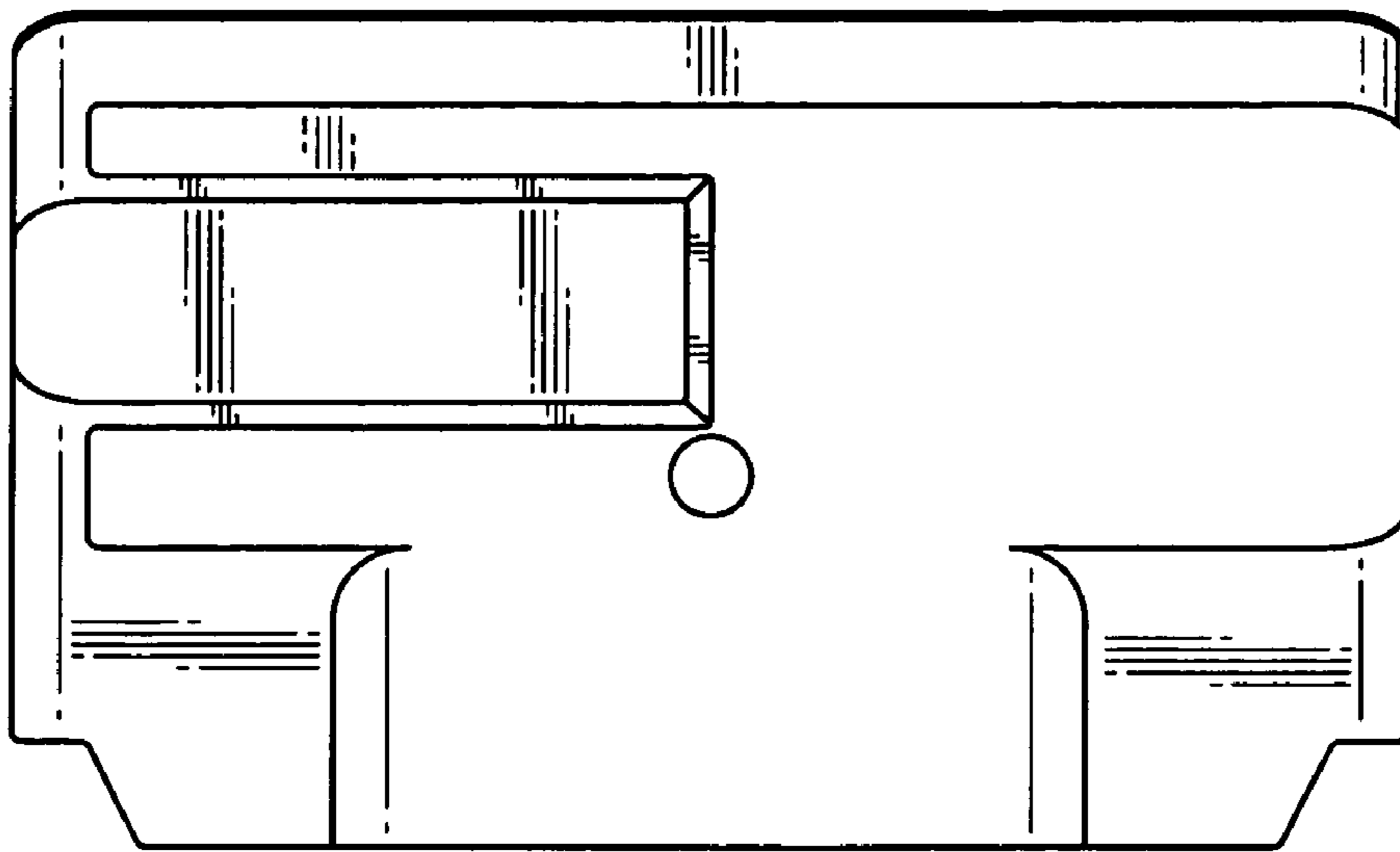


FIG. 7

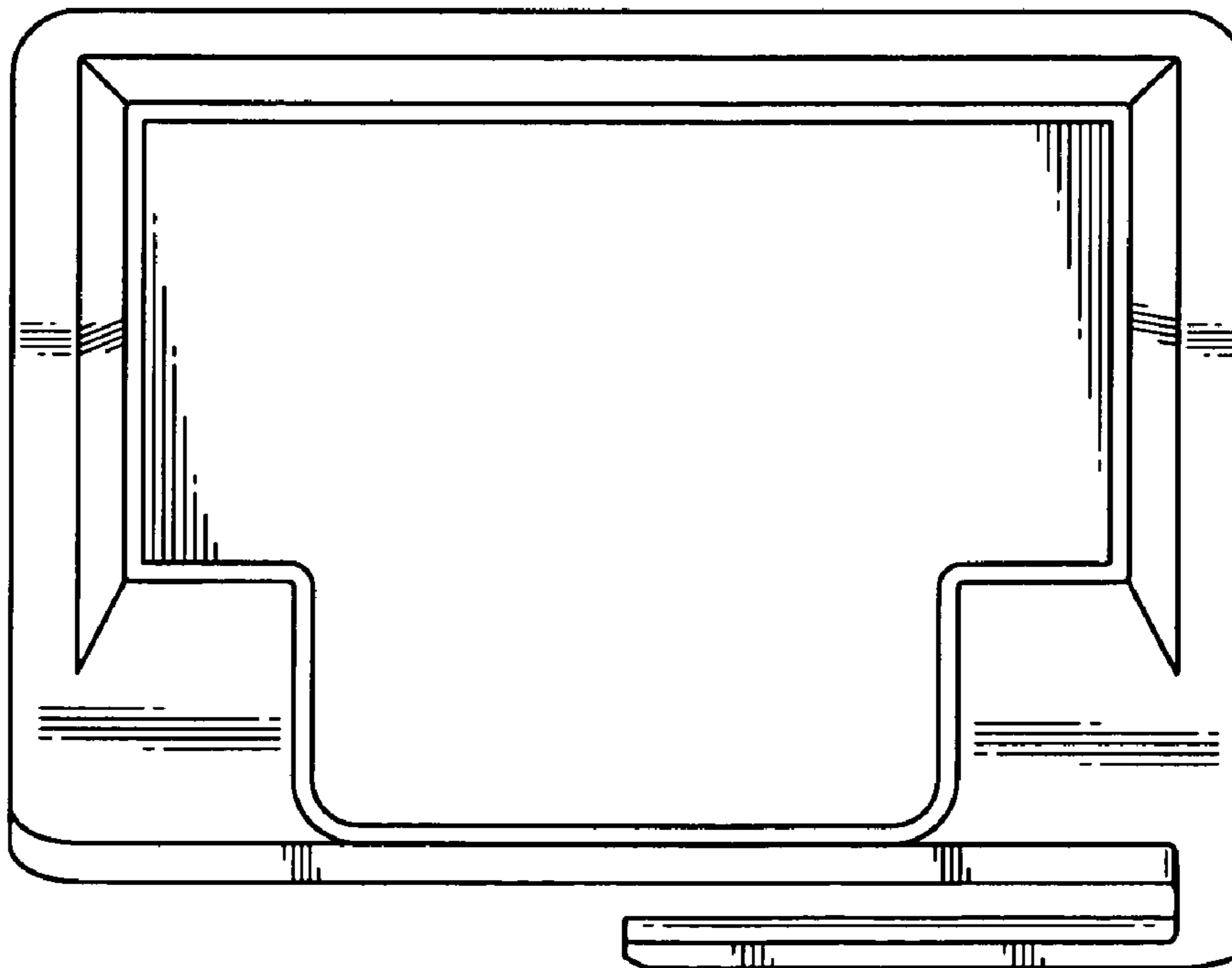


FIG. 8

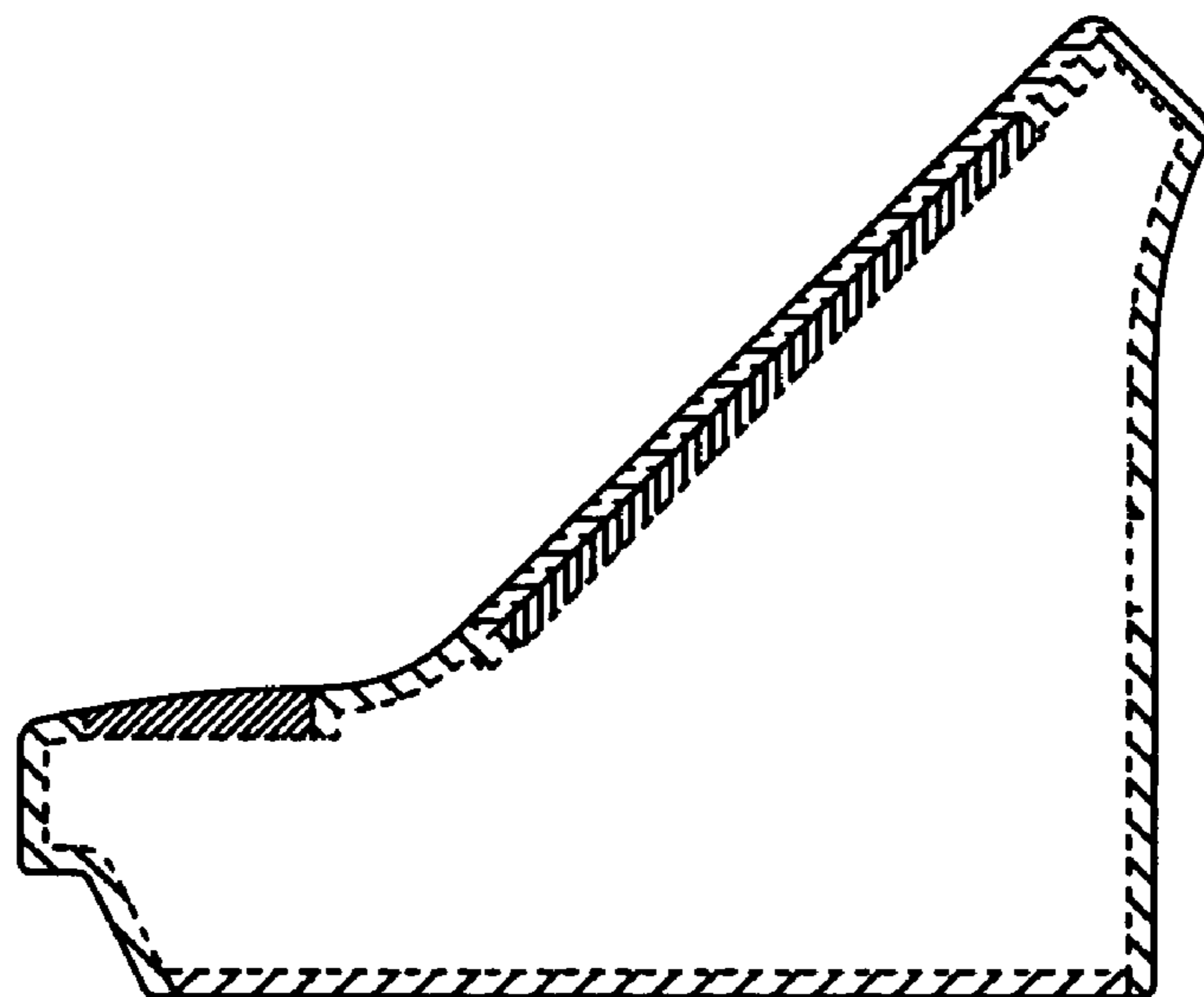


FIG. 9

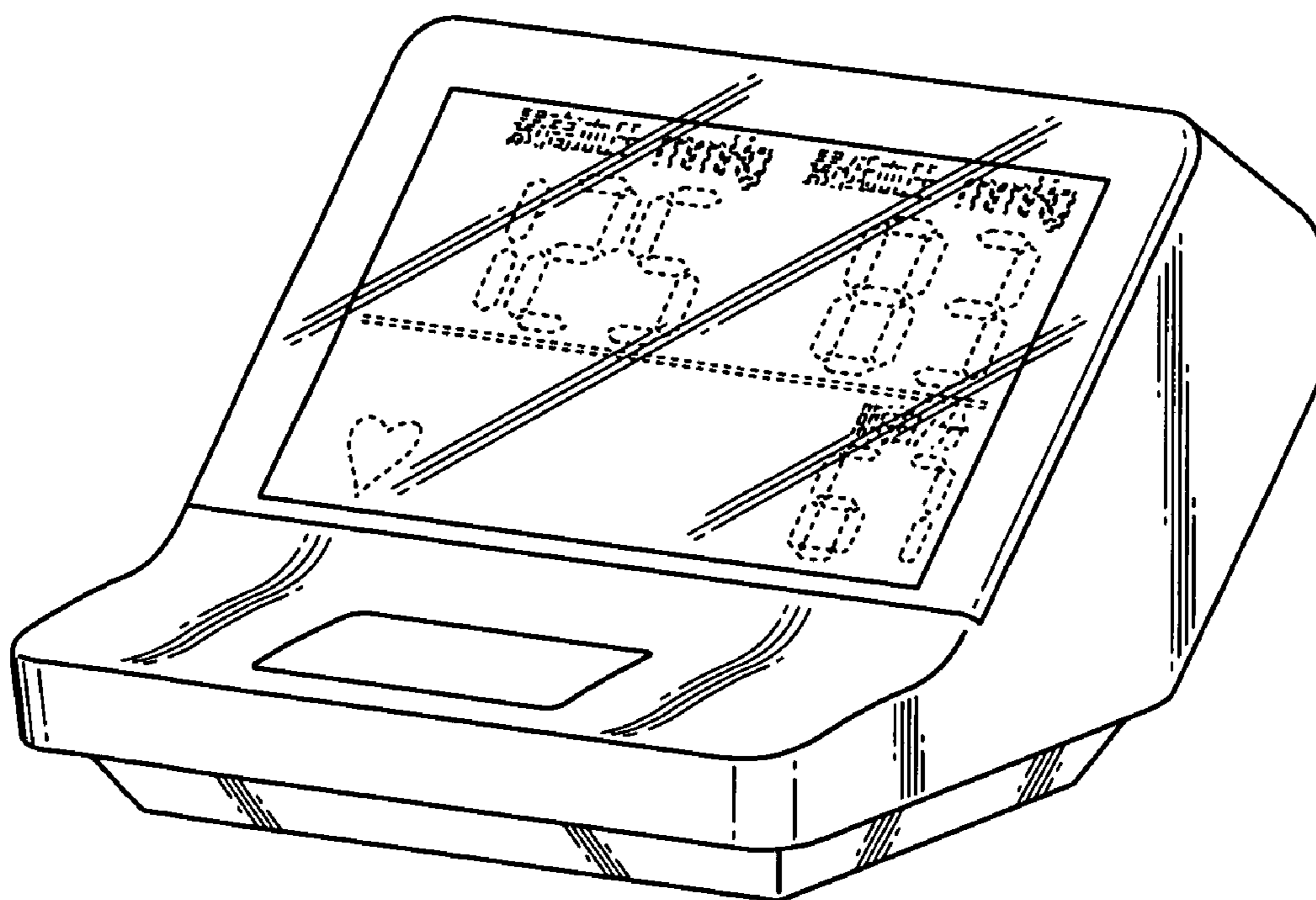


FIG. 10

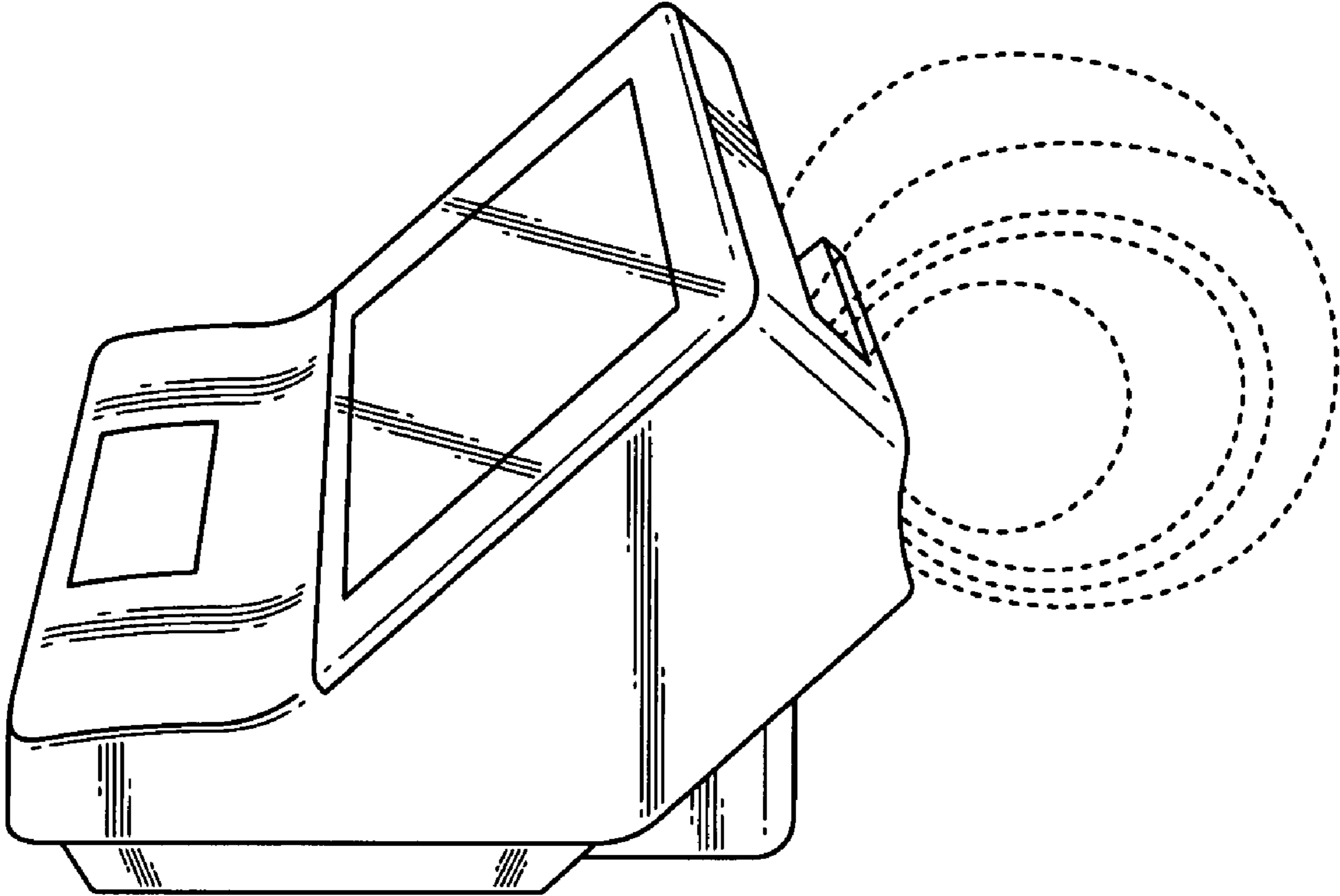


FIG. 11