



US00D609343S

(12) **United States Design Patent**  
**Omaki**

(10) **Patent No.:** **US D609,343 S**

(45) **Date of Patent:** **\*\* Feb. 2, 2010**

(54) **OPERATION MONITOR FOR BLOOD PRESSURE MEASURING APPARATUS**

(75) Inventor: **Koji Omaki**, Tokyo (JP)

(73) Assignee: **Panasonic Electric Works, Co. Ltd.**, Osaka (JP)

(\*\*) Term: **14 Years**

(21) Appl. No.: **29/307,383**

(22) Filed: **Apr. 16, 2008**

(30) **Foreign Application Priority Data**

Oct. 16, 2007 (JP) ..... 2007-028373

(51) **LOC (9) Cl.** ..... **24-02**

(52) **U.S. Cl.** ..... **D24/165**

(58) **Field of Classification Search** ..... D24/164-169, D24/186; D10/98; 600/301, 481, 483-485, 600/490, 493-495, 499, 500, 501; 128/900  
See application file for complete search history.

(56) **References Cited**

**U.S. PATENT DOCUMENTS**

D262,318 S *	12/1981	Koshino	.....	D24/165
D427,315 S *	6/2000	Saltzstein et al.	.....	D24/186
D509,591 S *	9/2005	Tomioka et al.	.....	D24/165
D520,638 S *	5/2006	Zeindler	.....	D24/166
D537,944 S *	3/2007	Eda et al.	.....	D24/165
D583,060 S *	12/2008	Kitamura et al.	.....	D24/165
D583,474 S *	12/2008	Mitsunami et al.	.....	D24/165
D583,950 S *	12/2008	Itonaga et al.	.....	D24/165
D598,551 S *	8/2009	Miwa et al.	.....	D24/186

\* cited by examiner

*Primary Examiner*—T. Chase Nelson  
*Assistant Examiner*—Anhdao Doan  
(74) *Attorney, Agent, or Firm*—Greenblum & Bernstein, P.L.C.

(57) **CLAIM**

The ornamental design for an operation monitor for blood pressure measuring apparatus, as shown and described.

**DESCRIPTION**

FIG. 1 is a perspective view of the design for an operation monitor for blood pressure measuring apparatus according to the invention.

FIG. 2 is a top view of the design according to the invention. FIG. 3 is a bottom view of the design according to the invention.

FIG. 4 is a front view of the design according to the invention.

FIG. 5 is a rear view of the design according to the invention.

FIG. 6 is a right side view of the design according to the invention; and,

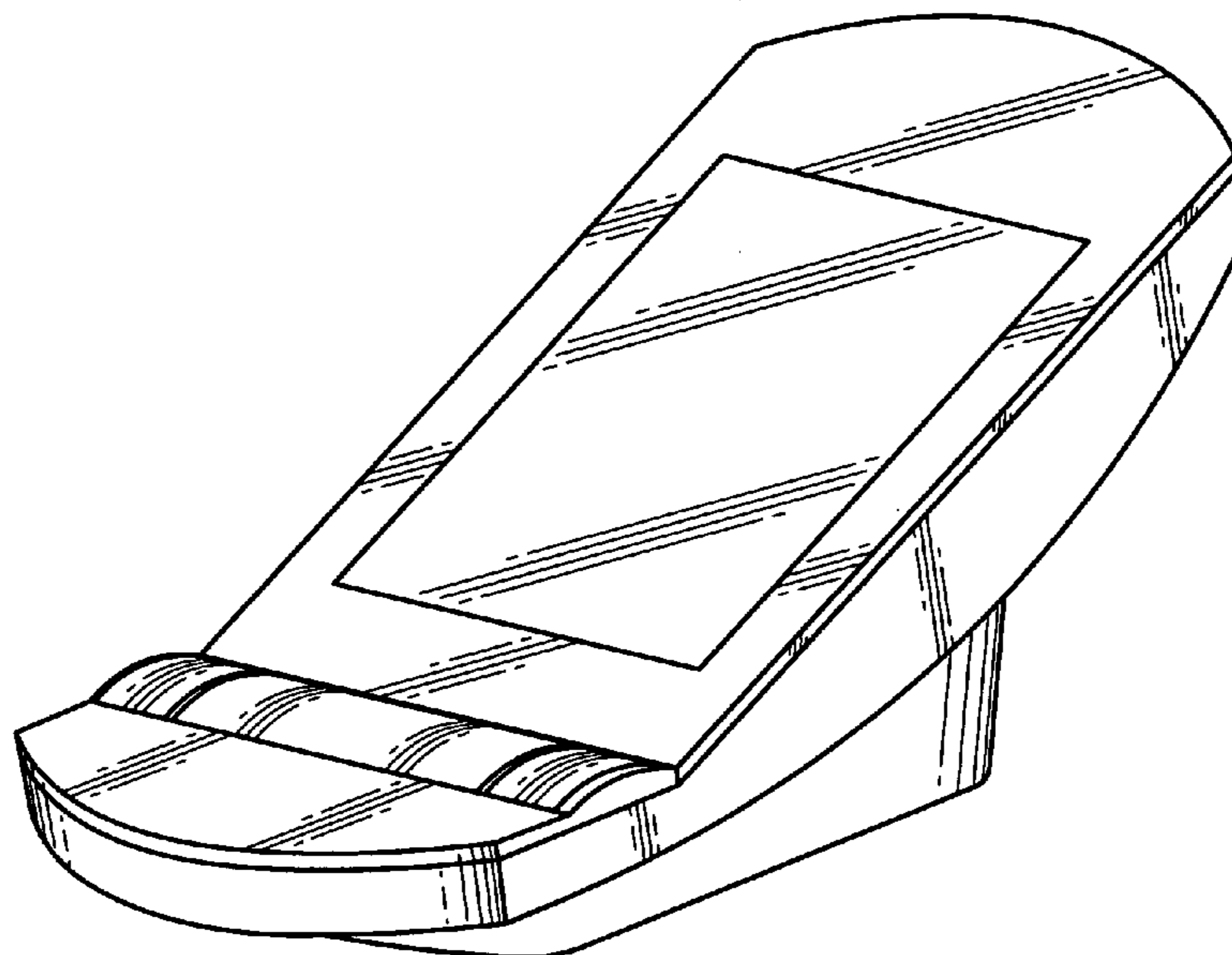
FIG. 7 is a reference view of the design according to the invention showing that the operation monitor for blood pressure measuring apparatus displays a blood pressure.

A left side view of the design according to the invention is a mirror image of the right side view as shown in FIG. 6.

The broken lines in the FIG. 3 view are included for the purpose of illustrating a portion of the operation monitor for blood pressure measuring apparatus that form no part of the claimed design. The broken lines in the FIG. 7 view represent the environmental subject matter. None of the broken lines form a part of the claimed design.

The portions shown in diagonal lines show transparent and/or reflective surfaces.

**1 Claim, 4 Drawing Sheets**



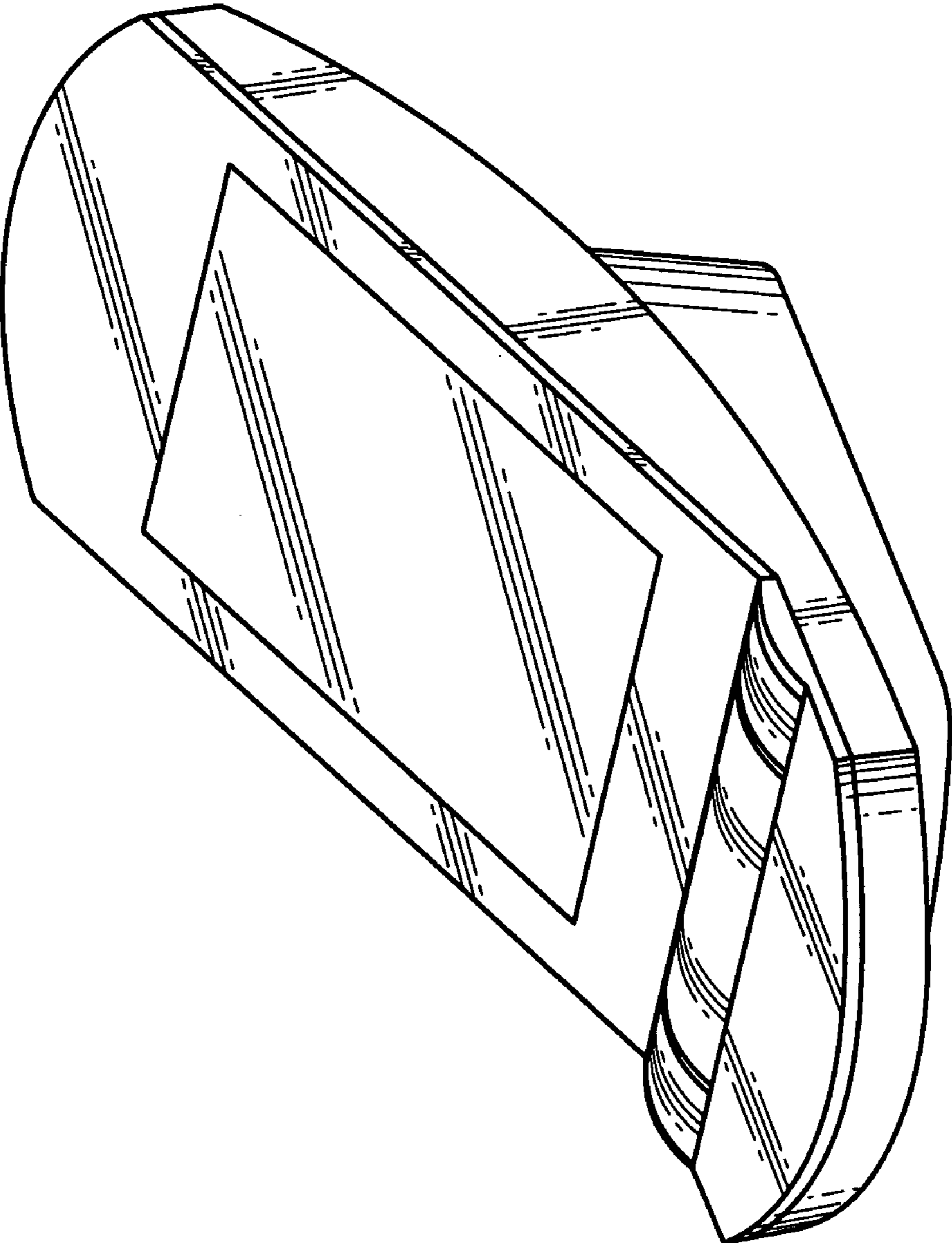


FIG. 1

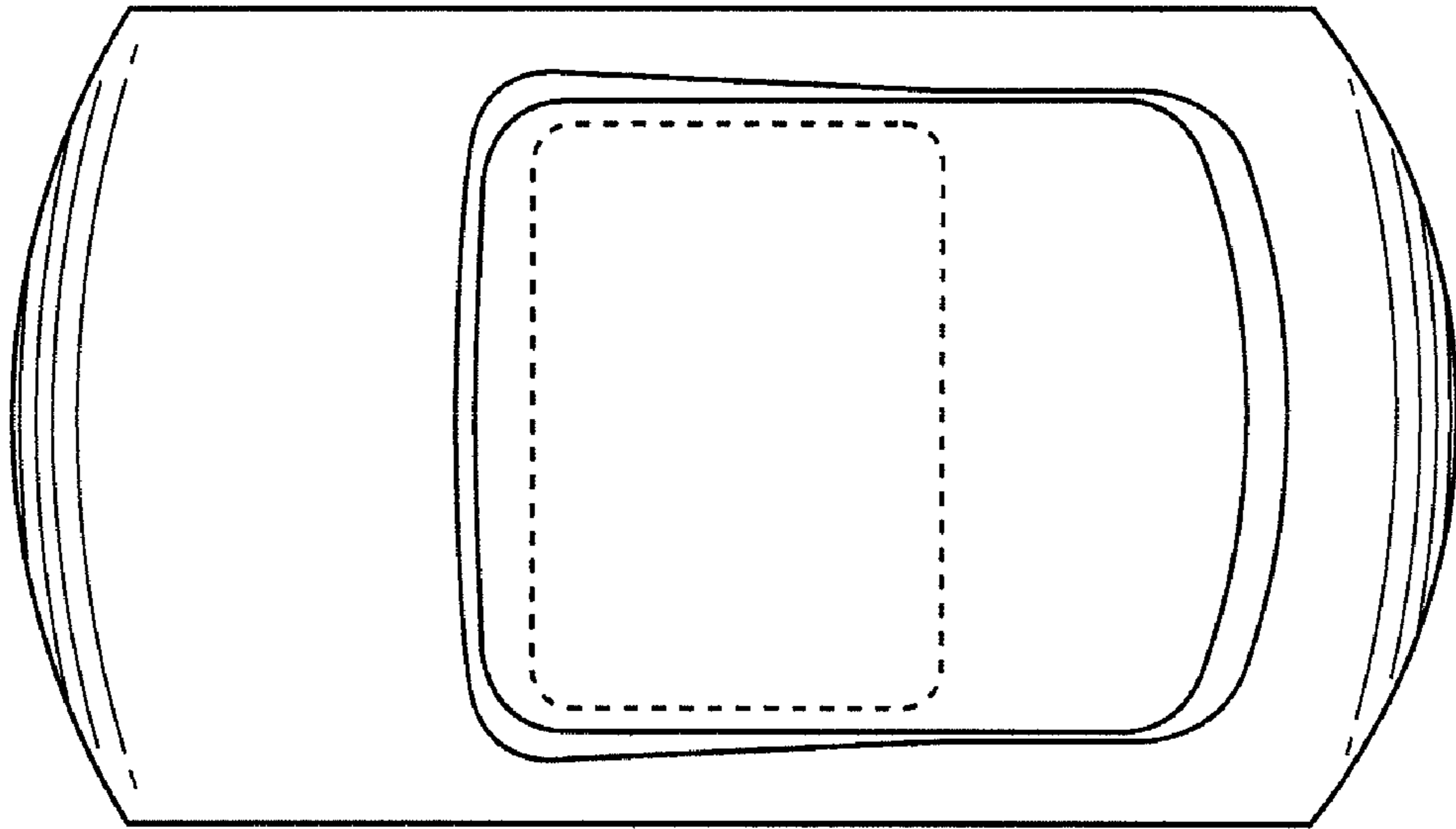


FIG. 3

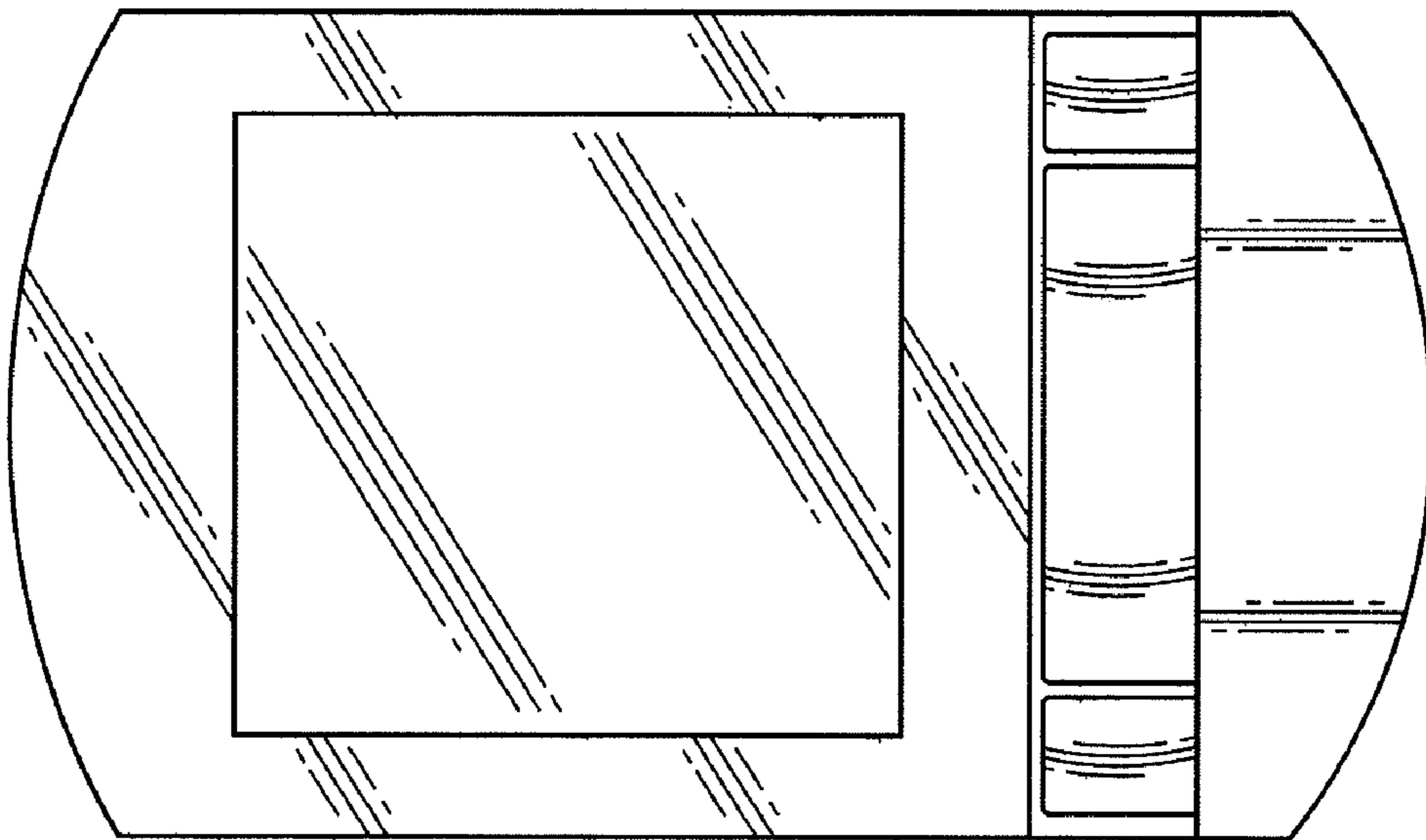


FIG. 2

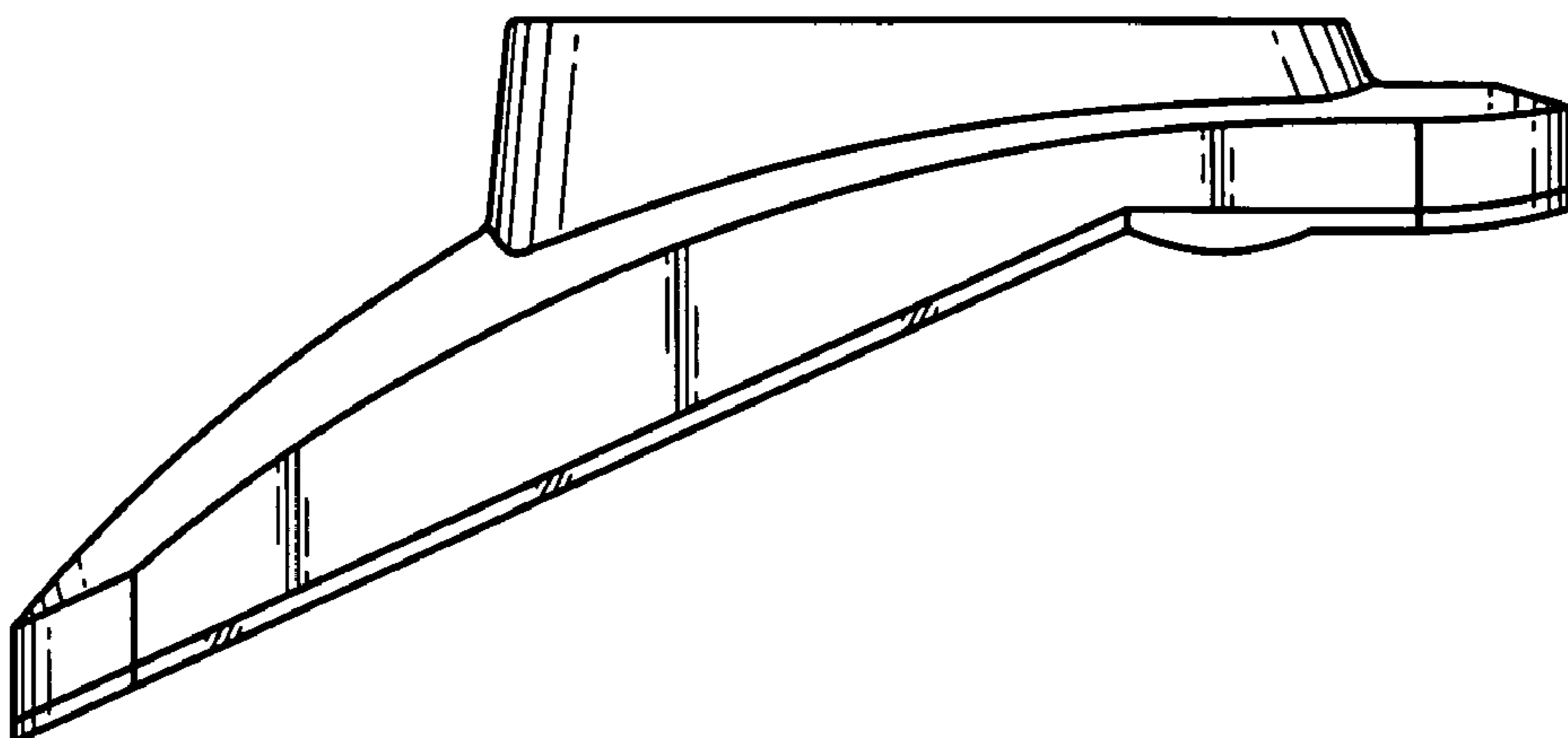


FIG. 6

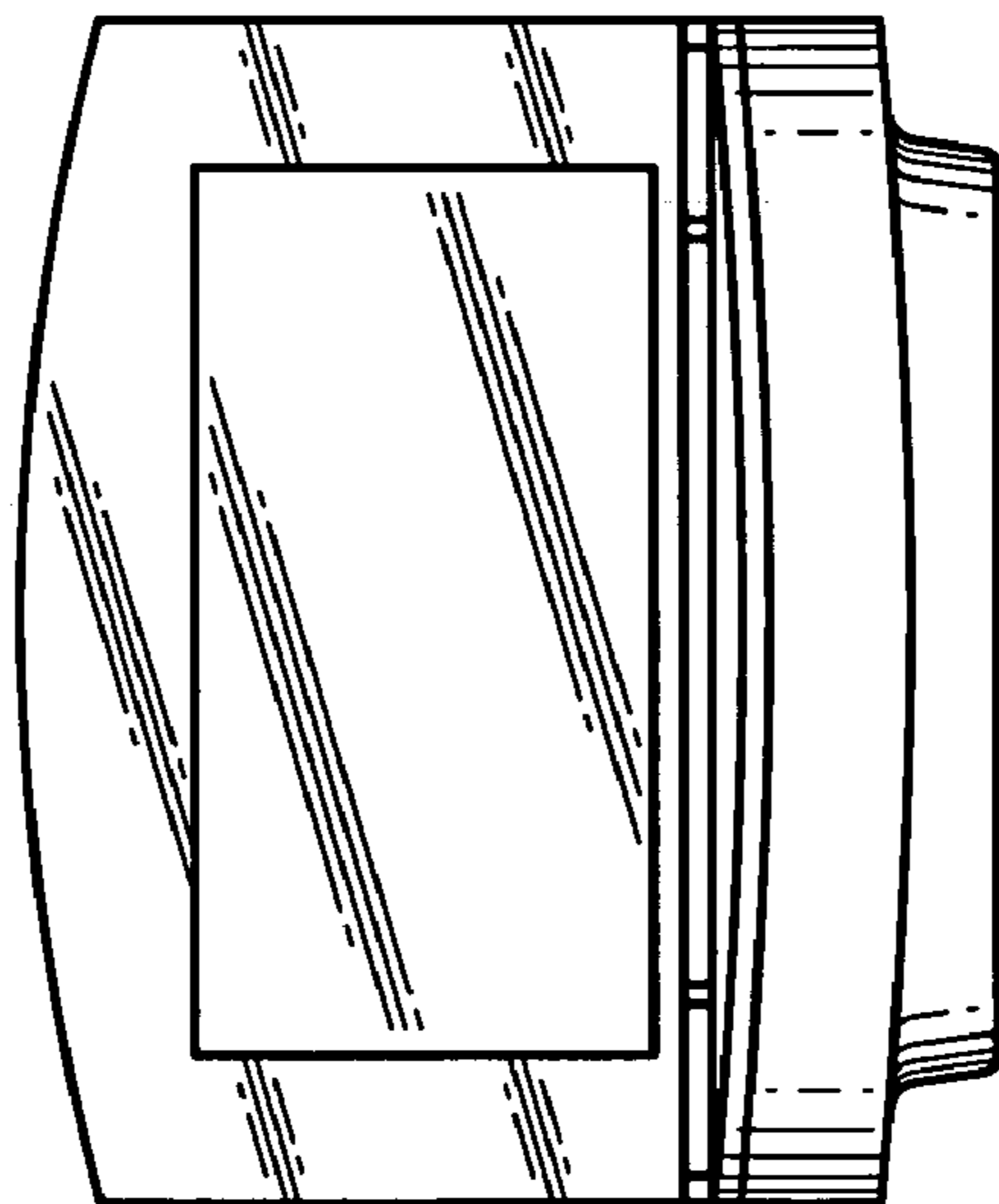


FIG. 5

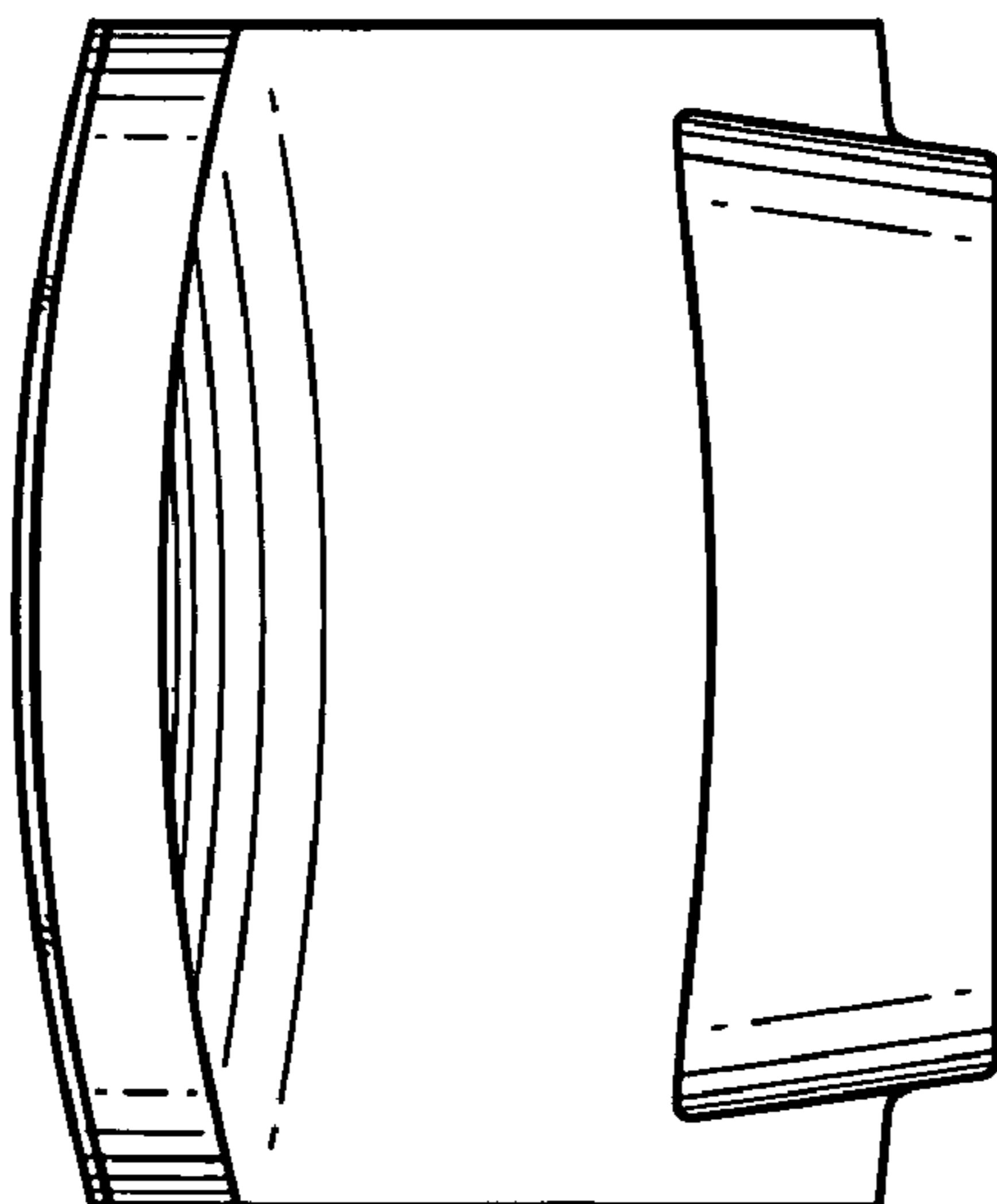


FIG. 4

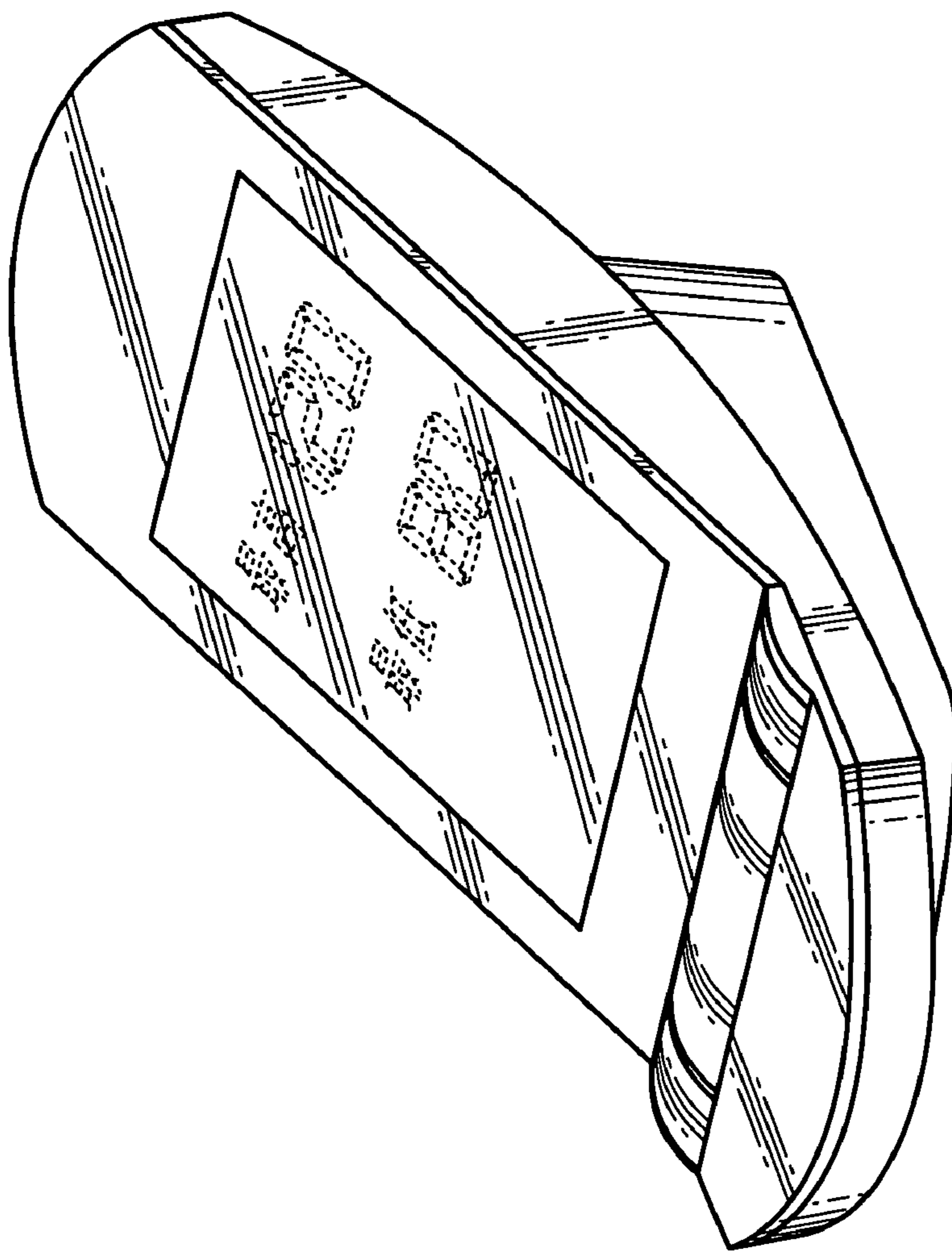


FIG. 7

UNITED STATES PATENT AND TRADEMARK OFFICE  
**CERTIFICATE OF CORRECTION**

PATENT NO. : Des. 609,343 S  
APPLICATION NO. : 29/307383  
DATED : February 2, 2010  
INVENTOR(S) : Koiji Omaki

Page 1 of 1

It is certified that error appears in the above-identified patent and that said Letters Patent is hereby corrected as shown below:

On the cover page of the printed patent, at Item (57), DESCRIPTION,  
line 7, "front" should be --rear--; and in line 8, "rear" should be --front--

Signed and Sealed this

Third Day of August, 2010

A handwritten signature in black ink that reads "David J. Kappos". The signature is written in a cursive, flowing style.

David J. Kappos  
*Director of the United States Patent and Trademark Office*