



US00D609342S

(12) **United States Design Patent**  
**Chen**

(10) **Patent No.:** **US D609,342 S**

(45) **Date of Patent:** **\*\* Feb. 2, 2010**

(54) **INFANT INCUBATOR**

(76) **Inventor:** **Zaihong Chen**, 158 Daqing Road, Shipu Town, Xiangshan County, Zhejiang (CN)

(\*\*) **Term:** **14 Years**

(21) **Appl. No.:** **29/281,063**

(22) **Filed:** **Jun. 14, 2007**

(51) **LOC (9) Cl.** ..... **24-01**

(52) **U.S. Cl.** ..... **D24/158**

(58) **Field of Classification Search** ..... D24/163,  
D24/164, 201-207; D19/60; 600/21, 22;  
128/205.26, 205.29

See application file for complete search history.

(56) **References Cited**

**U.S. PATENT DOCUMENTS**

- D182,394 S \* 4/1958 Adolphson ..... D24/163
- 3,158,150 A \* 11/1964 Croasdaile ..... 600/22
- D236,165 S \* 7/1975 Beld et al. .... D24/163
- D240,768 S \* 7/1976 Beld et al. .... D24/163
- 4,321,913 A \* 3/1982 Maluta et al. .... D24/163

D567,948 S \* 4/2008 Tierney et al. .... D24/163

\* cited by examiner

*Primary Examiner*—T. Chase Nelson

*Assistant Examiner*—Anhdao Doan

(74) *Attorney, Agent, or Firm*—Global IP Services; Tianhua Gu

(57) **CLAIM**

The ornamental design for an infant incubator, as shown and described.

**DESCRIPTION**

FIG. 1 is a perspective view of an infant incubator showing my new design;

FIG. 2 is a front view thereof;

FIG. 3 is a back view thereof;

FIG. 4 is a top view thereof;

FIG. 5 is a bottom view thereof;

FIG. 6 is a left side view thereof; and,

FIG. 7 is a right side view thereof.

**1 Claim, 7 Drawing Sheets**



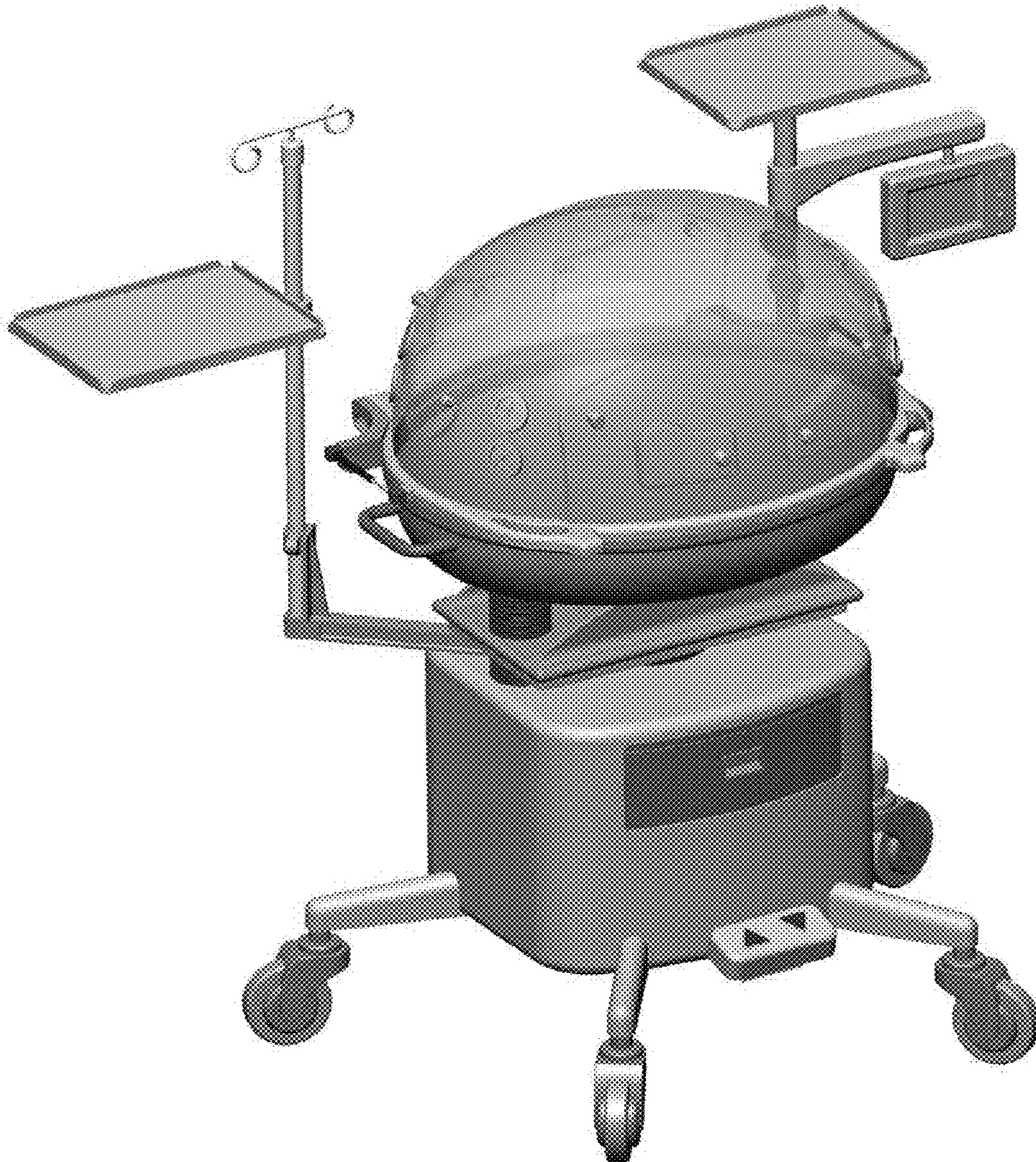


Fig. 1



Fig. 2



Fig. 3

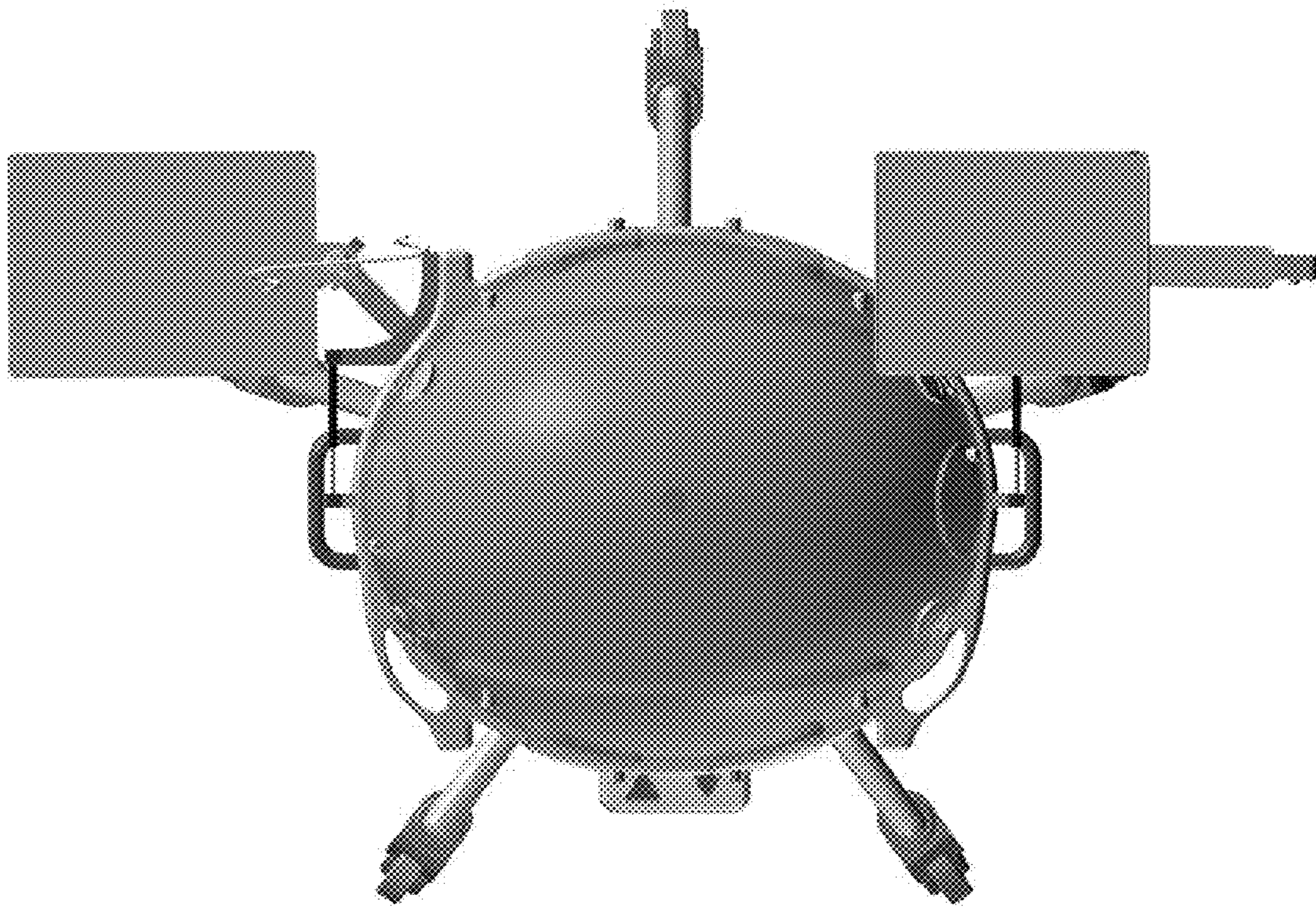


Fig. 4

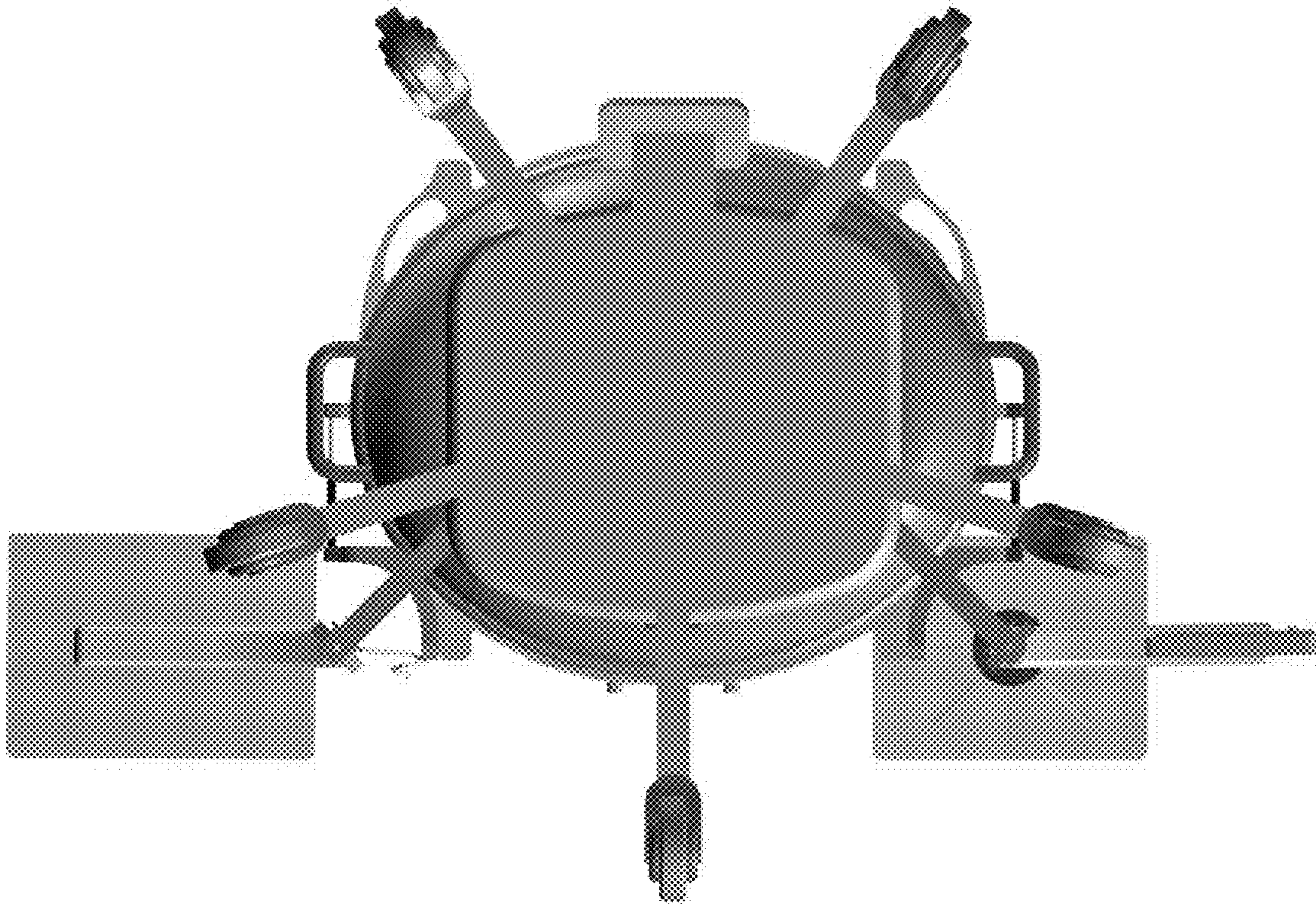


Fig. 5

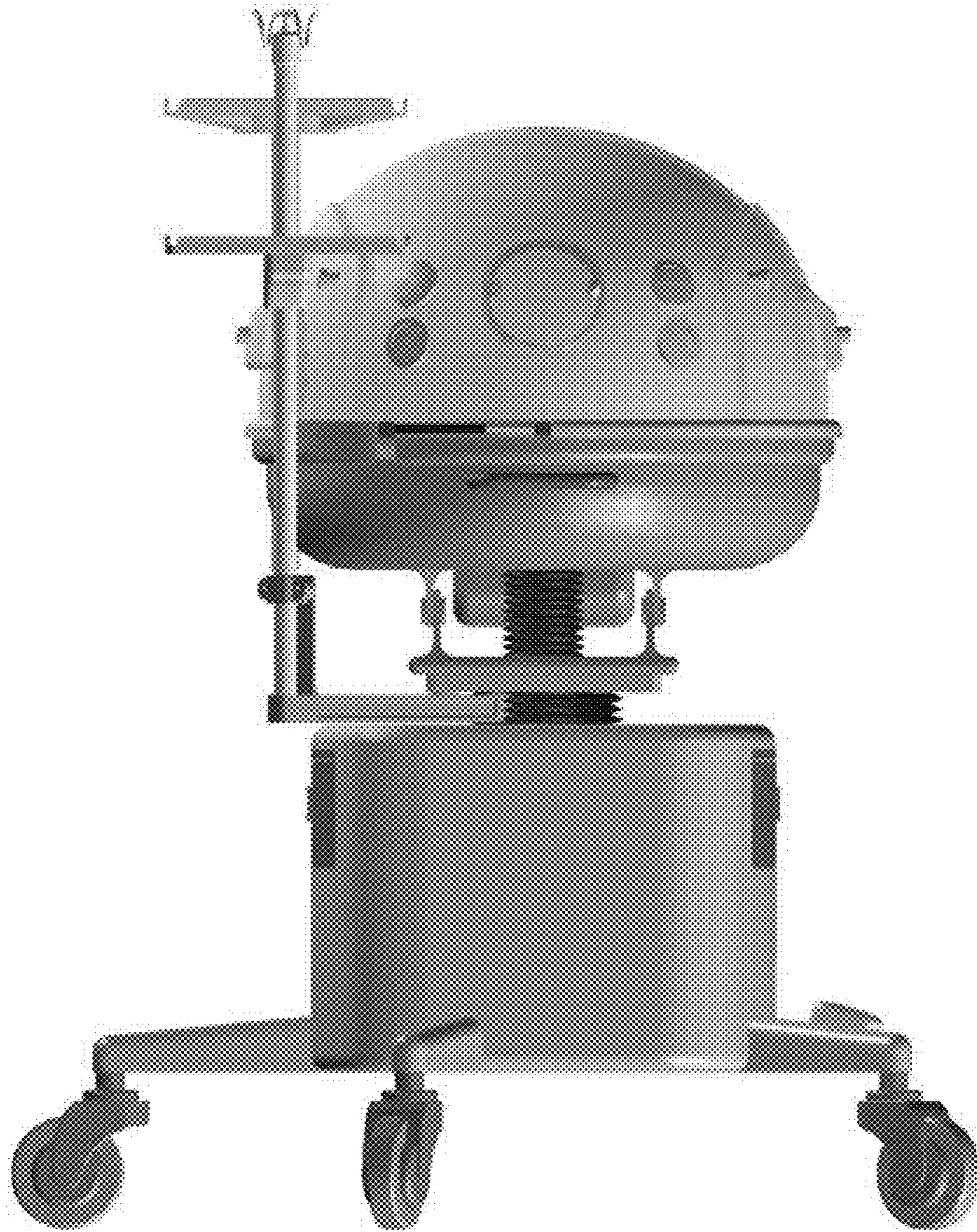


Fig. 6

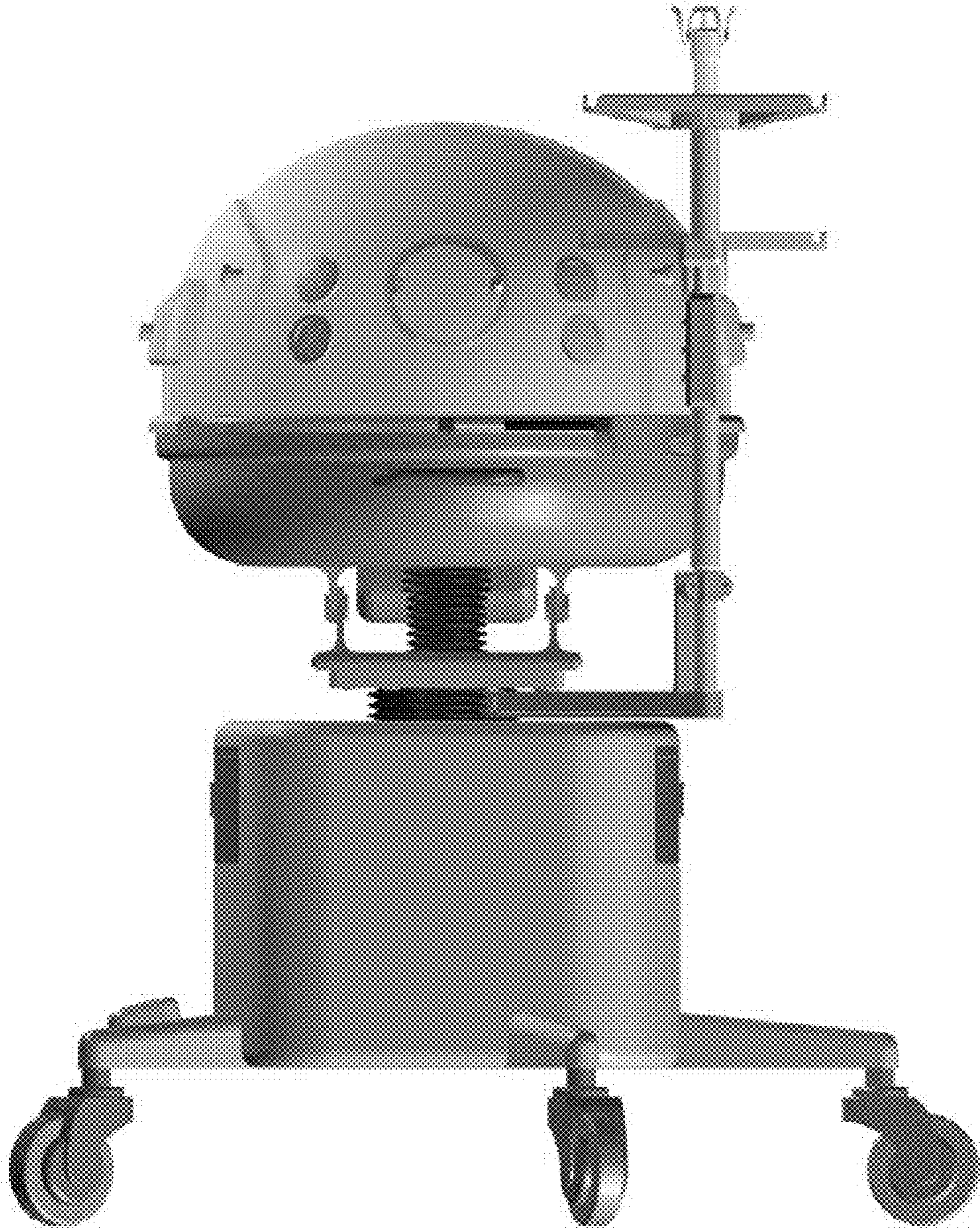


Fig. 7