



US00D609341S

(12) **United States Design Patent**
Khouri

(10) **Patent No.:** **US D609,341 S**

(45) **Date of Patent:** **** Feb. 2, 2010**

(54) **INTERPROXIMAL DENTAL TOOL**

D576,730 S * 9/2008 Kim D24/152

(76) Inventor: **Louie Khouri**, 964 Third Ave., 8th Floor, New York, NY (US) 10022

* cited by examiner

Primary Examiner—Charles A Rademaker
(74) *Attorney, Agent, or Firm*—Harness, Dickey & Pierce, PLC

(**) Term: **14 Years**

(21) Appl. No.: **29/342,047**

(57) **CLAIM**

(22) Filed: **Aug. 18, 2009**

The ornamental design for an interproximal dental tool, as shown and described.

Related U.S. Application Data

DESCRIPTION

(60) Division of application No. 29/330,685, filed on Jan. 13, 2009, now Pat. No. Des. 600,810, which is a continuation of application No. 11/008,805, filed on Dec. 9, 2004.

FIG. 1 is a perspective view of the interproximal dental tool showing my new design;

FIG. 2 is a front elevational view of the interproximal dental tool shown in FIG. 1;

(51) **LOC (9) Cl.** **24-02**

(52) **U.S. Cl.** **D24/152; D32/41; D8/107; D8/90**

FIG. 3 is a top view of the interproximal dental tool shown in FIG. 1;

(58) **Field of Classification Search** D24/147, D24/152, 154; 433/142; D8/107, 90; D32/40, D32/41; D7/696; D9/520; 132/323
See application file for complete search history.

FIG. 4 is a left side view of the interproximal dental tool shown in FIG. 1;

FIG. 5 is a bottom view of the interproximal dental tool shown in FIG. 1;

(56) **References Cited**

U.S. PATENT DOCUMENTS

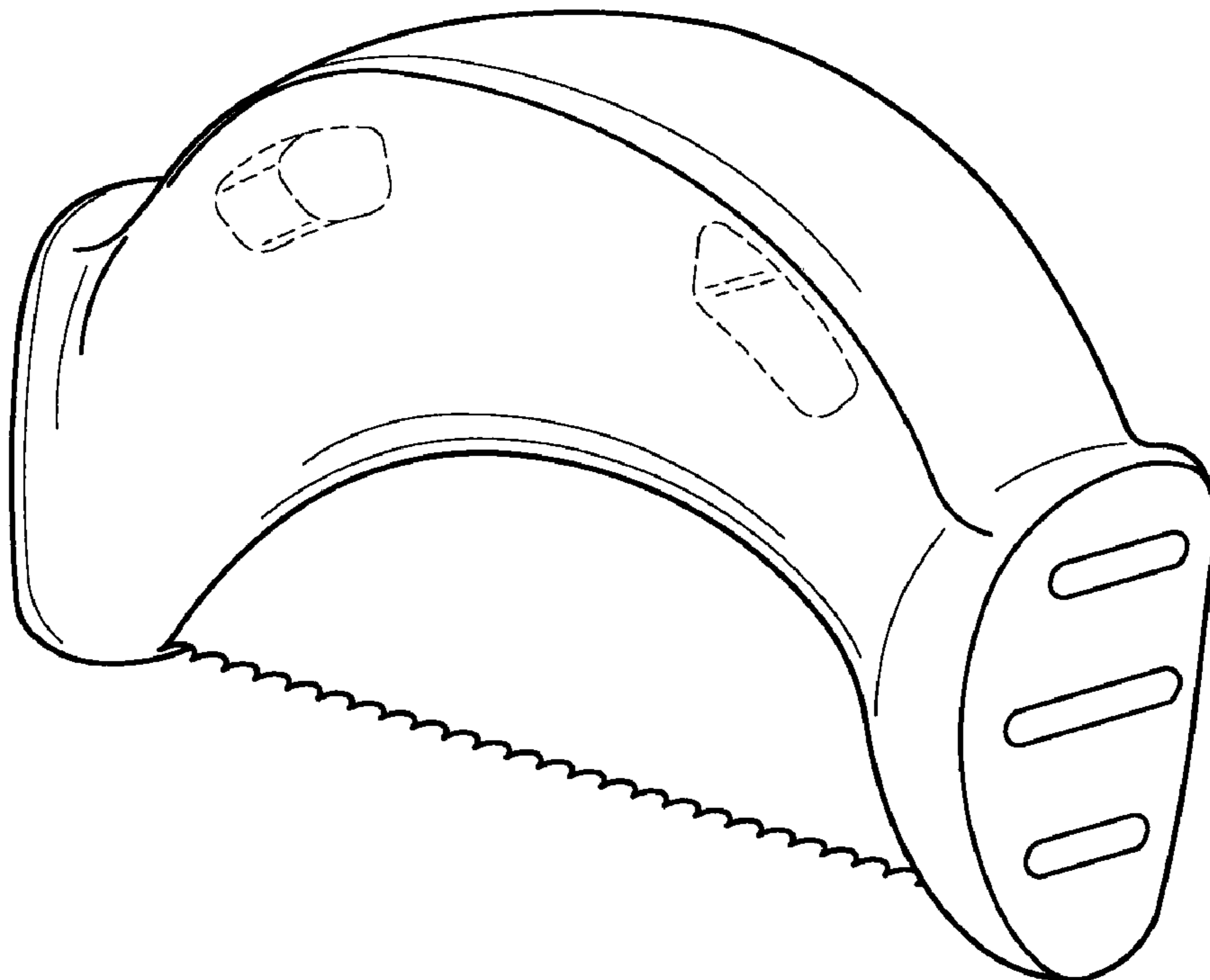
- 2,736,327 A * 2/1956 Schlicksupp 132/323
- D303,497 S * 9/1989 Larson D9/520
- D457,790 S * 5/2002 Wang et al. D7/696
- 6,766,808 B2 * 7/2004 Gwen 132/323
- D500,644 S * 1/2005 Cavanaugh D7/696
- D528,398 S * 9/2006 Meyer et al. D8/107

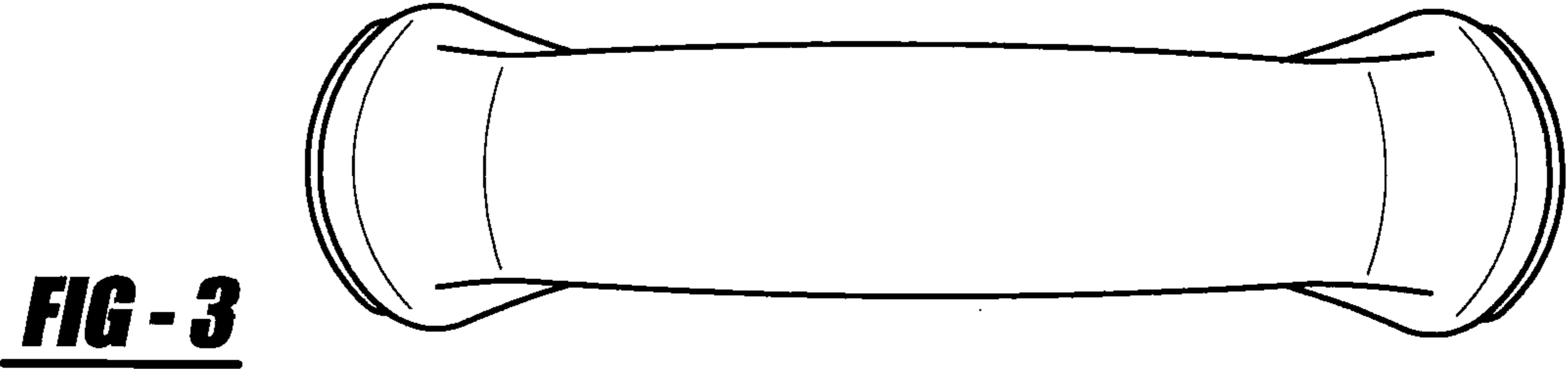
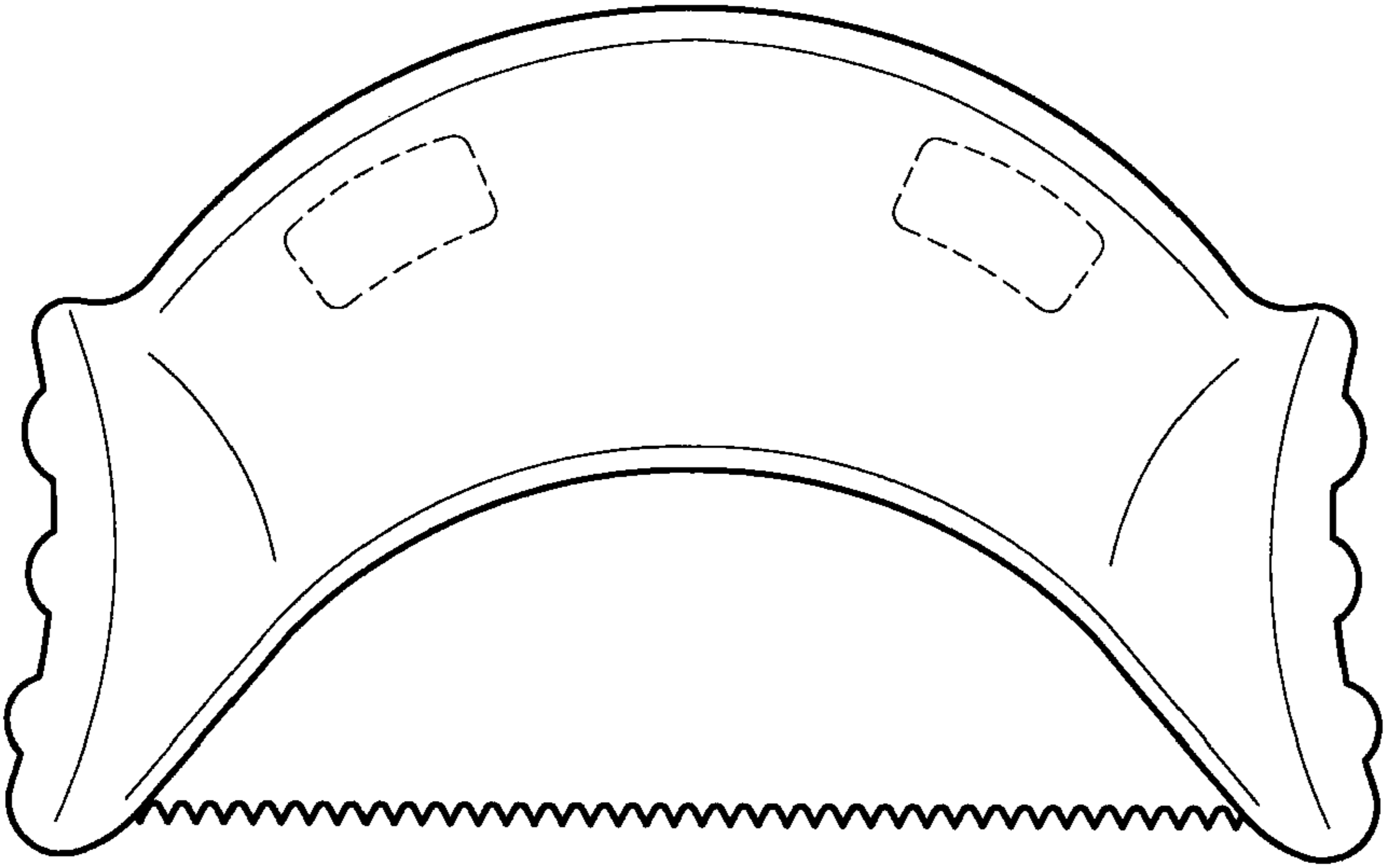
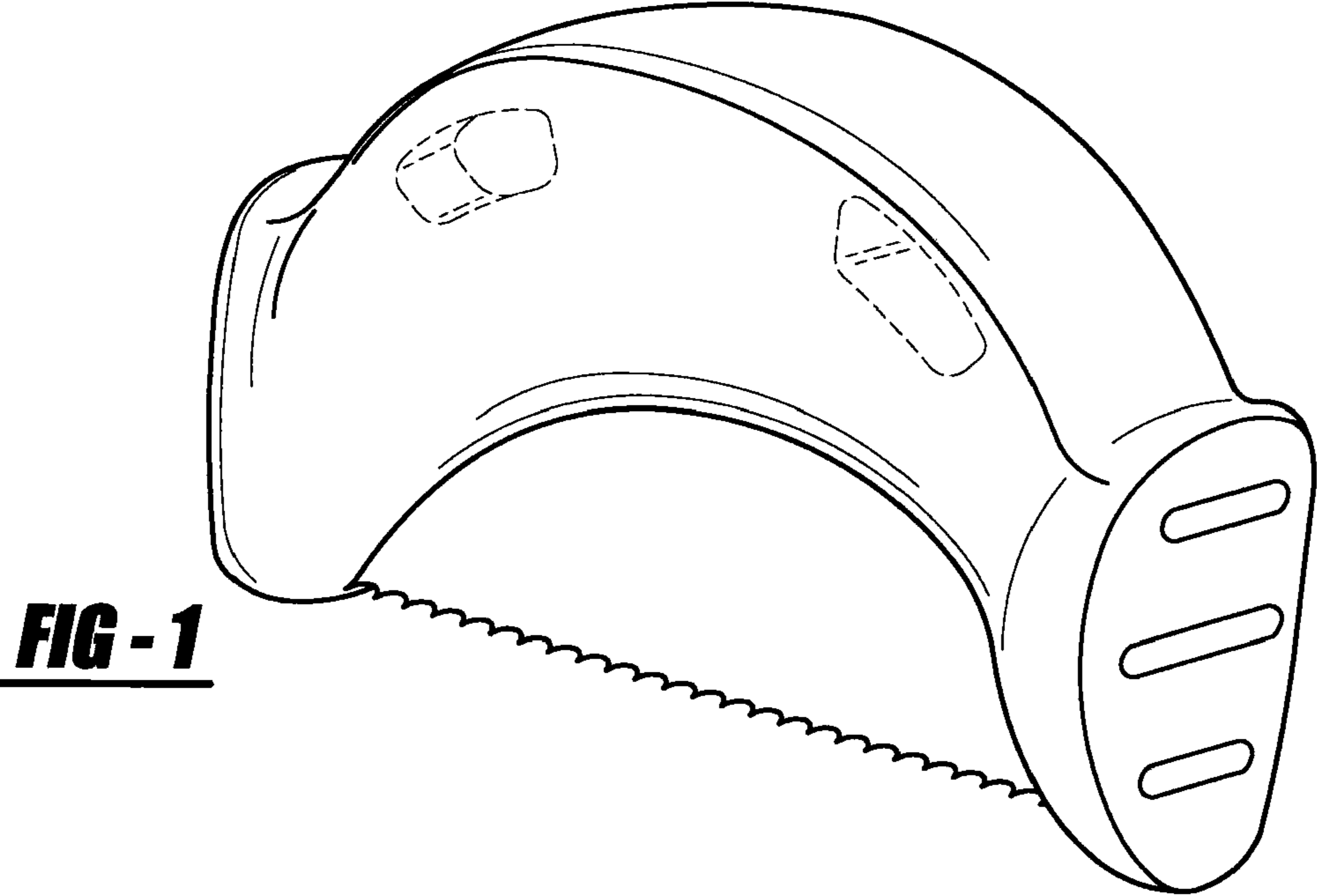
FIG. 6 is a back view of the interproximal dental tool shown in FIG. 1; and,

FIG. 7 is a right side view of the interproximal dental tool shown in FIG. 1.

The broken lines shown in the drawings are included for the purpose of illustrating structural environment and form no part of the claimed design.

1 Claim, 2 Drawing Sheets





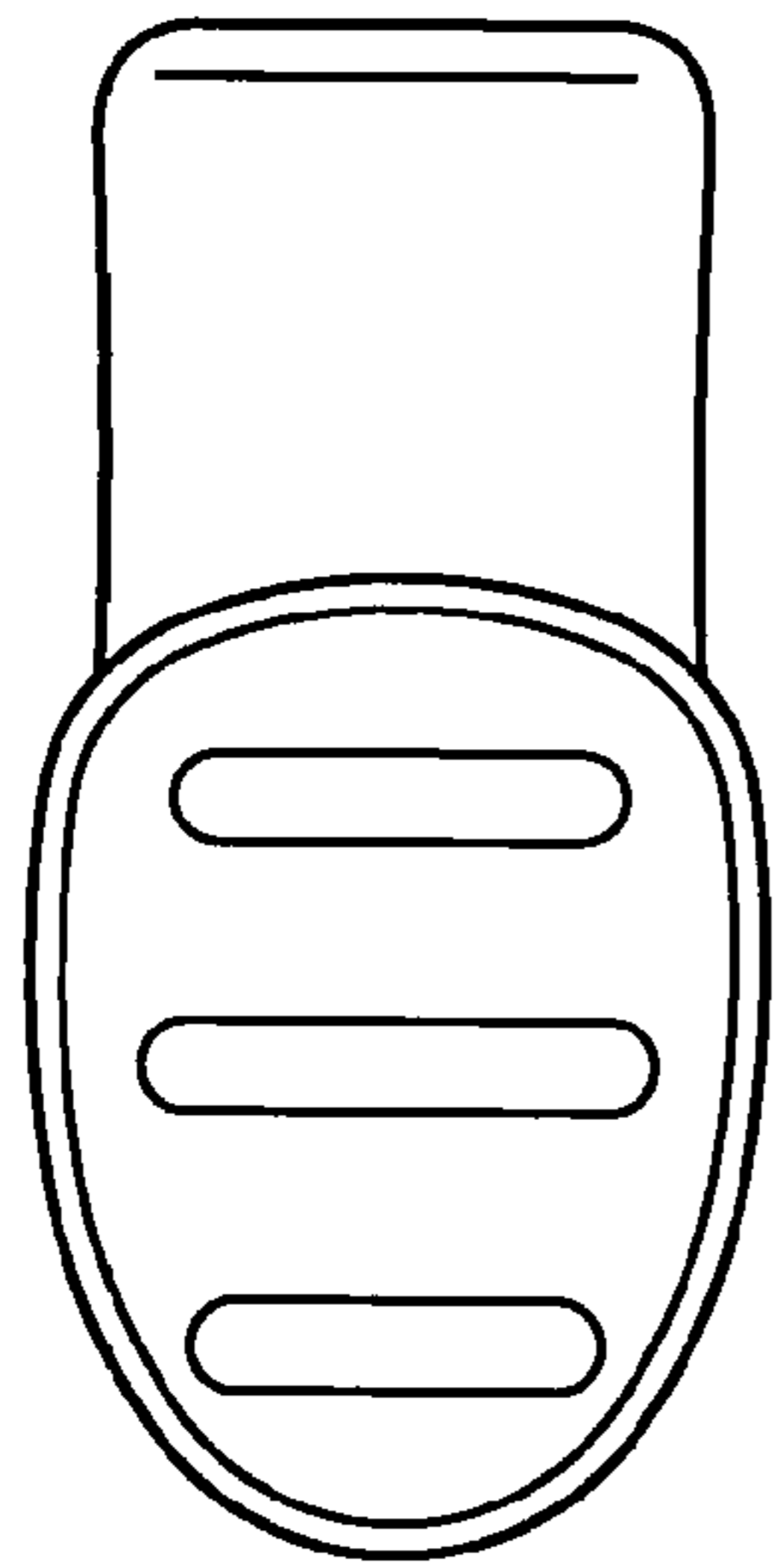


FIG - 4

FIG - 5

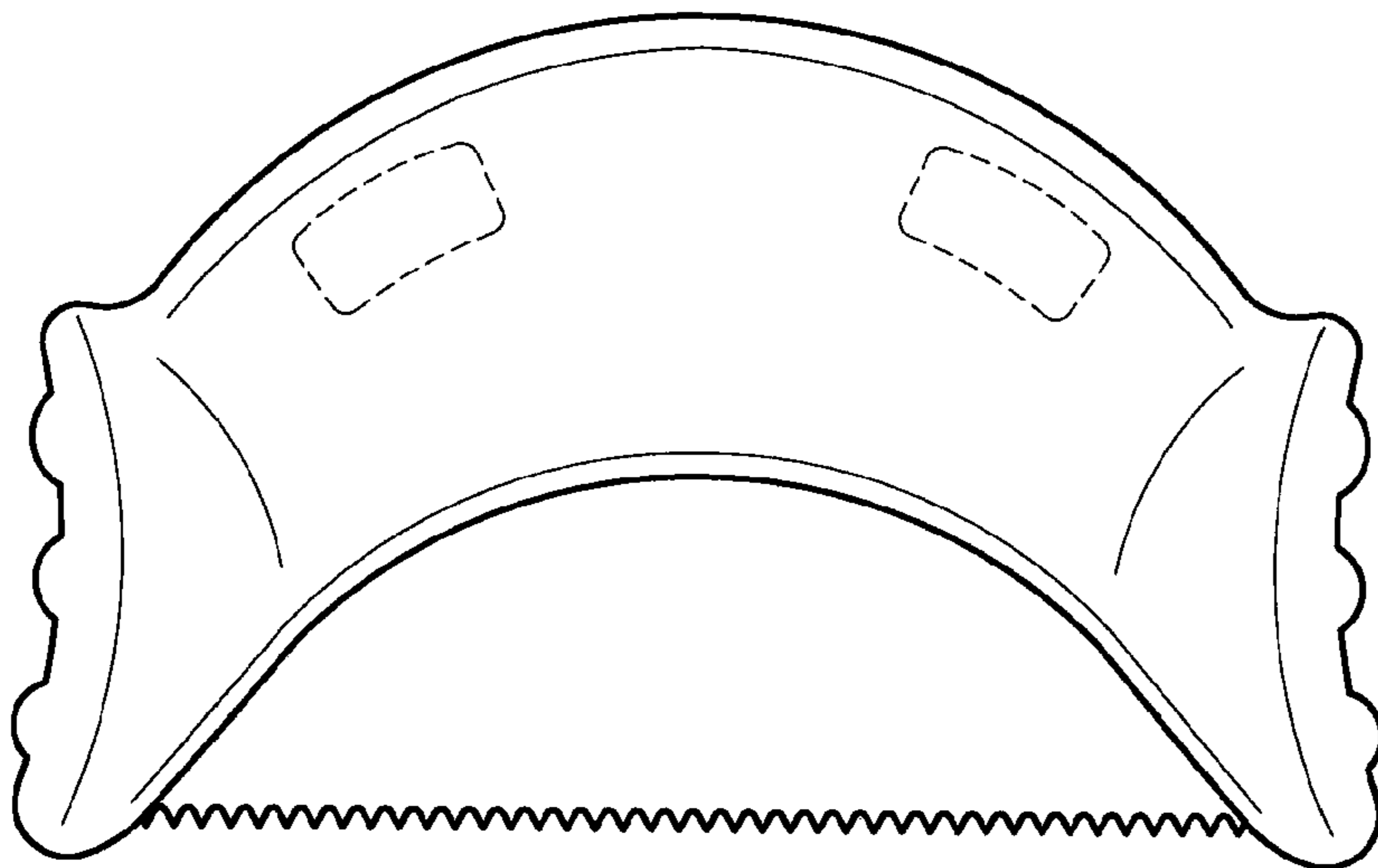
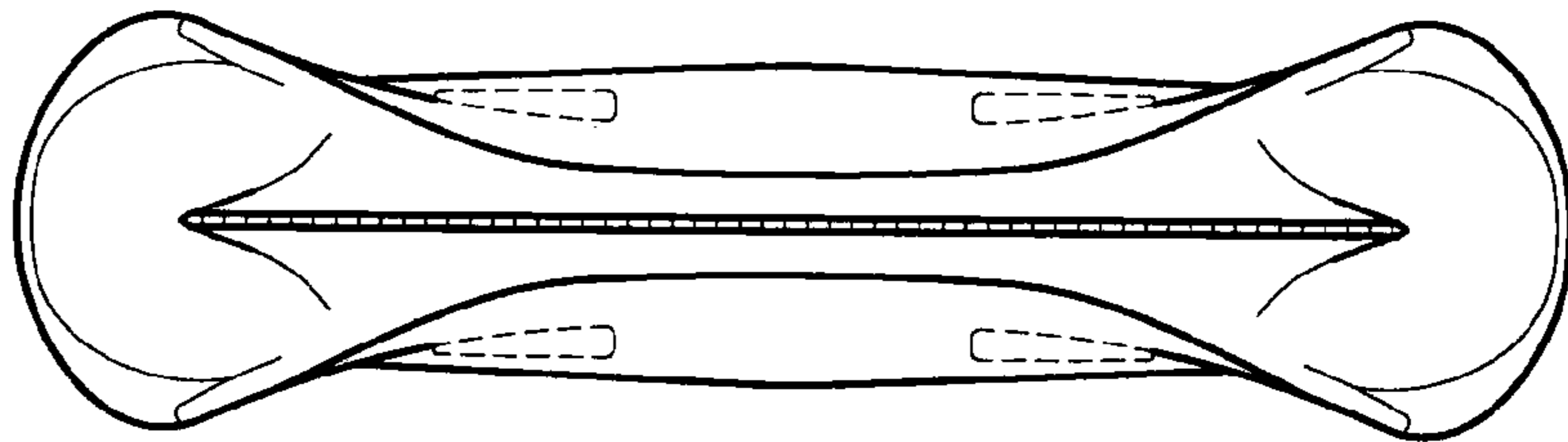


FIG - 6

FIG - 7

