



US00D609340S

(12) **United States Design Patent**
Eder et al.

(10) **Patent No.:** **US D609,340 S**

(45) **Date of Patent:** **** Feb. 2, 2010**

(54) **VACUUM DEVICE**

2008/0262527 A1* 10/2008 Eder et al. 606/185

(75) Inventors: **Joseph Eder**, Los Altos Hills, CA (US);
Erik Walberg, Redwood City, CA (US)

* cited by examiner

(73) Assignee: **Aragon Surgical, Inc.**, Palo Alto, CA
(US)

Primary Examiner—Ian Simmons

Assistant Examiner—Wan Laymon

(74) *Attorney, Agent, or Firm*—Michael A. Glenn; Glenn
Patent Group

(**) Term: **14 Years**

(21) Appl. No.: **29/304,348**

(57) **CLAIM**

(22) Filed: **Feb. 28, 2008**

The design for a vacuum device, as shown and described
herein.

(51) **LOC (9) Cl.** **24-02**

(52) **U.S. Cl.** **D24/140; D24/133**

(58) **Field of Classification Search** D24/107–108,
D24/130, 133, 140, 147; 34/92; 220/231;
606/185; 604/119, 176, 317, 319, 326; 600/562,
600/565–567; D7/538, 543

See application file for complete search history.

DESCRIPTION

FIG. 1 is a perspective view of an ornamental design for a
vacuum device;

FIG. 2 is an exterior perspective view of a right hemisphere of
an ornamental design for a vacuum device;

FIG. 3 is an interior perspective view of a right hemisphere of
an ornamental design for a vacuum device;

FIG. 4 is a top plan view of a right hemisphere of an orna-
mental design for a vacuum device;

FIG. 5 is an external perspective view of a left hemisphere of
an ornamental design for a vacuum device;

FIG. 6 is an internal perspective view of a left hemisphere of
an ornamental design for a vacuum device; and,

FIG. 7 is a top plan view of a left hemisphere of an ornamental
design for a vacuum device.

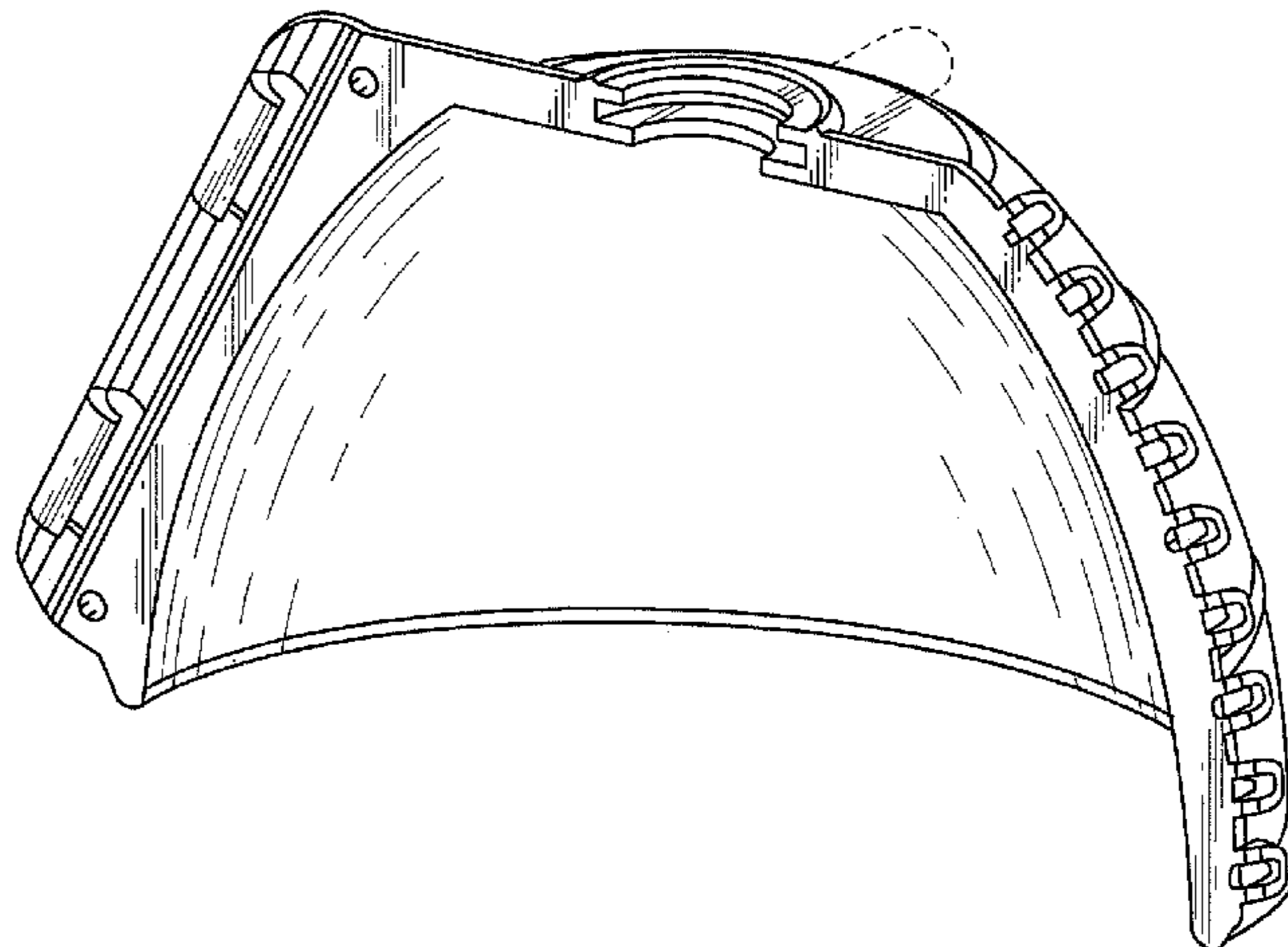
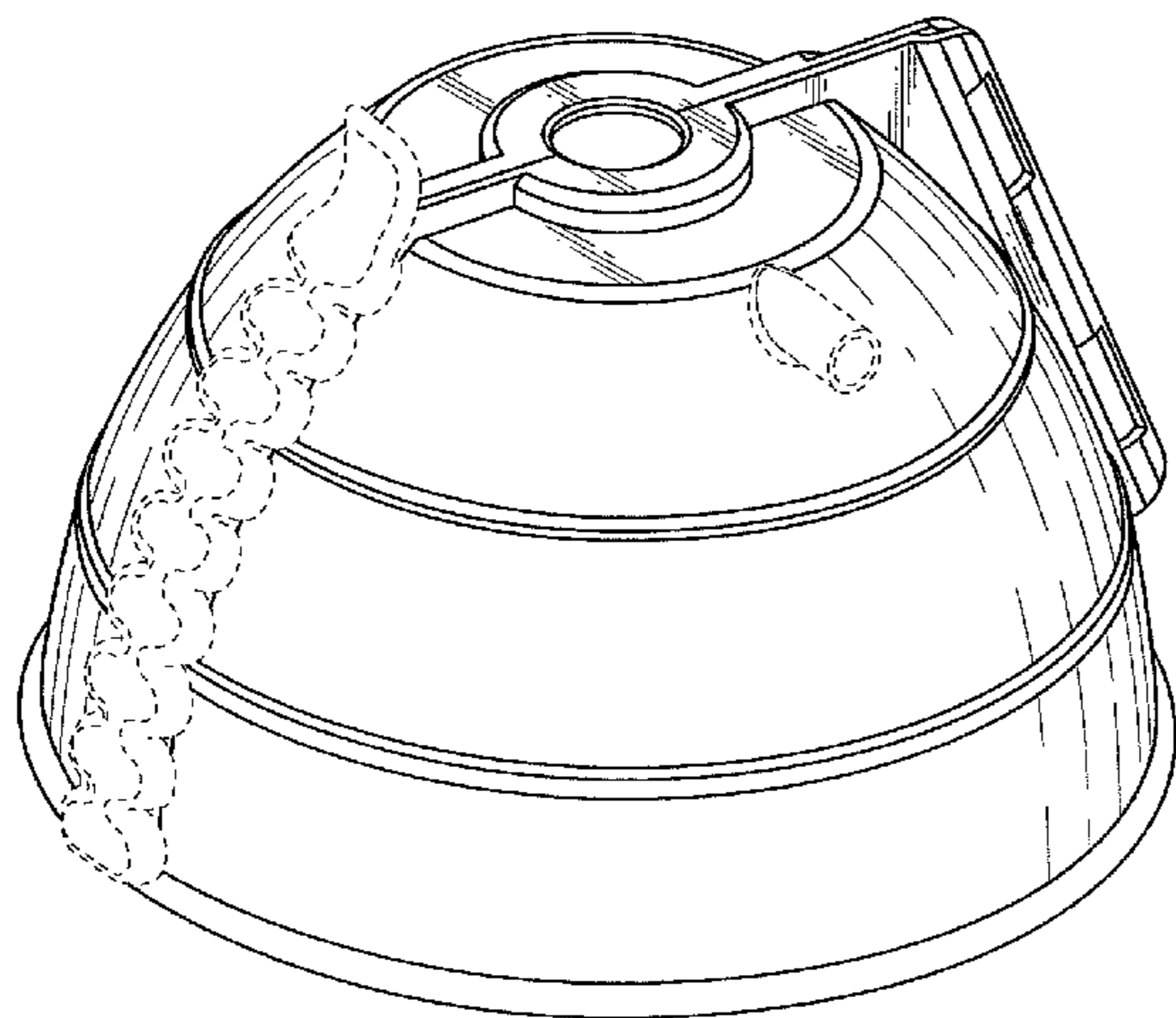
The broken lines showing portions of a vacuum device are
included for the purpose of illustrating environmental struc-
tures and form no part of the claimed design.

(56) **References Cited**

U.S. PATENT DOCUMENTS

D30,951 S *	6/1899	Saint Cyr, Jr.	D24/133
2,742,709 A *	4/1956	De Woody et al.	34/92
4,320,849 A *	3/1982	Yellin	220/252
4,633,865 A *	1/1987	Hengstberger et al.	606/201
4,892,213 A *	1/1990	Mason, Jr.	220/4.21
D324,911 S *	3/1992	Sancoff et al.	D24/111
D344,133 S *	2/1994	Stamler	D24/130
6,042,539 A *	3/2000	Harper et al.	600/201
D556,895 S *	12/2007	Thom et al.	D24/108
D566,832 S *	4/2008	Thom et al.	D24/108
7,507,209 B2 *	3/2009	Nezhat et al.	600/560
2008/0058603 A1 *	3/2008	Edelstein et al.	600/201
2008/0058851 A1 *	3/2008	Edelstein et al.	606/185

1 Claim, 4 Drawing Sheets



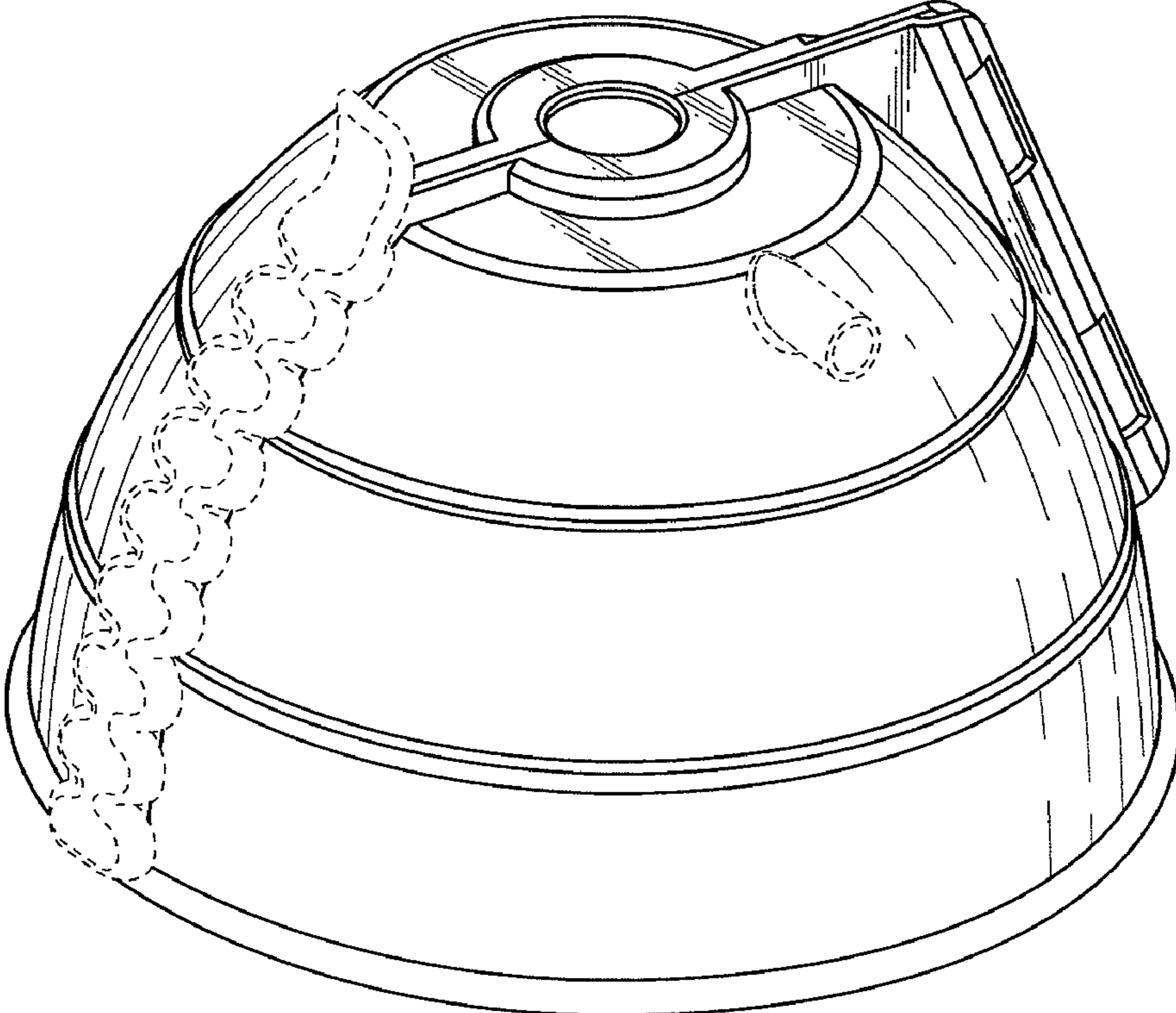


FIG. 1

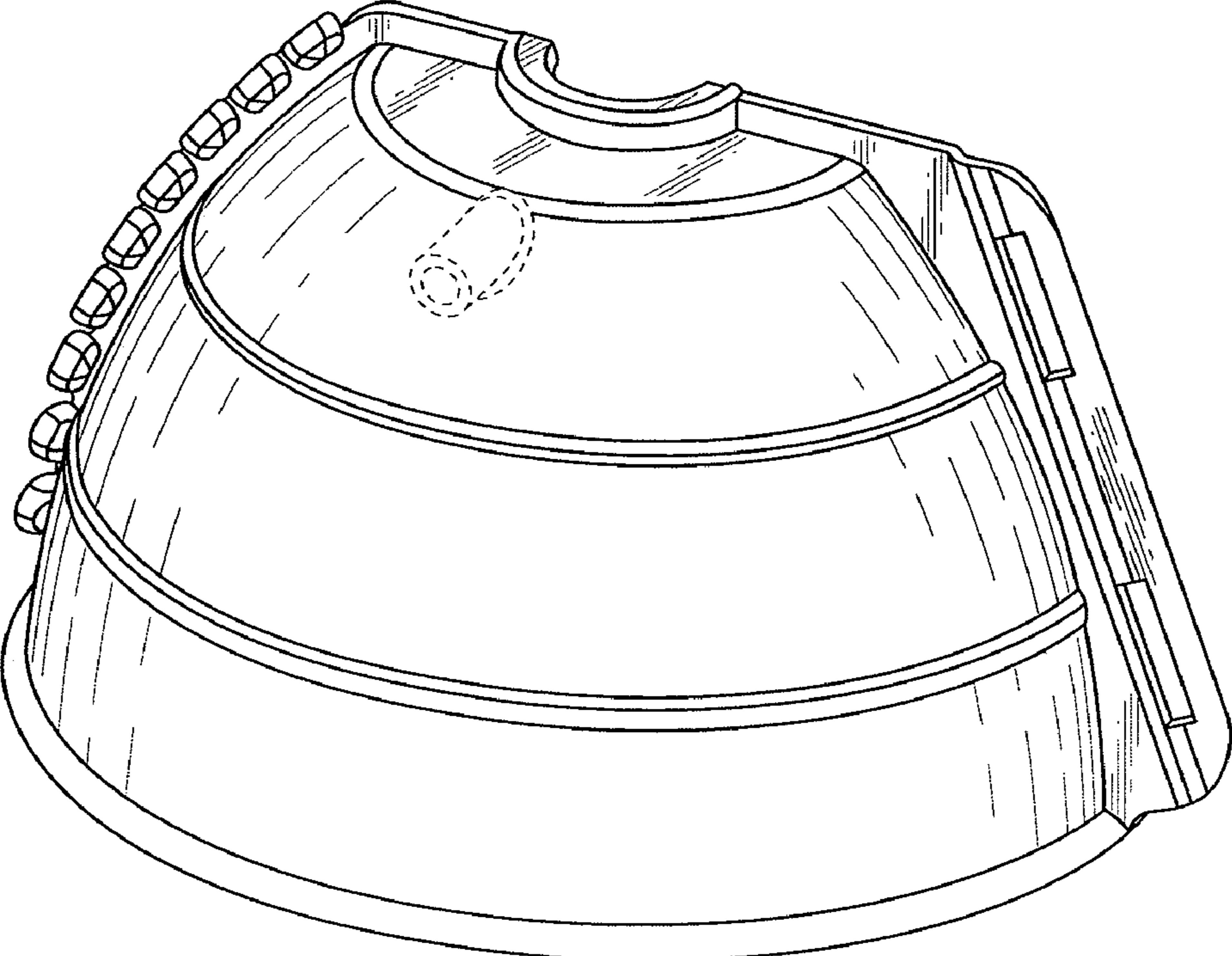


FIG. 2

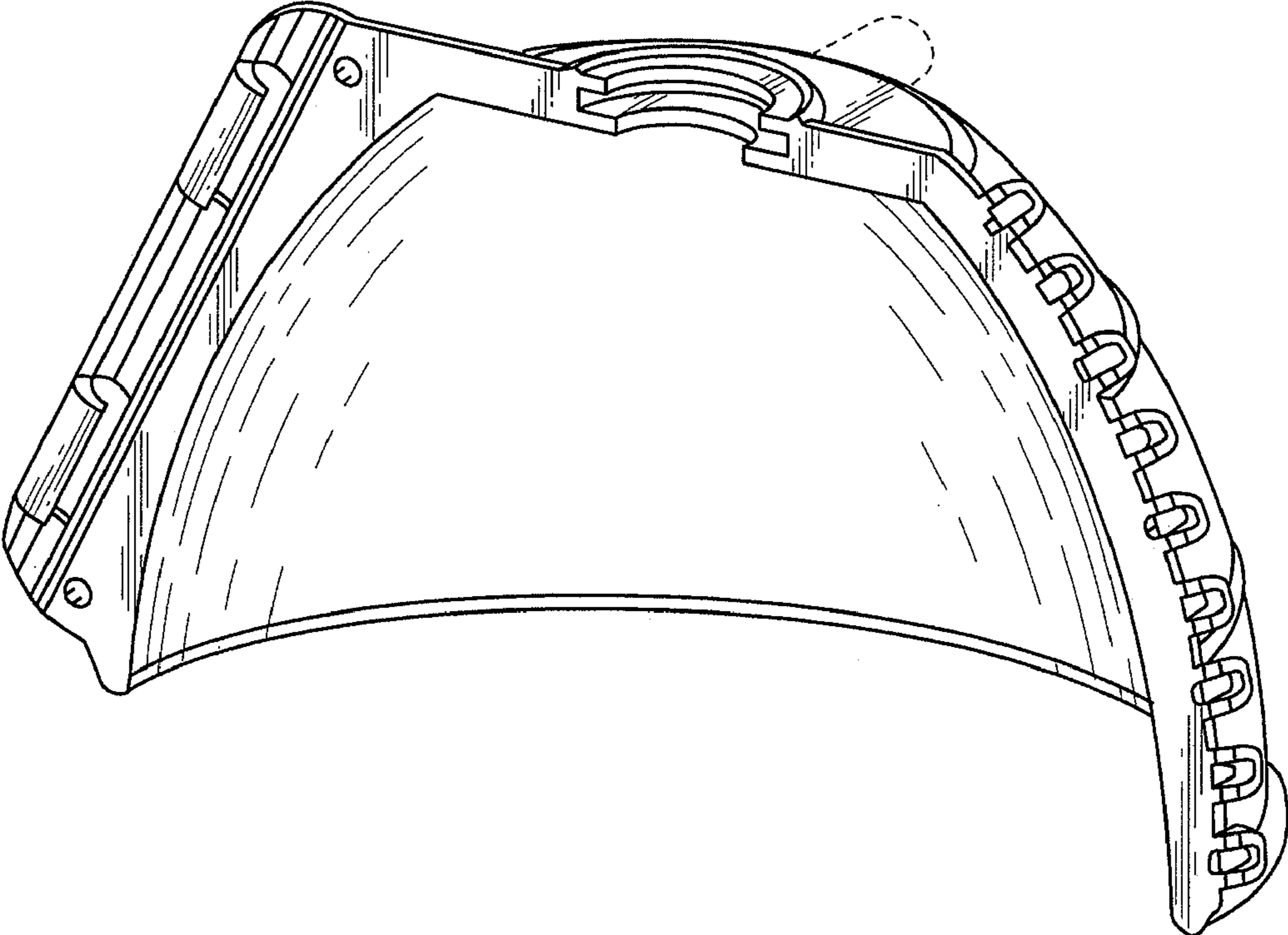


FIG. 3

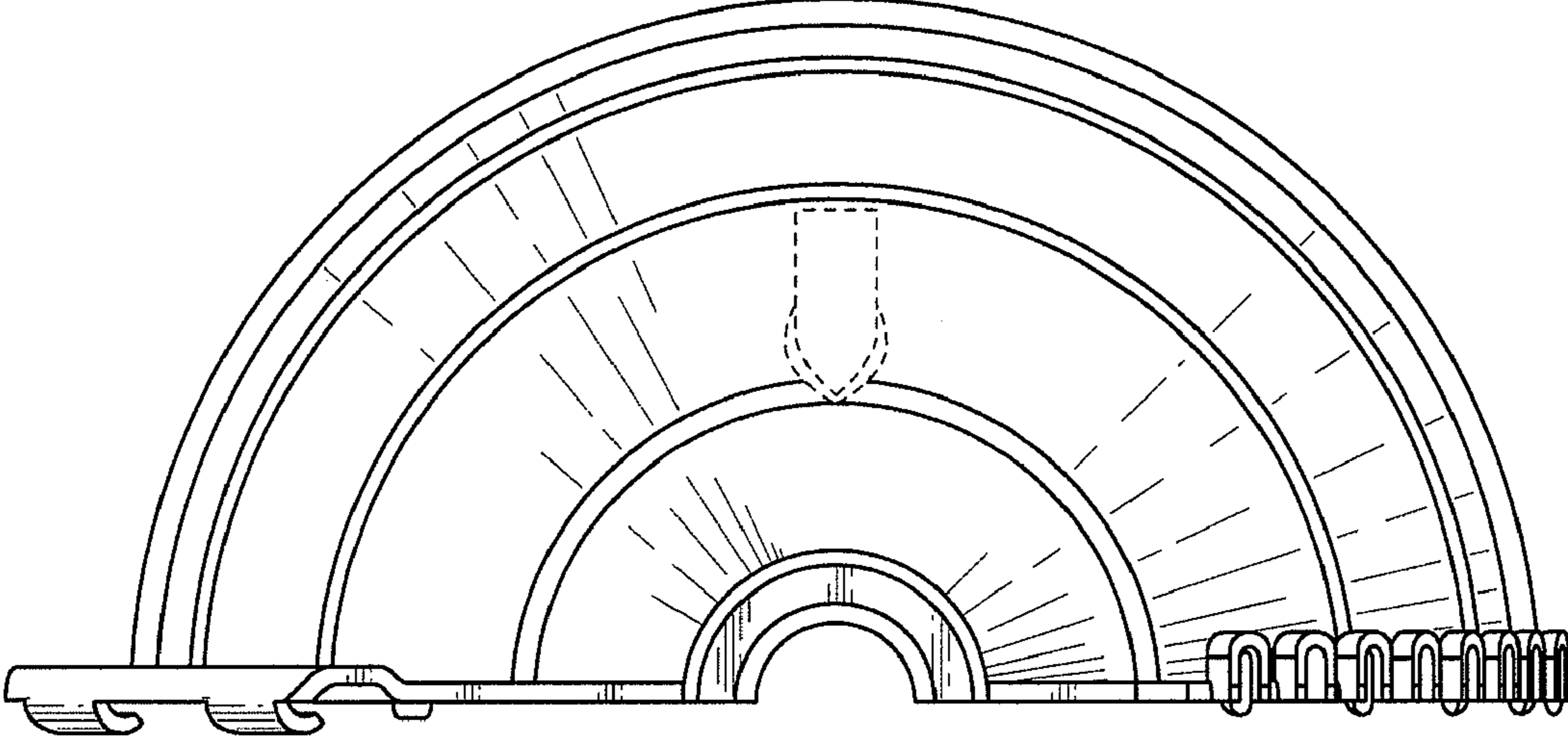


FIG. 4

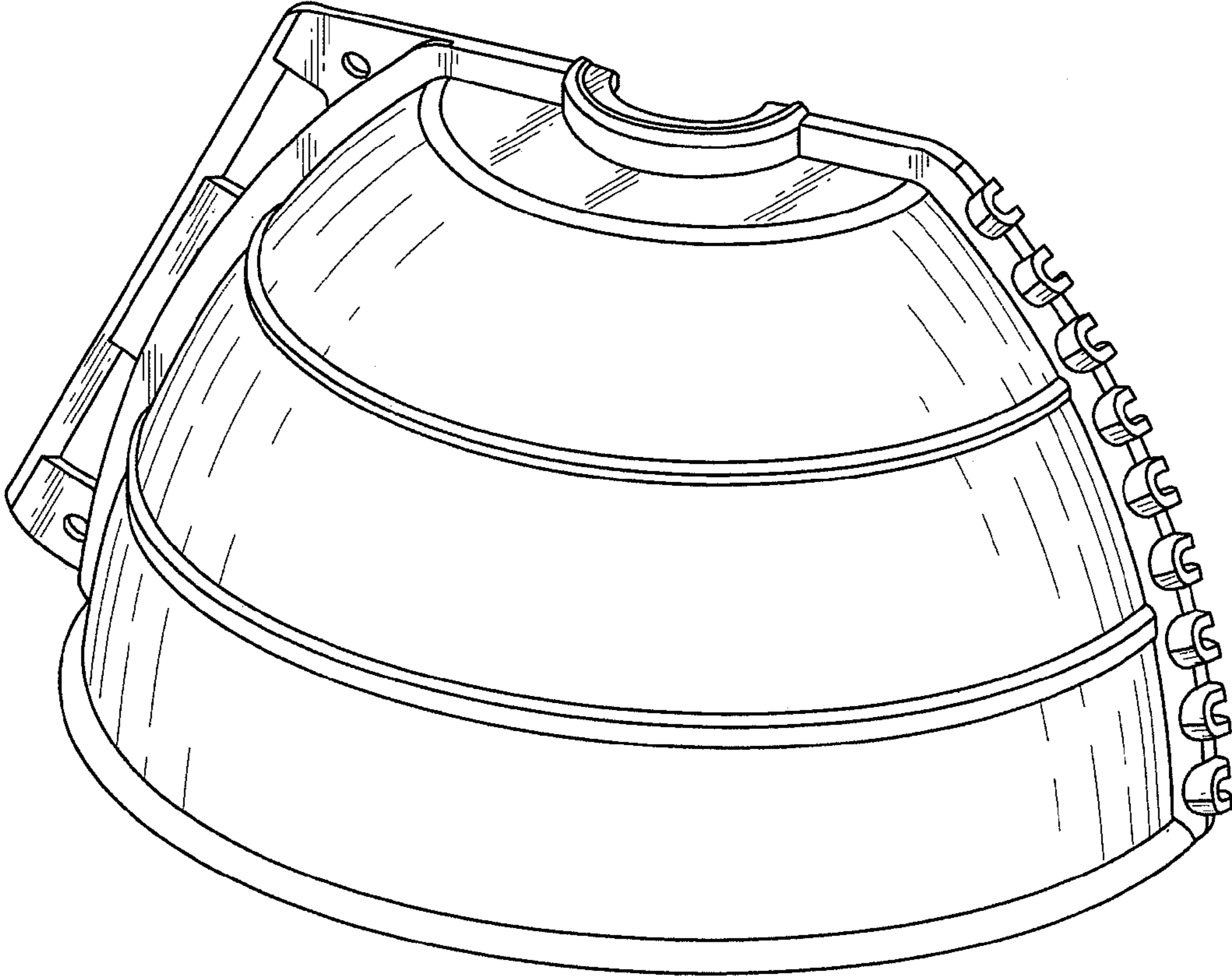


FIG. 5

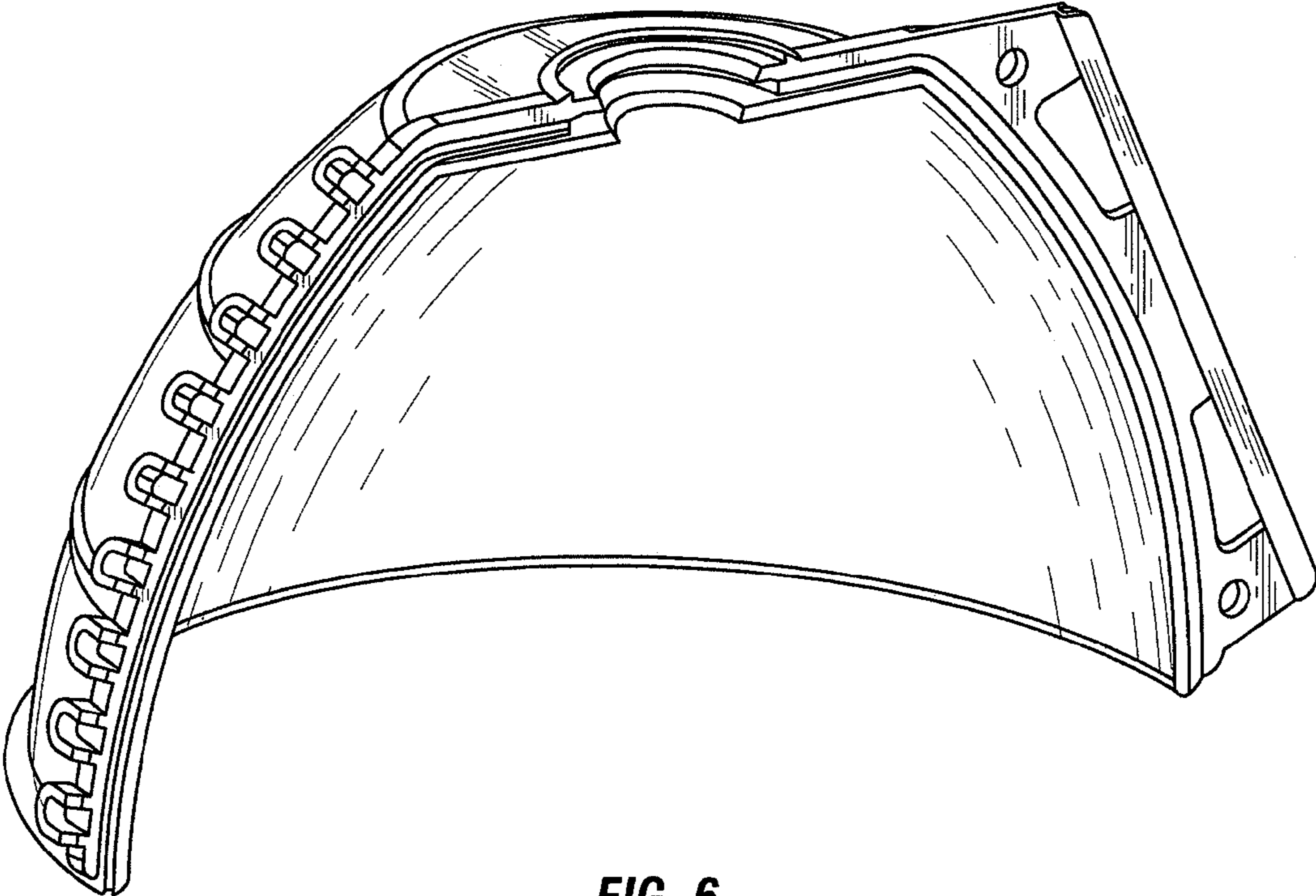


FIG. 6

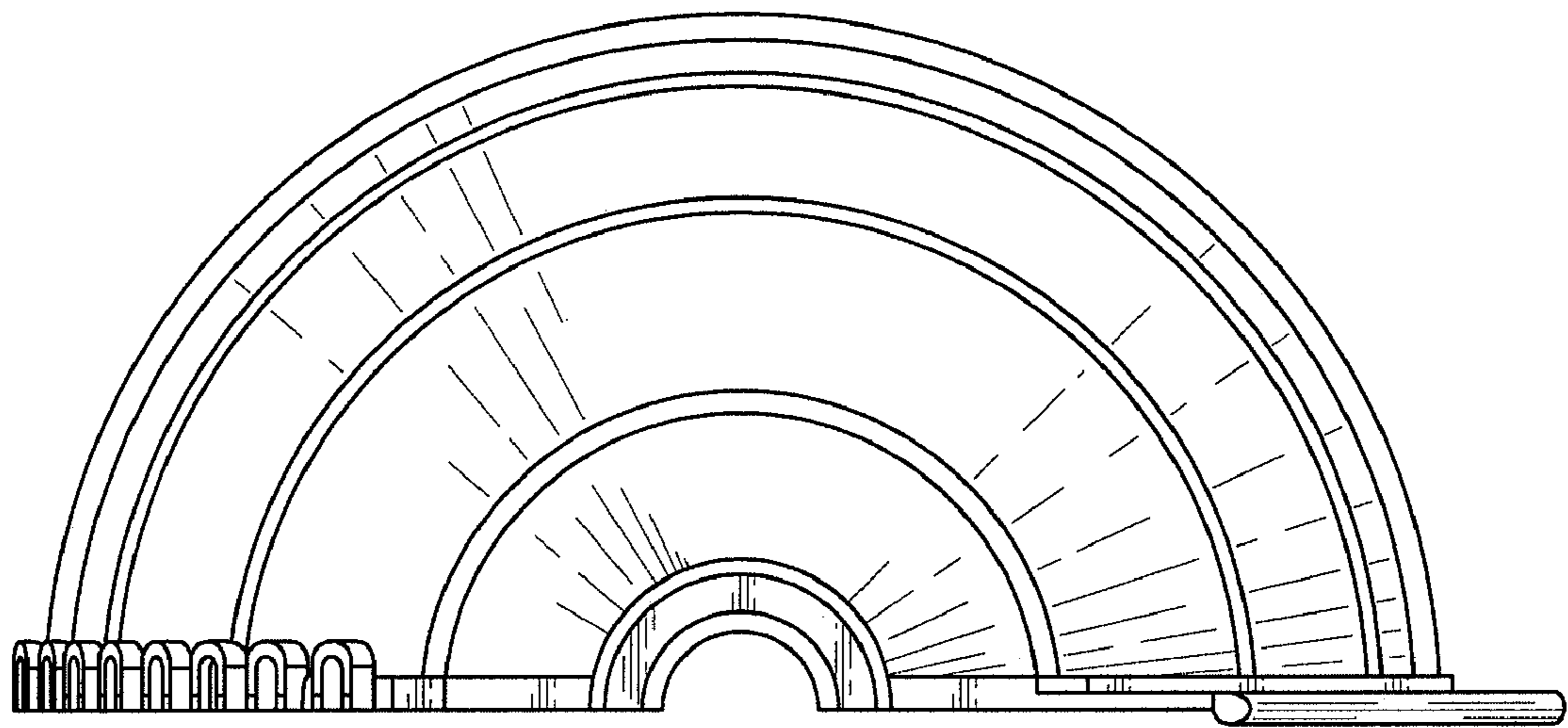


FIG. 7