



US00D609336S

(12) **United States Design Patent**
Savage et al.

(10) **Patent No.:** **US D609,336 S**
(45) **Date of Patent:** **** Feb. 2, 2010**

(54) **HANGER FOR A FLUID COLLECTION CONTAINER**

(75) Inventors: **Alberto C. Savage**, Buffalo Grove, IL (US); **Earl D. Wilson**, Ingleside, IL (US)

(73) Assignee: **Medline Industries, Inc.**, Mundelein, IL (US)

(**) Term: **14 Years**

(21) Appl. No.: **29/339,701**

(22) Filed: **Jul. 6, 2009**

Related U.S. Application Data

(62) Division of application No. 29/327,483, filed on Nov. 6, 2008, now Pat. No. Des. 600,344.

(51) **LOC (9) Cl.** **24-02**

(52) **U.S. Cl.** **D24/128**

(58) **Field of Classification Search** D6/413, D6/415, 411, 417, 405, 403, 462; D24/128; 211/71, 113; 248/320–321, 327, 328, 318, 248/74.4, 316.2, 316.4, 205.2, 68.1; 604/174, 604/177–180; 128/DIG. 26
See application file for complete search history.

(56) **References Cited**

U.S. PATENT DOCUMENTS

2,253,444 A 8/1941 Muller 248/75

(Continued)

FOREIGN PATENT DOCUMENTS

WO WO 99/23978 5/1999

Primary Examiner—T. Chase Nelson
Assistant Examiner—Eric L Goodman
(74) *Attorney, Agent, or Firm*—Nixon Peabody LLP

(57) **CLAIM**

The ornamental design for a hanger for a fluid collection container, as shown and described.

DESCRIPTION

FIG. 1 is a perspective view of a first embodiment of an ornamental design of a hanger for a fluid collection container.

FIG. 2 is a front view of the first embodiment thereof.

FIG. 3 is a rear view of the first embodiment thereof.

FIG. 4 is a first side view of the first embodiment thereof.

FIG. 5 is a second side view of the first embodiment thereof.

FIG. 6 is a top view of the first embodiment thereof.

FIG. 7 is a bottom view of the first embodiment thereof.

FIG. 8 is a perspective view of a second embodiment of an ornamental design of a hanger for a fluid collection container.

FIG. 9 is a front view of the second embodiment thereof.

FIG. 10 is a rear view of the second embodiment thereof.

FIG. 11 is a first side view of the second embodiment thereof.

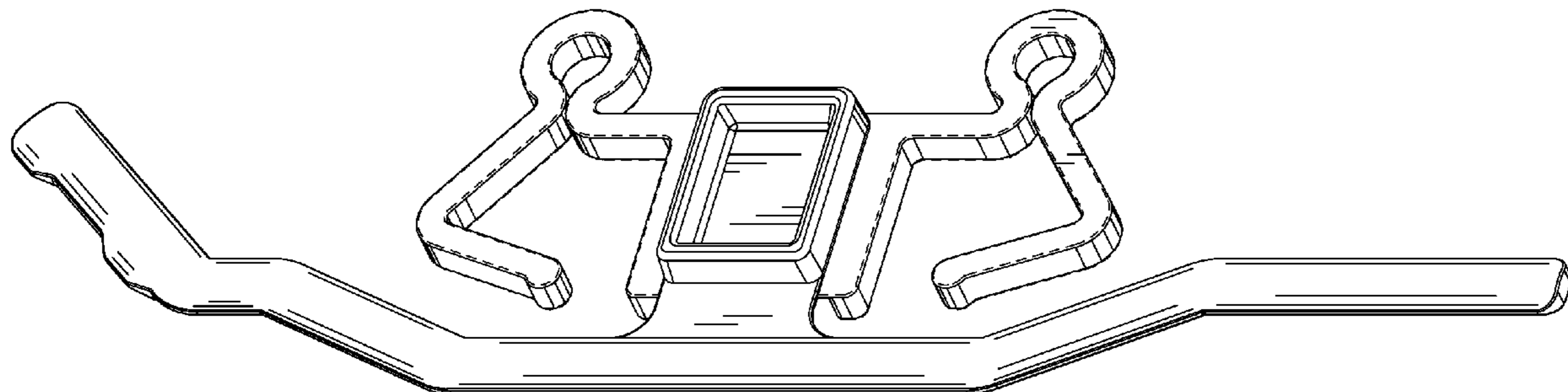
FIG. 12 is a second side view of the second embodiment thereof.

FIG. 13 is a top view of the second embodiment thereof; and,

FIG. 14 is a bottom view of the second embodiment thereof.

The broken lines shown in FIGS. 1–7 are included for the purpose of illustrating environmental elements only and form no part of the claimed design.

1 Claim, 10 Drawing Sheets



U.S. PATENT DOCUMENTS

D194,965 S	4/1963	Guss	D24/128	5,429,624 A	7/1995	Coelho, Jr.	604/323
3,090,968 A	5/1963	Buono	4/110	5,647,670 A	7/1997	Iscovich	383/33
3,220,434 A	11/1965	Garth	137/374	5,779,198 A	7/1998	Rutherford et al.	248/58
3,237,624 A	3/1966	Jinkens et al.	128/275	5,842,233 A	12/1998	Brodén	4/144.1
3,345,023 A	10/1967	Scott et al.	248/95	5,911,786 A	6/1999	Nielsen et al.	73/427
3,534,738 A	10/1970	Huck	604/325	5,935,115 A	8/1999	Espina	604/277
3,537,109 A	11/1970	Spurrier et al.	4/110	5,967,200 A	10/1999	Hall	141/86
3,592,343 A	7/1971	Swett et al.	211/123	6,007,521 A	12/1999	Bidwell et al.	604/264
4,015,605 A	4/1977	McWhorter	128/294	6,098,210 A	8/2000	Broden	4/144.1
4,019,707 A	4/1977	Quinn et al.	248/95	6,132,407 A	10/2000	Genese et al.	604/327
4,027,842 A	6/1977	Mittleman	248/75	6,170,679 B1	1/2001	Frye et al.	211/113
4,051,578 A	10/1977	Manschot et al.	251/4	6,212,698 B1	4/2001	Stingley et al.	4/315
4,188,989 A	2/1980	Andersen	150/9	6,318,419 B1	11/2001	Lee	141/108
4,219,177 A	8/1980	O'Day	248/215	6,471,680 B1	10/2002	Cawood	604/327
4,305,405 A	12/1981	Meisch	128/762	6,482,190 B1	11/2002	Genese et al.	604/327
4,312,352 A	1/1982	Meisch et al.	128/294	6,491,673 B1	12/2002	Palumbo et al.	604/317
4,317,550 A	3/1982	Hannah	248/95	6,543,064 B1	4/2003	Pral et al.	4/144.1
4,393,880 A	7/1983	Taylor	128/760	6,641,093 B2	11/2003	Coudrais	248/73
4,501,584 A	2/1985	Cianci et al.	604/322	6,716,200 B2	4/2004	Bracken et al.	604/265
4,559,937 A	12/1985	Vinson	128/132	6,736,803 B2	5/2004	Cawood	604/327
4,562,984 A	1/1986	Sherlock et al.	248/95	6,796,974 B2	9/2004	Palumbo et al.	604/355
4,650,478 A	3/1987	Dunn	604/322	6,857,137 B2	2/2005	Otto	4/144.1
D298,460 S	11/1988	Pryor	D24/128	6,858,021 B2	2/2005	Washington	604/265
4,857,042 A	8/1989	Schneider	604/4	6,887,230 B2	5/2005	Kubalak et al.	604/544
4,886,510 A	12/1989	Matsuura	604/353	6,904,621 B2	6/2005	Otto et al.	4/144.1
4,893,587 A	1/1990	Bailey, Jr.	119/95	7,001,370 B2	2/2006	Kubalak et al.	604/544
5,009,236 A	4/1991	Brothers	128/761	7,008,407 B1	3/2006	Kamp	604/327
5,119,675 A	6/1992	Mohiuddin	73/223	2007/0203463 A1	8/2007	Salvadori et al.	604/323
5,148,940 A	9/1992	Mendise	220/404	2007/0203464 A1	8/2007	Green et al.	604/323
5,217,443 A	6/1993	Oxley	604/317	2008/0140033 A1	6/2008	Burgess et al.	604/319
5,267,989 A	12/1993	Moyet-Ortiz	604/349	2009/0024099 A1	1/2009	Burgess et al.	604/319
5,356,398 A	10/1994	Willis	604/321	2009/0062755 A1	3/2009	Burgess et al.	604/326
5,375,799 A	12/1994	Rhodes	248/95	2009/0101611 A1*	4/2009	Lin et al.	211/113

* cited by examiner

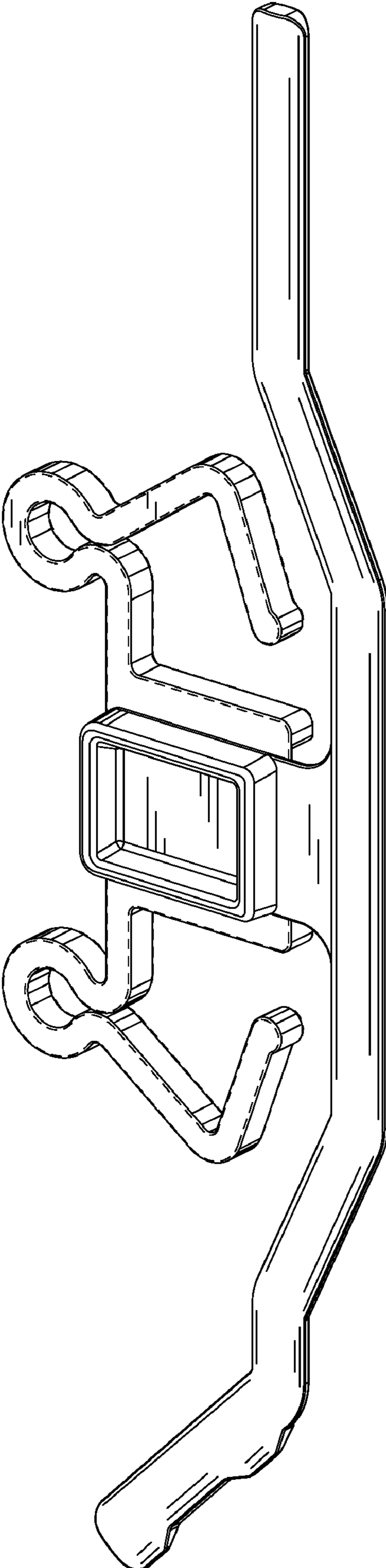


FIG. 1

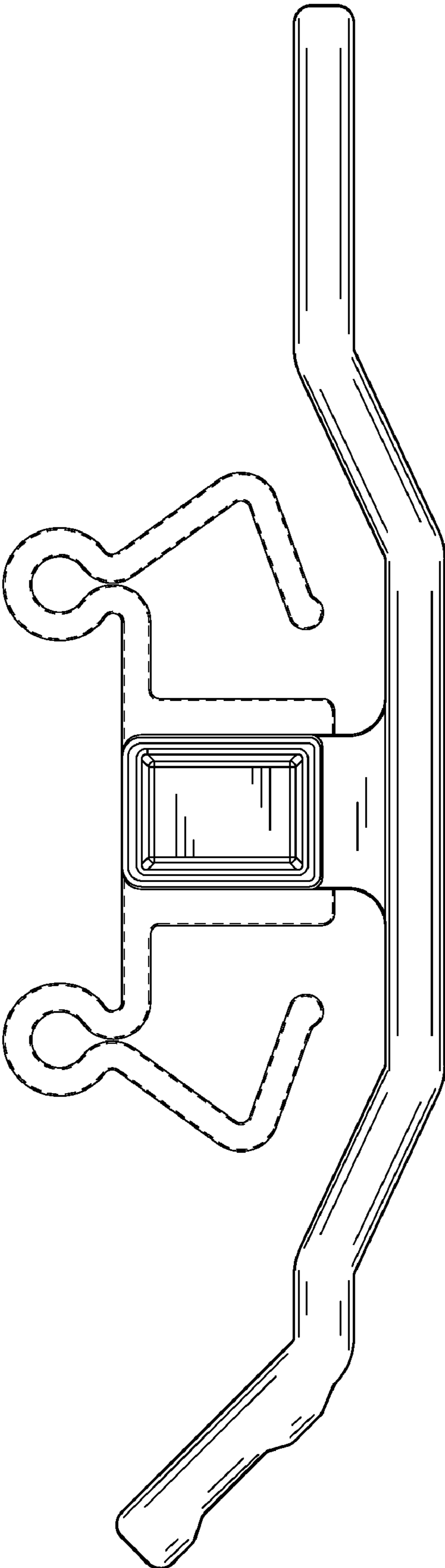


FIG. 2

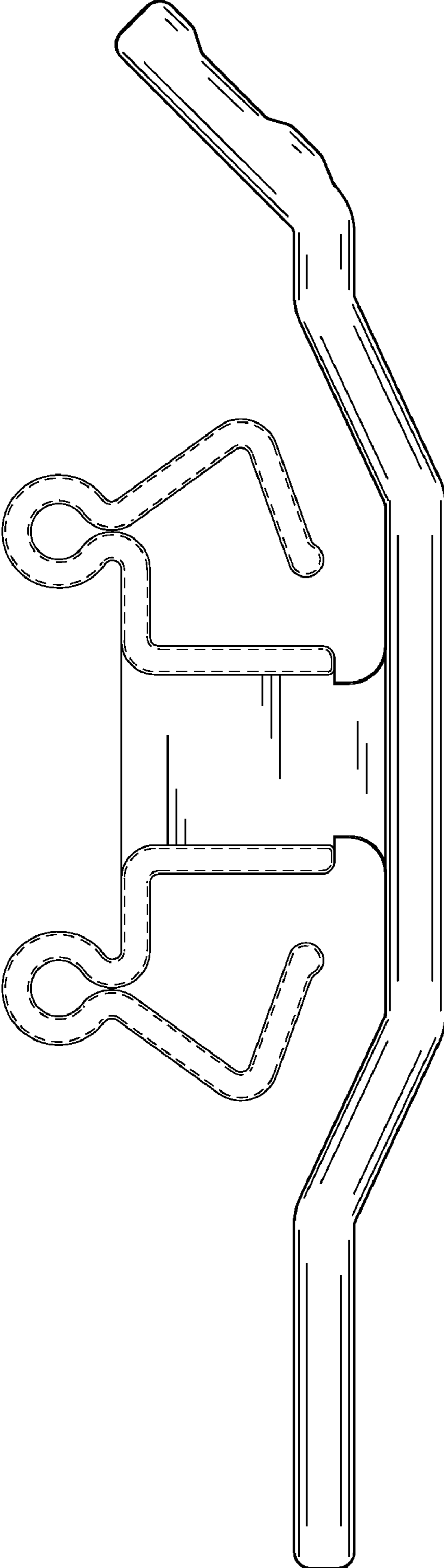


FIG. 3



FIG. 5

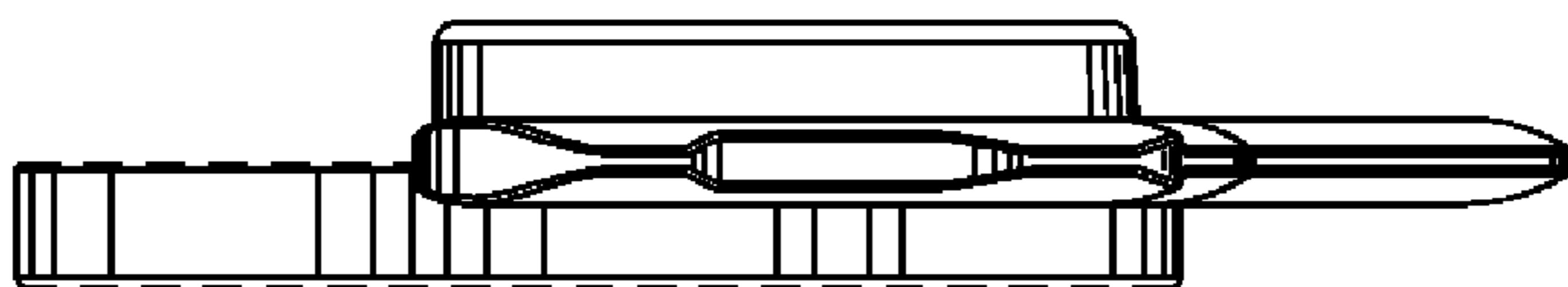


FIG. 4

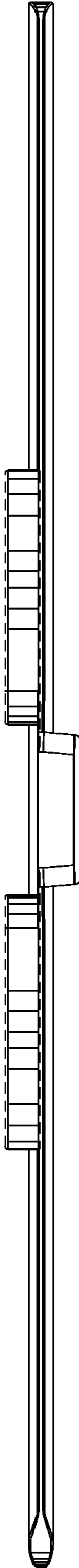


FIG. 6



FIG. 7

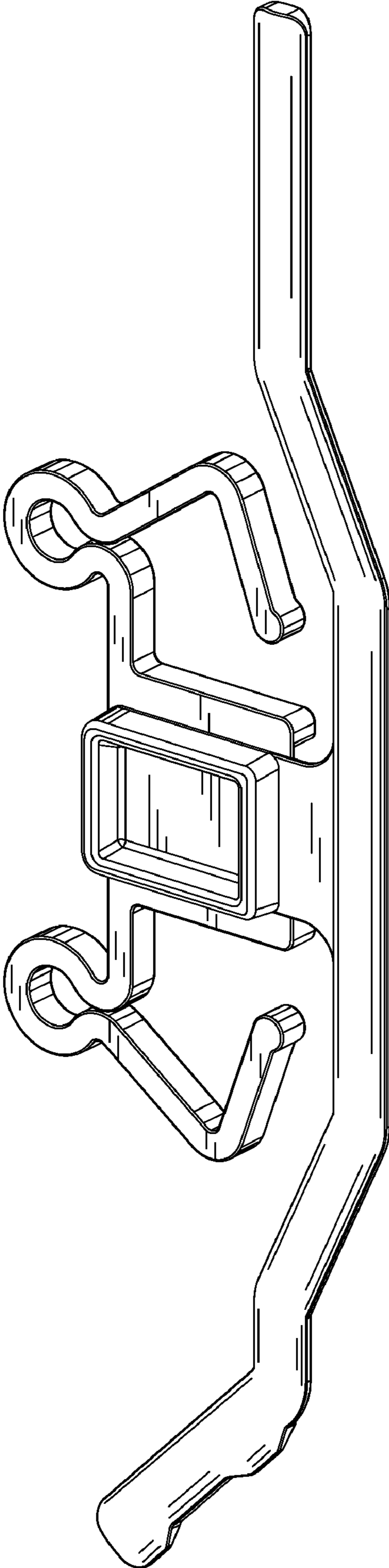


FIG. 8

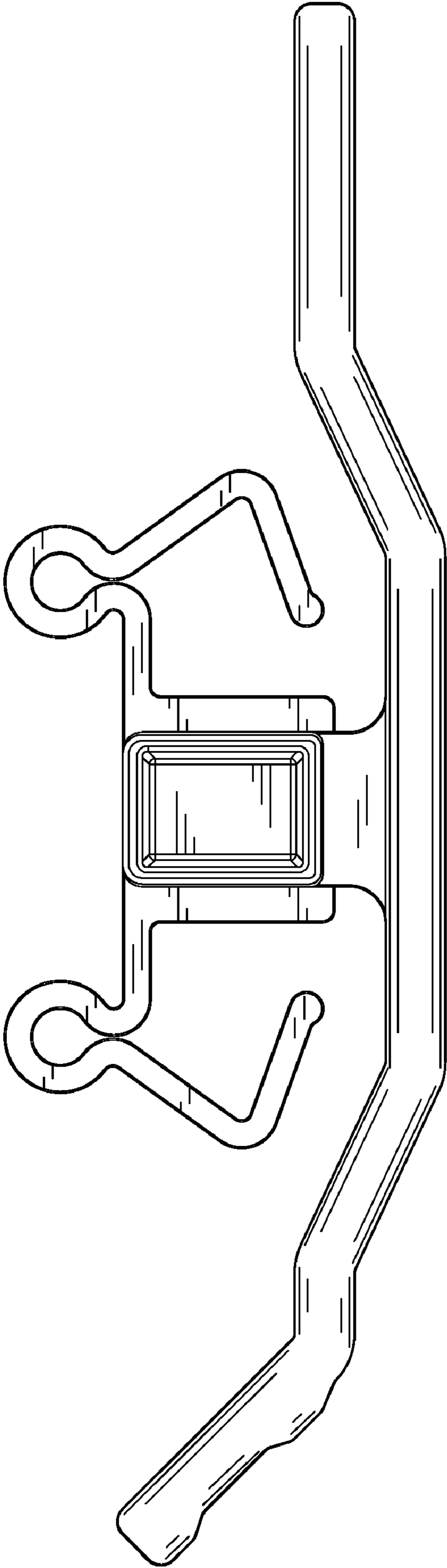


FIG. 9

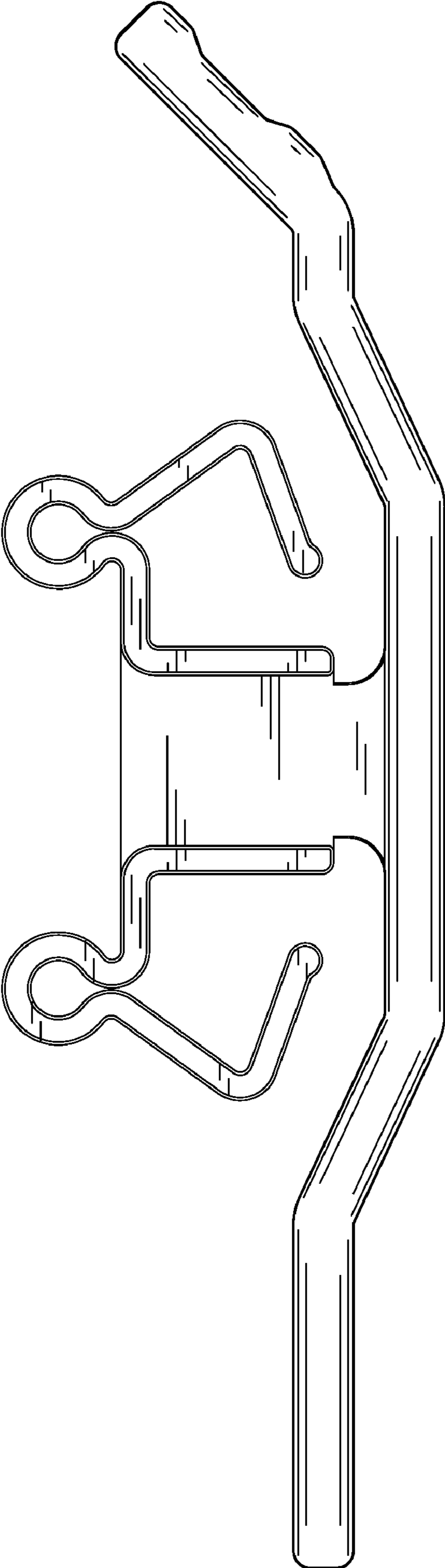


FIG. 10

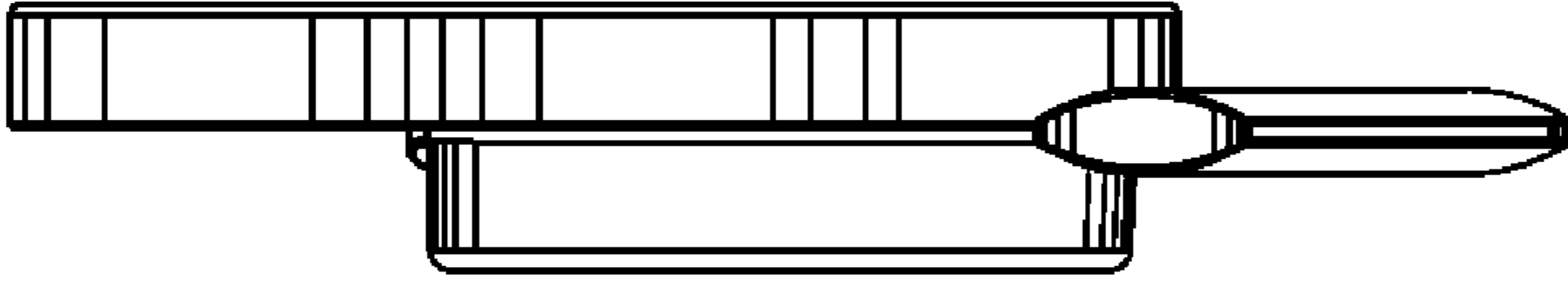


FIG. 12

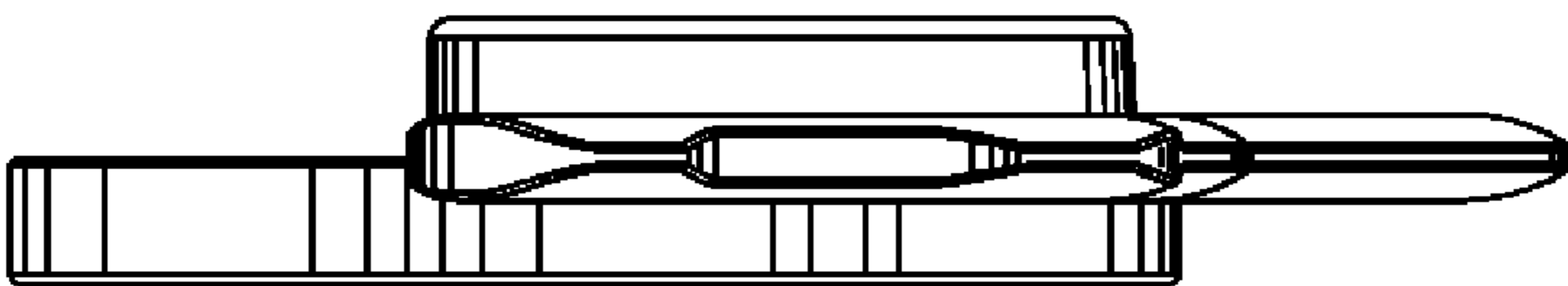


FIG. 11

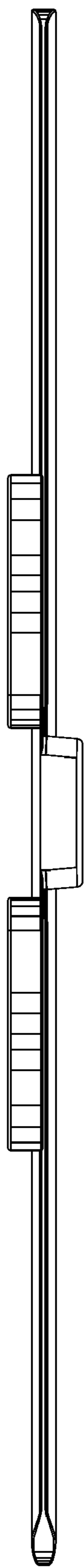


FIG. 13

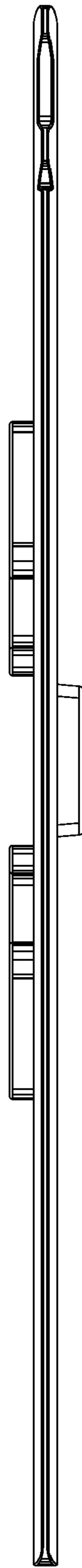


FIG. 14