



US00D609332S

(12) **United States Design Patent**  
**Paterson et al.**

(10) **Patent No.:** **US D609,332 S**

(45) **Date of Patent:** **\*\* Feb. 2, 2010**

(54) **BREAST PUMP BASE UNIT**

(75) Inventors: **Graeme L J Paterson**, Cheddar (GB);  
**Ralph J. Farrer**, Keynsham (GB)

(73) Assignee: **Lansinoh Laboratories**, Alexandria, VA  
(US)

(\*\*) Term: **14 Years**

(21) Appl. No.: **29/314,951**

(22) Filed: **May 12, 2009**

(51) **LOC (9) Cl.** ..... **24-02**

(52) **U.S. Cl.** ..... **D24/109**

(58) **Field of Classification Search** ..... D24/108–109,  
D24/231; 604/73–76; D9/455, 517, 719,  
D9/738–740, 744, 751

See application file for complete search history.

(56) **References Cited**

**U.S. PATENT DOCUMENTS**

D420,443 S *	2/2000	Morifuji	.....	D24/109
D524,789 S *	7/2006	Beasley et al.	.....	D14/149
D528,979 S *	9/2006	Franck et al.	.....	D13/108
D530,302 S *	10/2006	Franck et al.	.....	D14/149
D544,142 S *	6/2007	Huang	.....	D26/142
D559,465 S *	1/2008	Jenkins et al.	.....	D28/83
D562,302 S *	2/2008	Franck et al.	.....	D14/149
D563,619 S *	3/2008	Palese et al.	.....	D32/58
D565,174 S *	3/2008	Pukall et al.	.....	D24/109
D566,041 S *	4/2008	Stratford	.....	D13/108
D573,786 S *	7/2008	Smith et al.	.....	D3/10
D576,999 S *	9/2008	Tofflinger	.....	D14/154
D588,844 S *	3/2009	Tran	.....	D6/495
D593,560 S *	6/2009	Leung et al.	.....	D14/434

D596,247 S \* 7/2009 Wu ..... D21/694

\* cited by examiner

*Primary Examiner*—Elizabeth A Albert

*Assistant Examiner*—Kelley A Donnelly

(74) *Attorney, Agent, or Firm*—Michael W. Ferrell

(57) **CLAIM**

The ornamental design for a breast pump base unit, as shown and described.

**DESCRIPTION**

A portion of the disclosure of this patent document contains material to which a claim for copyright is made. The copyright owner has no objection to the facsimile reproduction by anyone of the patent document or the patent disclosure as it appears in the Patent and Trademark Office patent file or records, but reserves all other copyright rights whatsoever.

FIG. 1 is a perspective of the breast pump base unit;

FIG. 2 a front elevation of the breast pump base unit of FIG. 1;

FIG. 3 is a rear elevation of the breast pump base unit of FIG. 1;

FIG. 4 is a right side elevation of the breast pump base unit of FIG. 1;

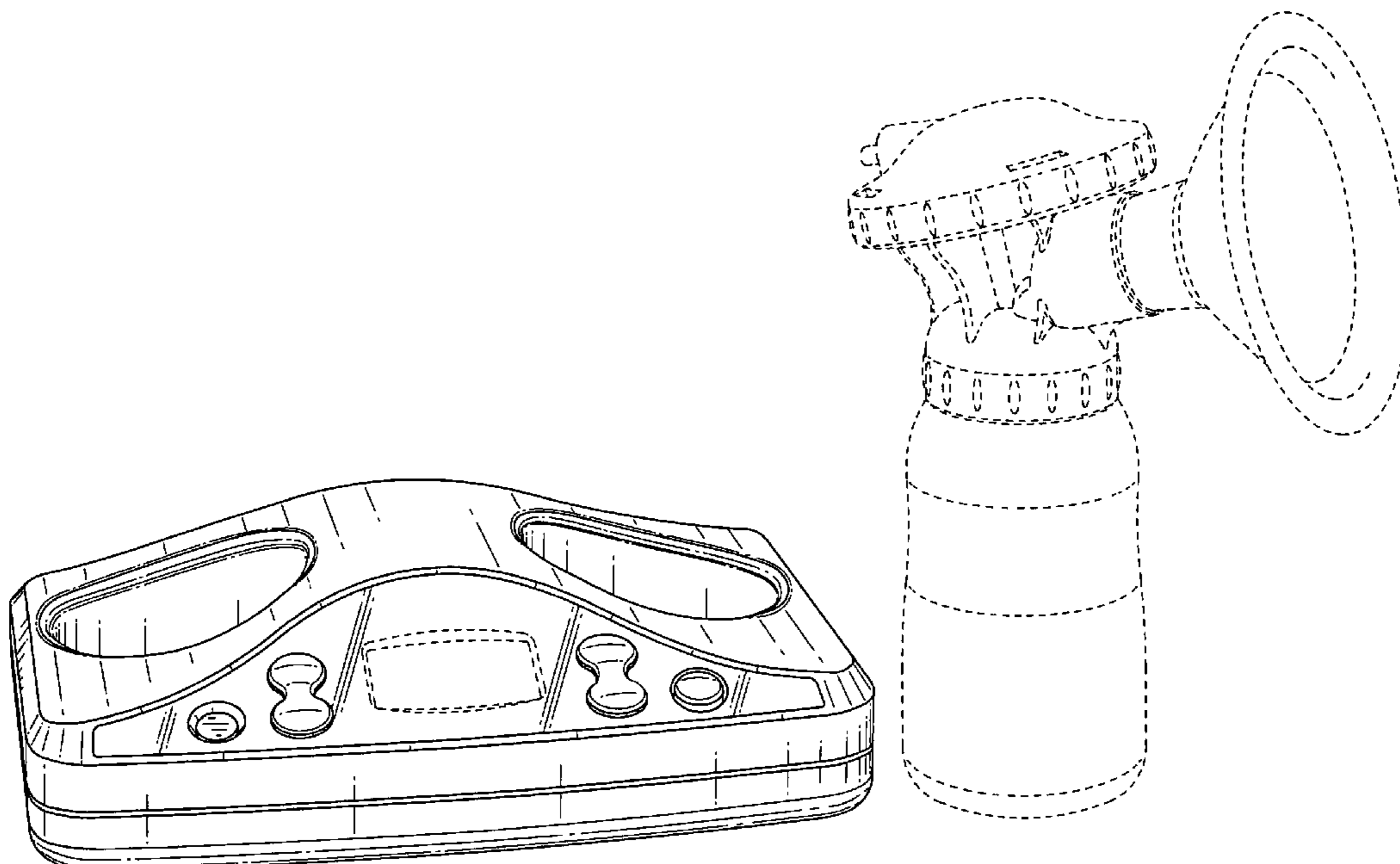
FIG. 5 is a left side elevation of the breast pump base unit of FIG. 1; and,

FIG. 6 is a top plan view of the breast pump base unit of FIG. 1.

Preferably, base unit appears in Pantone 2705 or equivalent.

The broken lines are for environmental purposes only and form no part of the claimed design.

**1 Claim, 6 Drawing Sheets**



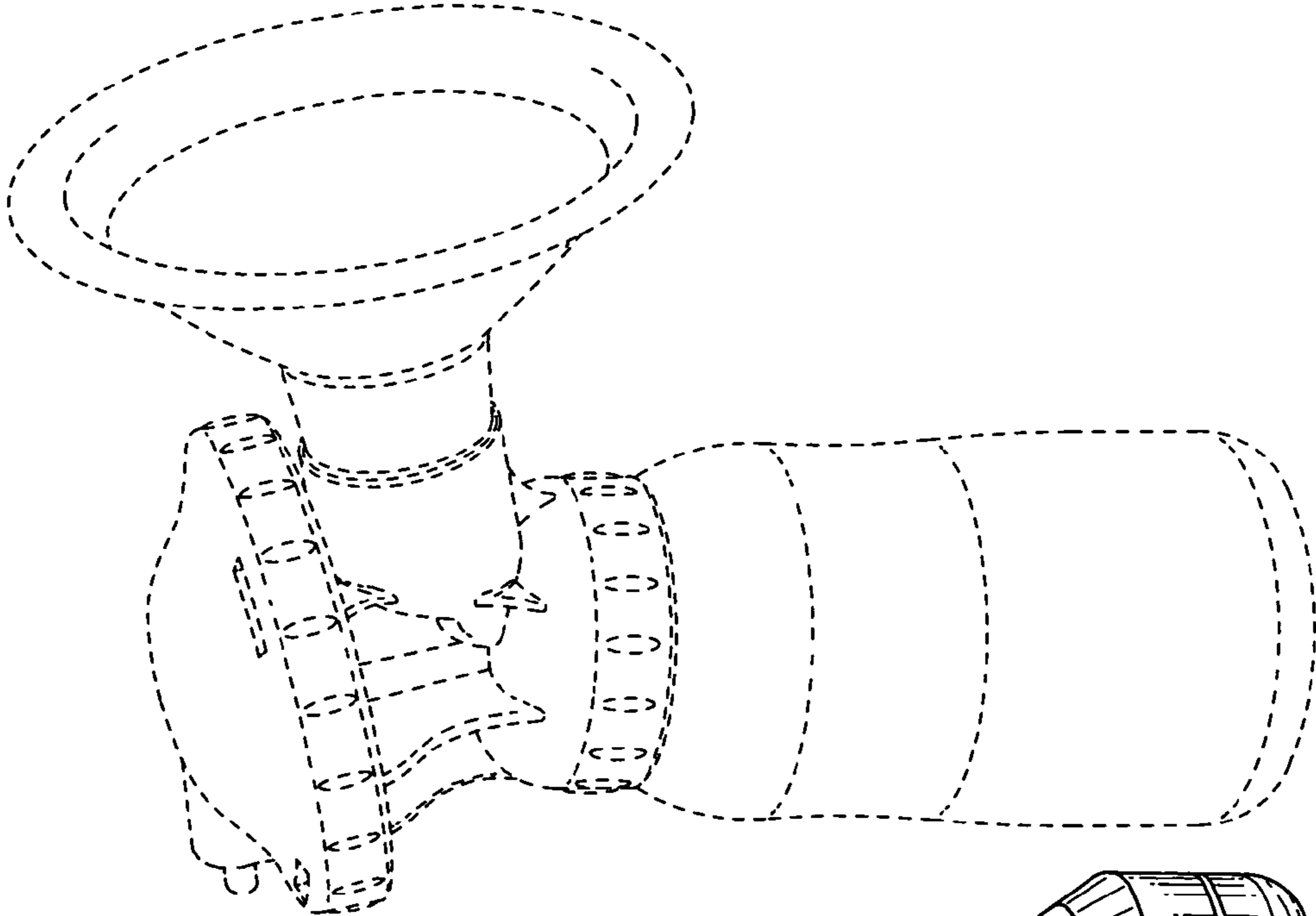
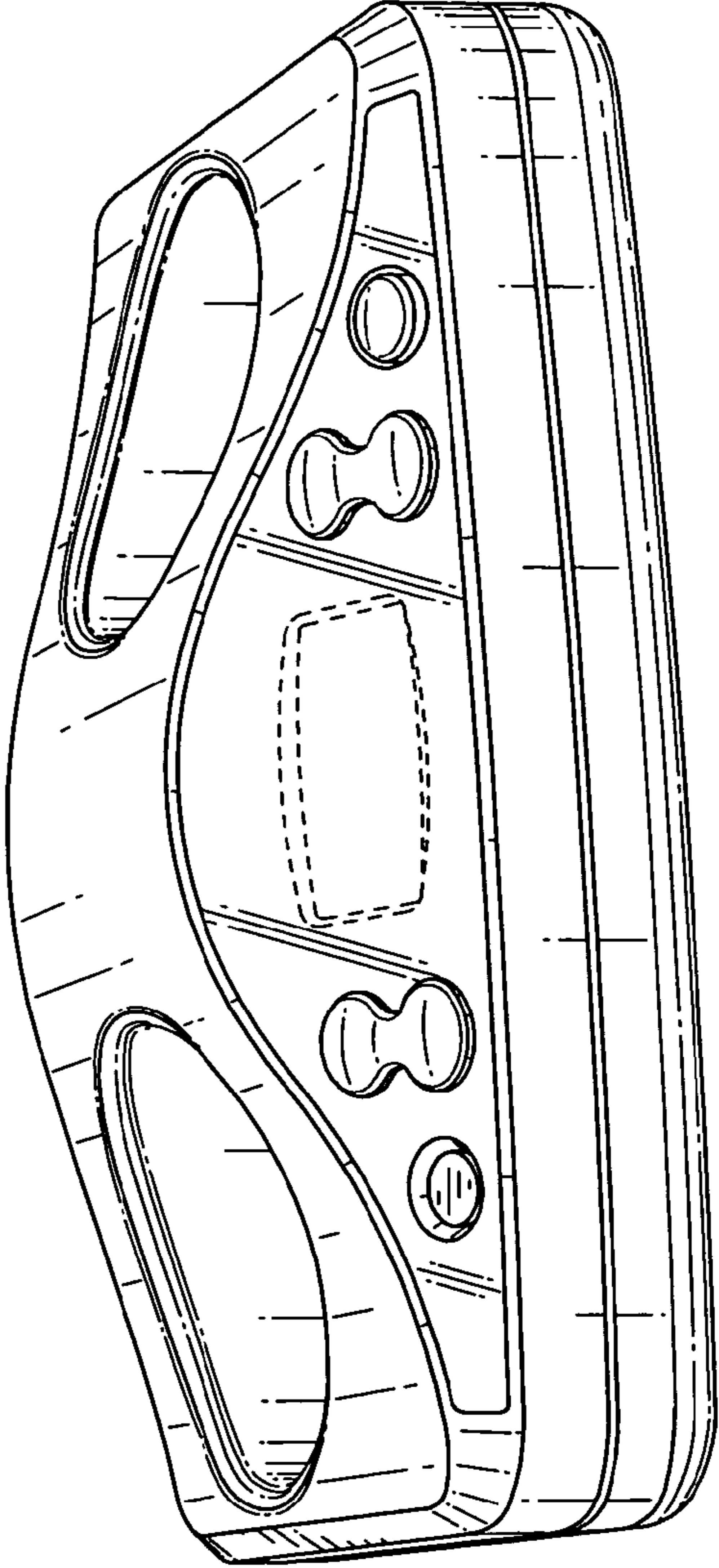


FIG. 1



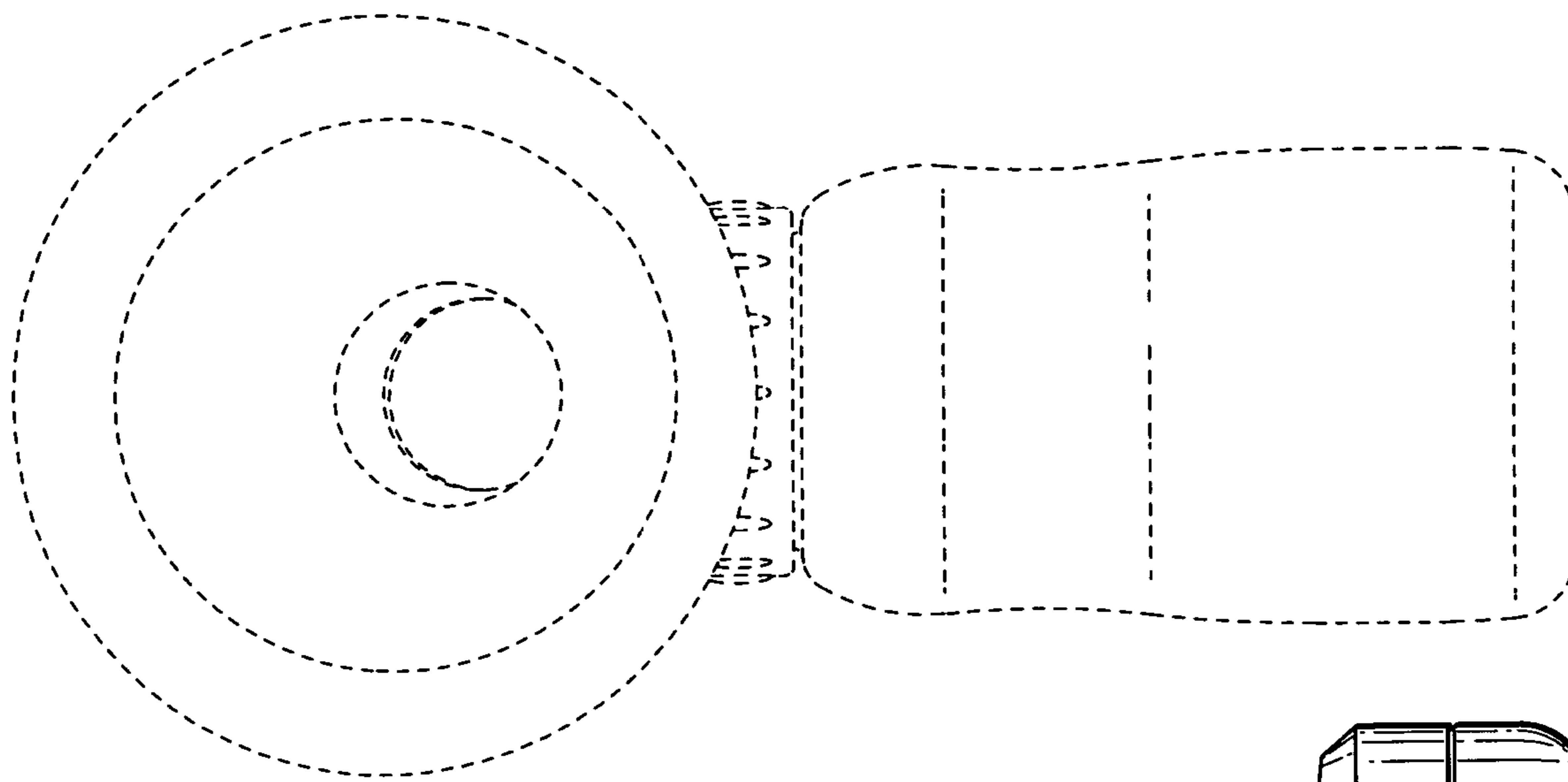
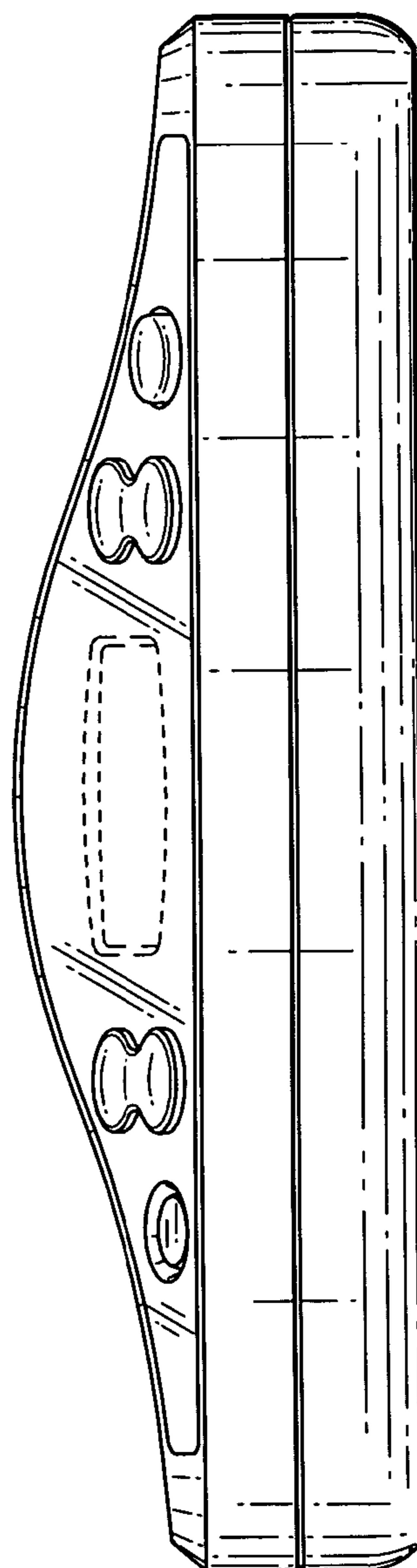


FIG. 2



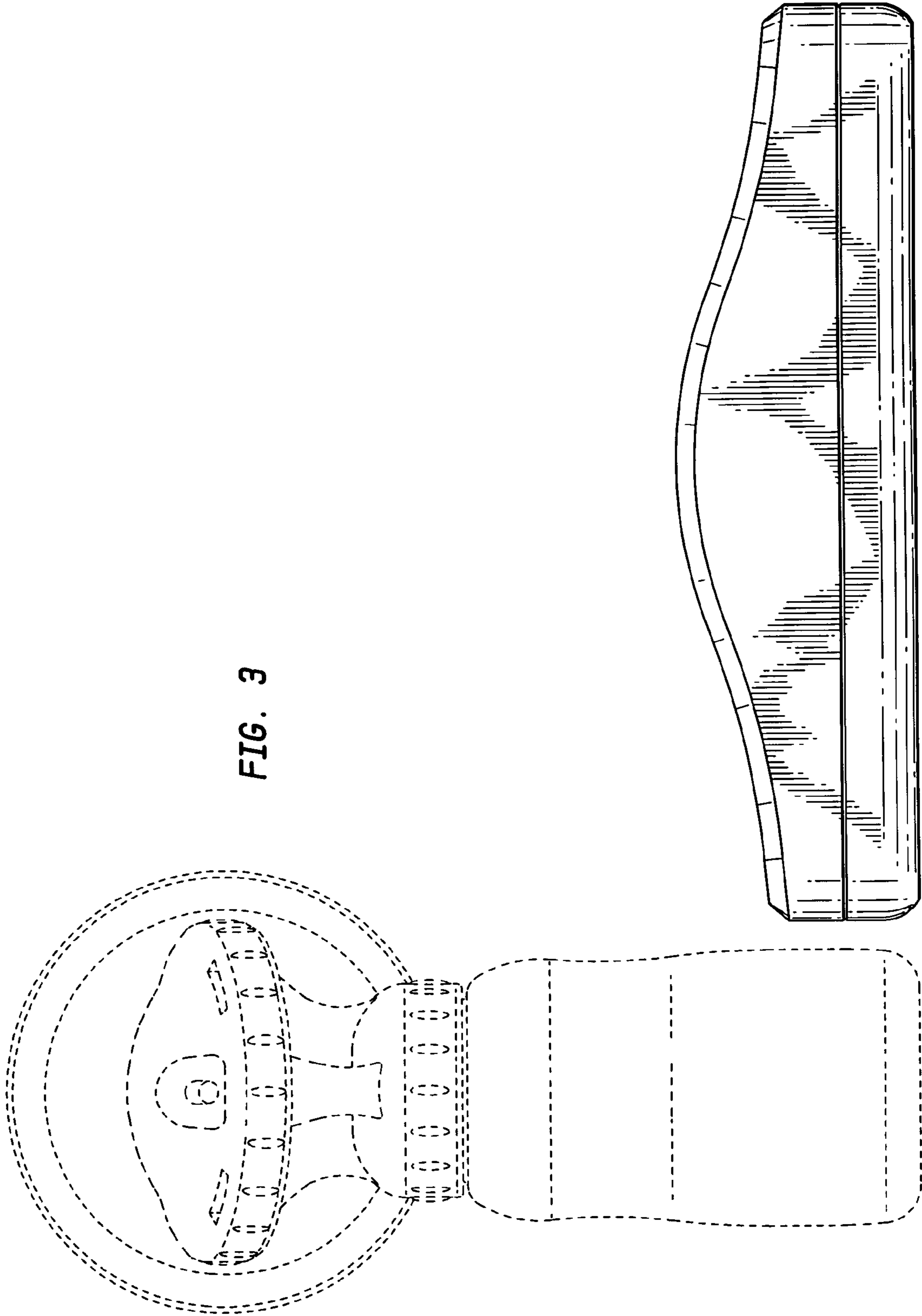


FIG. 3

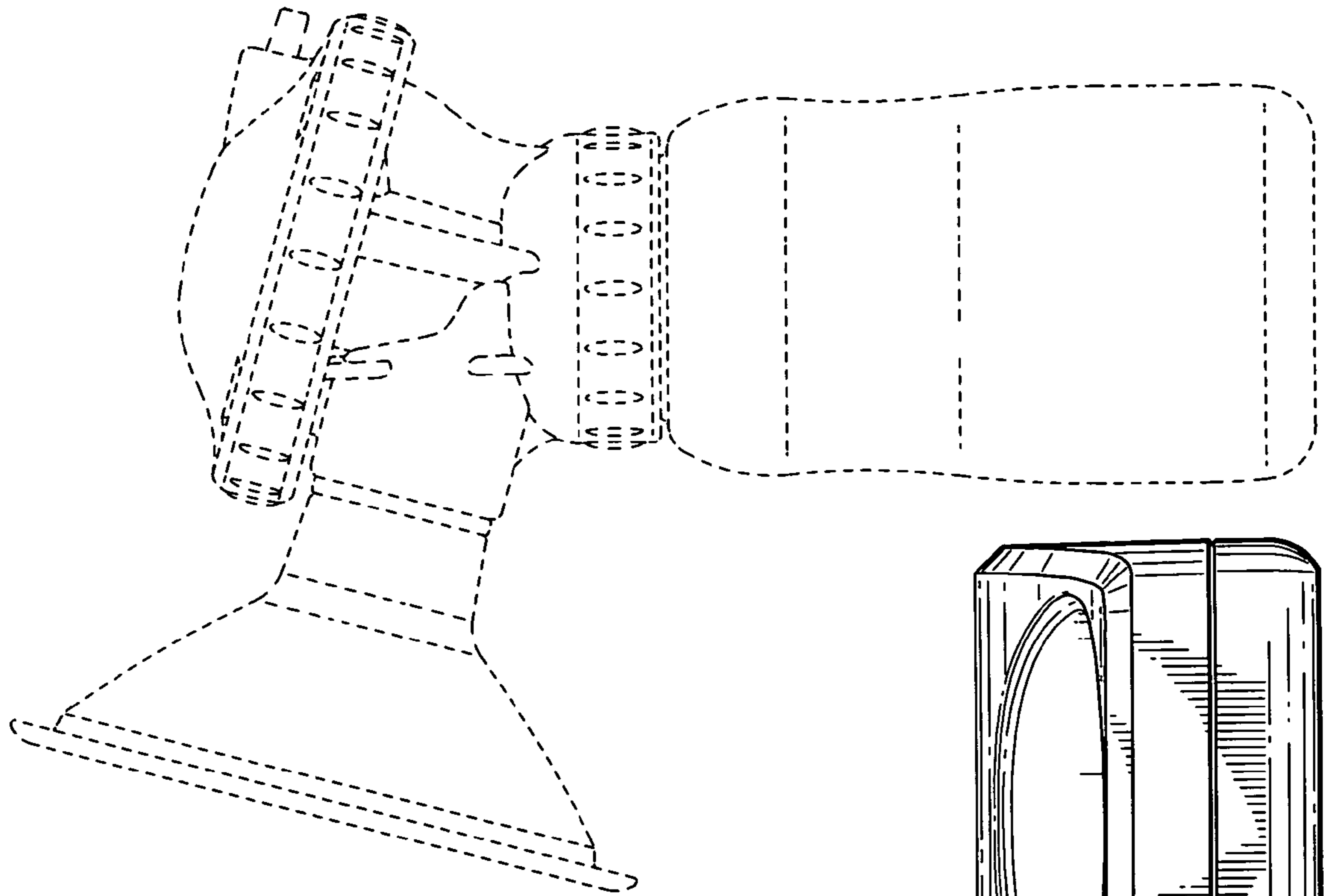


FIG. 4

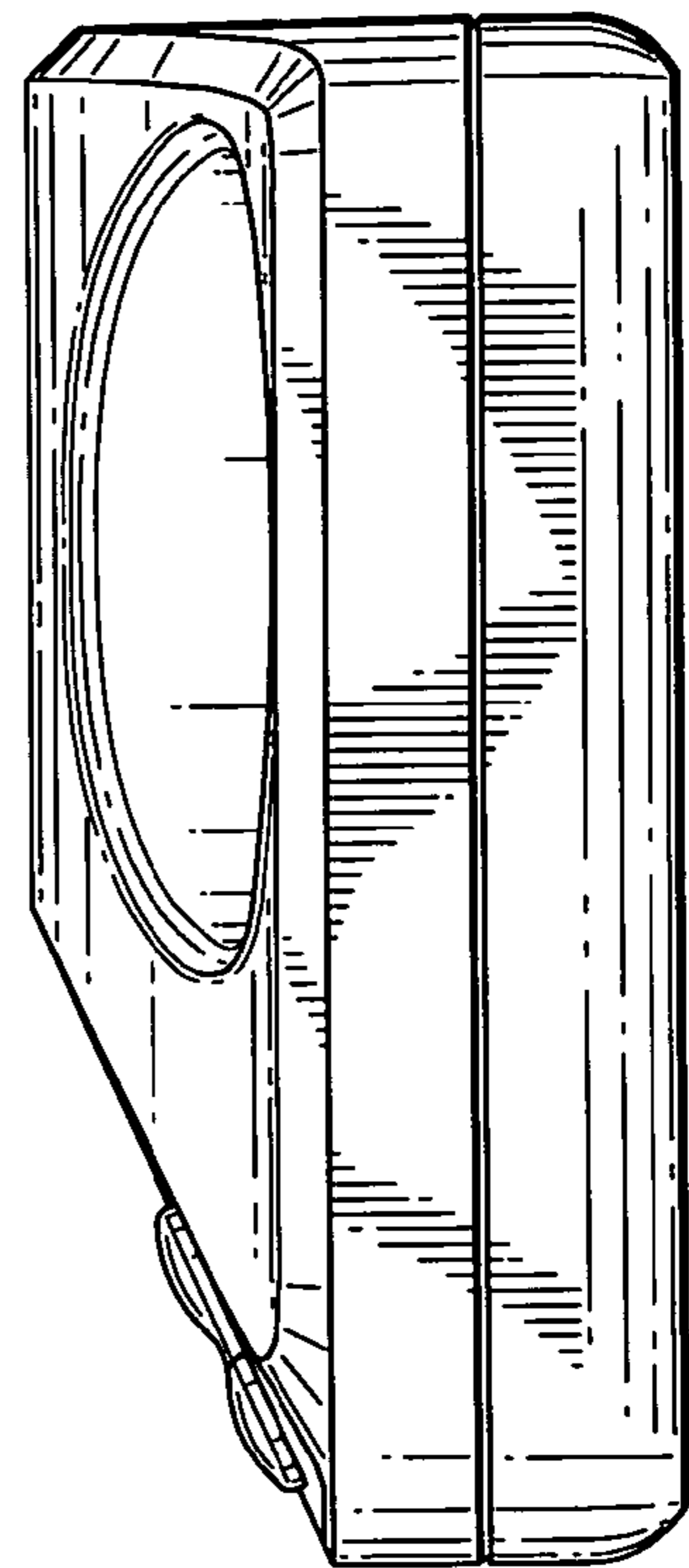
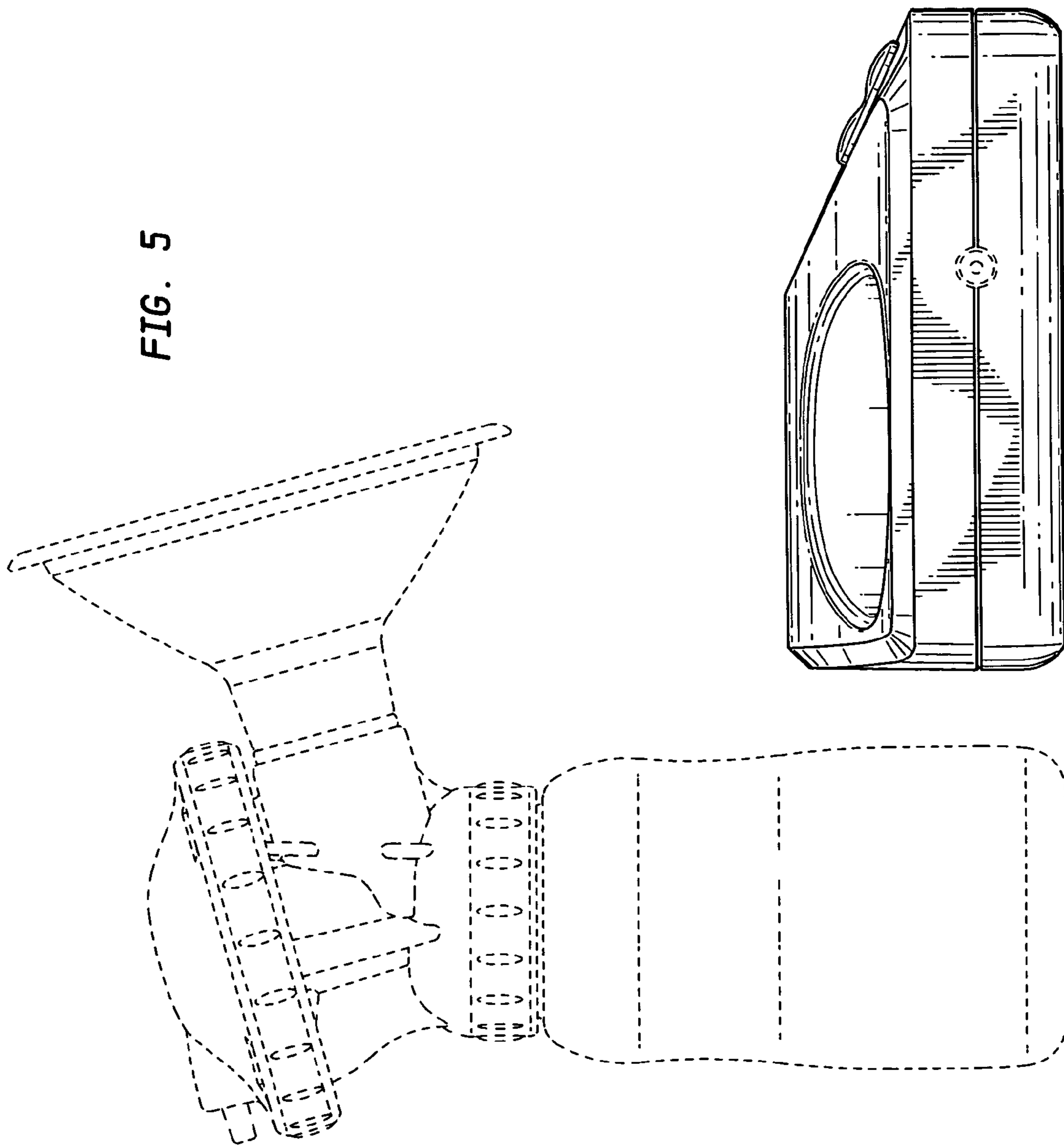


FIG. 5



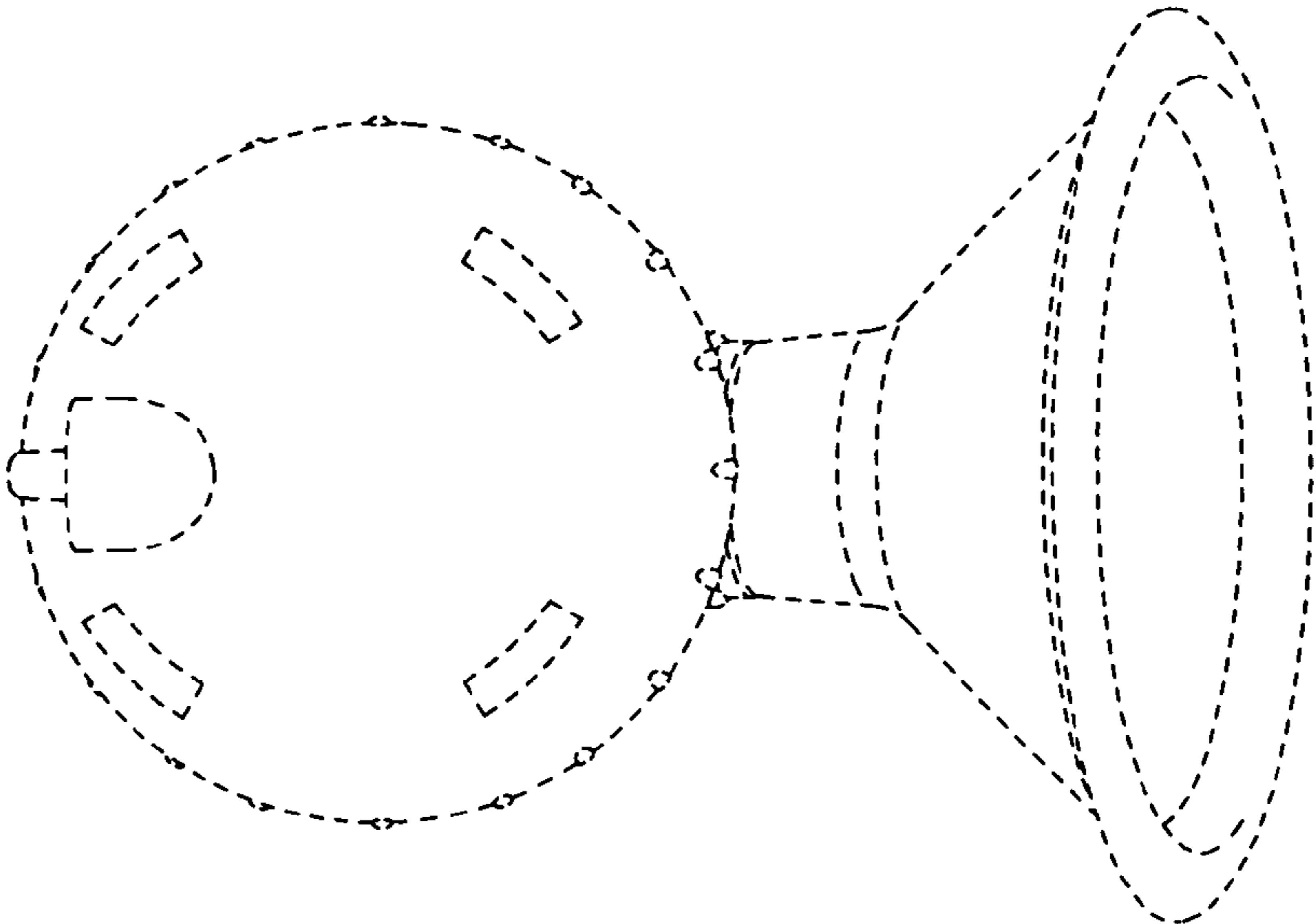


FIG. 6

