



US00D609324S

(12) **United States Design Patent**
Lee

(10) **Patent No.:** **US D609,324 S**
(45) **Date of Patent:** **** Feb. 2, 2010**

(54) **COMBINATION CEILING FAN AND LIGHT
FIXTURE**

6,913,443 B2 * 7/2005 Chen 416/99
D526,712 S * 8/2006 Hidalgo et al. D23/377
D599,462 S * 9/2009 Roo et al. D23/377

(76) Inventor: **Ching-Tan Lee**, No. 52, Lane 480, Sec.
2, Fenghsi Rd., Fengyuan, Taichung
Hsien (TW)

* cited by examiner

Primary Examiner—Lisa P Lichtenstein
(74) *Attorney, Agent, or Firm*—Rosenberg, Klein & Lee

(**) Term: **14 Years**

(21) Appl. No.: **29/311,701**

(57) **CLAIM**

(22) Filed: **May 28, 2009**

The ornamental design for a combination ceiling fan and light
fixture, as shown and described.

(30) **Foreign Application Priority Data**

DESCRIPTION

Dec. 26, 2008 (TW) 97307325

FIG. 1 is a perspective view from below of a combination
ceiling fan and light fixture in accordance with my design;

(51) **LOC (9) Cl.** **23-04**

(52) **U.S. Cl.** **D23/377**

FIG. 2 is a front elevational view thereof;

(58) **Field of Classification Search** D23/377,
D23/379, 385, 411, 413; 416/5; D26/59,
D26/72, 81-86, 88, 51

FIG. 3 is a rear elevational view thereof;

See application file for complete search history.

FIG. 4 is a left elevational view thereof;

FIG. 5 is a right elevational view thereof;

(56) **References Cited**

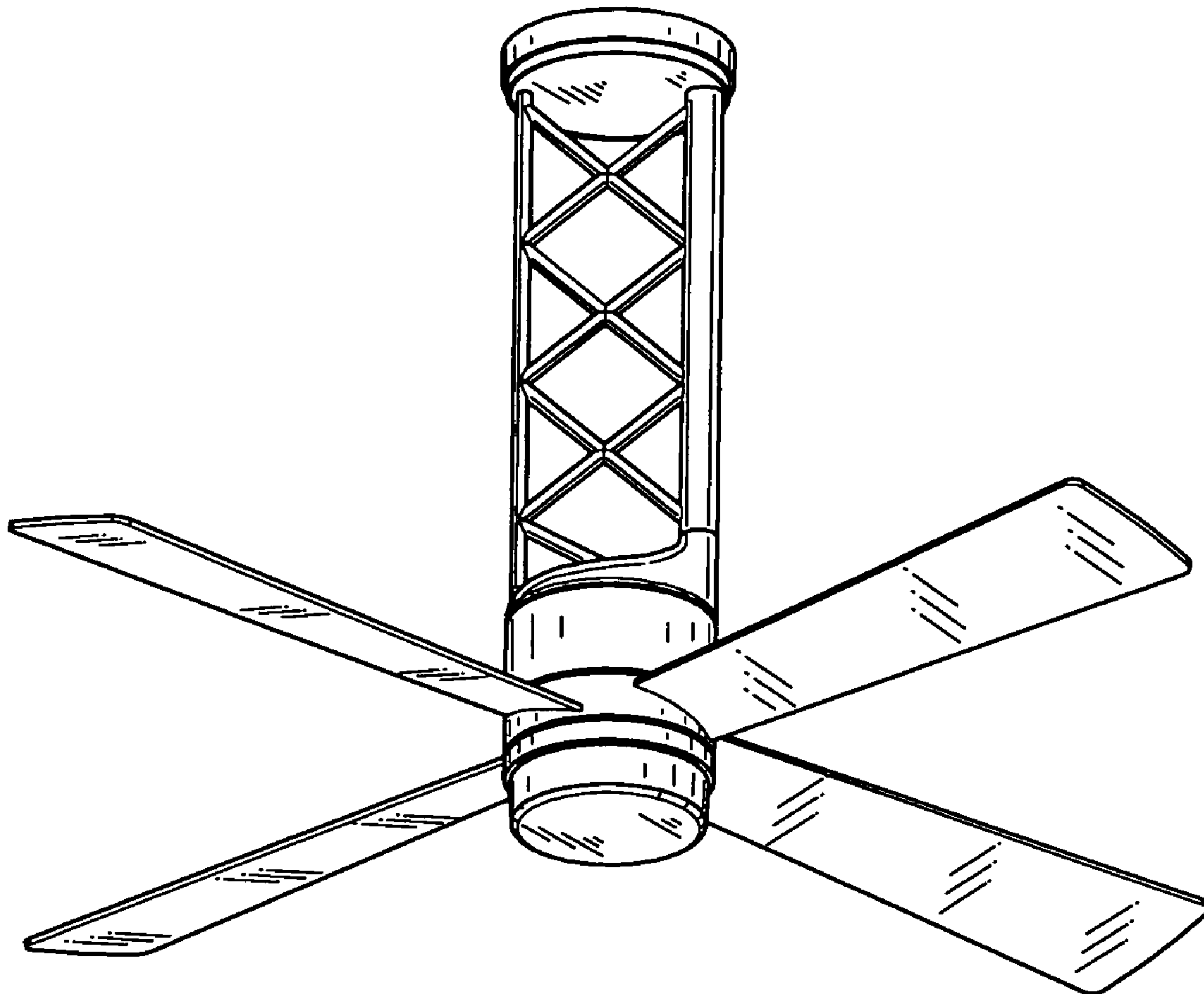
FIG. 6 is a top plan view thereof; and,

FIG. 7 is a bottom plan view thereof.

U.S. PATENT DOCUMENTS

D456,073 S * 4/2002 Frampton D23/413

1 Claim, 7 Drawing Sheets



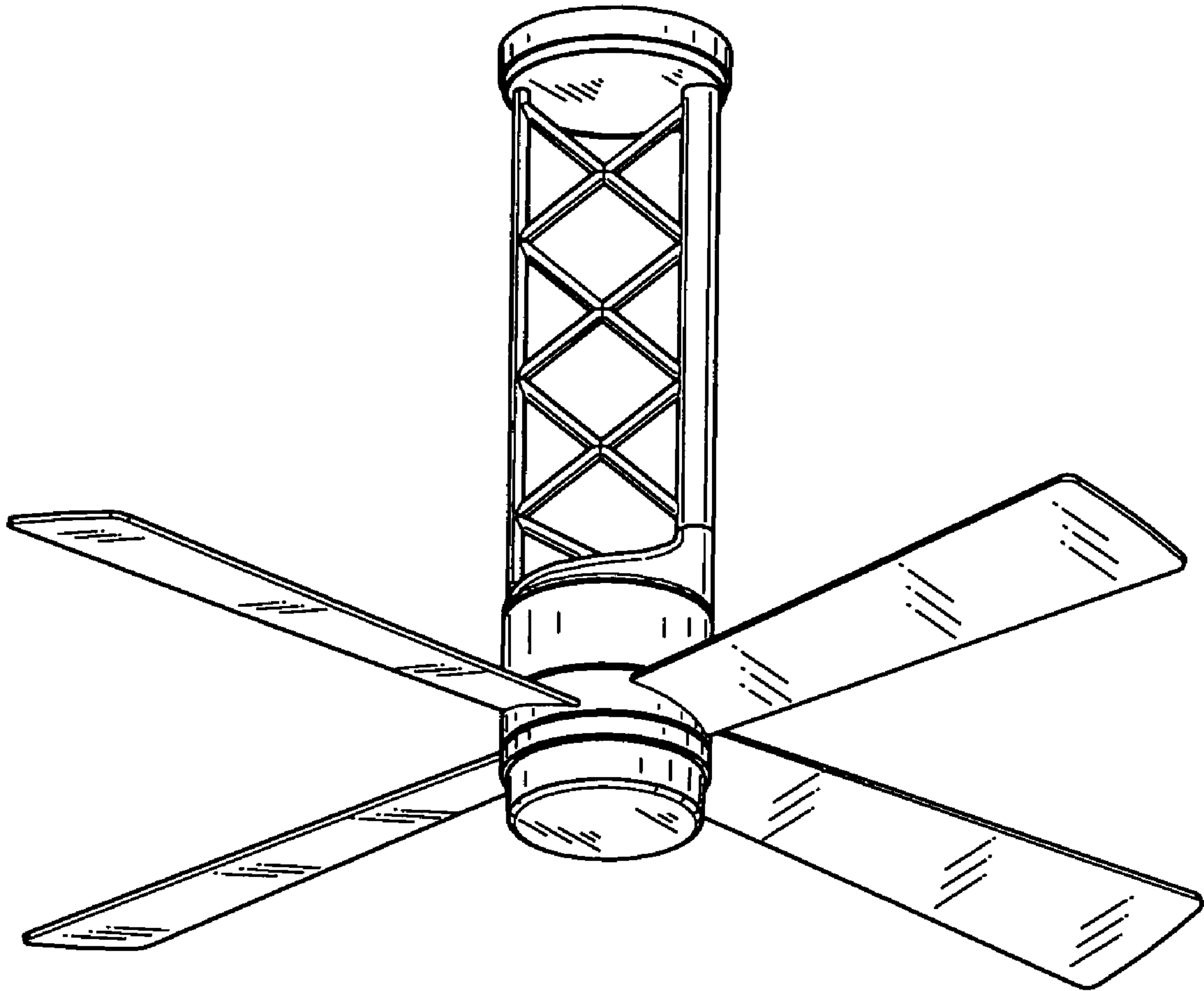


FIG. 1

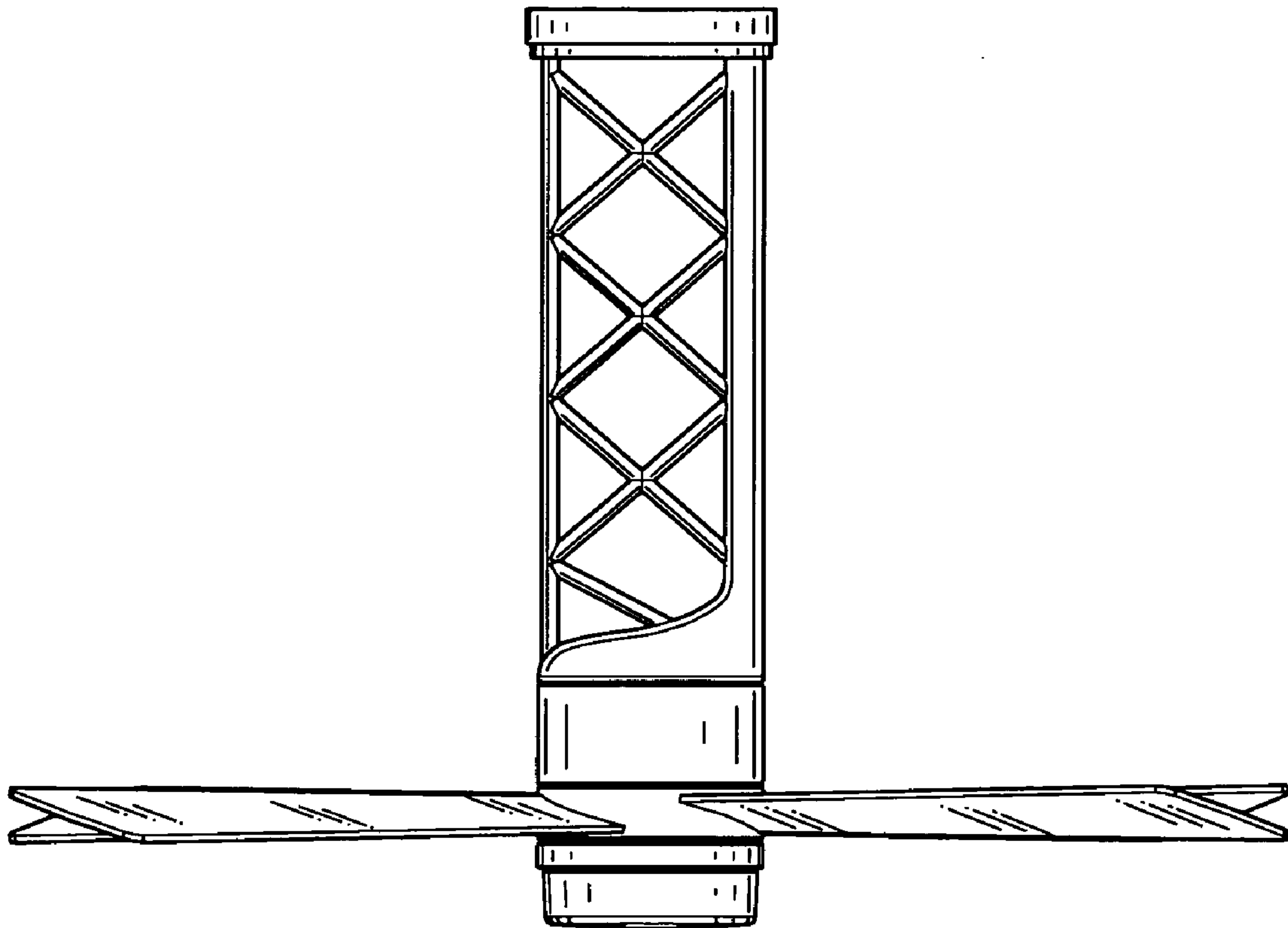


FIG. 2

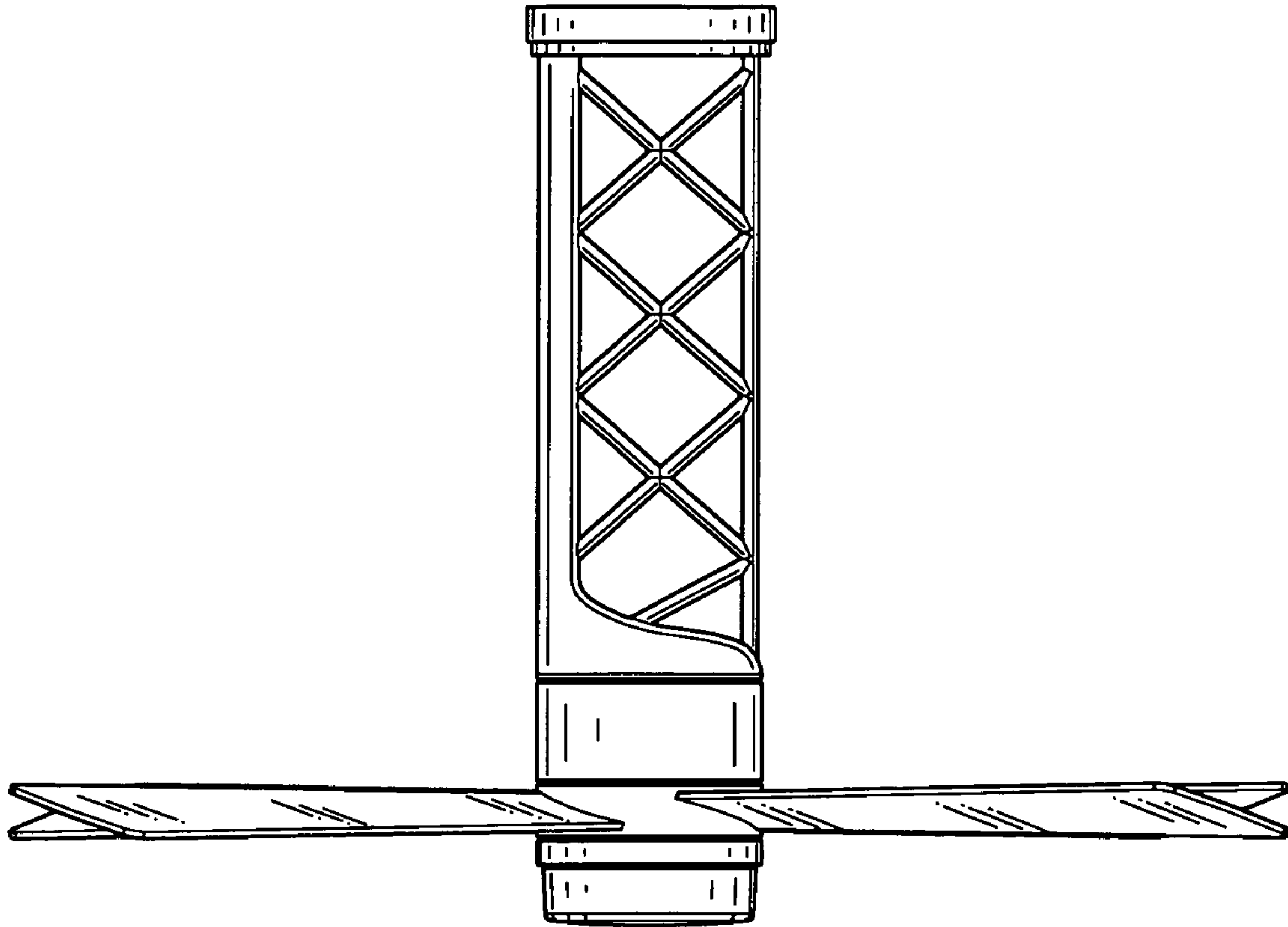


FIG. 3

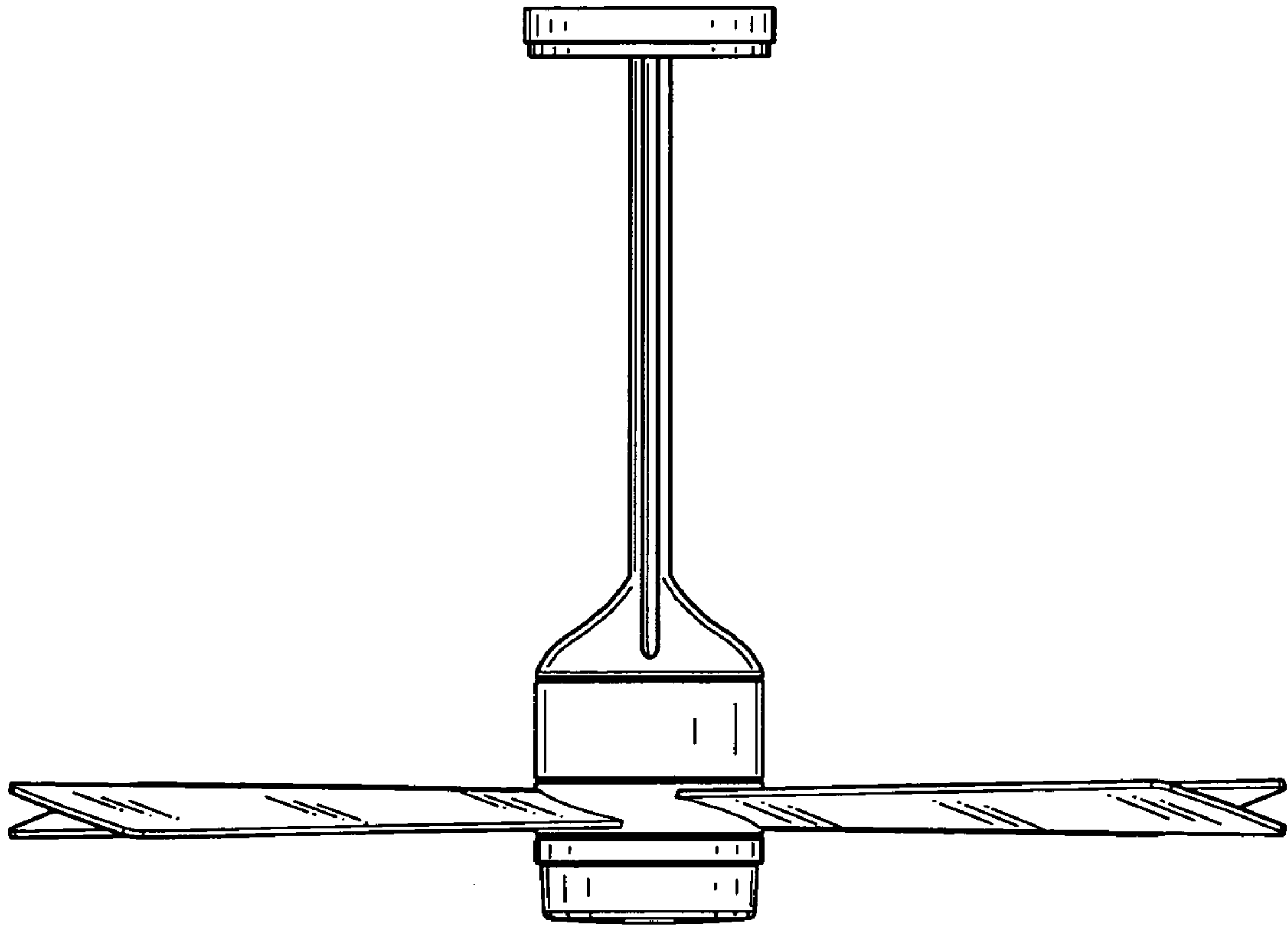


FIG. 4

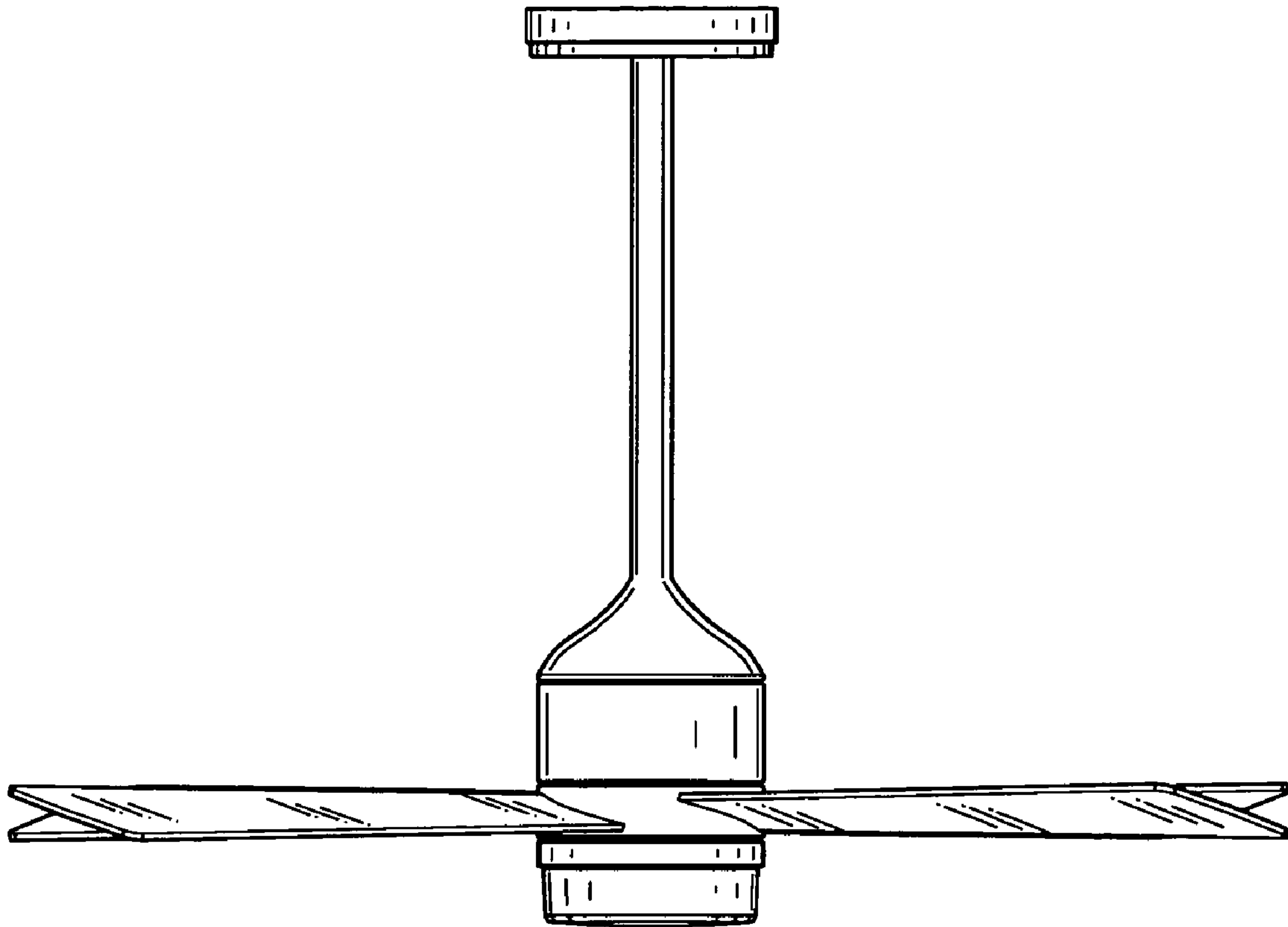


FIG. 5

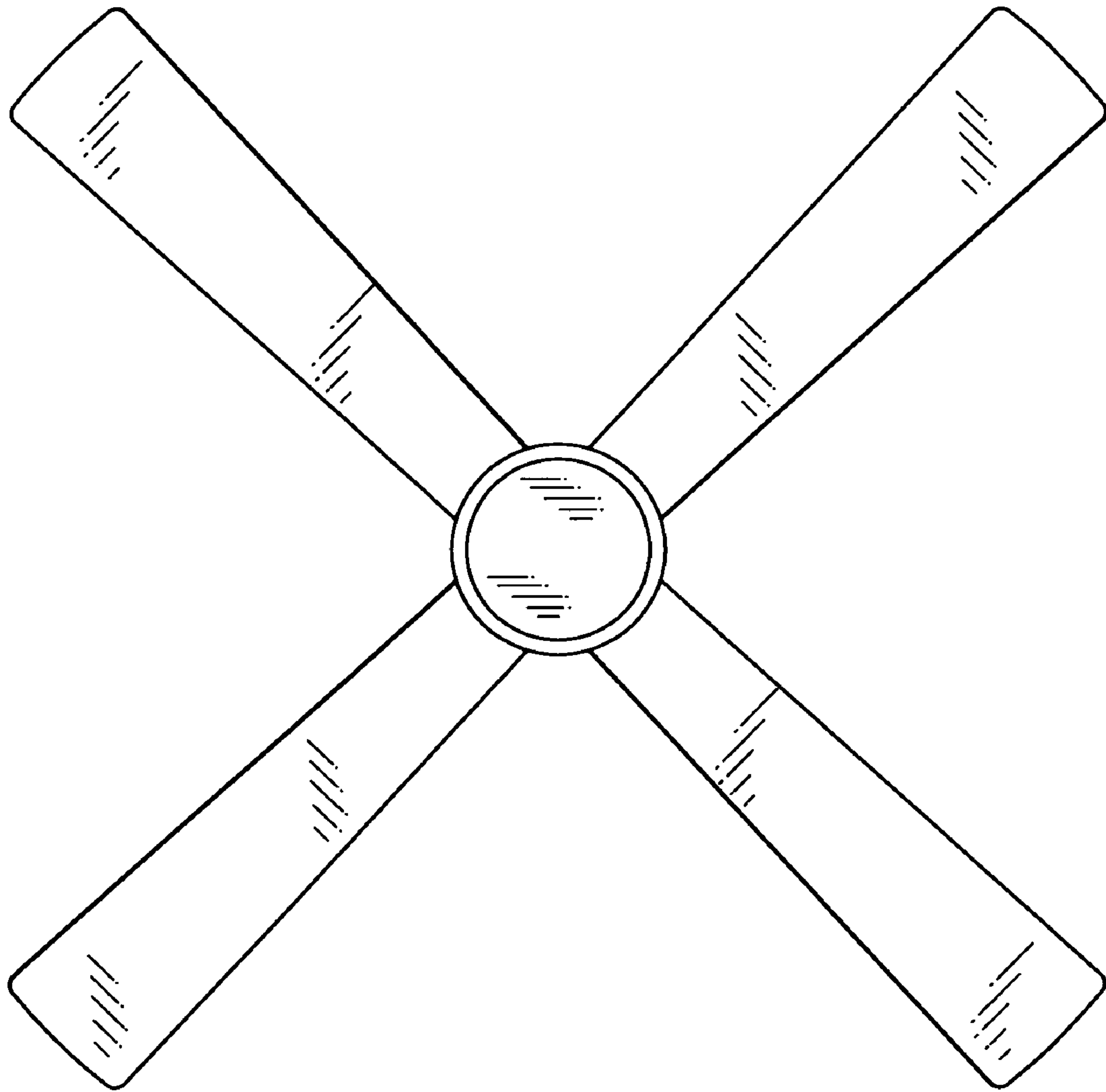


FIG. 6

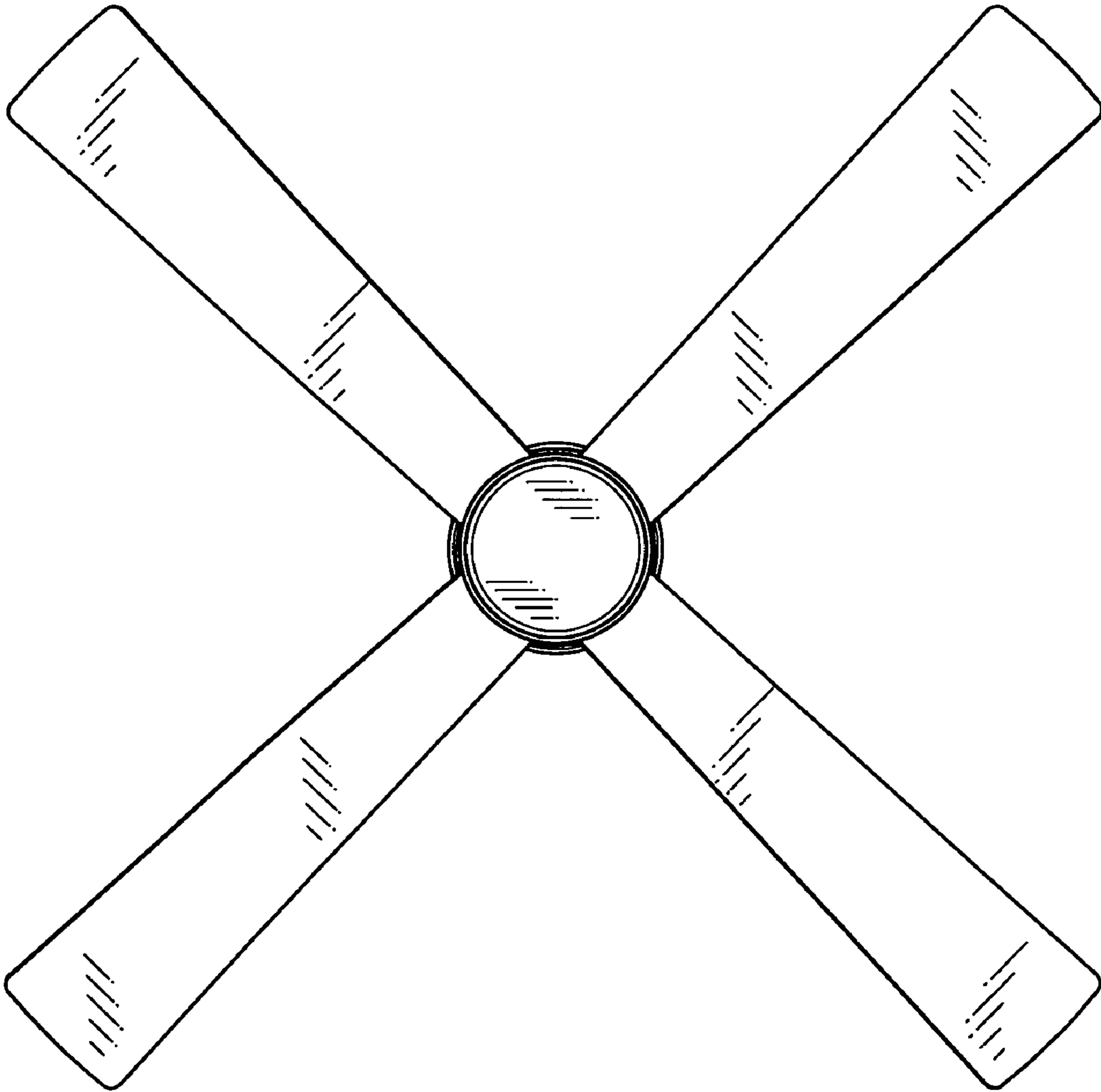


FIG. 7