



US00D609323S

(12) **United States Design Patent**
Spaggiari

(10) **Patent No.:** **US D609,323 S**

(45) **Date of Patent:** **** Feb. 2, 2010**

(54) **ELECTRIC FAN**

D266,786 S * 11/1982 Schmidt D23/370
D404,122 S * 1/1999 Hayashi et al. D23/370
D483,106 S * 12/2003 Harris et al. D23/378

(75) Inventor: **Alessandro Spaggiari**, Correggio (IT)

* cited by examiner

(73) Assignee: **Spal Automotive S.R.L.**, Correggio (IT)

Primary Examiner—Lisa P Lichtenstein

(**) Term: **14 Years**

(74) *Attorney, Agent, or Firm*—Pearne & Gordon LLP

(21) Appl. No.: **29/338,760**

(57) **CLAIM**

(22) Filed: **Jun. 18, 2009**

The ornamental design for an electric fan, as shown and described.

(30) **Foreign Application Priority Data**

Dec. 22, 2008 (EM) 001061337-0001

DESCRIPTION

(51) **LOC (9) Cl.** **23-04**

FIG. 1 is a perspective front view,

(52) **U.S. Cl.** **D23/370**

FIG. 2 is a perspective rear view,

(58) **Field of Classification Search** D23/370,

FIG. 3 a front view,

D23/371, 385; 454/354, 349; 416/247 R

FIG. 4 a side view,

See application file for complete search history.

FIG. 5 a rear view,

(56) **References Cited**

FIG. 6 a top view; and,

U.S. PATENT DOCUMENTS

FIG. 7 is a bottom view.

D133,291 S * 8/1942 Powers D23/370

1 Claim, 6 Drawing Sheets

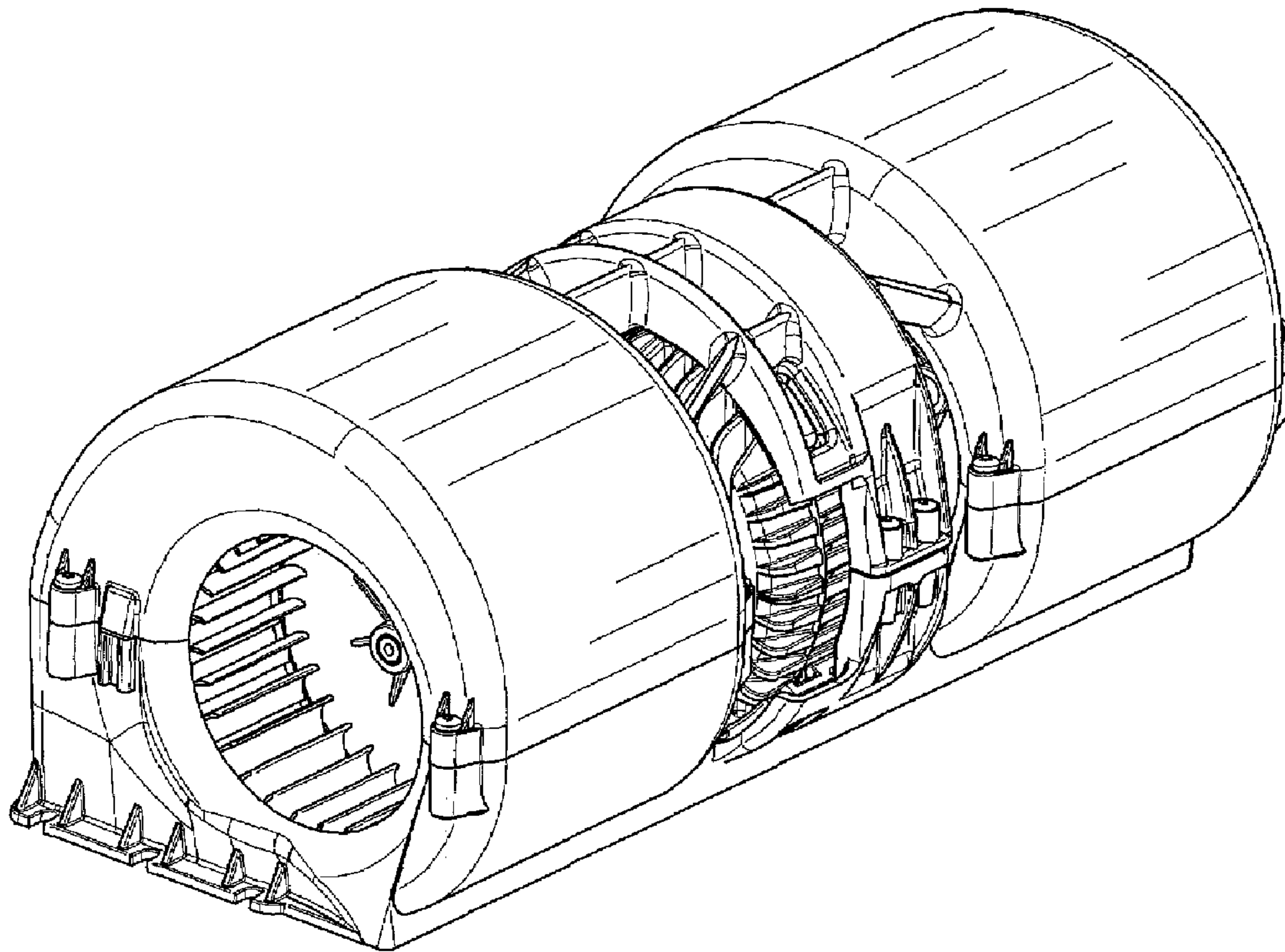


FIG.1

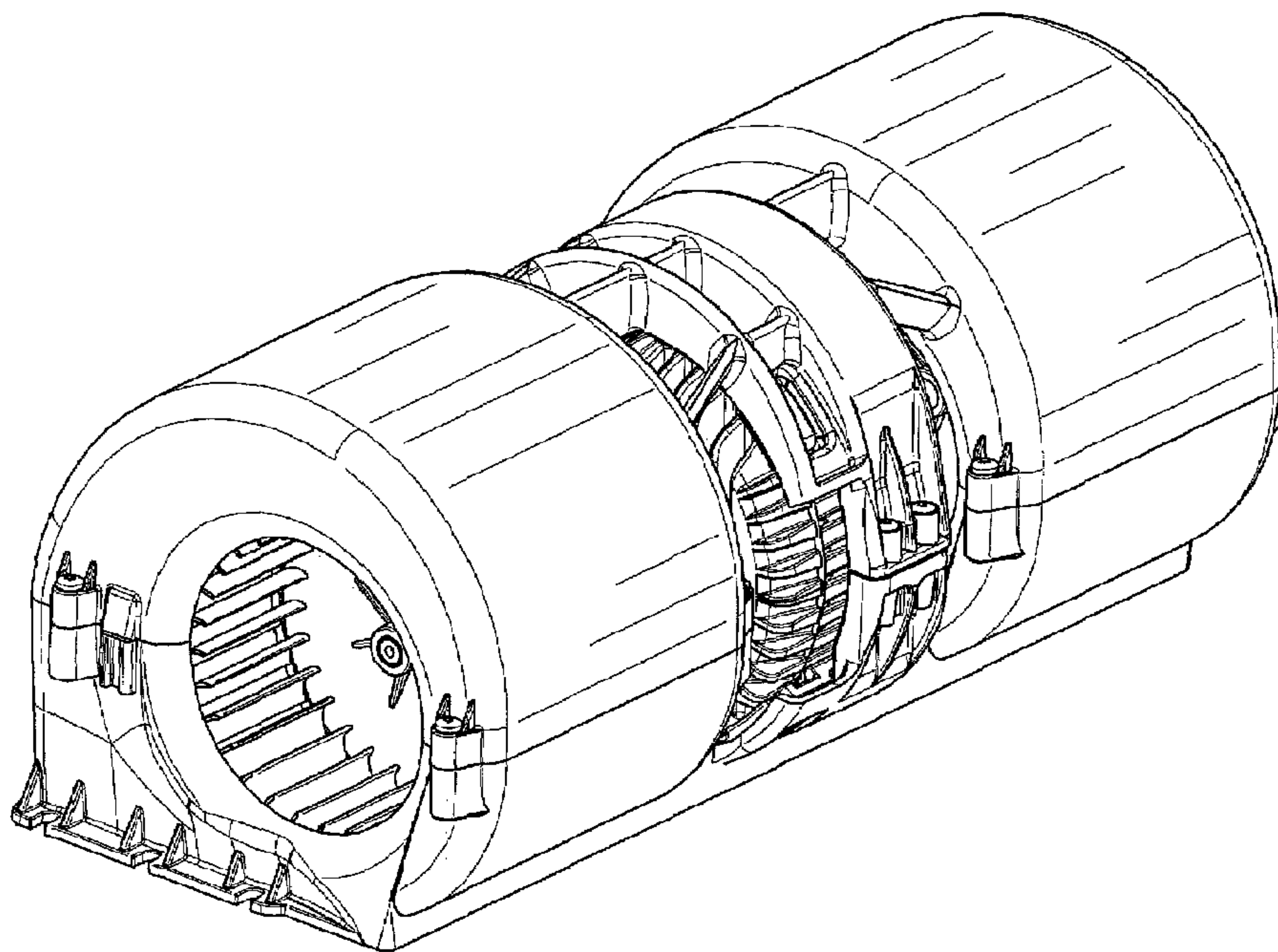


FIG.2

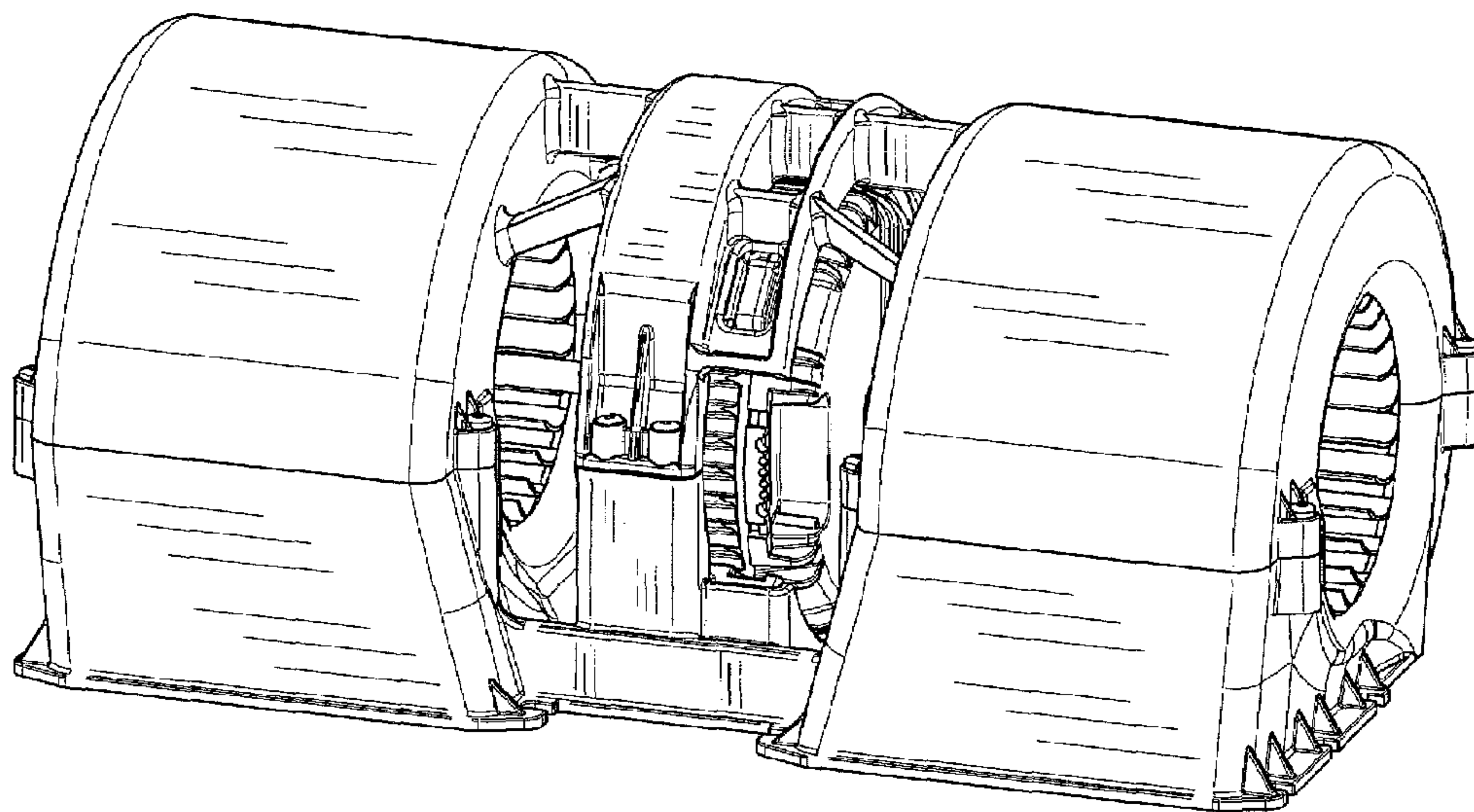


FIG.3

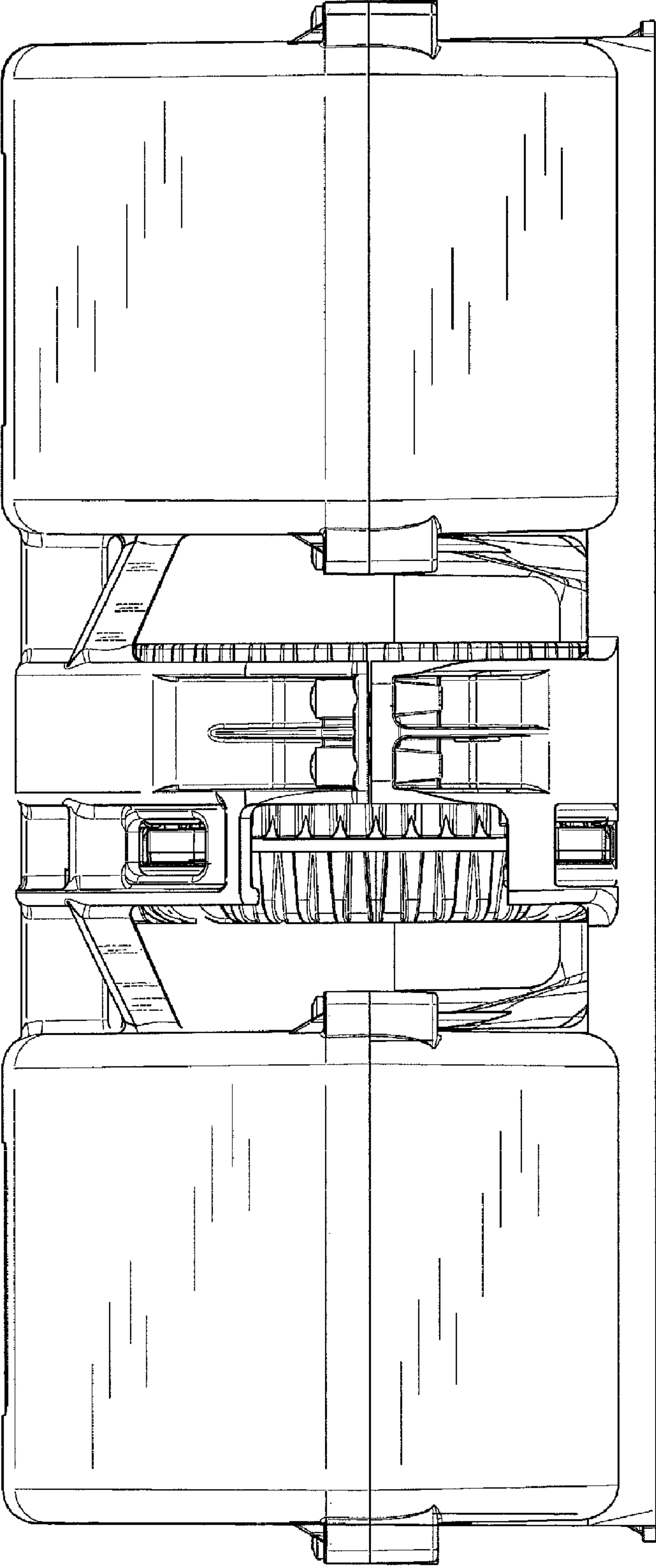


FIG.4

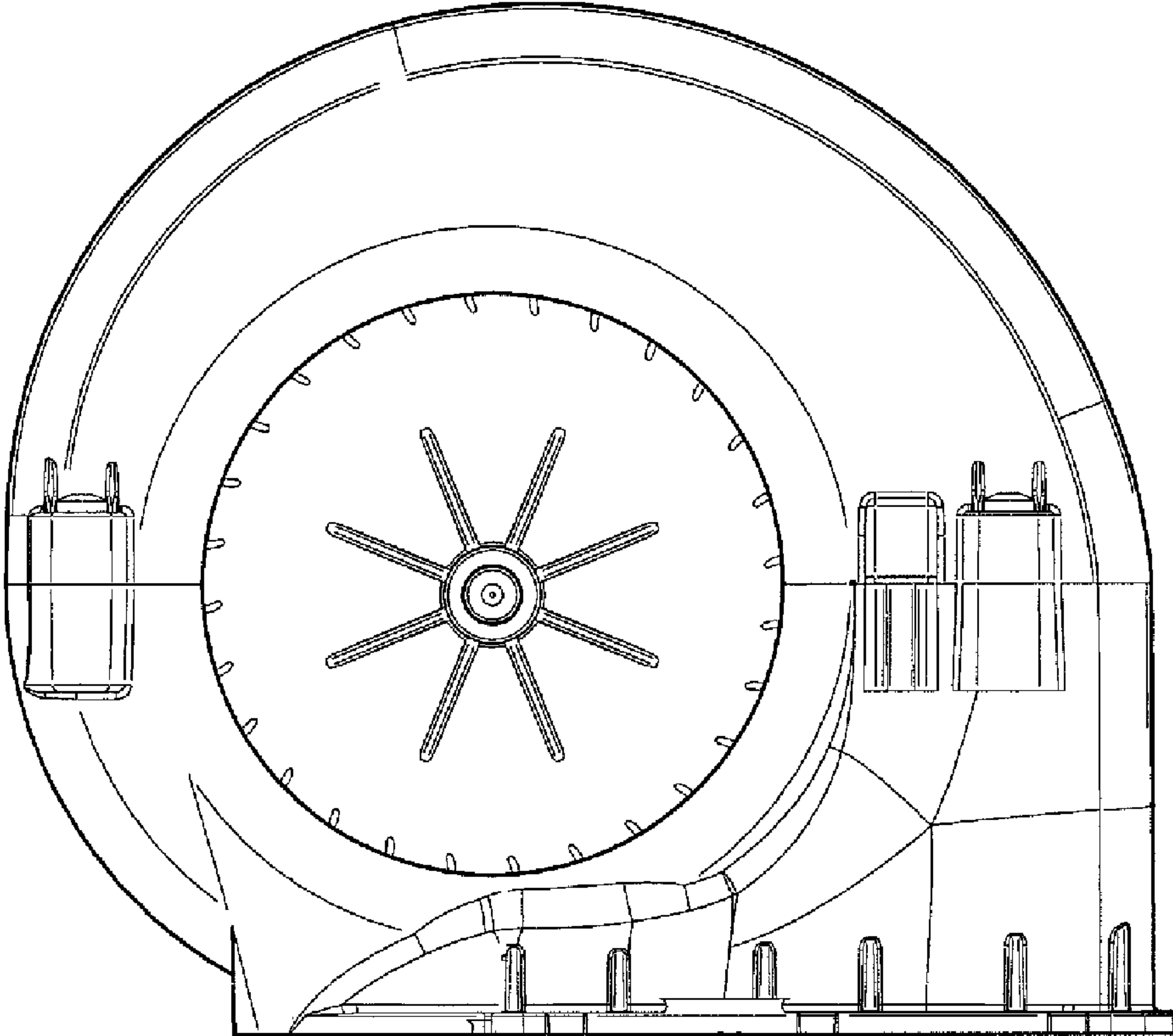
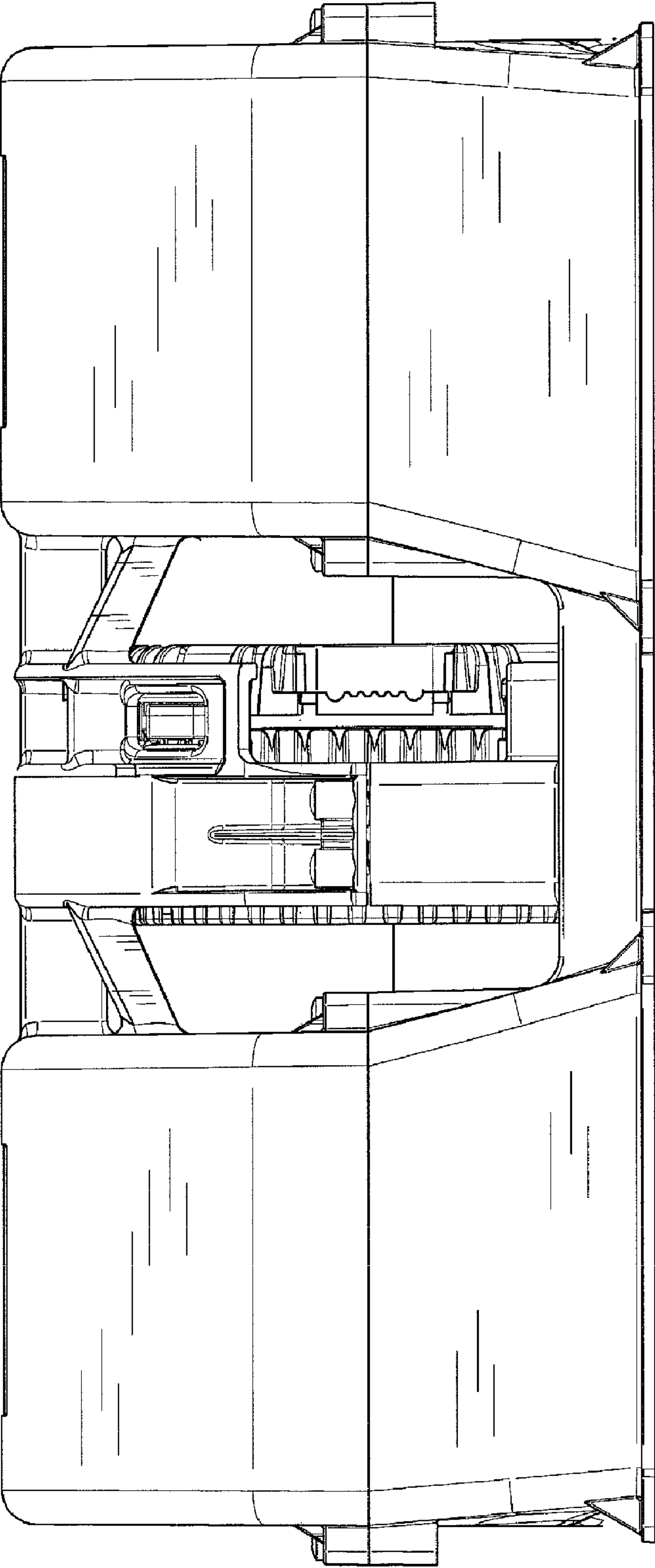


FIG.5



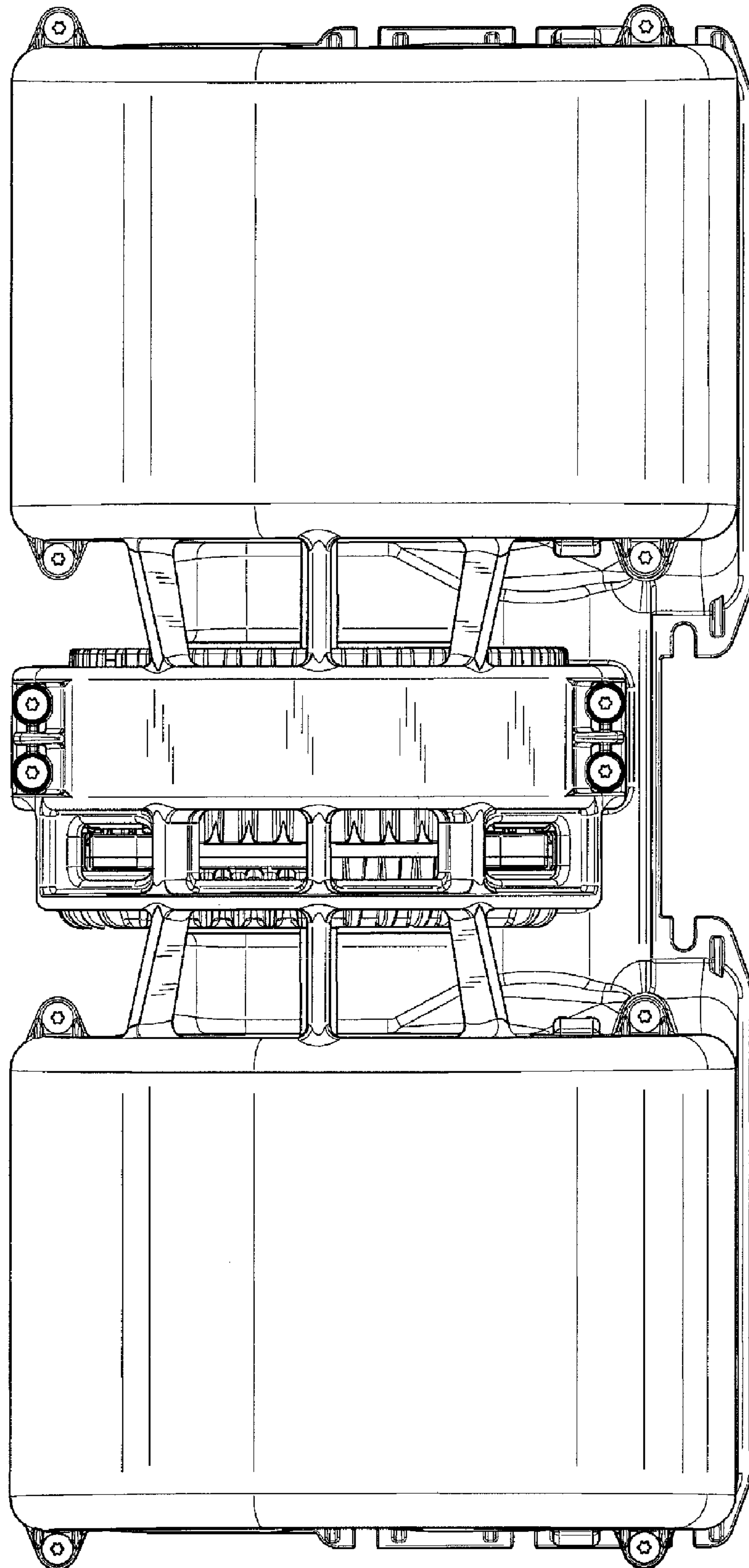


FIG.6

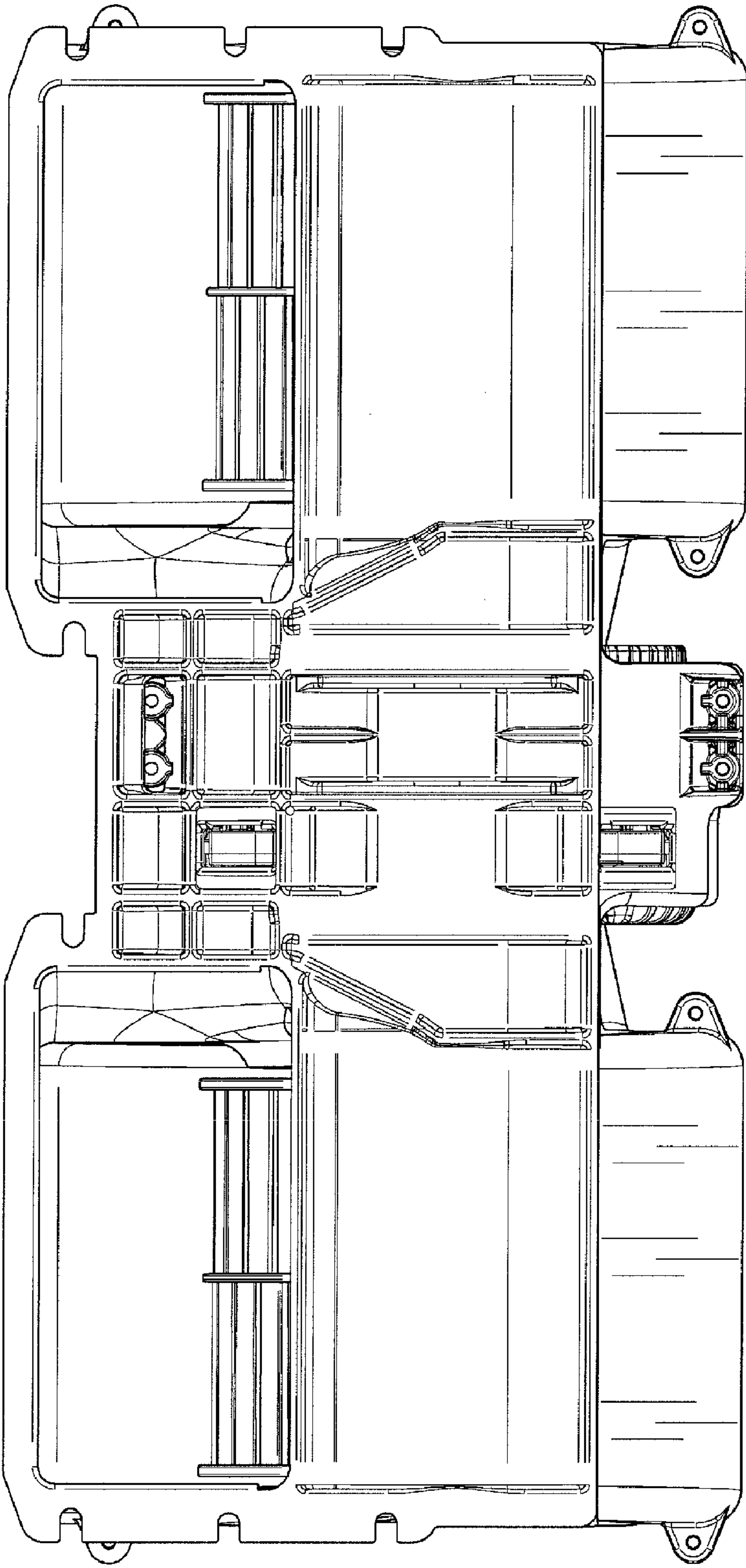


FIG.7