



US00D609322S

(12) **United States Design Patent**
Schwartz et al.

(10) **Patent No.:** **US D609,322 S**

(45) **Date of Patent:** **** Feb. 2, 2010**

(54) **AIR FRESHENER CASE**

(75) Inventors: **Keara Elyse Schwartz**, Cincinnati, OH (US); **Ada Ho Yau Ko**, Cincinnati, OH (US); **Robert Allen Godfroid**, Cincinnati, OH (US); **John William Koenig**, Cincinnati, OH (US); **Michael Thomas Roller**, Covington, KY (US)

(73) Assignee: **The Procter & Gamble Company**, Hamilton, OH (US)

(**) Term: **14 Years**

(21) Appl. No.: **29/335,455**

(22) Filed: **Apr. 16, 2009**

Related U.S. Application Data

(63) Continuation-in-part of application No. 29/328,119, filed on Nov. 19, 2008, now Pat. No. Des. 596,281.

(51) **LOC (9) Cl.** **28-99**

(52) **U.S. Cl.** **D23/366**

(58) **Field of Classification Search** D23/355-369;
D28/5, 6; 261/DIG. 17, DIG. 42, DIG. 65,
261/DIG. 88, DIG. 89; 392/386, 390, 391,
392/392, 394, 395; 239/34, 35, 43-45, 53,
239/56, 57, 60, 326

See application file for complete search history.

(56) **References Cited**

U.S. PATENT DOCUMENTS

D395,146 S *	6/1998	Miller et al.	D23/364
D449,099 S *	10/2001	Juhlin et al.	D23/365
D484,228 S *	12/2003	Zhang et al.	D23/364
D510,422 S *	10/2005	Schriner et al.	D23/366
D522,640 S *	6/2006	Miro	D23/366
D570,980 S *	6/2008	Isono et al.	D23/366
D596,281 S *	7/2009	Schwartz et al.	D23/366

* cited by examiner

Primary Examiner—Sandra Snapp

(74) *Attorney, Agent, or Firm*—Amy I. Ahn-Roll

(57) **CLAIM**

The ornamental design for an air freshener case, as shown and described.

DESCRIPTION

FIG. 1 is perspective view of a first embodiment of an air freshener case in a first position according to the present invention;

FIG. 2 is a front view thereof;

FIG. 3 is rear view thereof;

FIG. 4 is a left side view thereof;

FIG. 5 is a right side view thereof;

FIG. 6 is a top view thereof;

FIG. 7 is a bottom view thereof; and

FIG. 8 is a perspective view of the air freshener case of FIG. 1 in a second position;

FIG. 9 is a perspective view of a second embodiment of an air freshener case according to the present invention;

FIG. 10 is a front view thereof;

FIG. 11 is a rear view thereof;

FIG. 12 is a left side view thereof;

FIG. 13 is a right side view thereof;

FIG. 14 is a top view thereof; and

FIG. 15 is a bottom view thereof;

FIG. 16 is a perspective view of the air freshener case of FIG. 9 in a second position;

FIG. 17 is a perspective view of a third embodiment of an air freshener case according to the present invention;

FIG. 18 is a front view thereof;

FIG. 19 is a rear view thereof;

FIG. 20 is a left side view thereof;

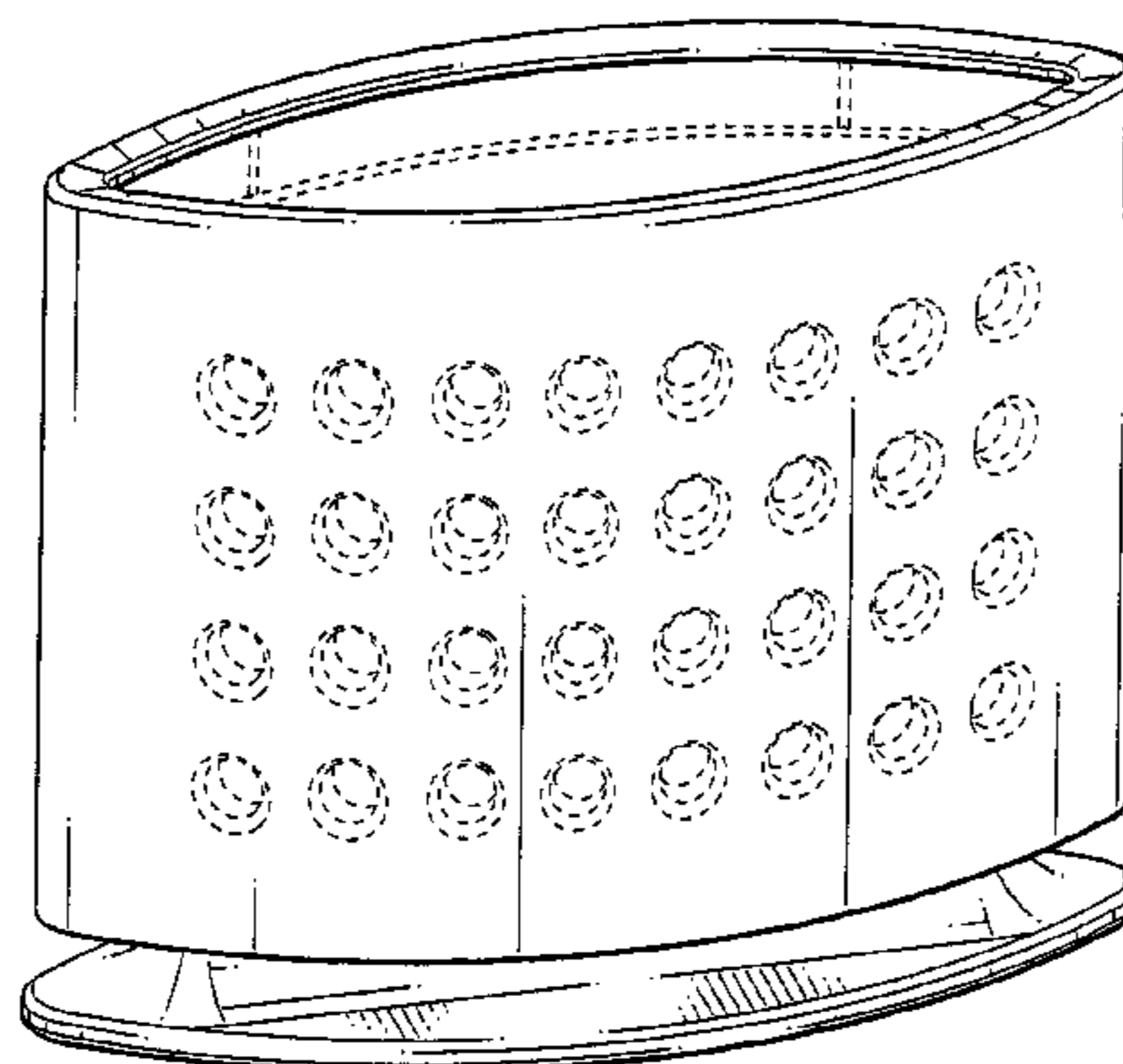
FIG. 21 is a right side view thereof;

FIG. 22 is a top view thereof; and,

FIG. 23 is a bottom view thereof.

The broken lines shown in the drawings are for illustrative purposes only and form no part of the claimed design.

1 Claim, 9 Drawing Sheets



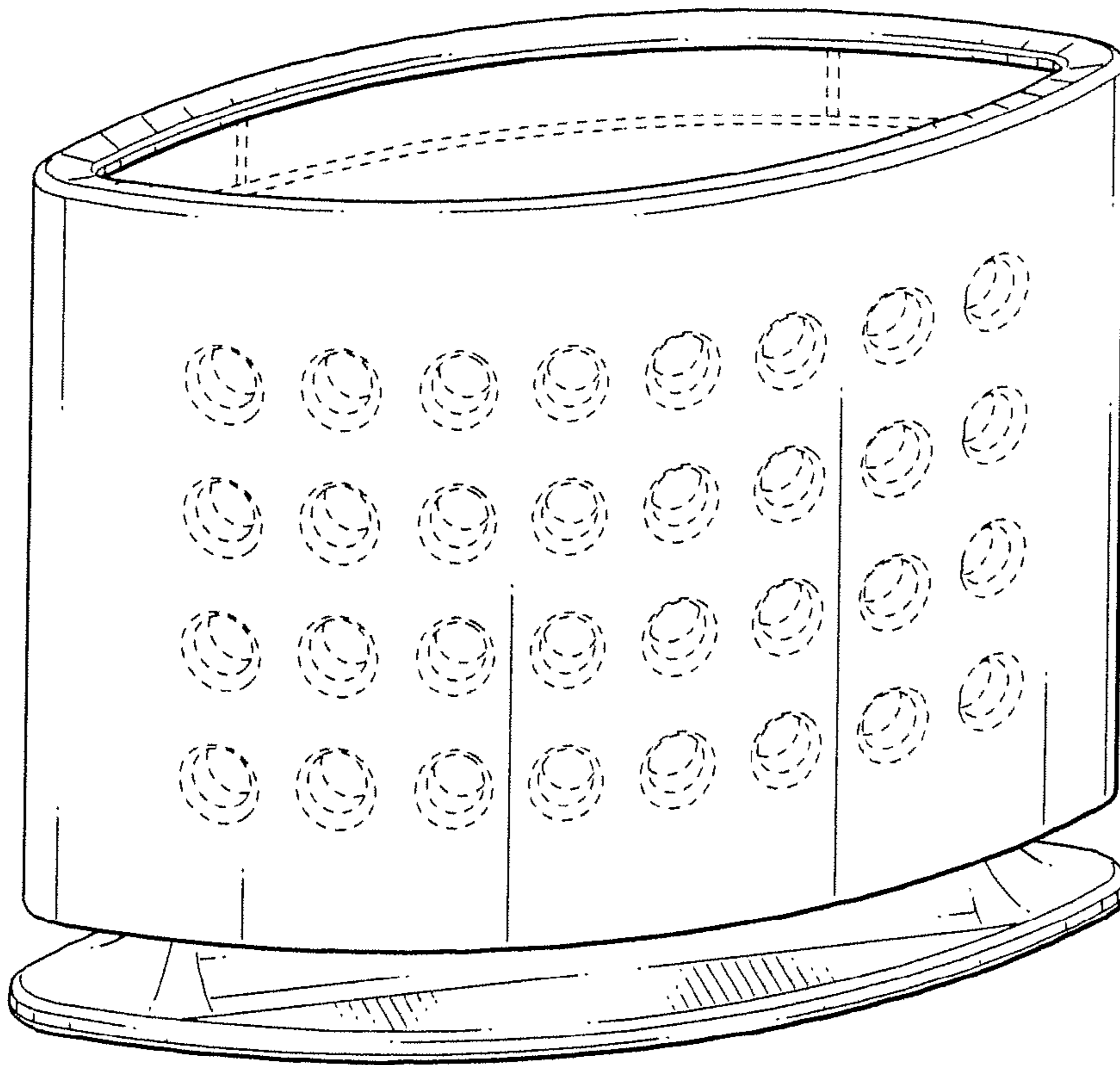


FIG. 1

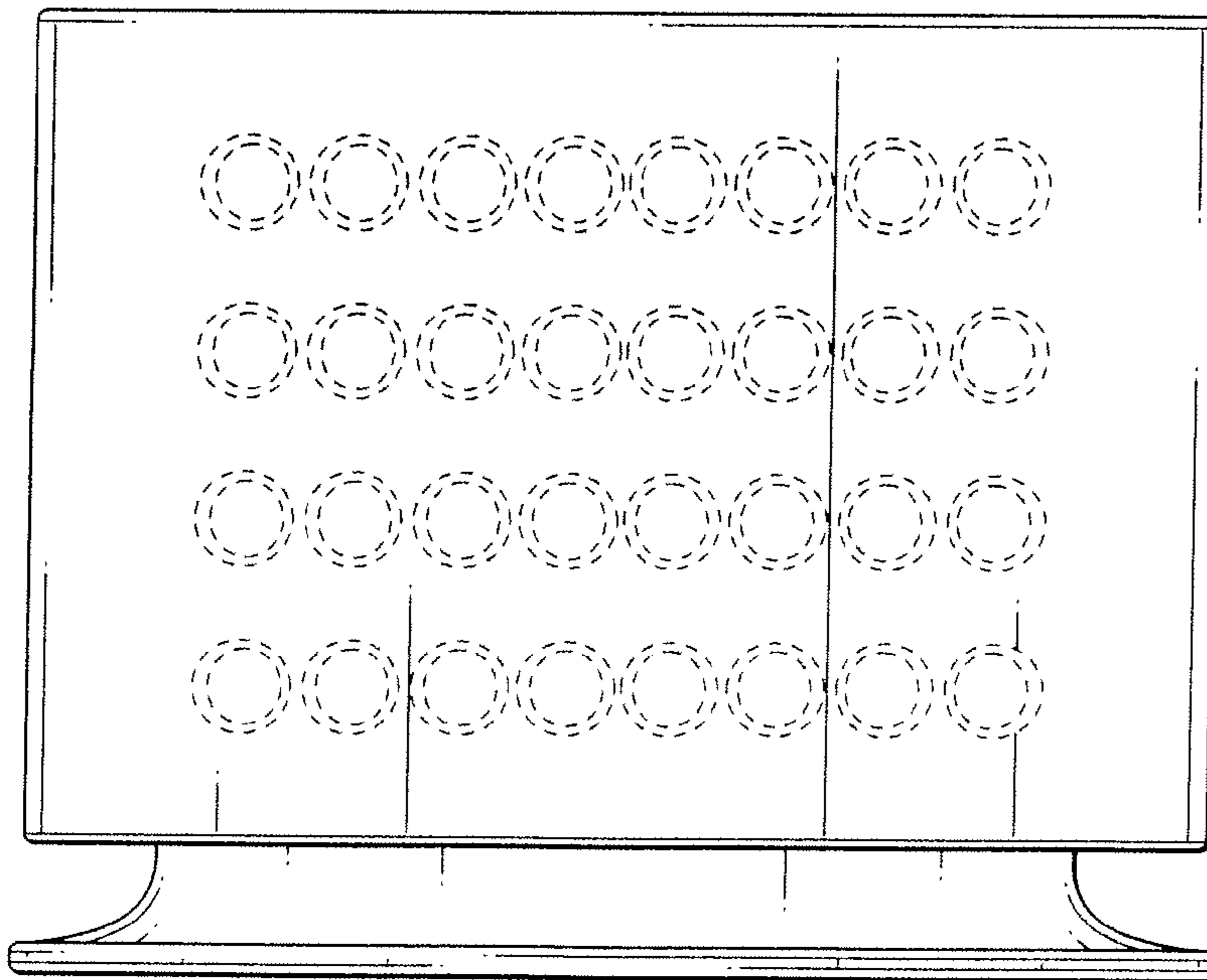


FIG. 2

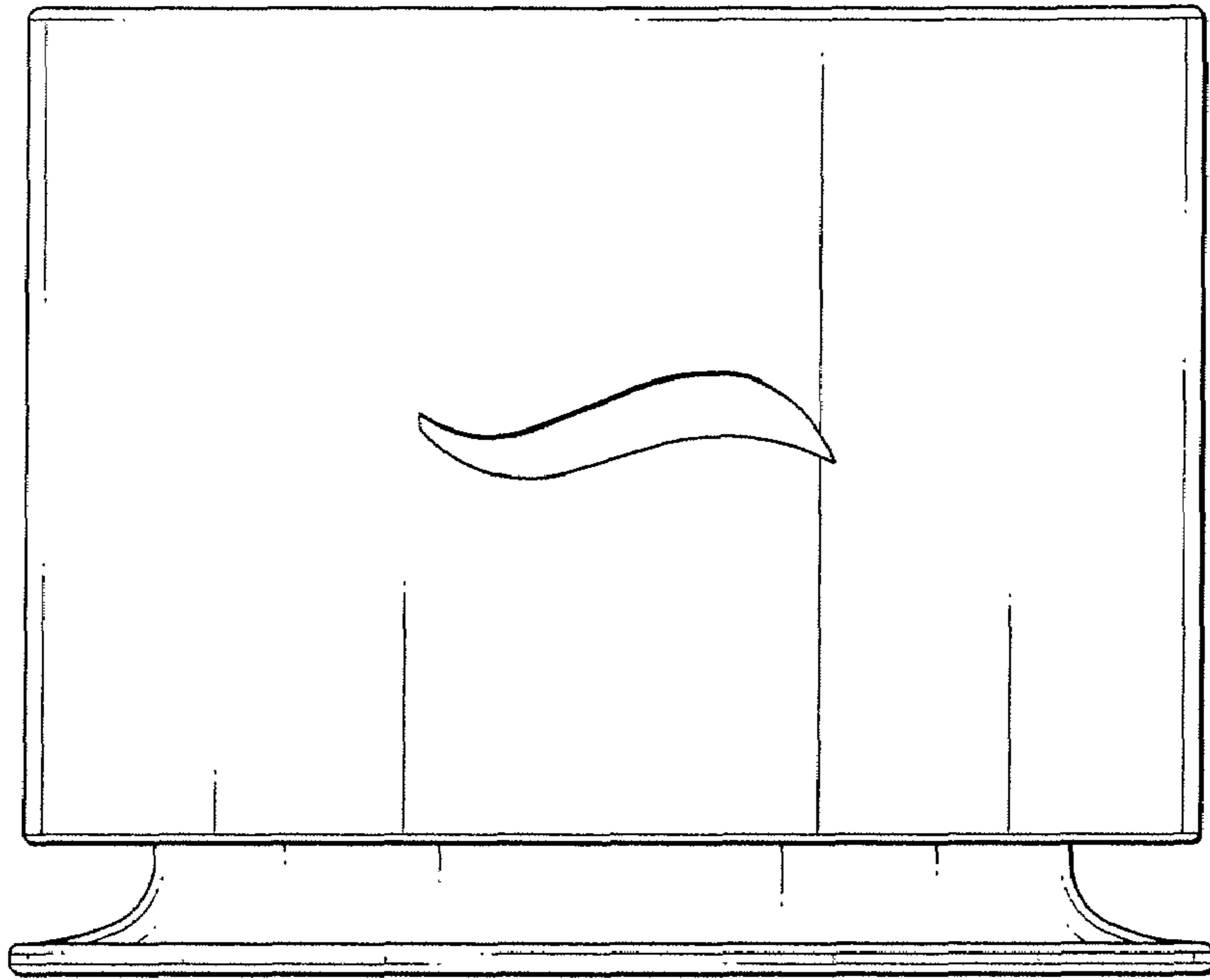


FIG. 3

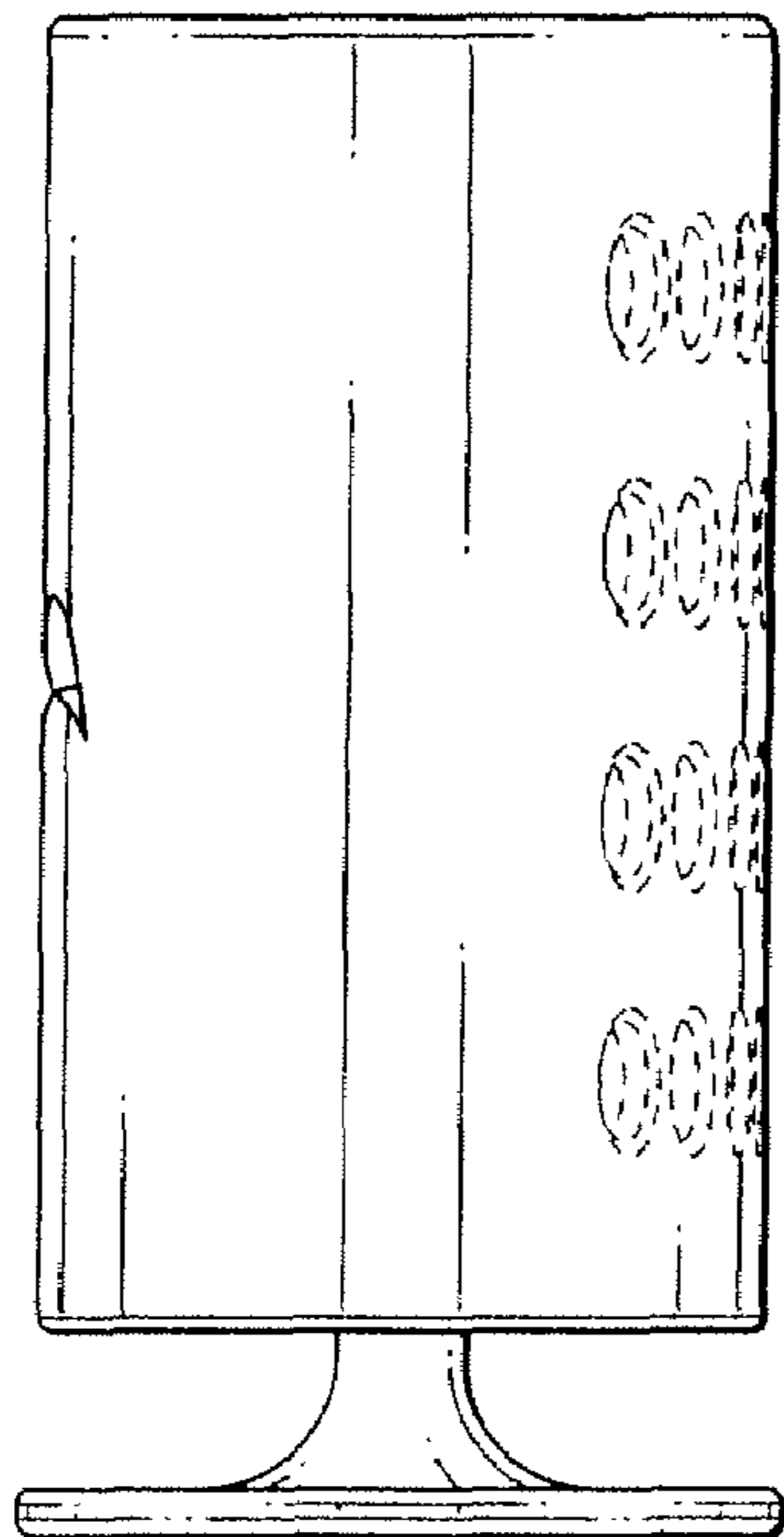


FIG. 4

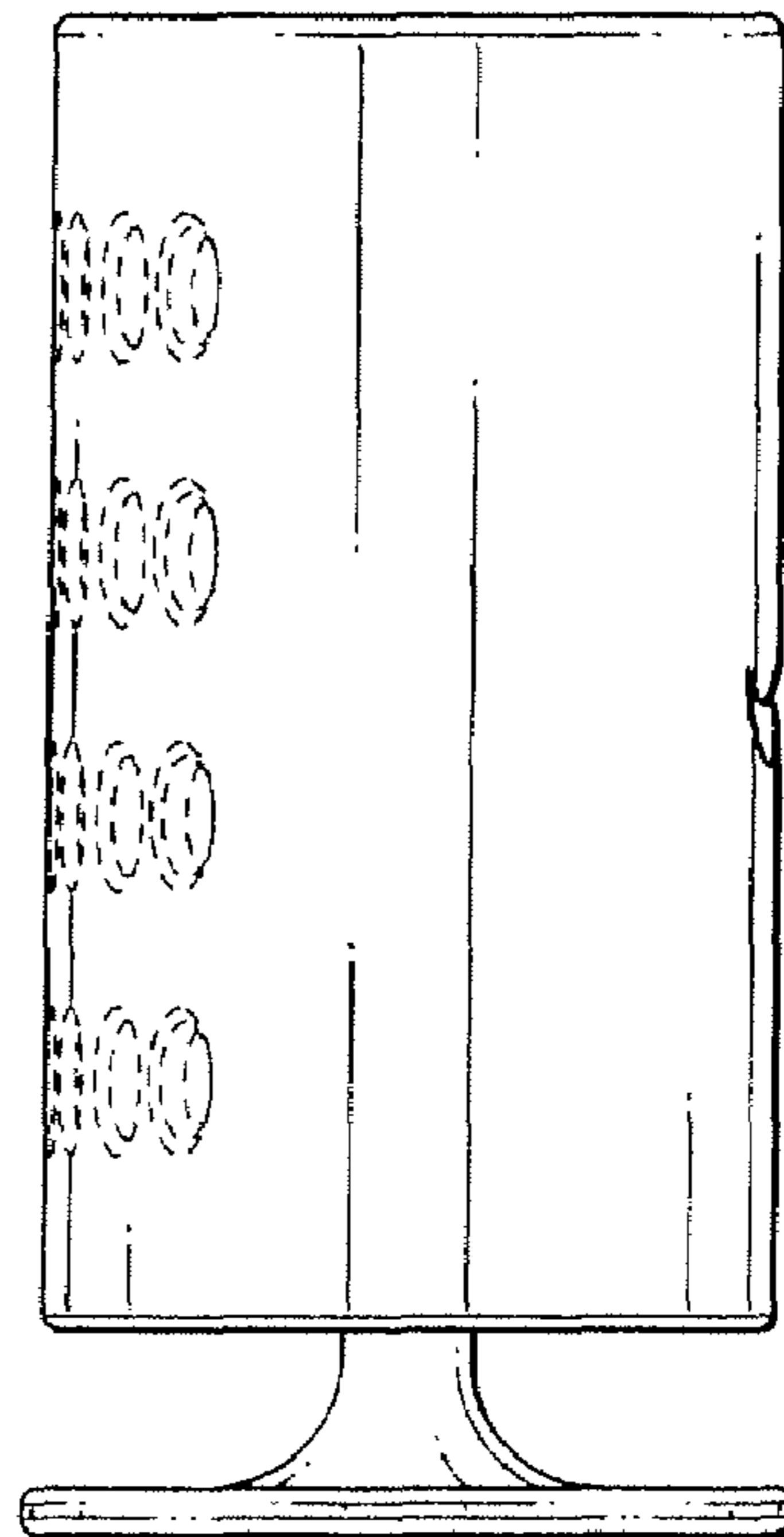


FIG. 5

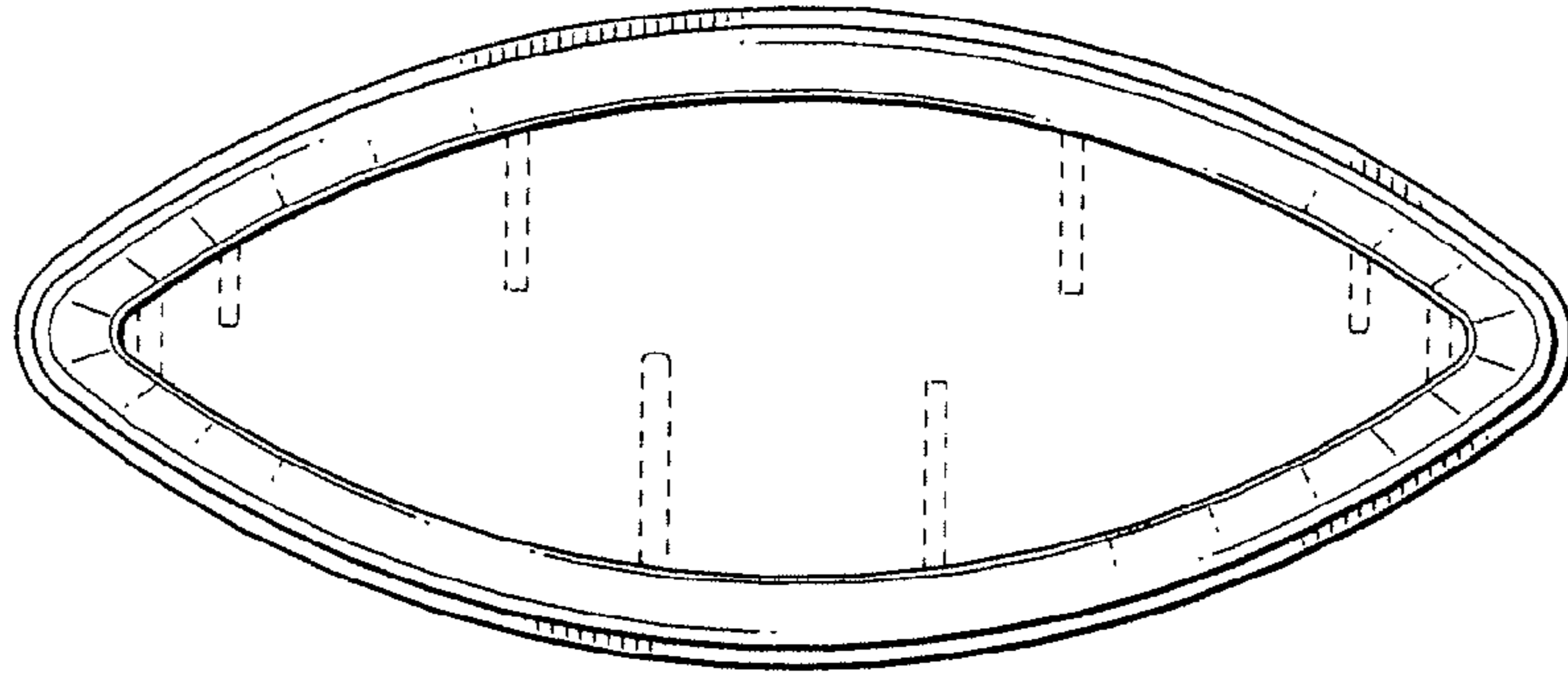


FIG. 6

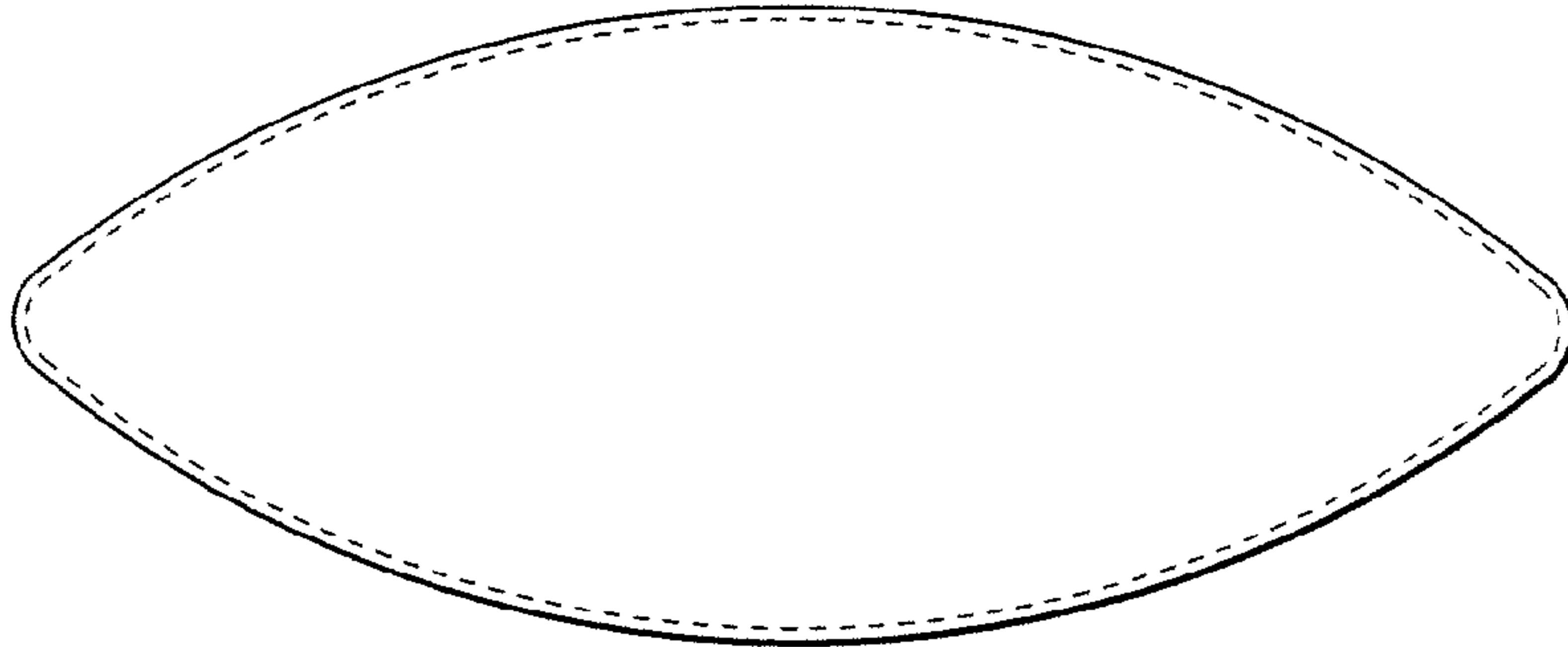


FIG. 7

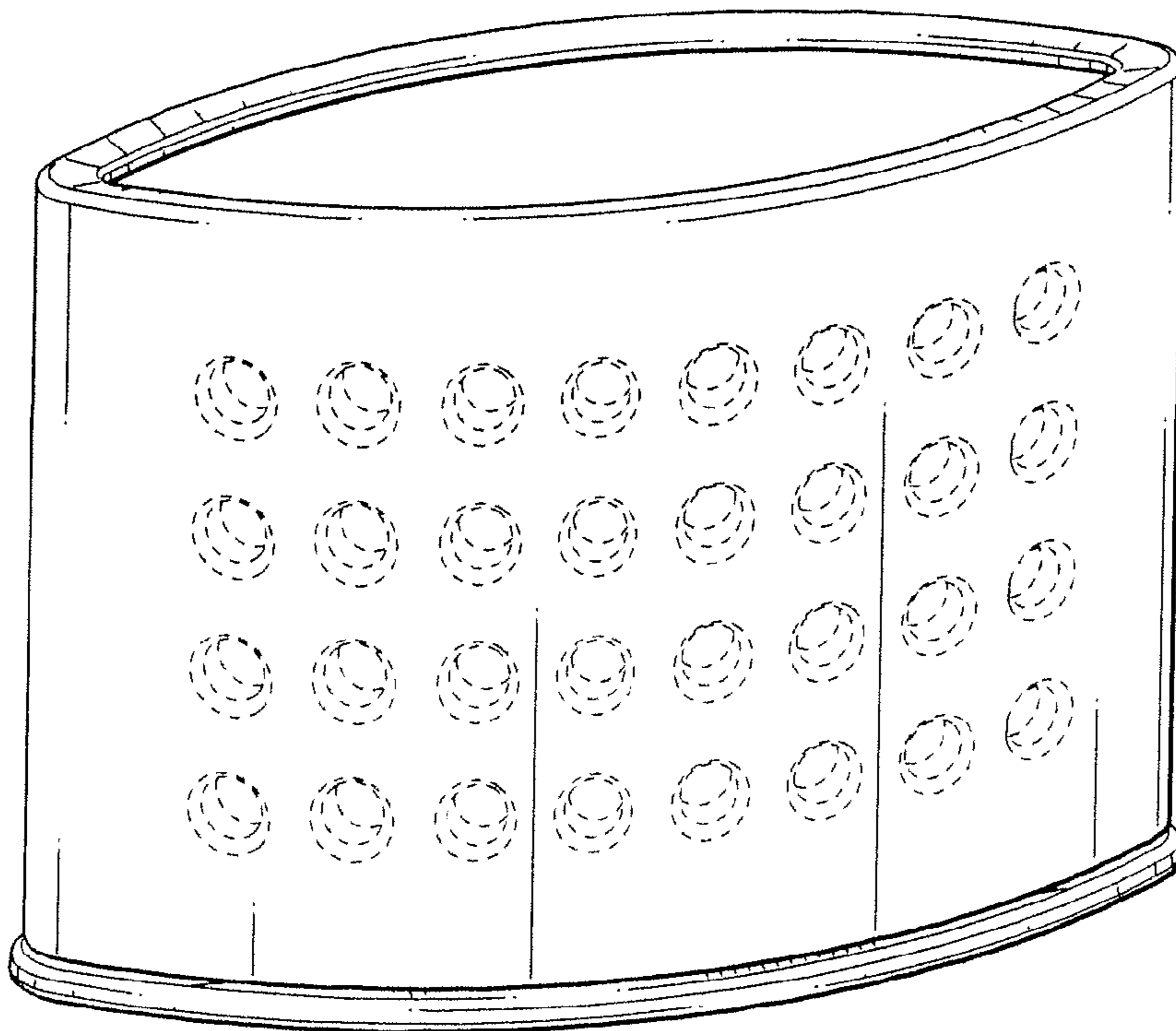


FIG. 8

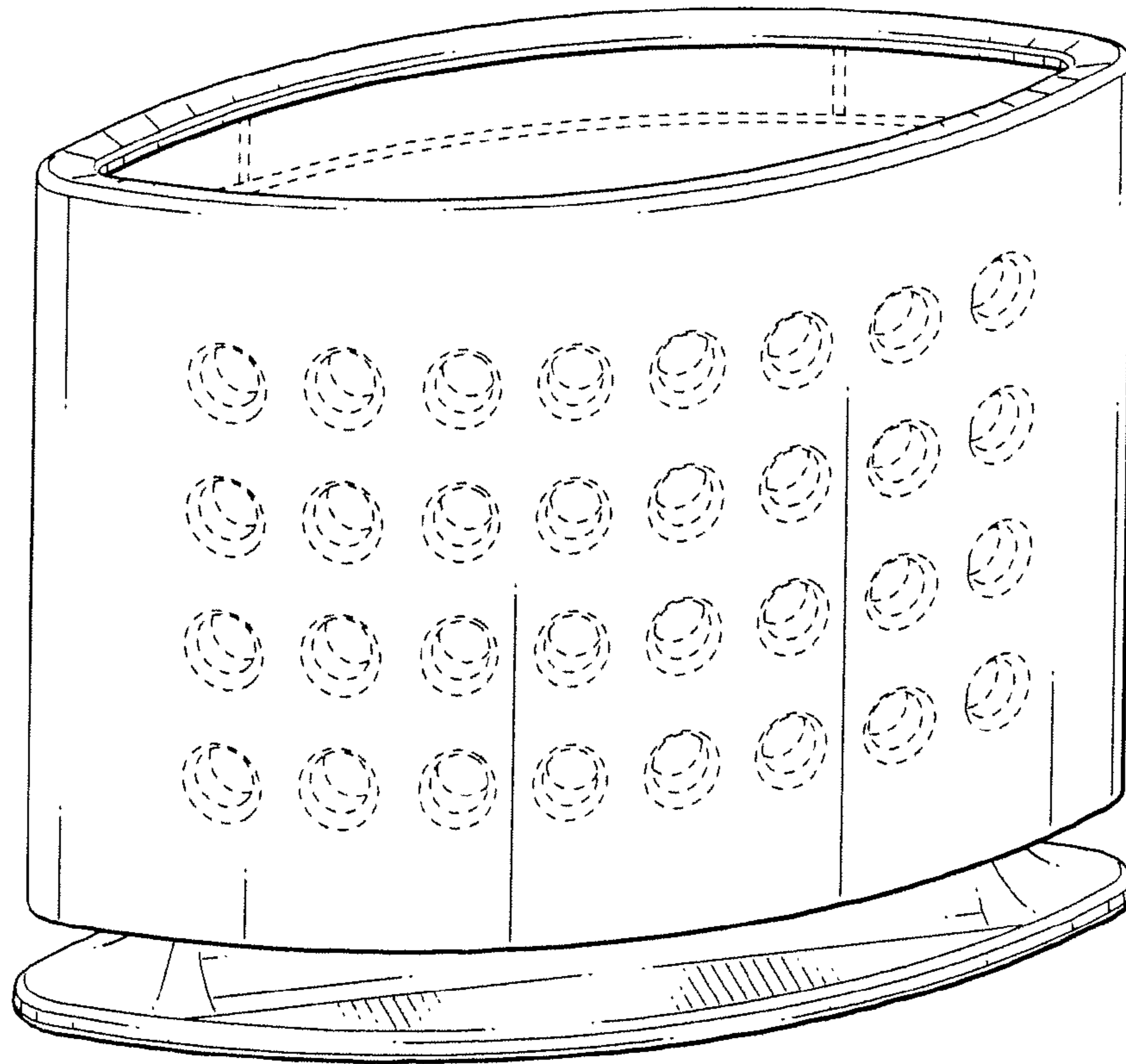


FIG. 9

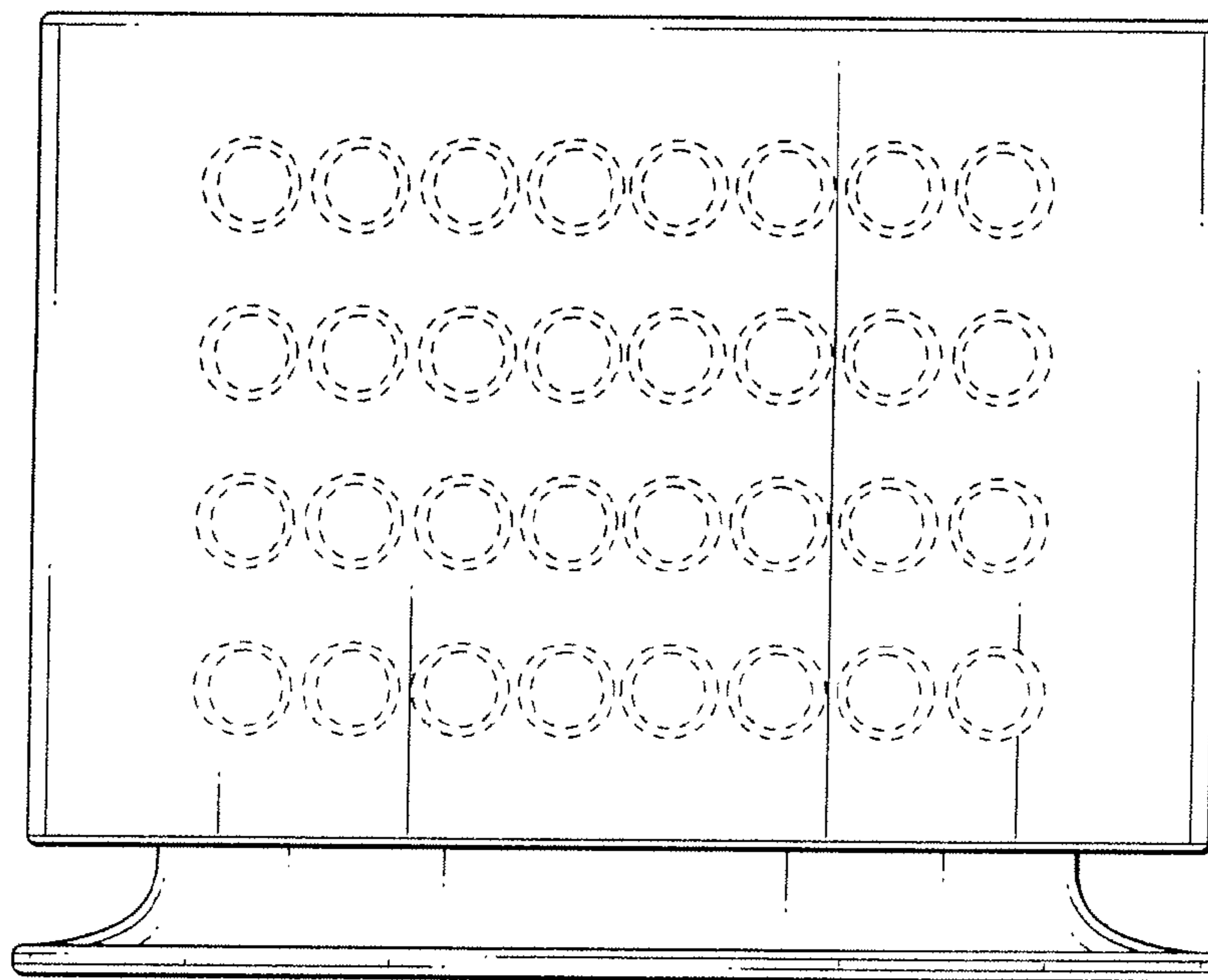


FIG. 10

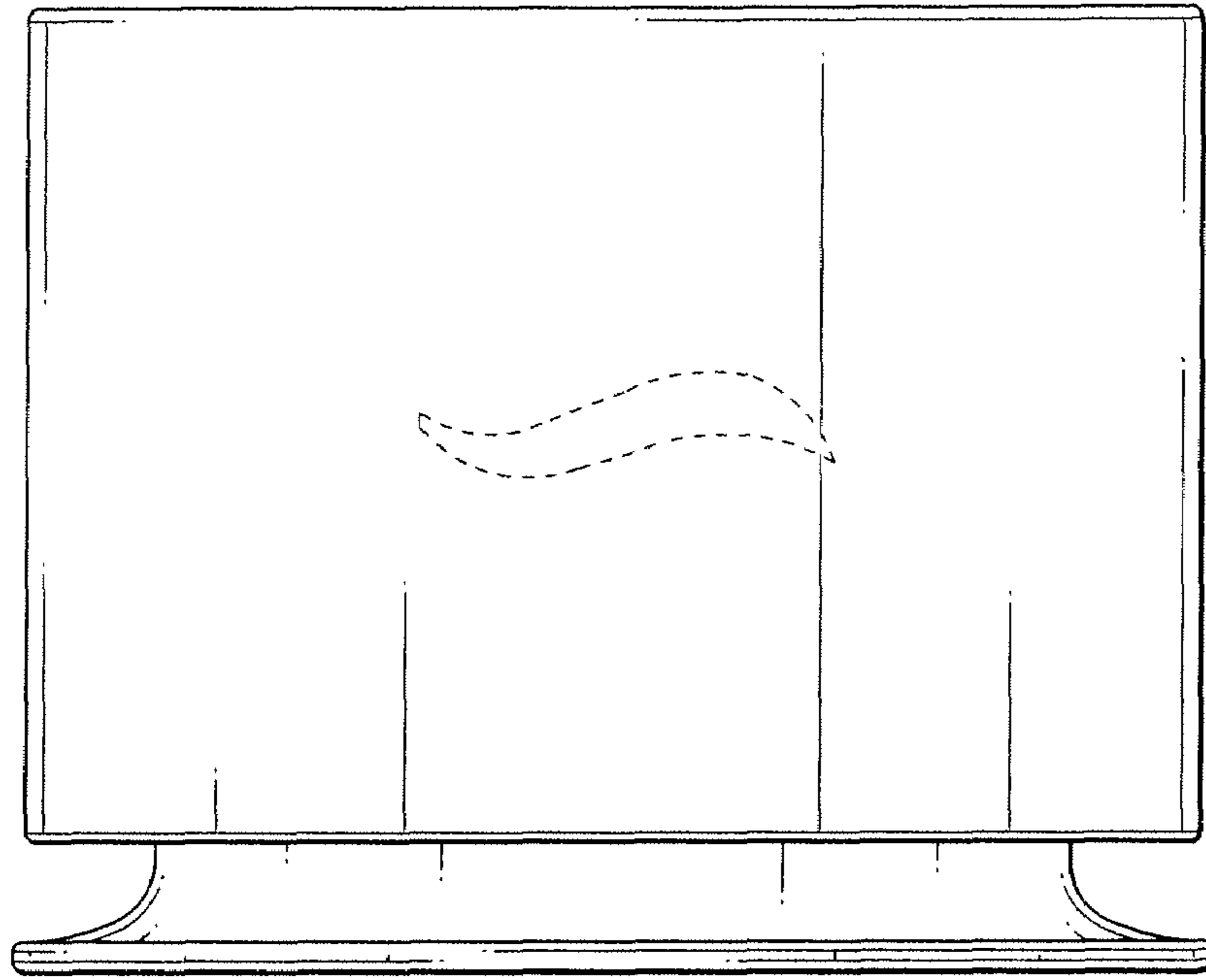


FIG. 11

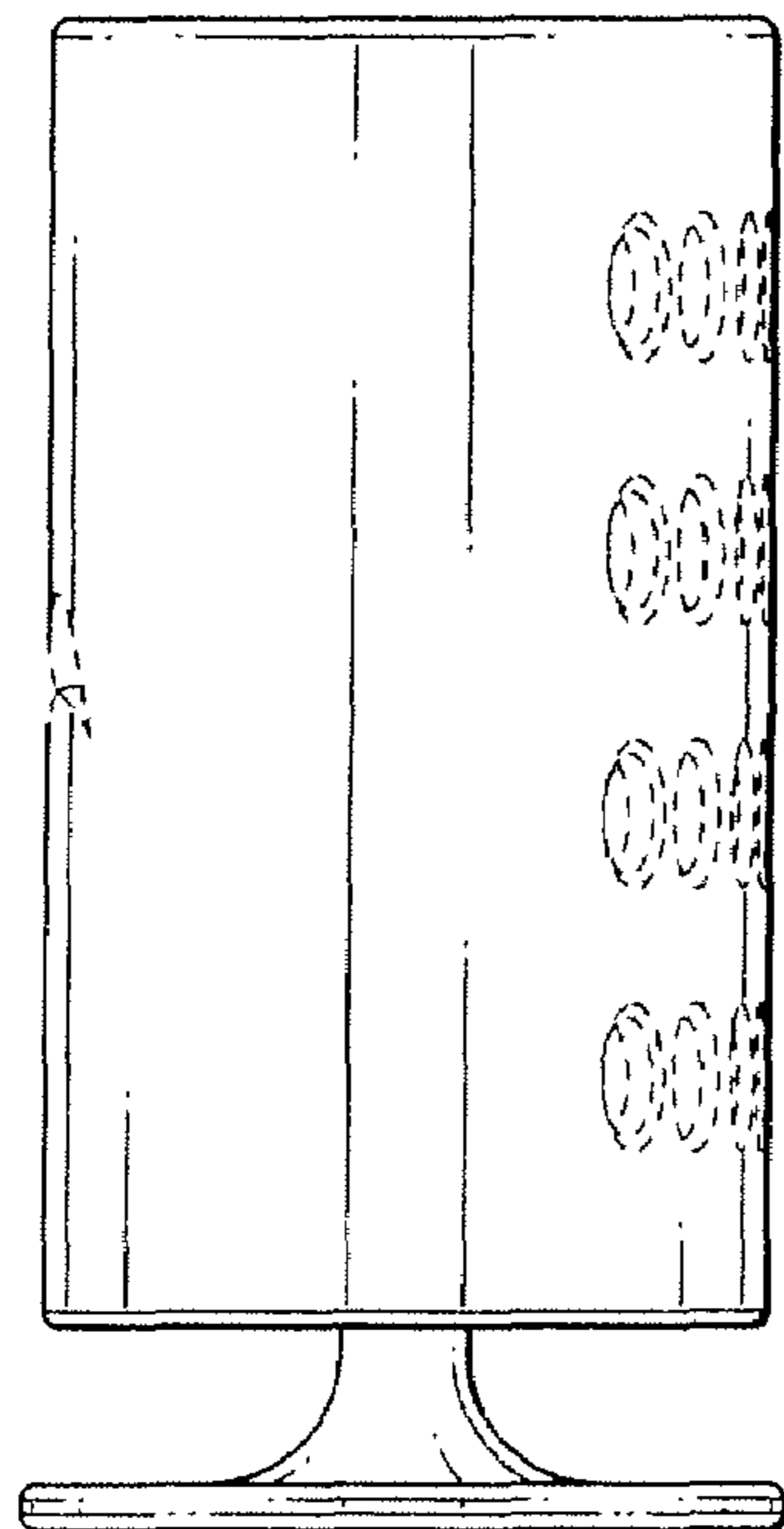


FIG. 12

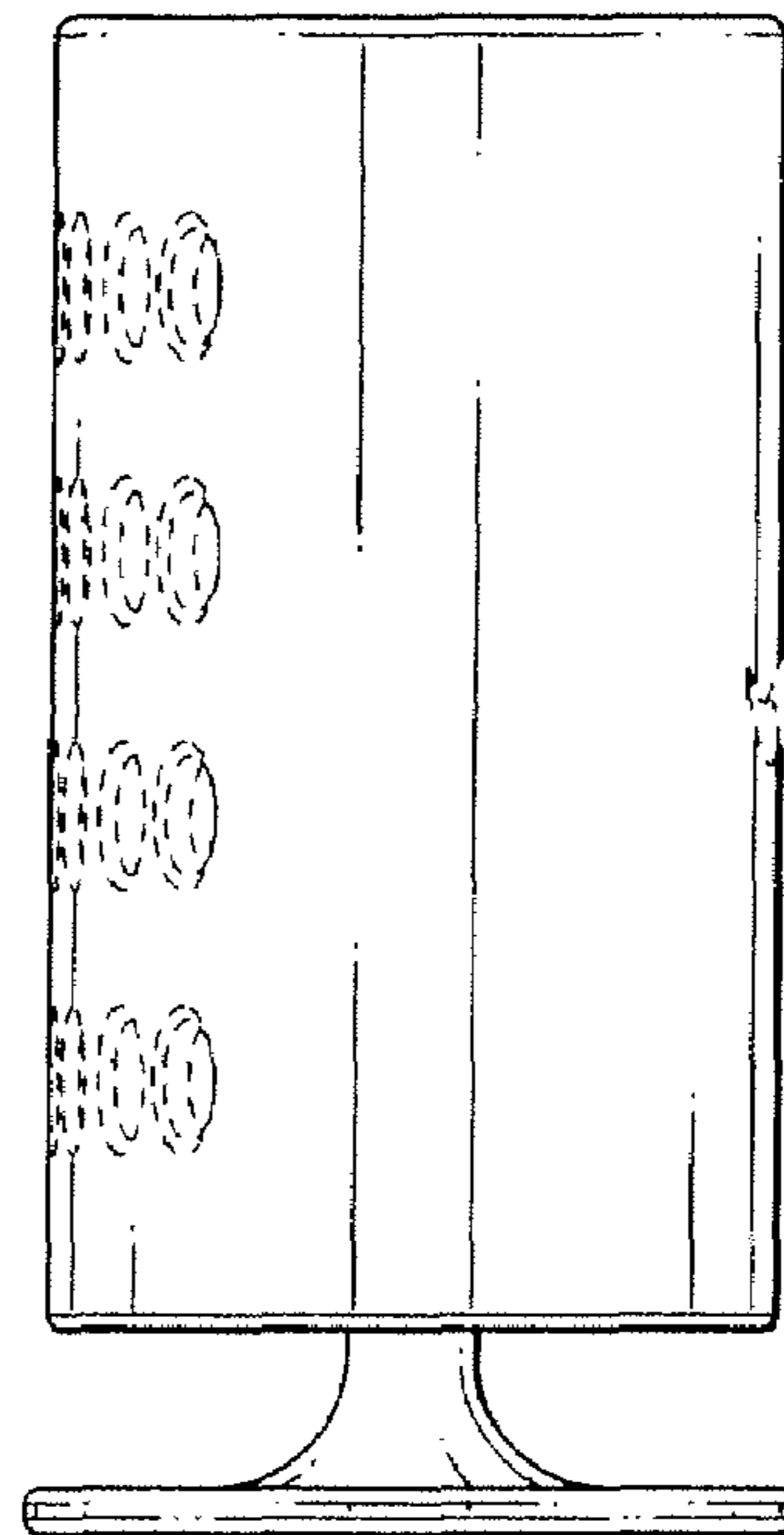


FIG. 13

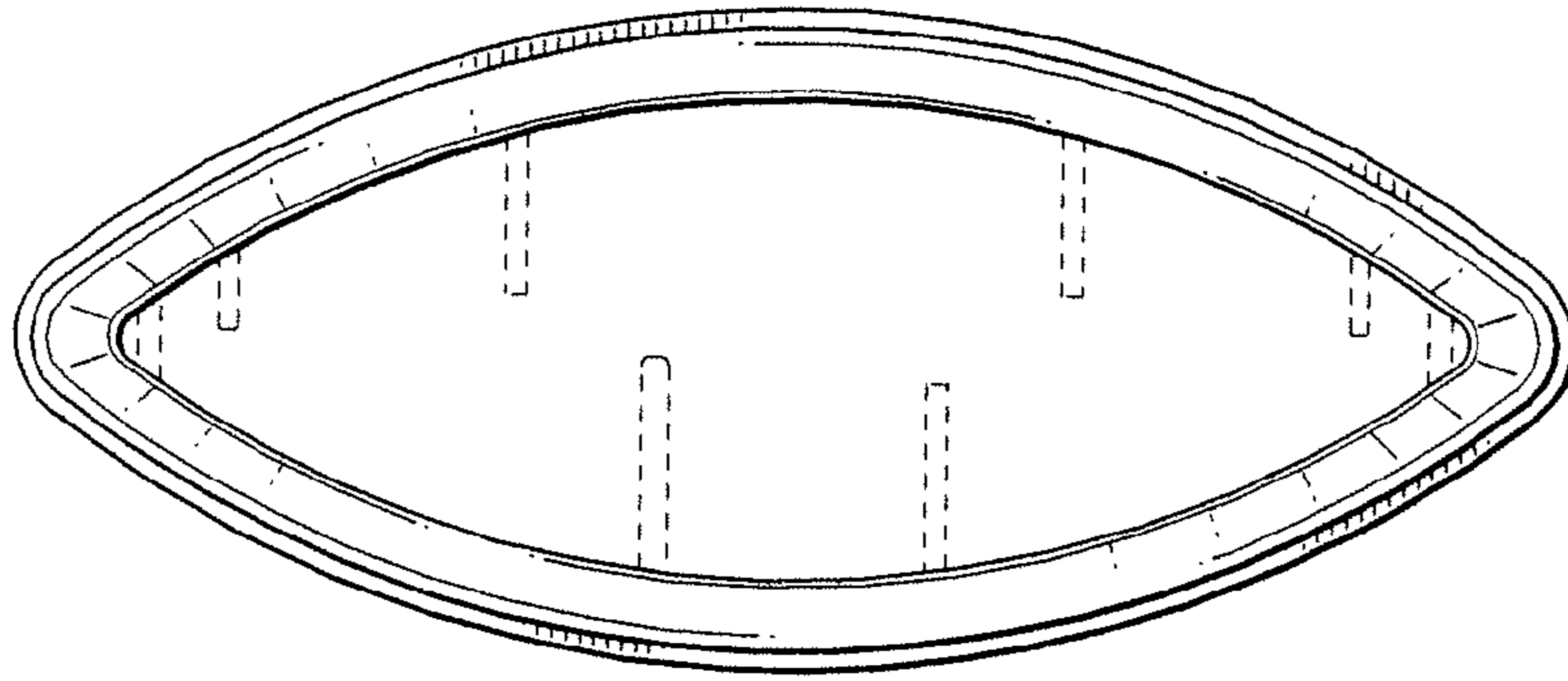


FIG. 14

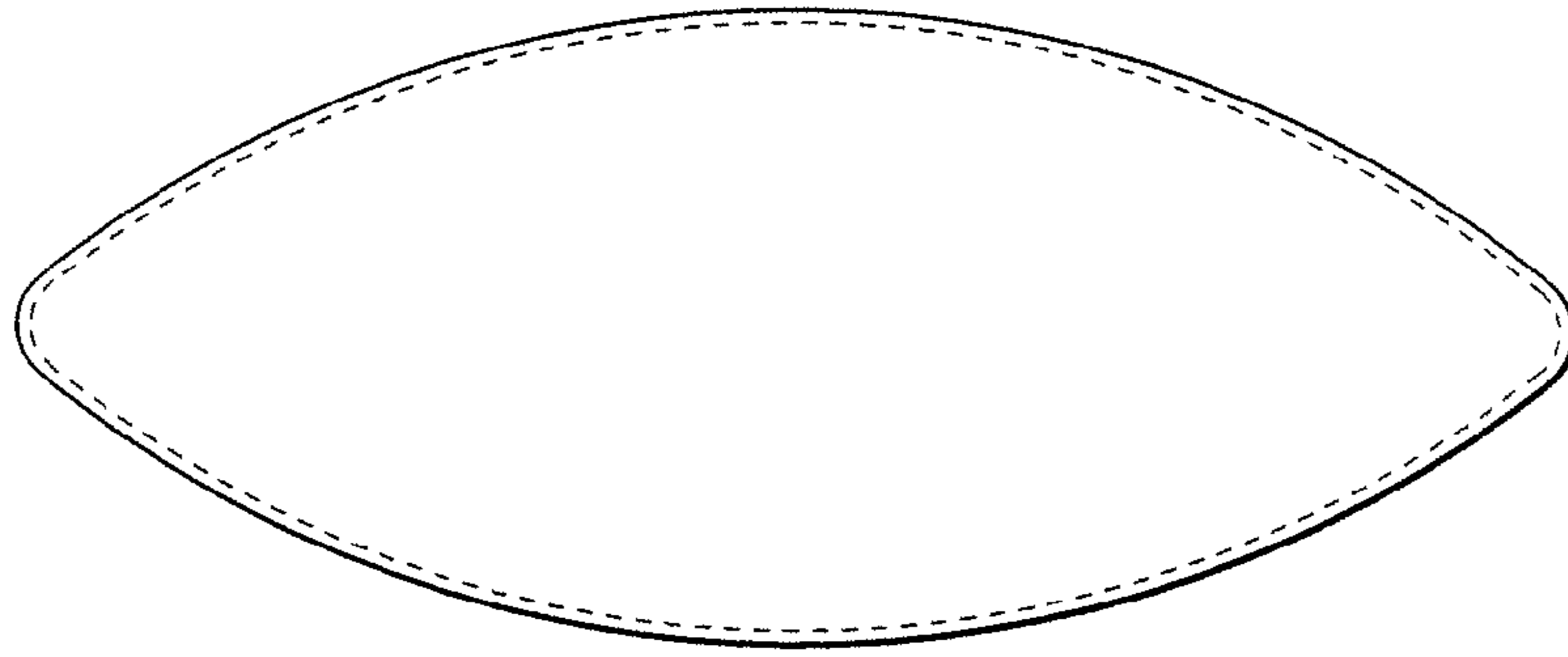


FIG. 15

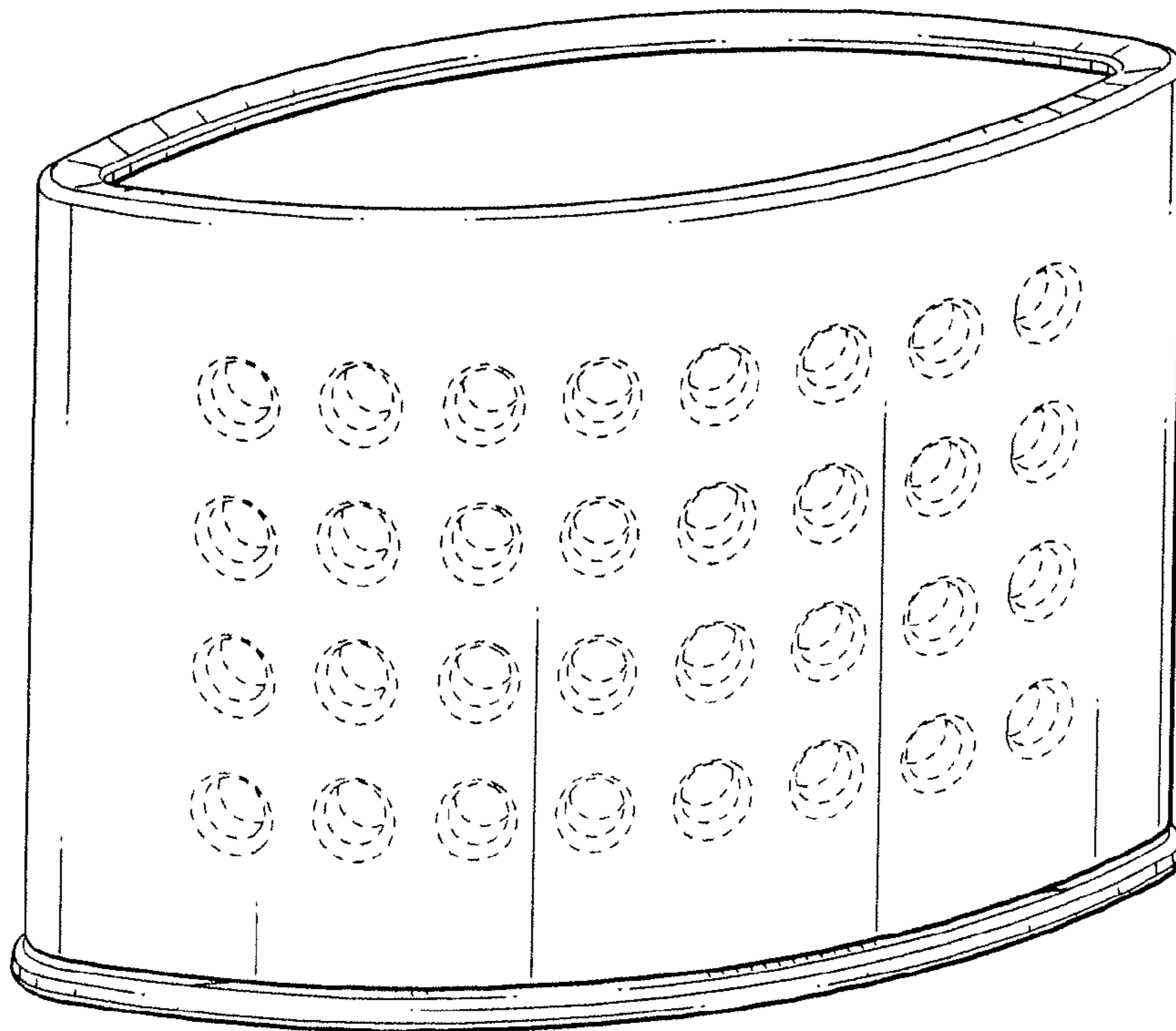


FIG. 16

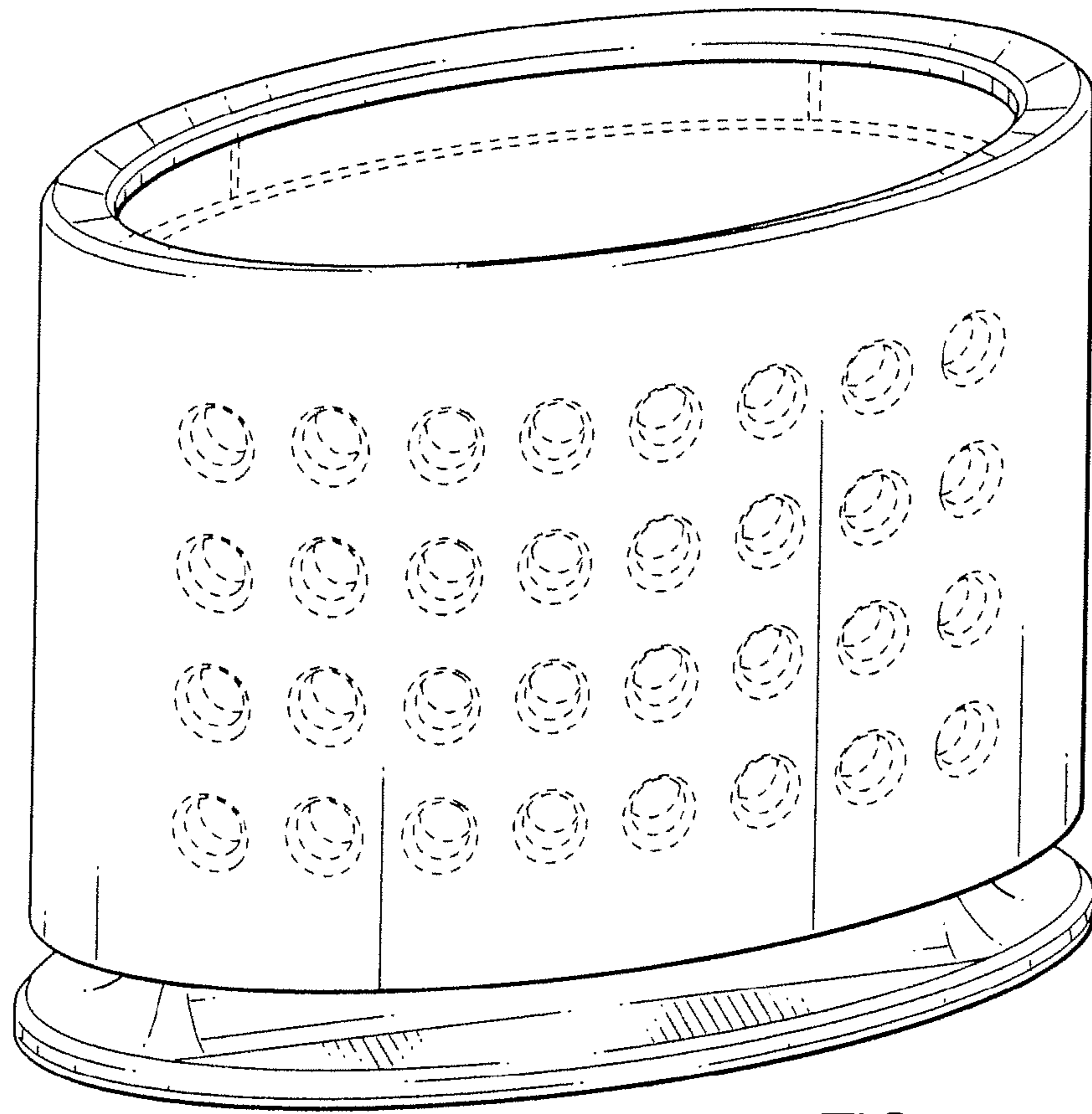


FIG. 17

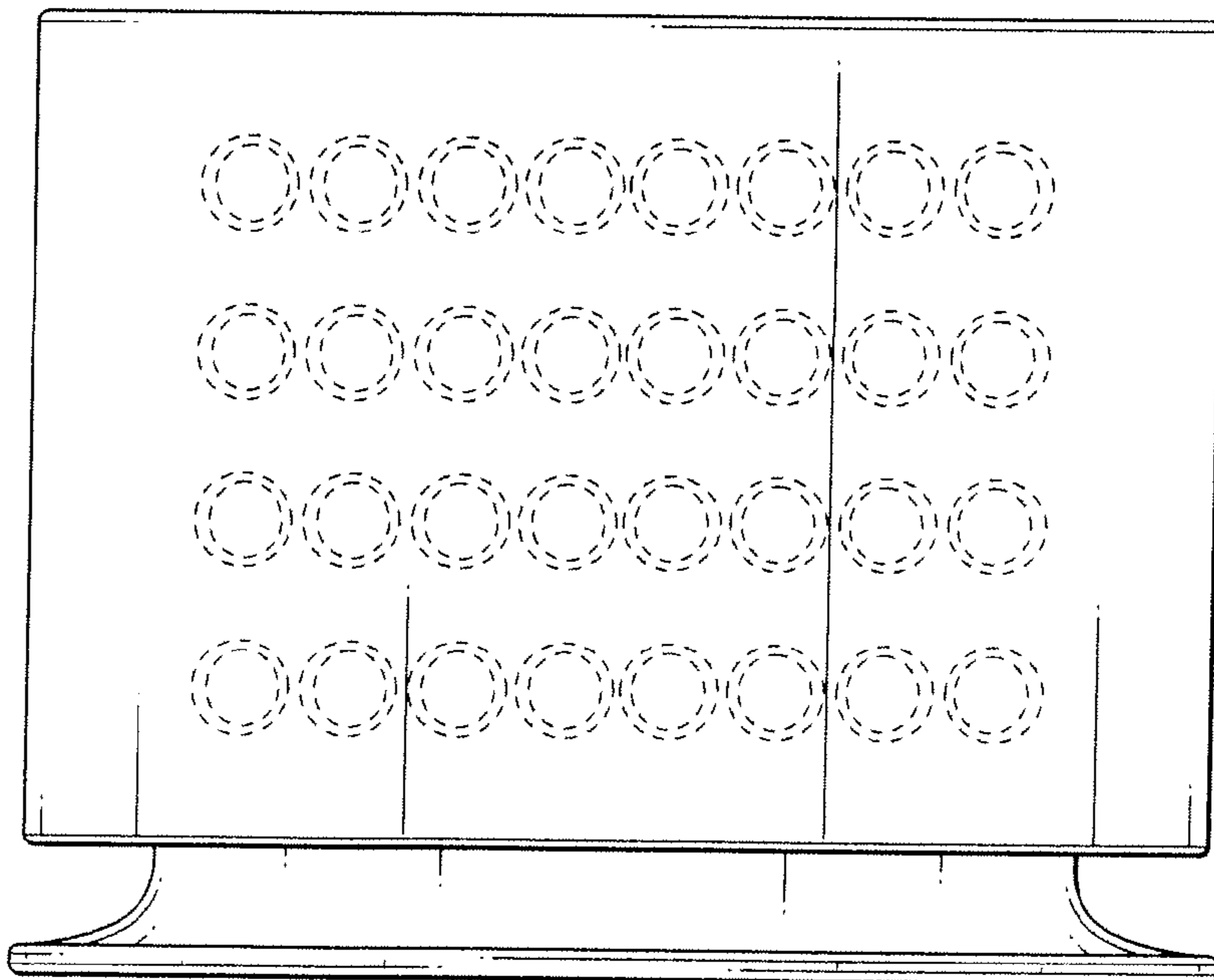


FIG. 18

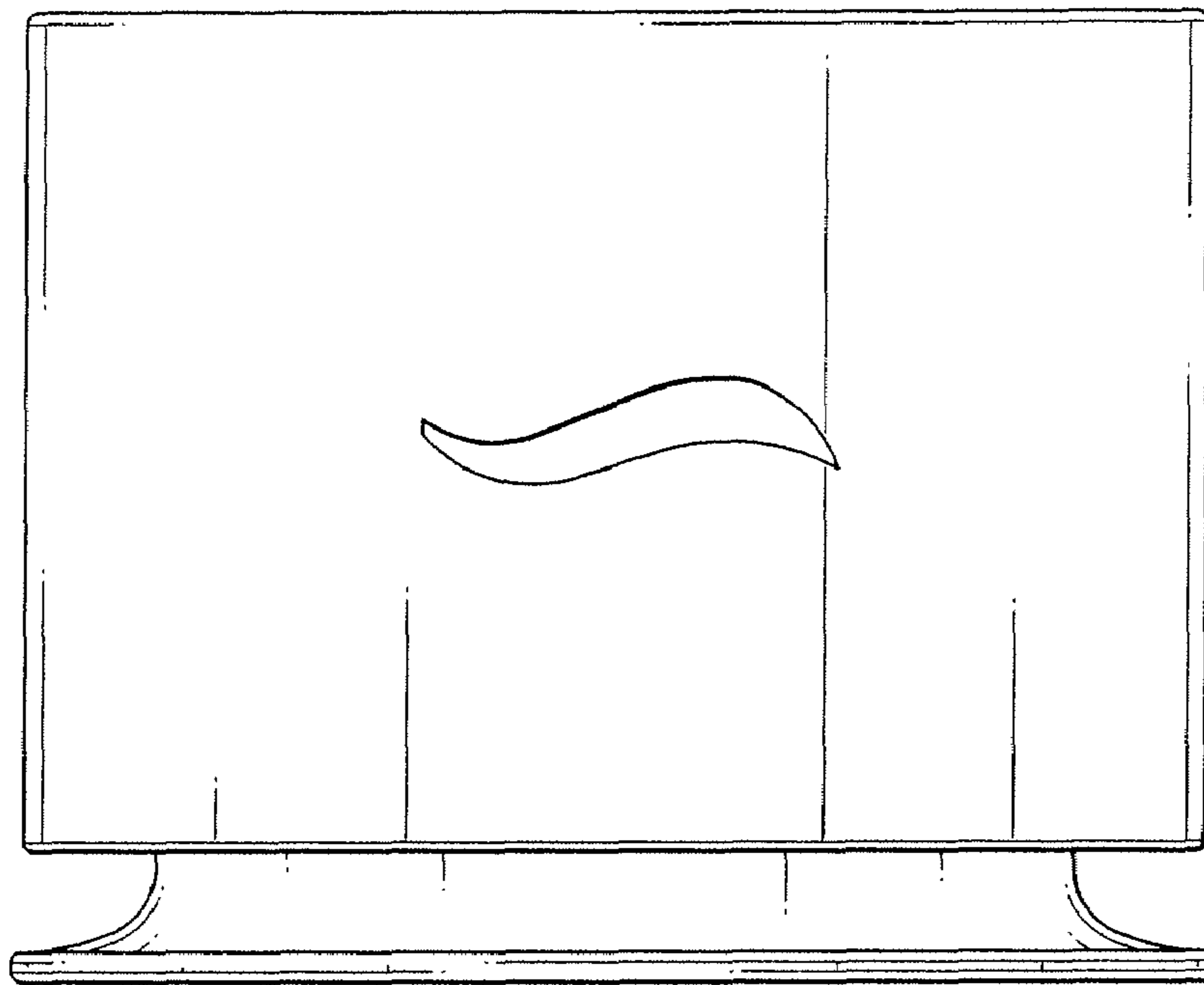


FIG. 19

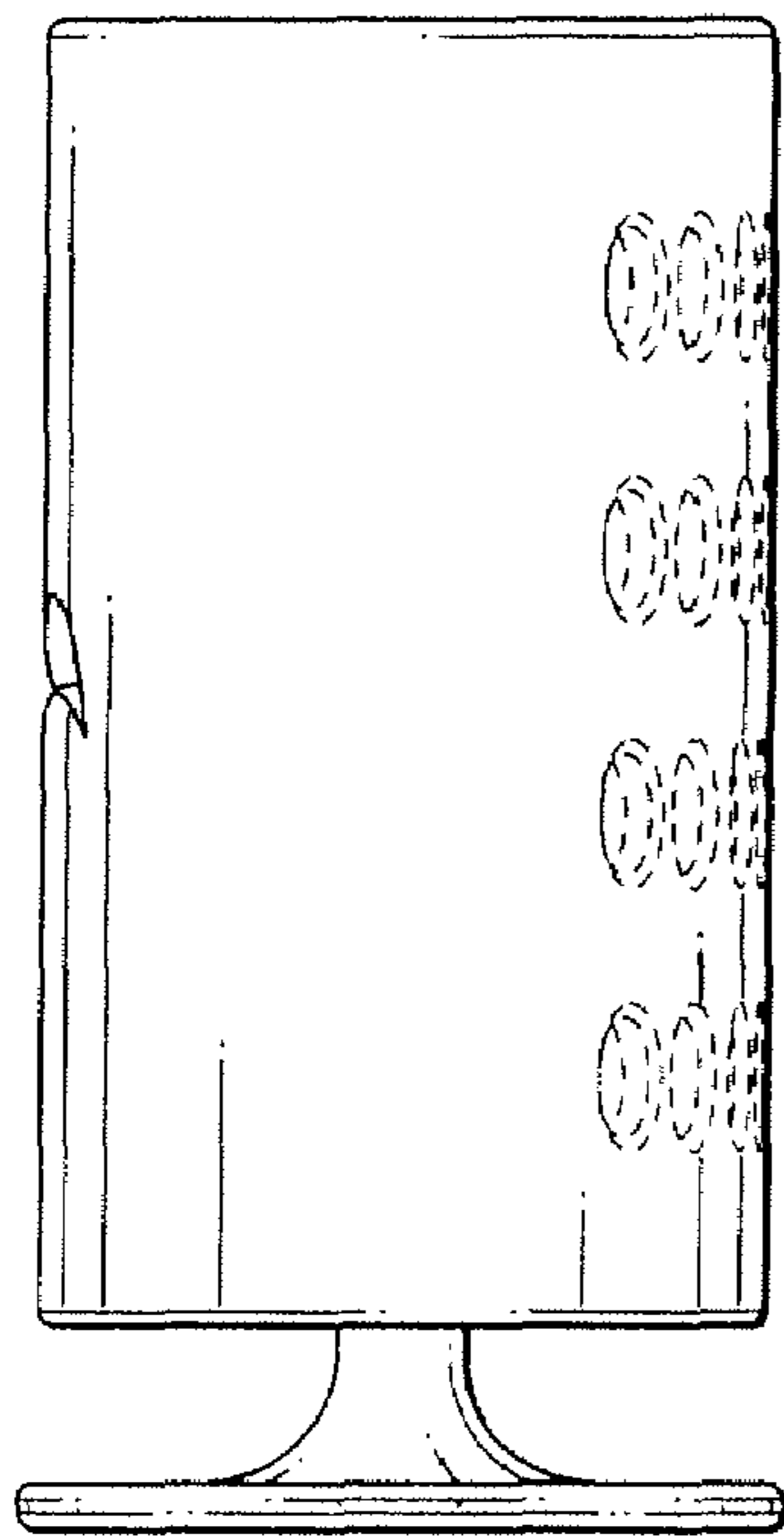


FIG. 20

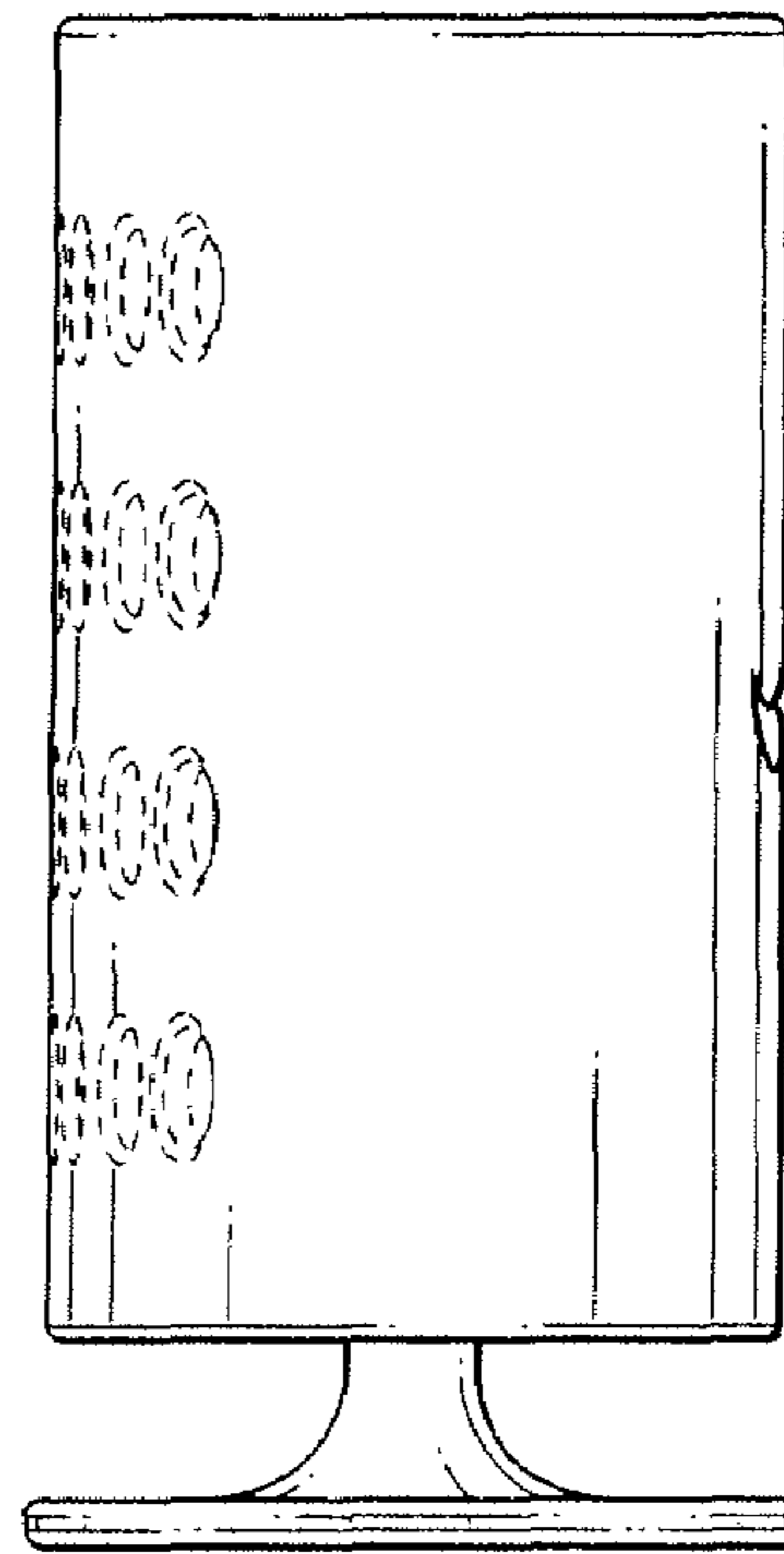


FIG. 21

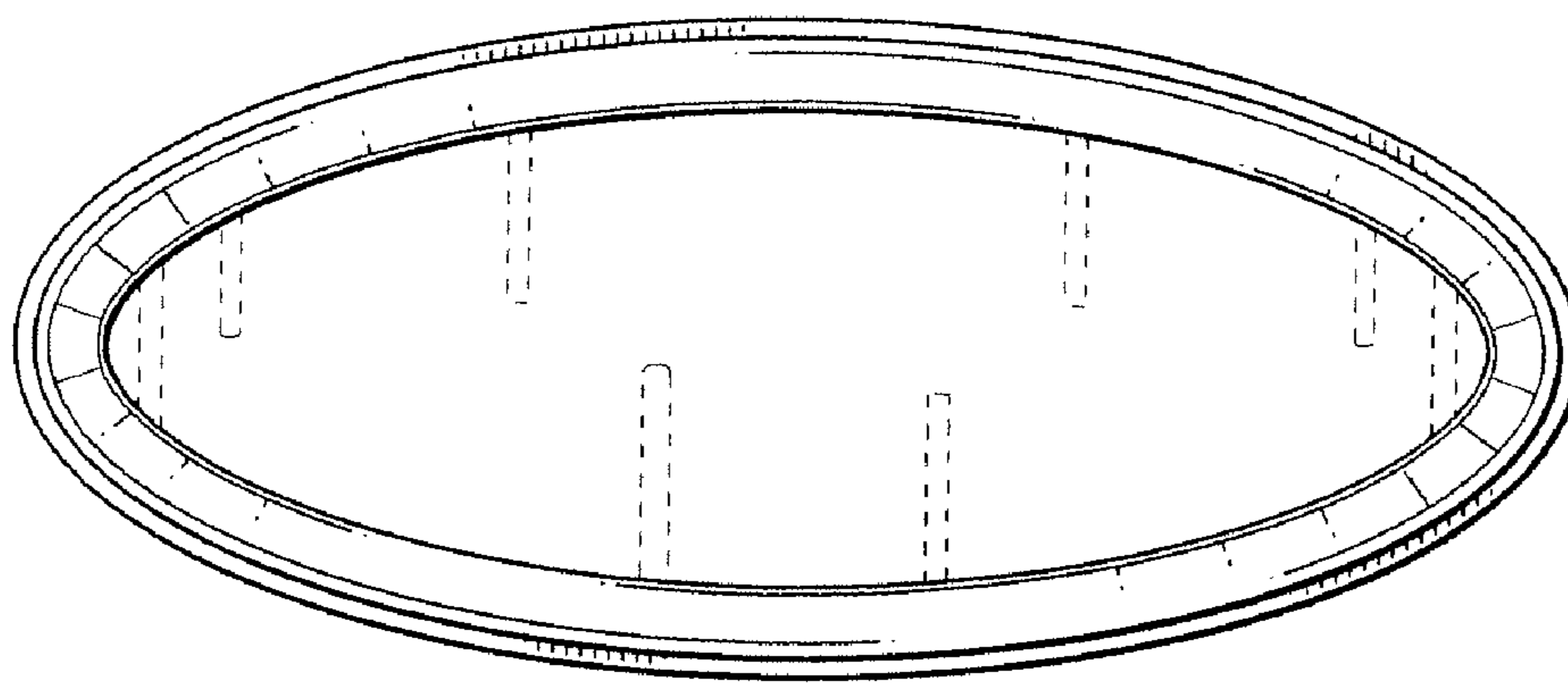


FIG. 22

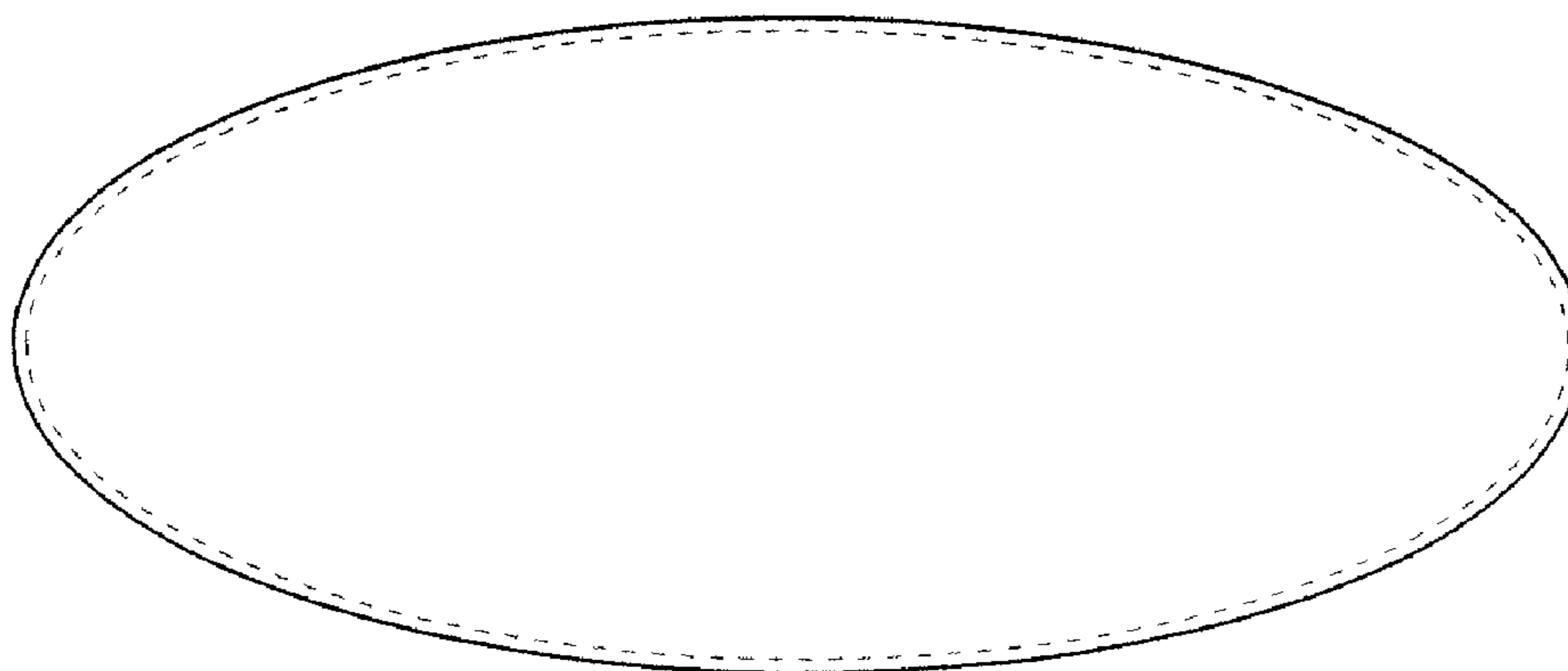


FIG. 23