



US00D609321S

(12) **United States Design Patent**
Tomasulo et al.

(10) **Patent No.:** **US D609,321 S**

(45) **Date of Patent:** **** Feb. 2, 2010**

(54) **DIFFUSING EVAPORATOR OF ACTIVE SUBSTANCES**

(75) Inventors: **Antonietta Tomasulo**, Trento (IT);
Walter Sordo, Trento (IT); **Stefano Deflorian**, Trento (IT)

(73) Assignee: **Zobe Holding SpA**, Trento (IT)

(**) Term: **14 Years**

(21) Appl. No.: **29/331,378**

(22) Filed: **Jan. 23, 2009**

(30) **Foreign Application Priority Data**

Jul. 23, 2008 (EM) 000975354

(51) **LOC (9) Cl.** **28-99**

(52) **U.S. Cl.** **D23/366**

(58) **Field of Classification Search** D23/355-369;
261/DIG. 17, DIG. 42, DIG. 65, DIG. 88,
261/DIG. 89; 239/34-36, 44-45, 53-54,
239/56-57, 60, 136, 152, 302, 326; 392/386,
392/390, 392, 394, 395; D28/5, 6
See application file for complete search history.

(56) **References Cited**

U.S. PATENT DOCUMENTS

- 3,807,082 A * 4/1974 Hautmann et al. 43/125
- D271,517 S * 11/1983 Mori D23/366
- D324,098 S * 2/1992 Ragonesi D23/366
- D366,521 S * 1/1996 Wijaranakula D23/366
- D373,416 S * 9/1996 Ford et al. D23/364
- D374,713 S * 10/1996 Ford et al. D23/364
- D395,705 S * 6/1998 Ediger et al. D23/365

- D396,275 S * 7/1998 Pearson D23/355
- D402,746 S * 12/1998 Clark et al. D23/364
- D456,070 S * 4/2002 Garman D23/364
- D465,567 S * 11/2002 Choi D23/364
- D516,689 S * 3/2006 Salmon et al. D23/364
- D552,225 S * 10/2007 Borovicka et al. D23/364

* cited by examiner

Primary Examiner—Sandra Snapp

(74) *Attorney, Agent, or Firm*—Knobbe Martens Olson & Bear LLP

(57) **CLAIM**

The ornamental design for a diffusing evaporator of active substances, as shown and described.

DESCRIPTION

FIG. 1 is a perspective view of a diffusing evaporator of active substances showing top, left, and front sides of our new design.

FIG. 2 is a perspective view showing bottom, right, and rear sides thereof.

FIG. 3 is a front elevational view thereof.

FIG. 4 is a top plan view thereof.

FIG. 5 is a left side elevational view thereof.

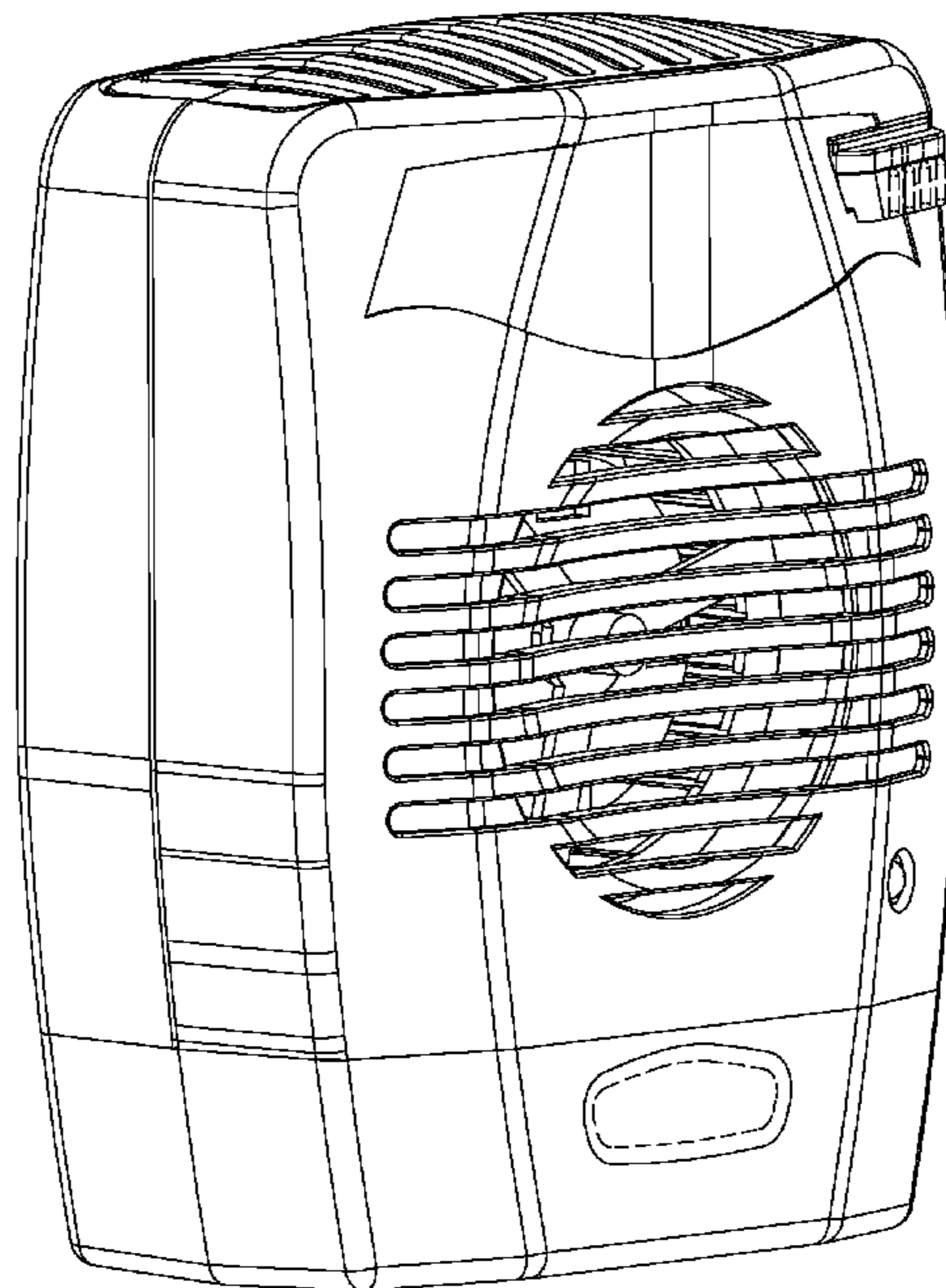
FIG. 6 is a rear elevational view thereof.

FIG. 7 is a bottom plan view thereof; and,

FIG. 8 is a right side elevational view thereof.

The broken lines shown in the drawings are for illustrative purposes only and form no part of the claimed design.

1 Claim, 8 Drawing Sheets



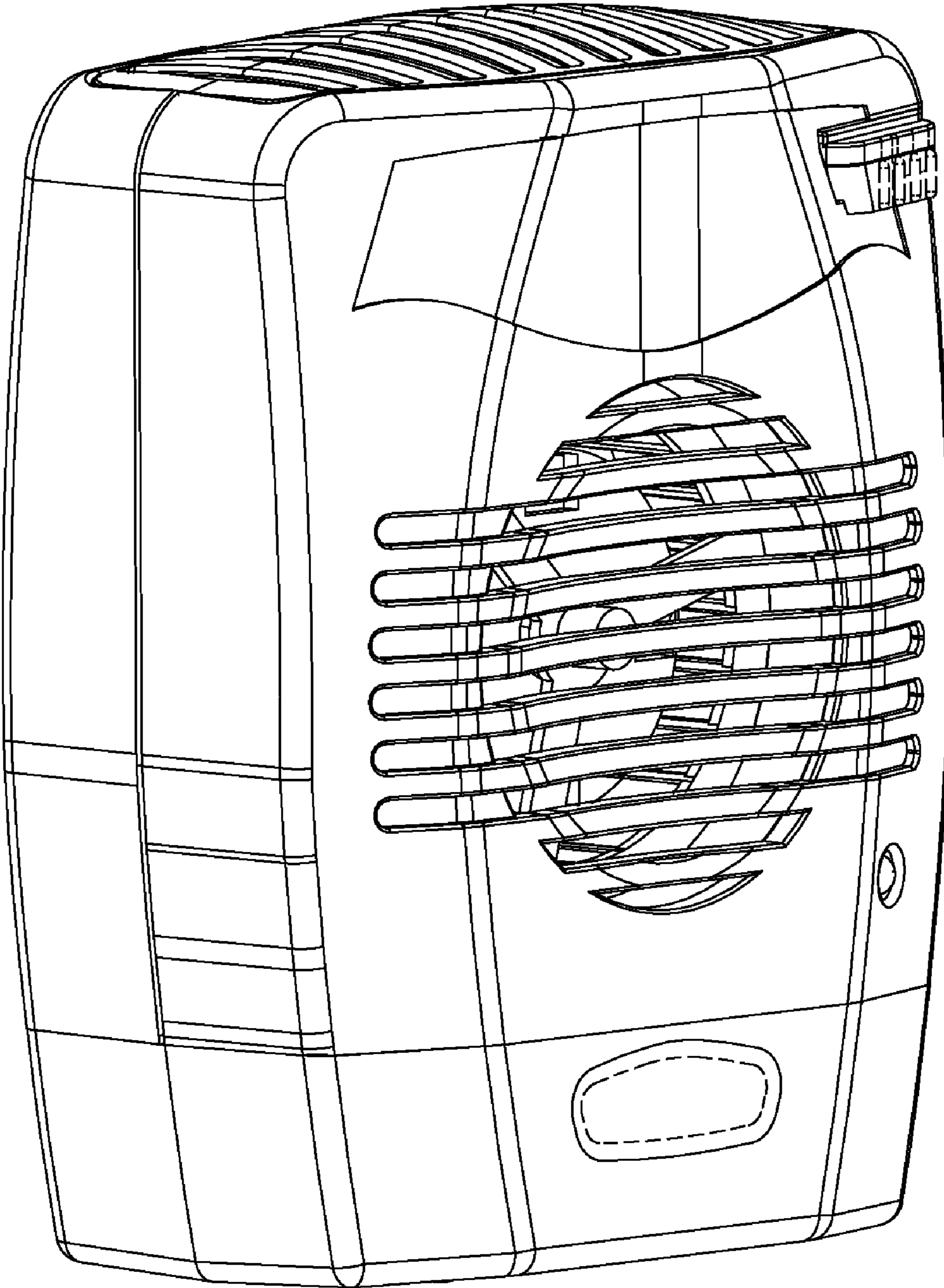


FIG. 1

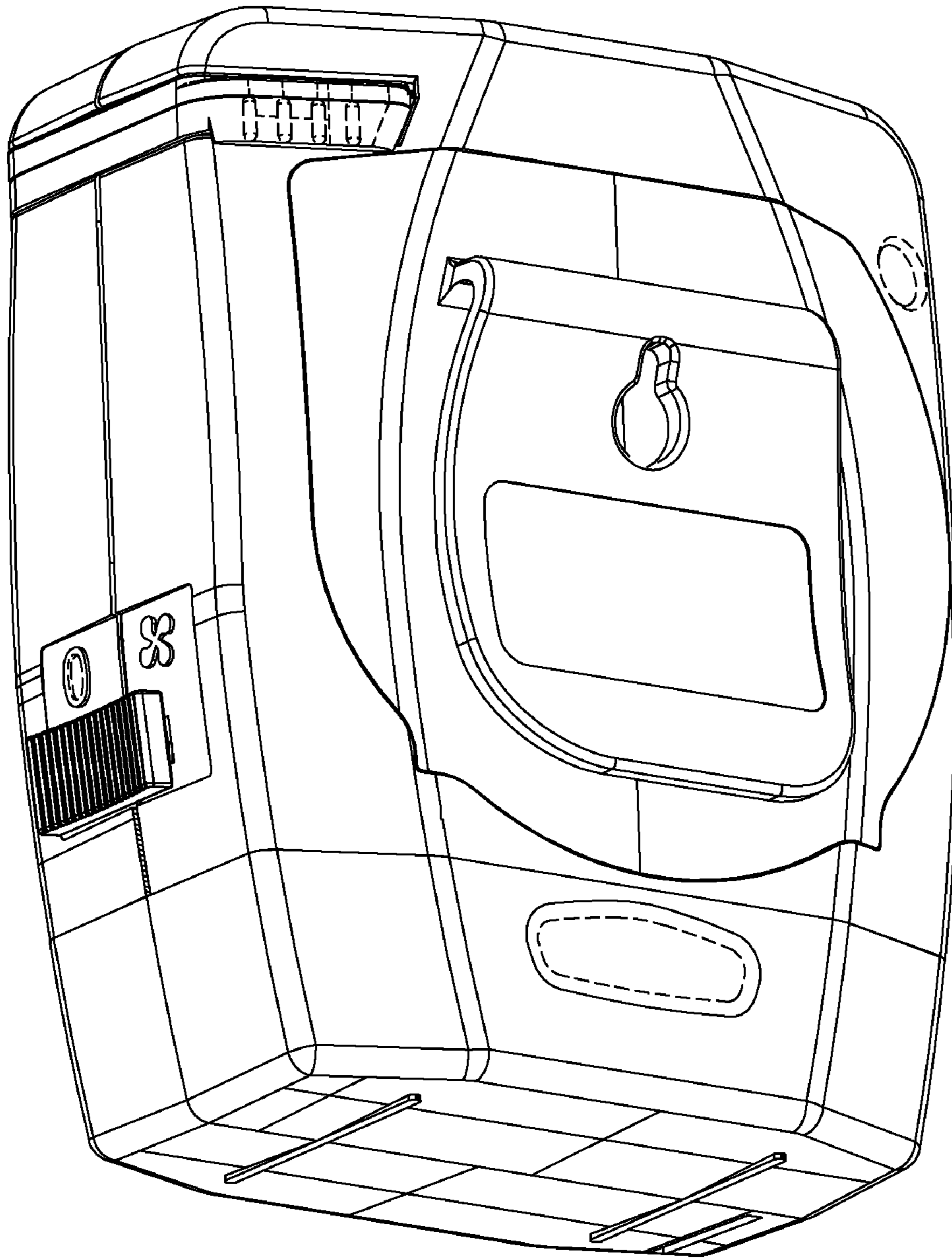


FIG. 2

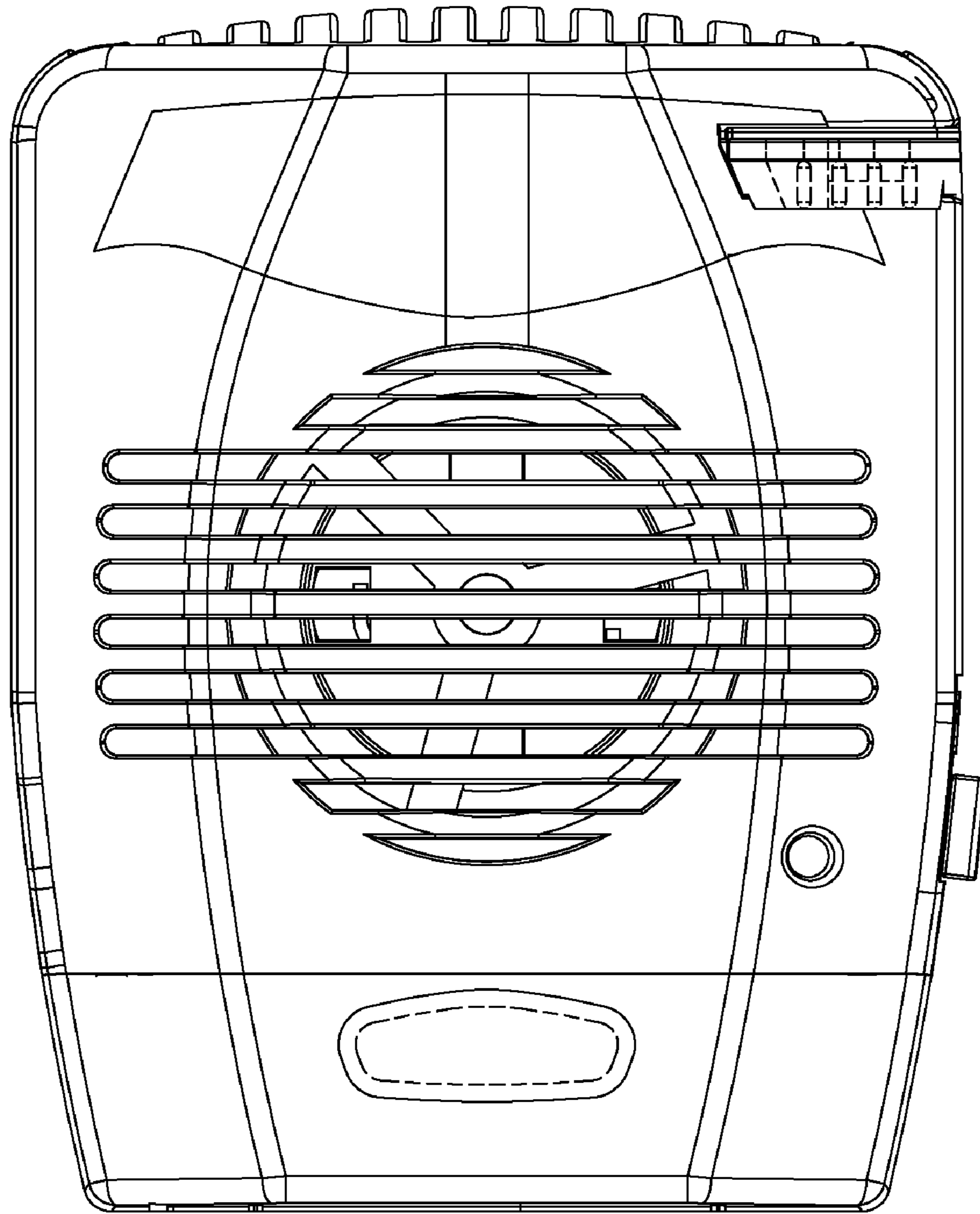


FIG. 3

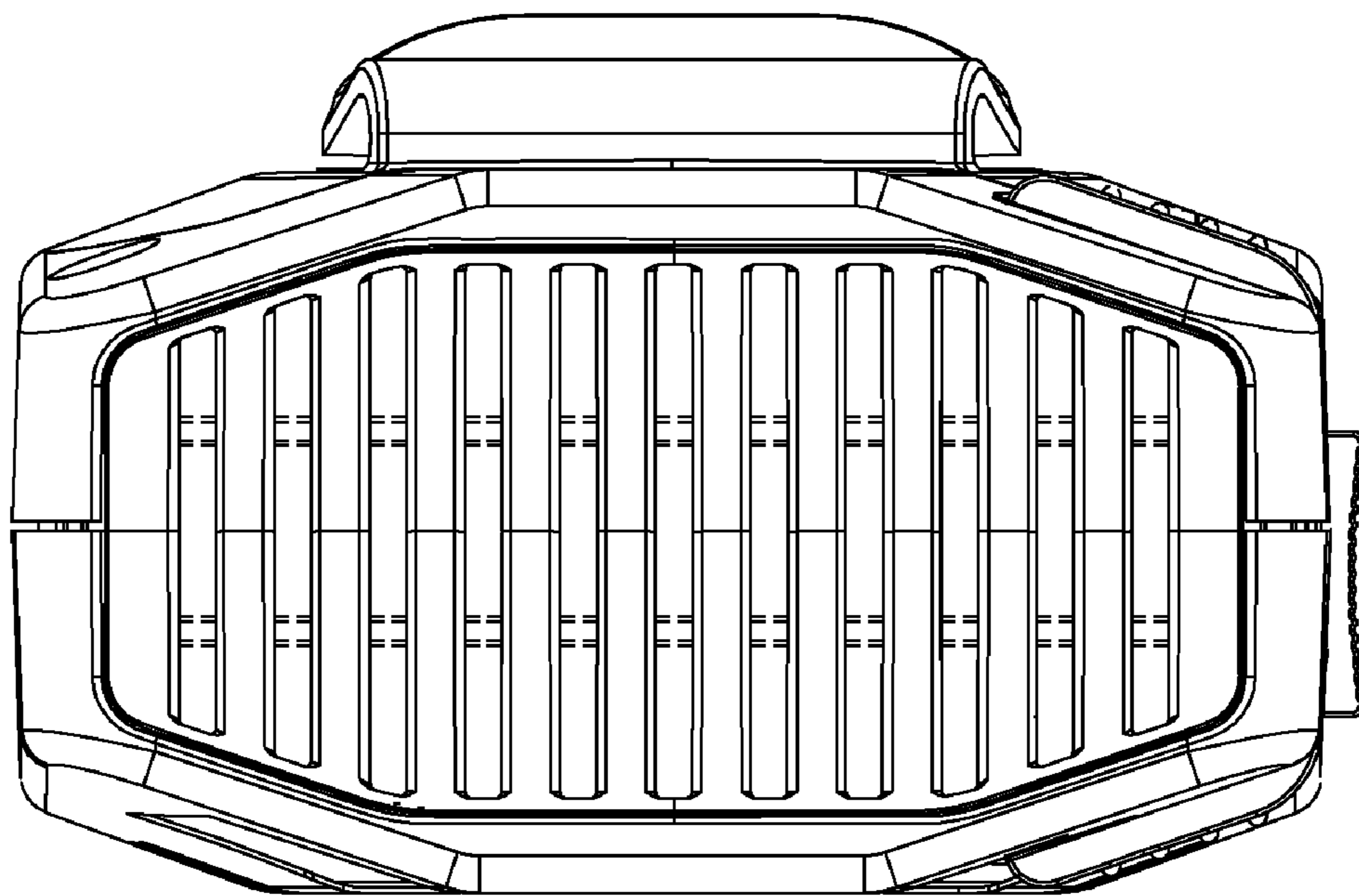


FIG. 4

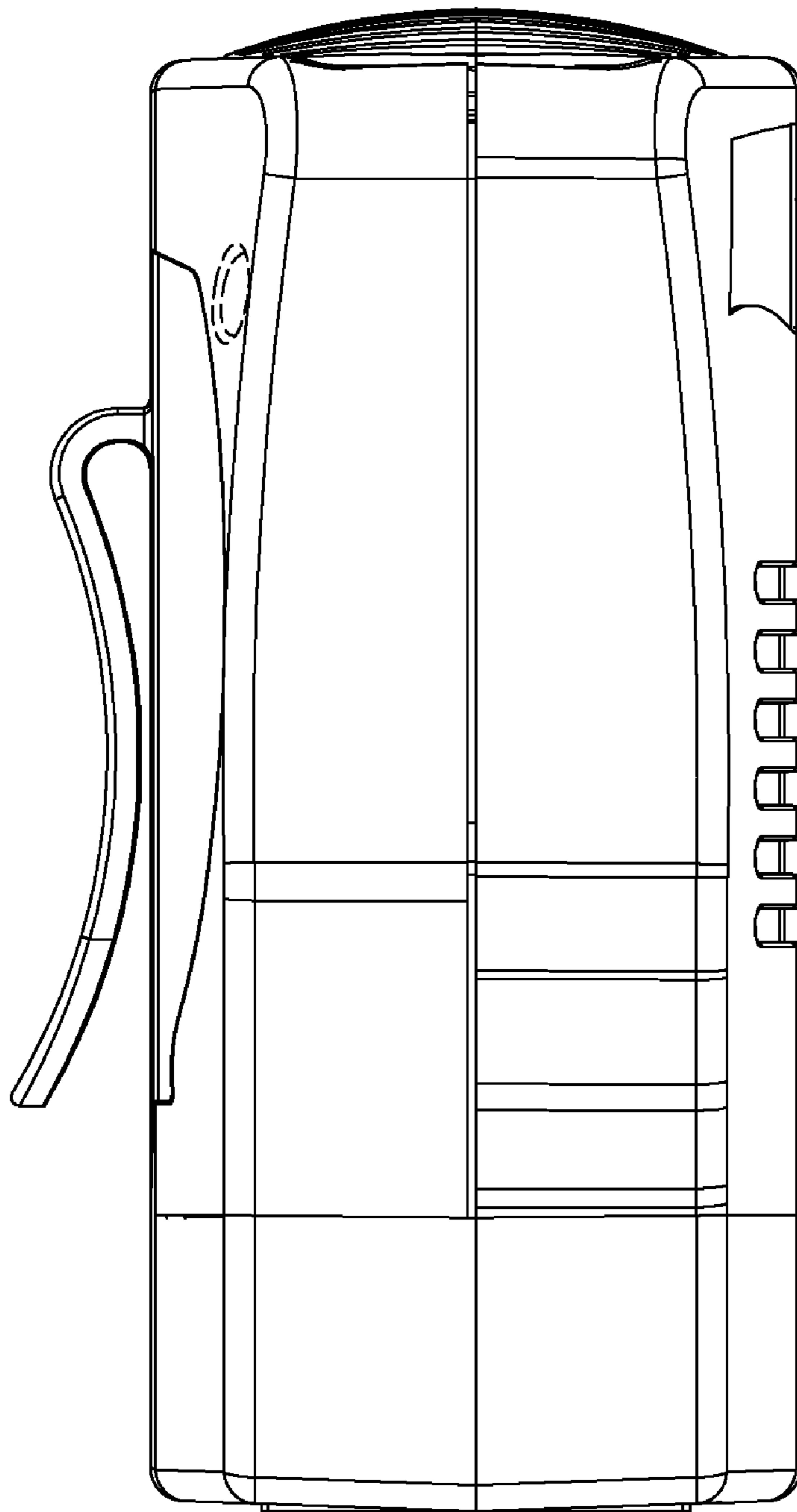


FIG. 5

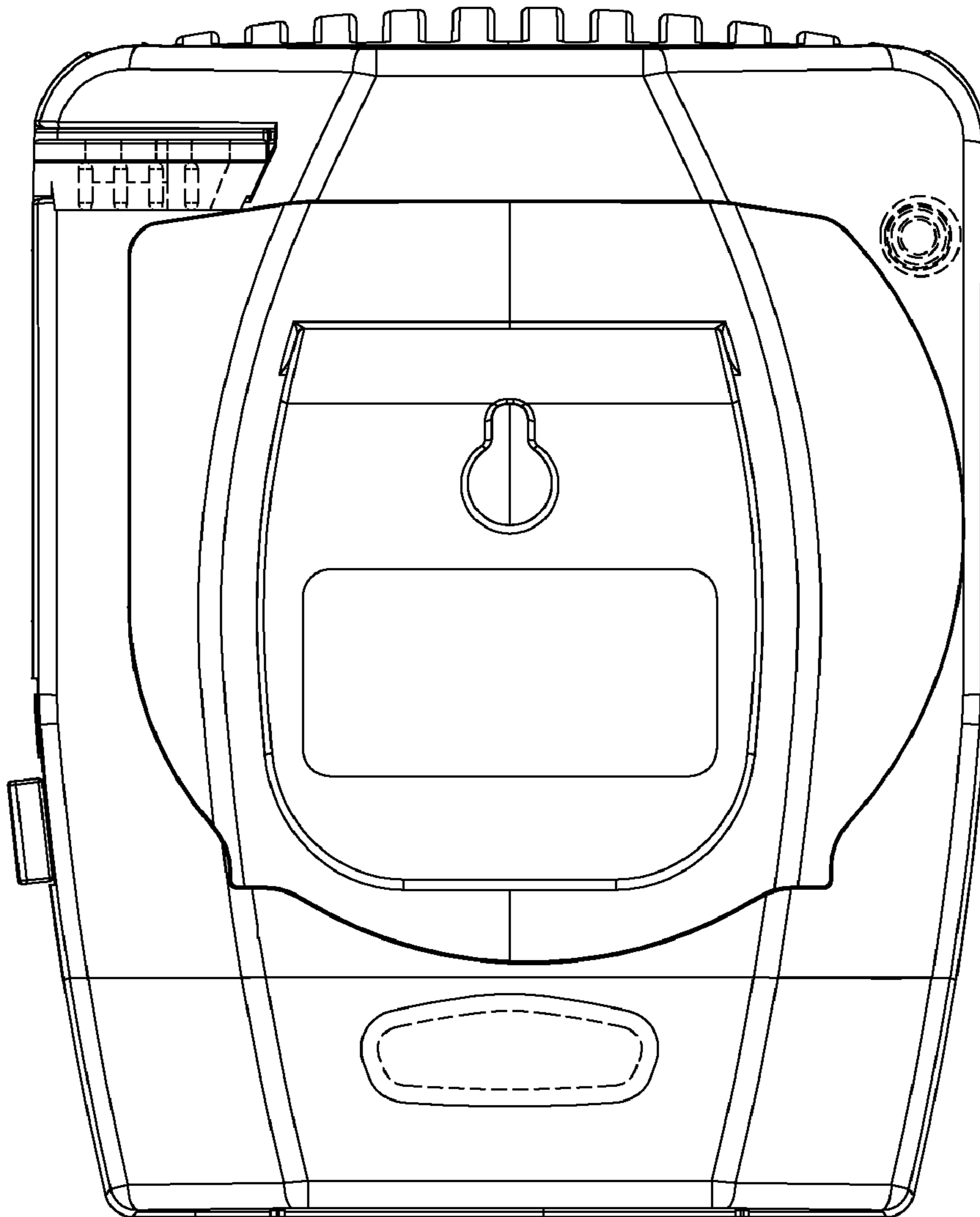


FIG. 6

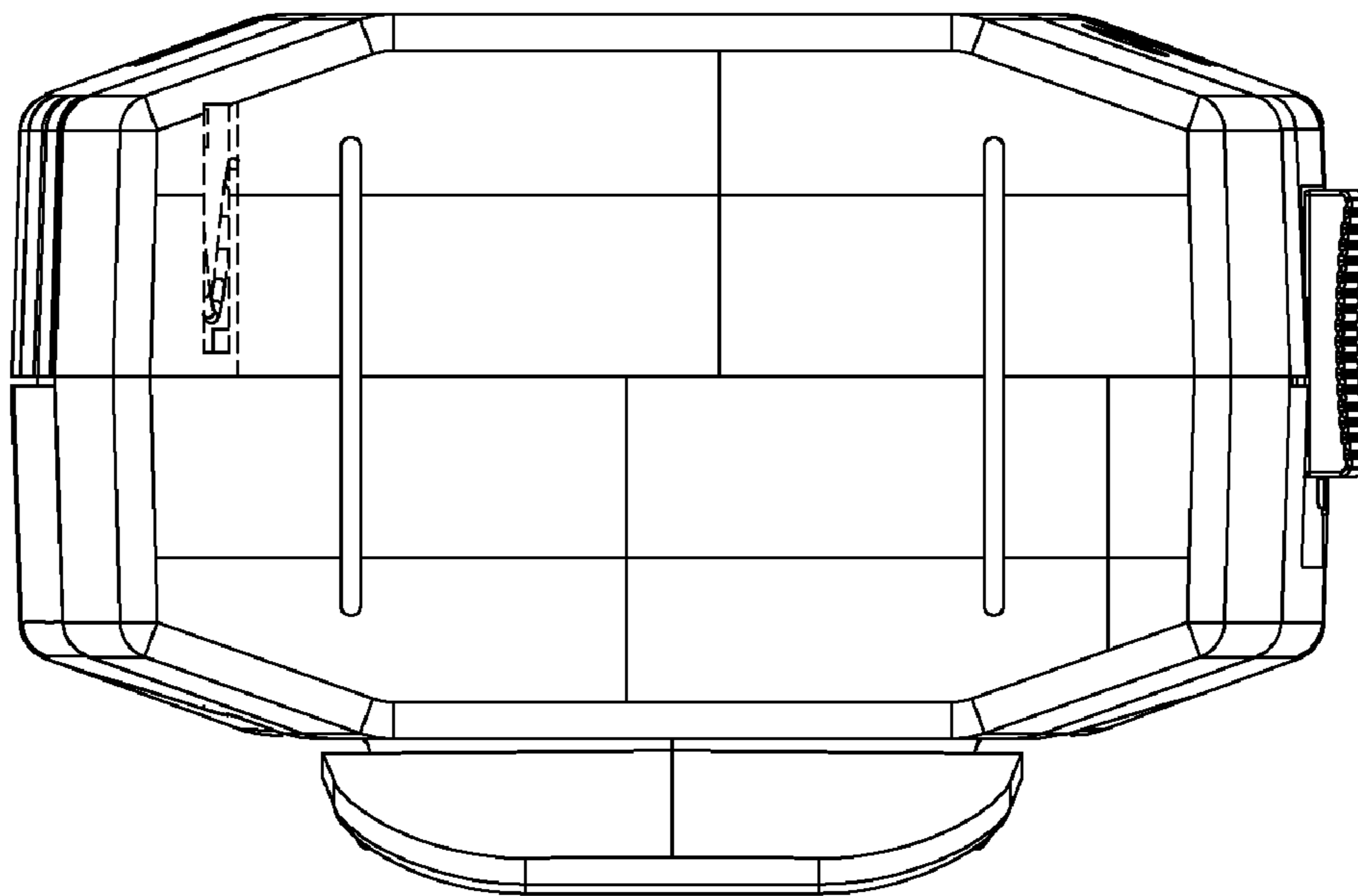


FIG. 7

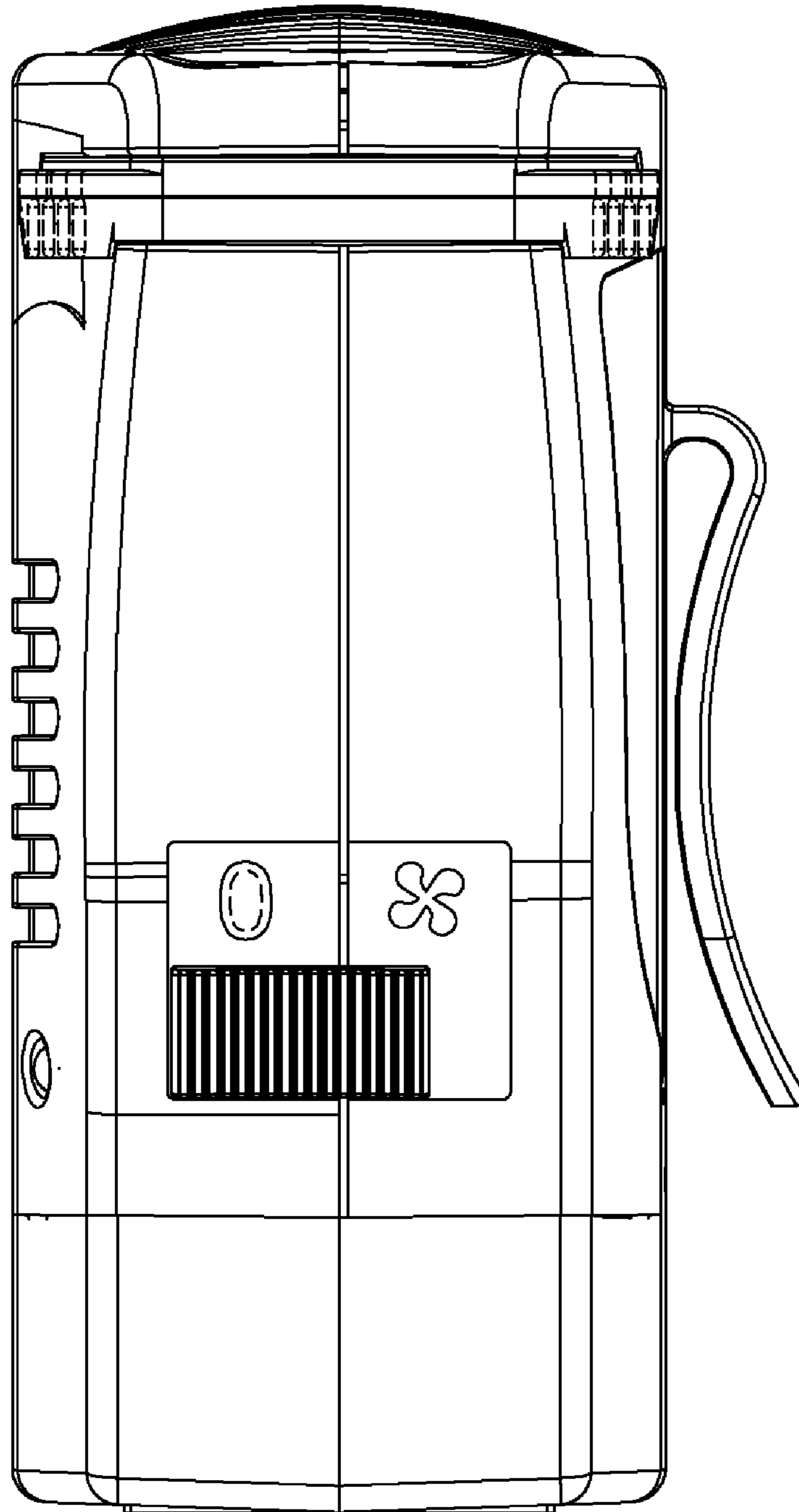


FIG. 8