



US00D609317S

(12) **United States Design Patent**  
**Mattis et al.**

(10) **Patent No.:** **US D609,317 S**  
(45) **Date of Patent:** **\*\* Feb. 2, 2010**

(54) **OVEN**

(75) Inventors: **Hans-Werner Mattis**, Darmstadt (DE);  
**Eberhard Friemel**, Darmstadt (DE);  
**Joseph Michael Neustifter**,  
Eggenfelden (DE)

(73) Assignee: **Ulrich Brunner GmbH**, Eggenfelden  
(DE)

(\*\*) Term: **14 Years**

(21) Appl. No.: **29/311,958**

(22) Filed: **Aug. 7, 2009**

**Related U.S. Application Data**

(60) Continuation-in-part of application No. 29/309,340,  
filed on Jul. 29, 2008, which is a division of application  
No. 29/287,747, filed on Sep. 14, 2007.

(51) **LOC (9) Cl.** ..... **23-01**

(52) **U.S. Cl.** ..... **D23/346**

(58) **Field of Classification Search** ..... D23/346;  
D7/339, 340, 348; 126/39 R, 60, 65, 19 R,  
126/39 B, 211, 214 R, 39 C; 219/391-392  
See application file for complete search history.

(56) **References Cited**

**U.S. PATENT DOCUMENTS**

D64,307 S \* 3/1924 O'Dowd ..... D7/340  
D86,123 S \* 2/1932 Hobson ..... D7/340

D112,135 S \* 11/1938 Tullis ..... D7/340  
D116,954 S \* 10/1939 Heym ..... D7/340  
D117,946 S \* 12/1939 Criddle ..... D7/340  
4,394,857 A \* 7/1983 Iannone ..... 126/60  
D397,776 S \* 9/1998 Heger ..... D23/347  
D408,072 S \* 4/1999 Smith et al. .... D23/350

\* cited by examiner

*Primary Examiner*—T. Chase Nelson

*Assistant Examiner*—Eric L Goodman

(74) *Attorney, Agent, or Firm*—Duane Morris LLP

(57) **CLAIM**

The ornamental design for an oven, as shown and described.

**DESCRIPTION**

FIG. 1 is a first perspective view as seen from the top, front  
and right sides, showing my new design;

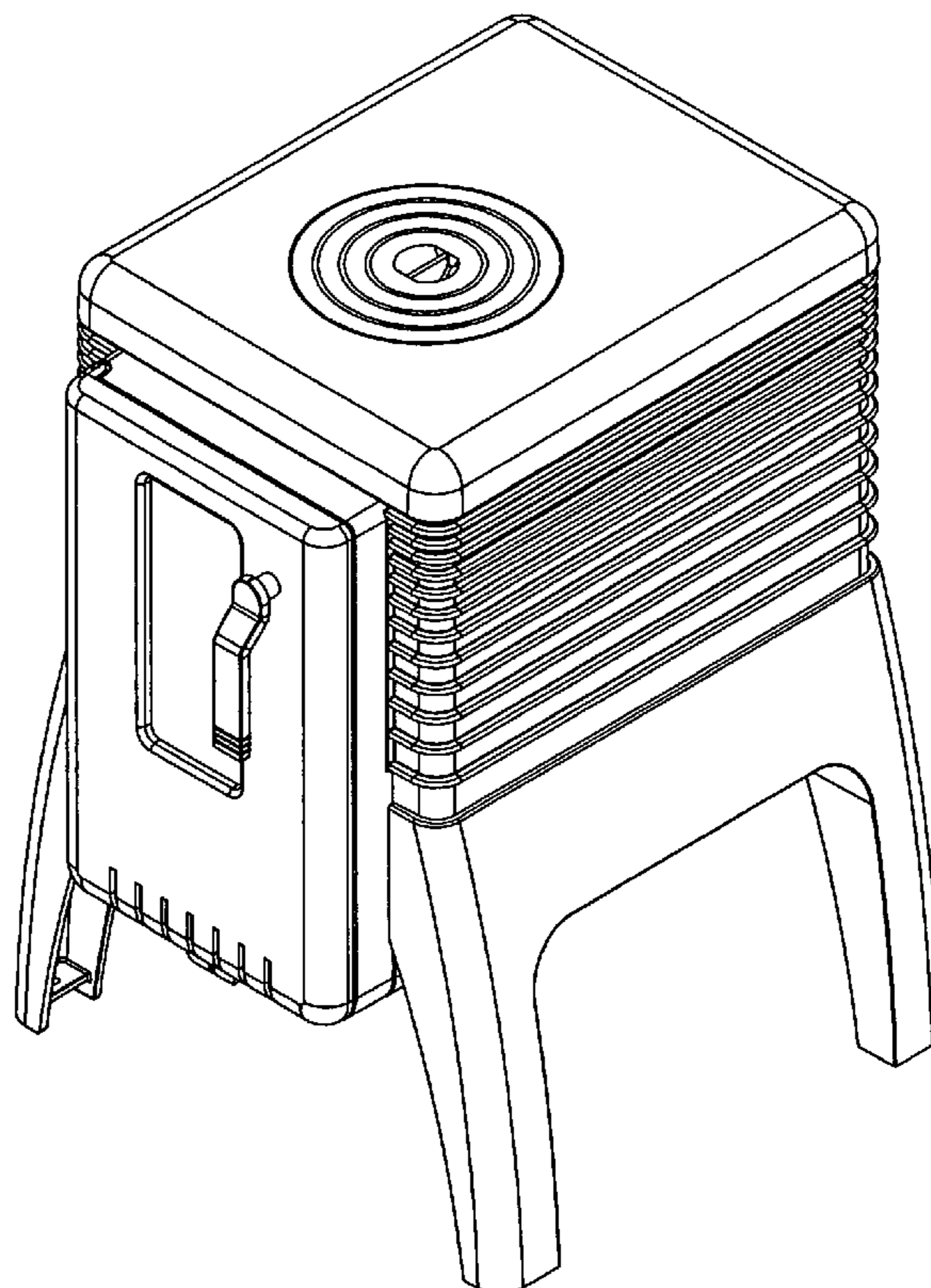
FIG. 2 is a front elevational view thereof;

FIG. 3 is a second perspective view as seen from the top side  
thereof;

FIG. 4 is a right side elevational view thereof; and,

FIG. 5 is a left side elevational view thereof.

**1 Claim, 5 Drawing Sheets**



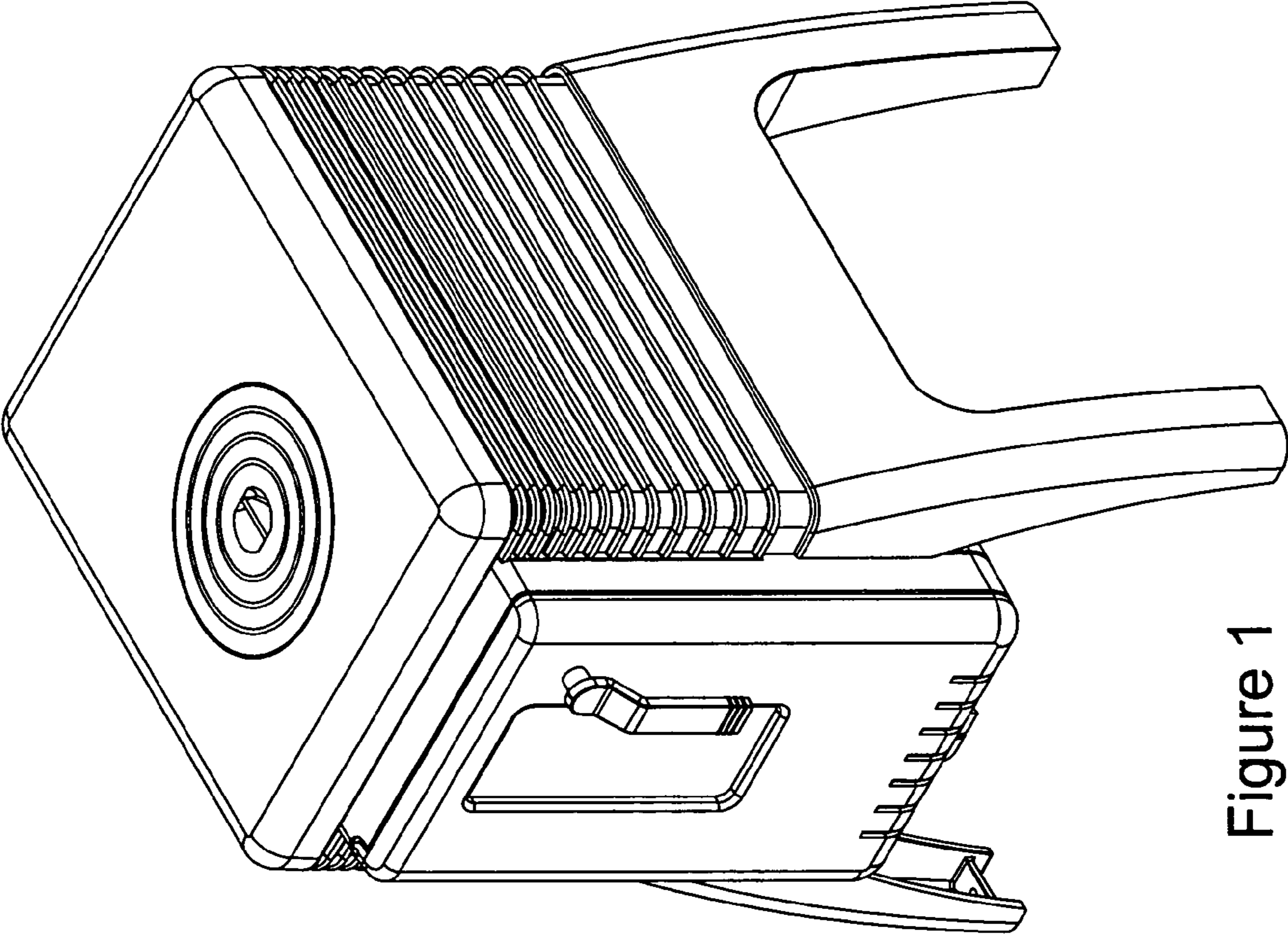


Figure 1

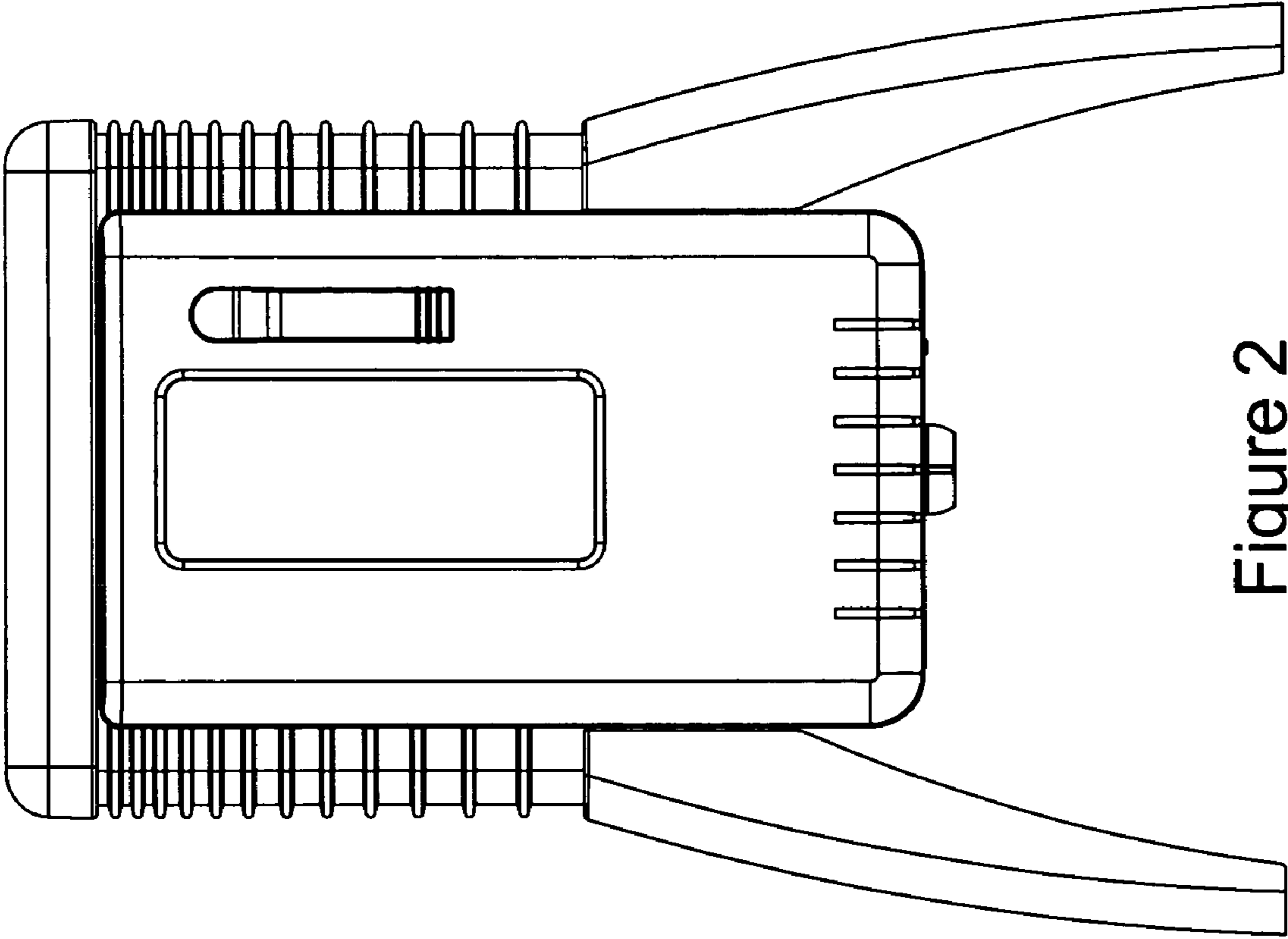


Figure 2

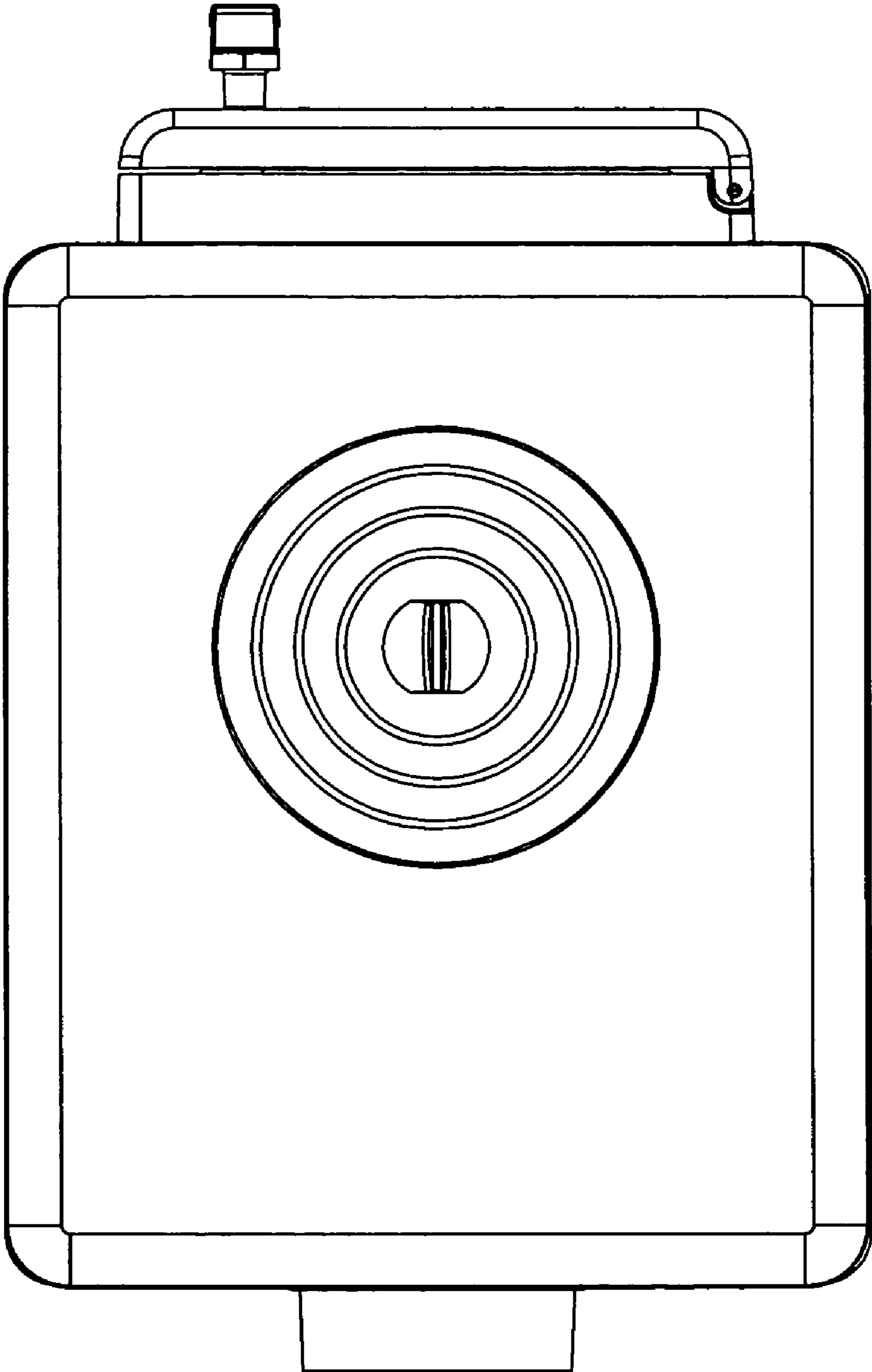


Figure 3

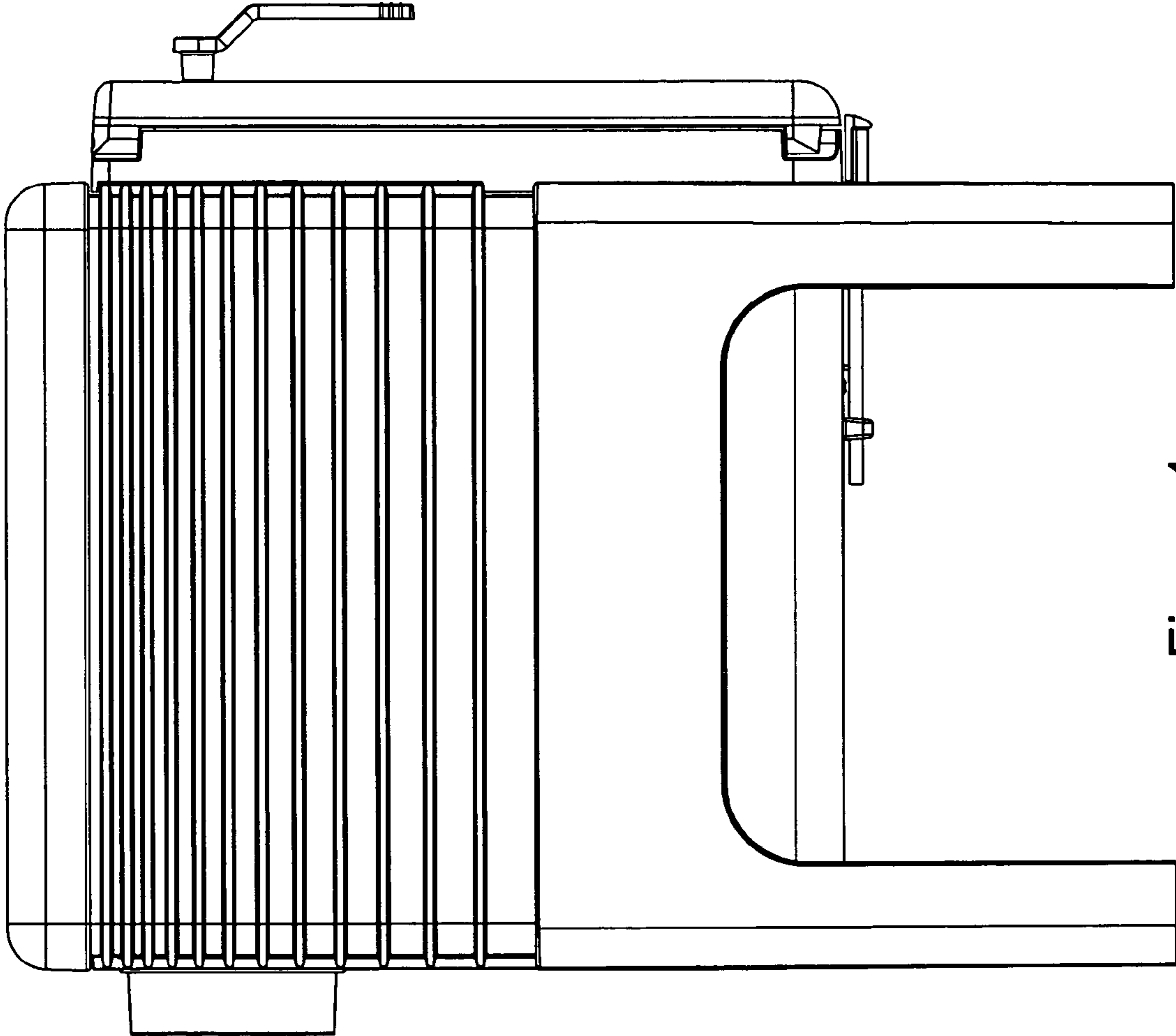


Figure 4

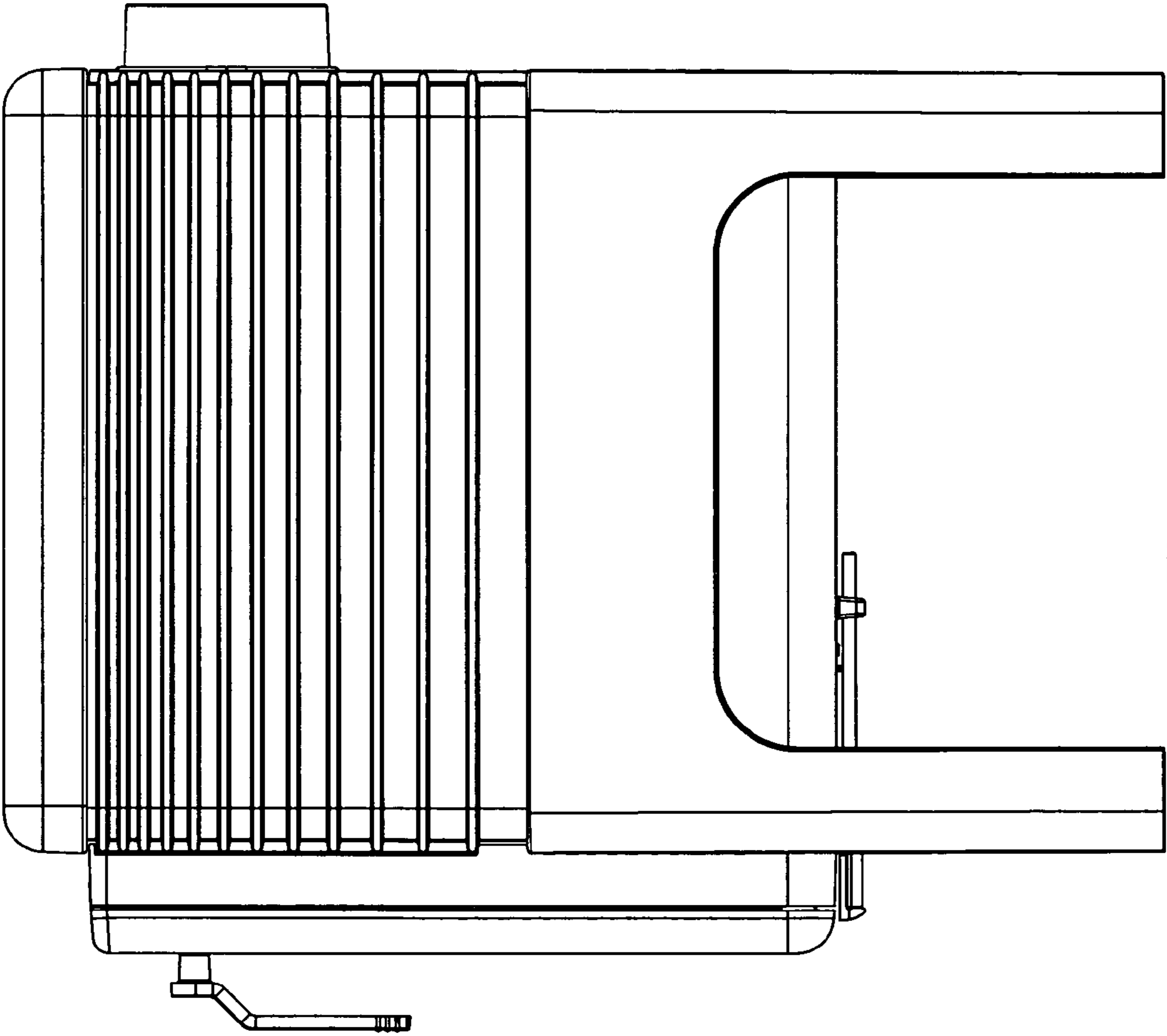


Figure 5