



US00D609313S

(12) **United States Design Patent**  
**Lin**

(10) **Patent No.:** **US D609,313 S**

(45) **Date of Patent:** **\*\* Feb. 2, 2010**

(54) **WATER HOSE**

(76) Inventor: **Ting-I Lin**, 5F, No. 92-1, Chong-Hsin Road, Chan-Hwa City (TW)

(\*\*) Term: **14 Years**

(21) Appl. No.: **29/334,647**

(22) Filed: **Mar. 30, 2009**

(51) **LOC (9) Cl.** ..... **23-01**

(52) **U.S. Cl.** ..... **D23/266**

(58) **Field of Classification Search** ..... D23/259-269,  
D23/285, 303, 337, 356; 138/109, 110, 119,  
138/124, 128, 134, 135, 137-146, DIG. 8;  
239/542

See application file for complete search history.

(56) **References Cited**

**U.S. PATENT DOCUMENTS**

3,774,850	A *	11/1973	Zeman	.....	239/542
4,756,339	A *	7/1988	Buluschek	.....	138/115
4,807,668	A *	2/1989	Roberts	.....	138/103
5,957,391	A *	9/1999	DeFrank et al.	.....	239/542
D475,439	S *	6/2003	Lin	.....	D23/266
D498,825	S *	11/2004	Fu	.....	D23/266
2008/0210785	A1 *	9/2008	Hou et al.	.....	239/542
2009/0084458	A1 *	4/2009	Lin	.....	138/128

\* cited by examiner

*Primary Examiner*—Daniel D Bui

*Assistant Examiner*—Thomas J Johannes

(74) *Attorney, Agent, or Firm*—WPAT, P.C.; Anthony King

(57) **CLAIM**

The ornamental design for water hose, as shown and described.

**DESCRIPTION**

FIG. 1 is a perspective view of water hose showing my new design;

FIG. 2 is a front elevational view thereof;

FIG. 3 is a rear elevational view thereof;

FIG. 4 is a left elevational view thereof;

FIG. 5 is a right elevational view thereof;

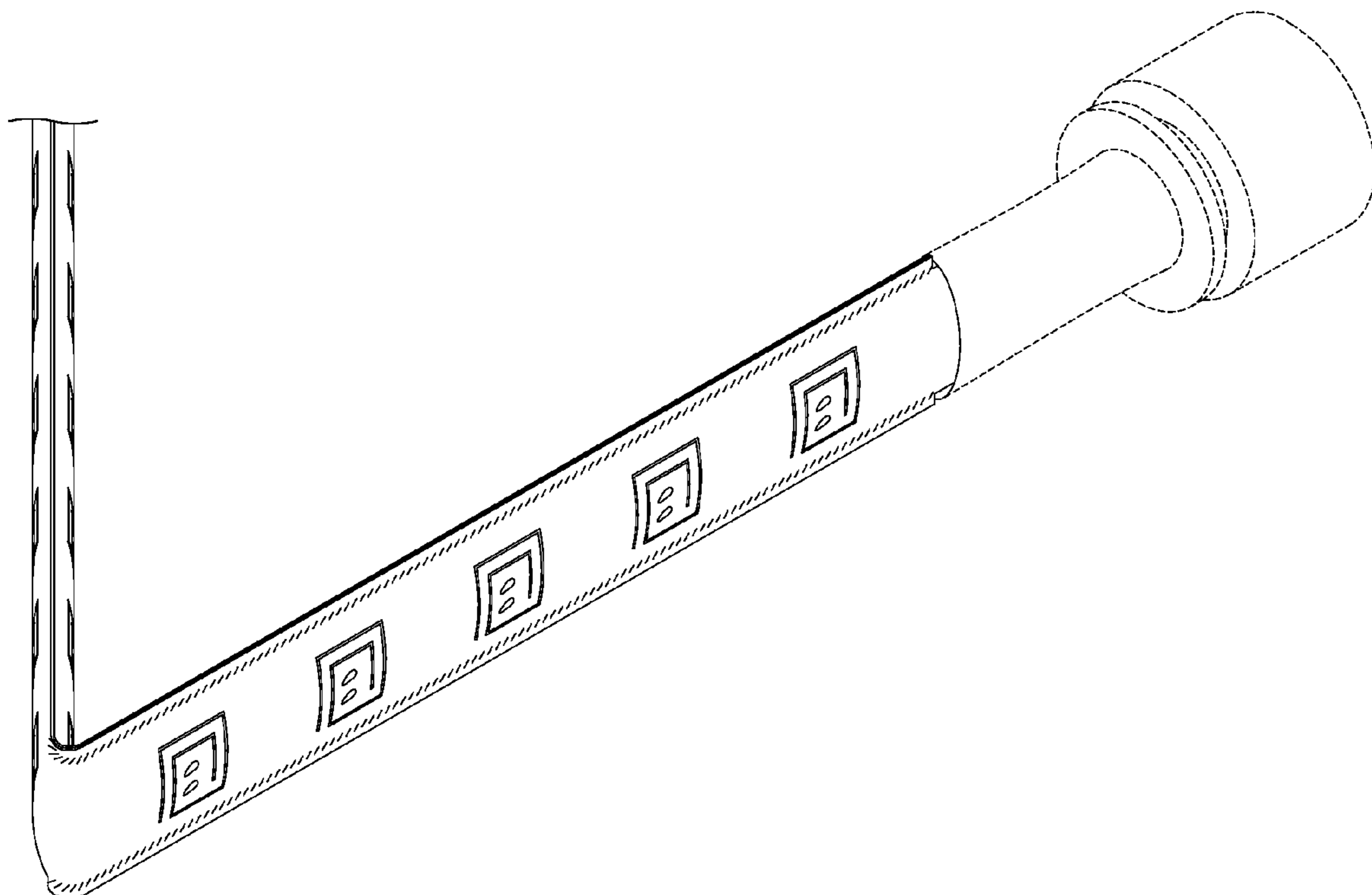
FIG. 6 is a top view thereof; and,

FIG. 7 is a bottom thereof view.

The water hose is shown broken away with solid, wavy, cut-off line in the figures to indicate that no specific length is being claimed—it is understood that the interrupted portion of the water hose has a uniform shape and appearance throughout its length.

The broken line portion of the figure drawings is included to show unclaimed subject matter only and forms no part of the claimed design.

**1 Claim, 7 Drawing Sheets**



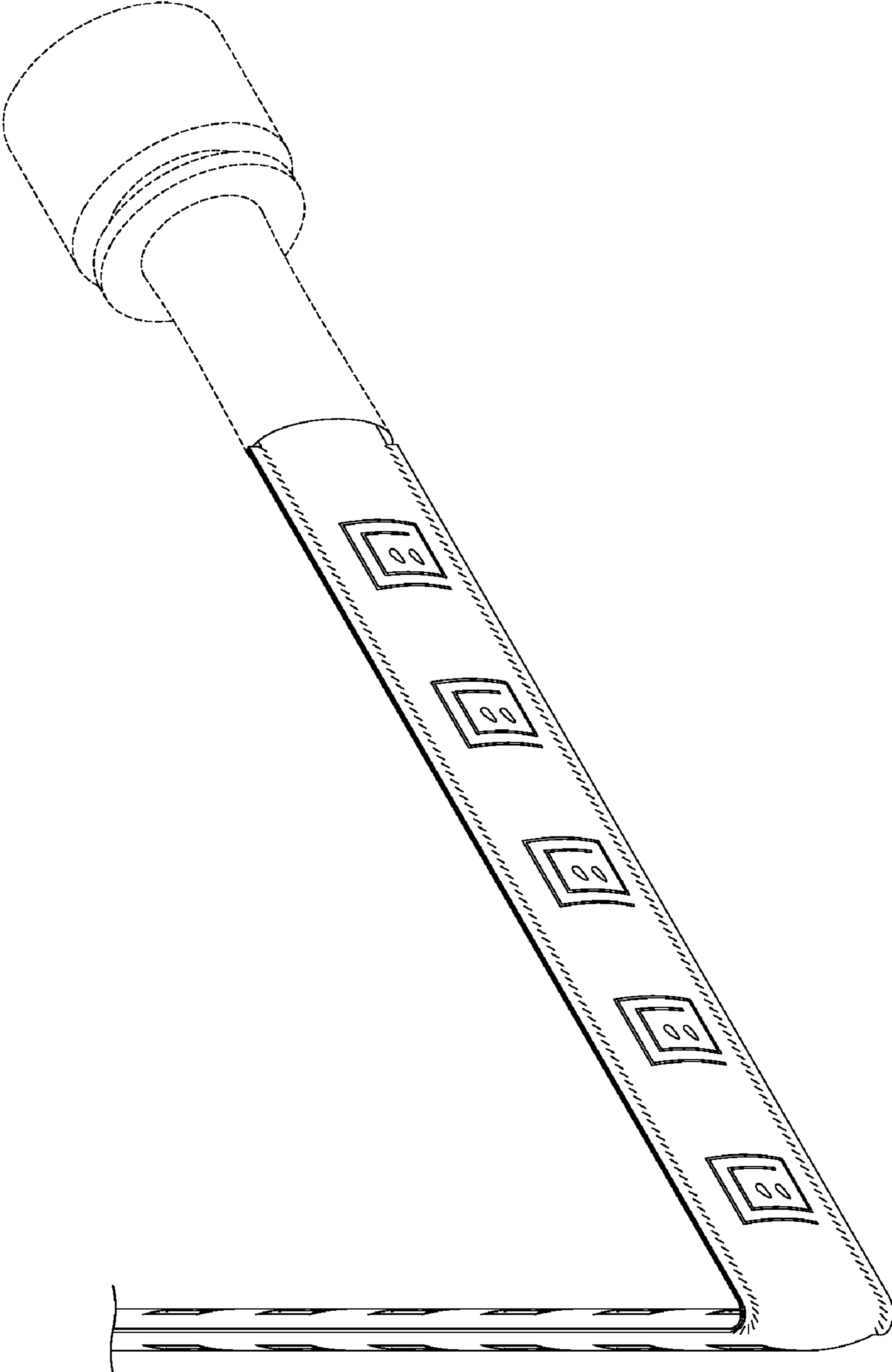
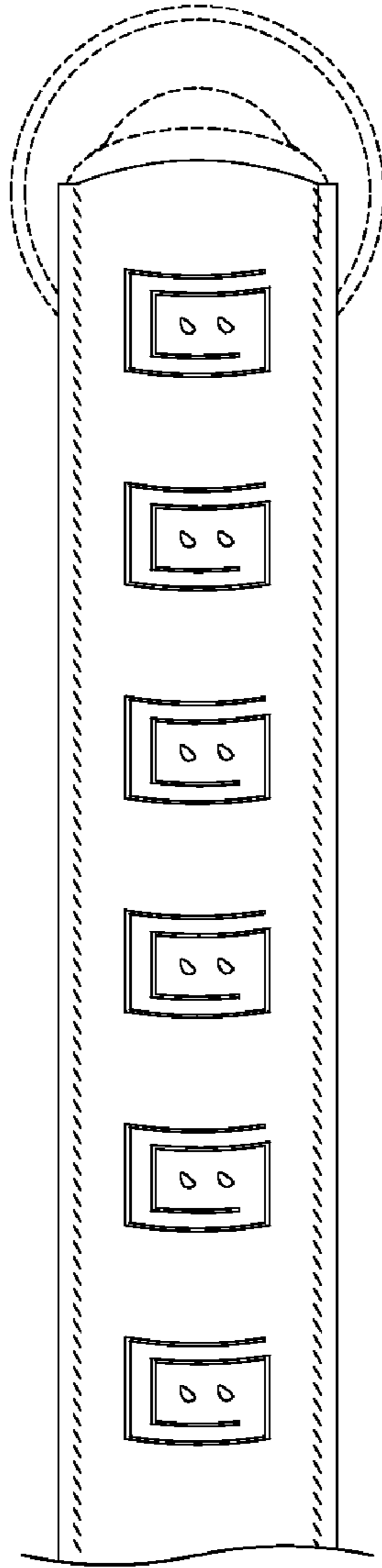


FIG. 1



**FIG. 2**

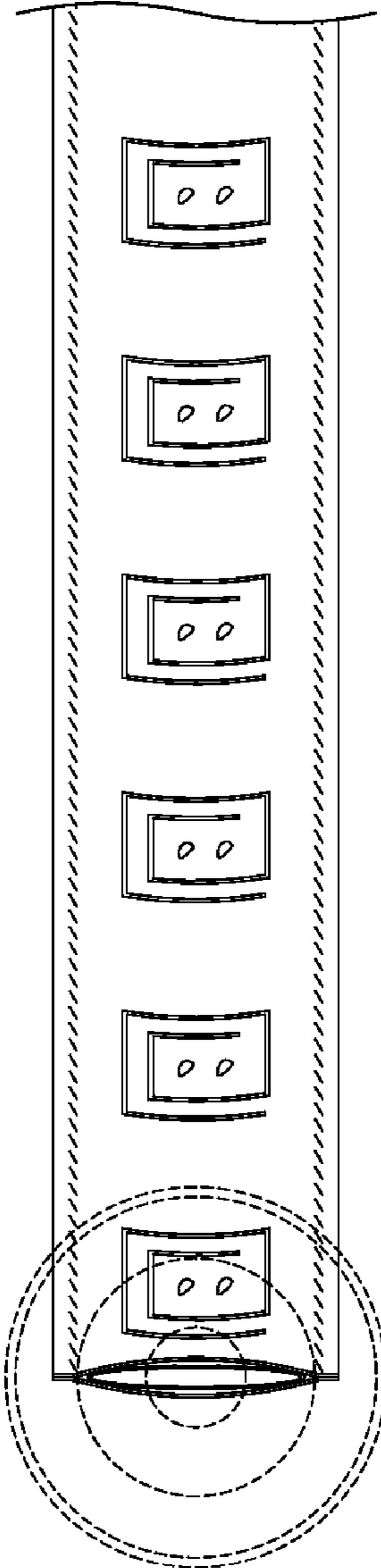


FIG. 3

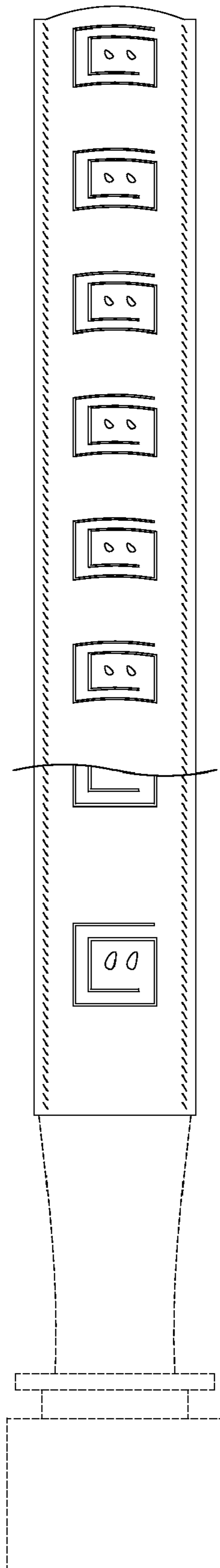
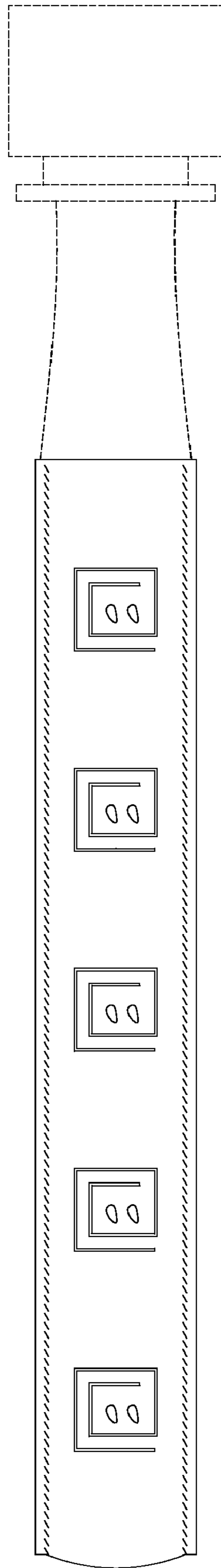


FIG. 4



**FIG. 5**

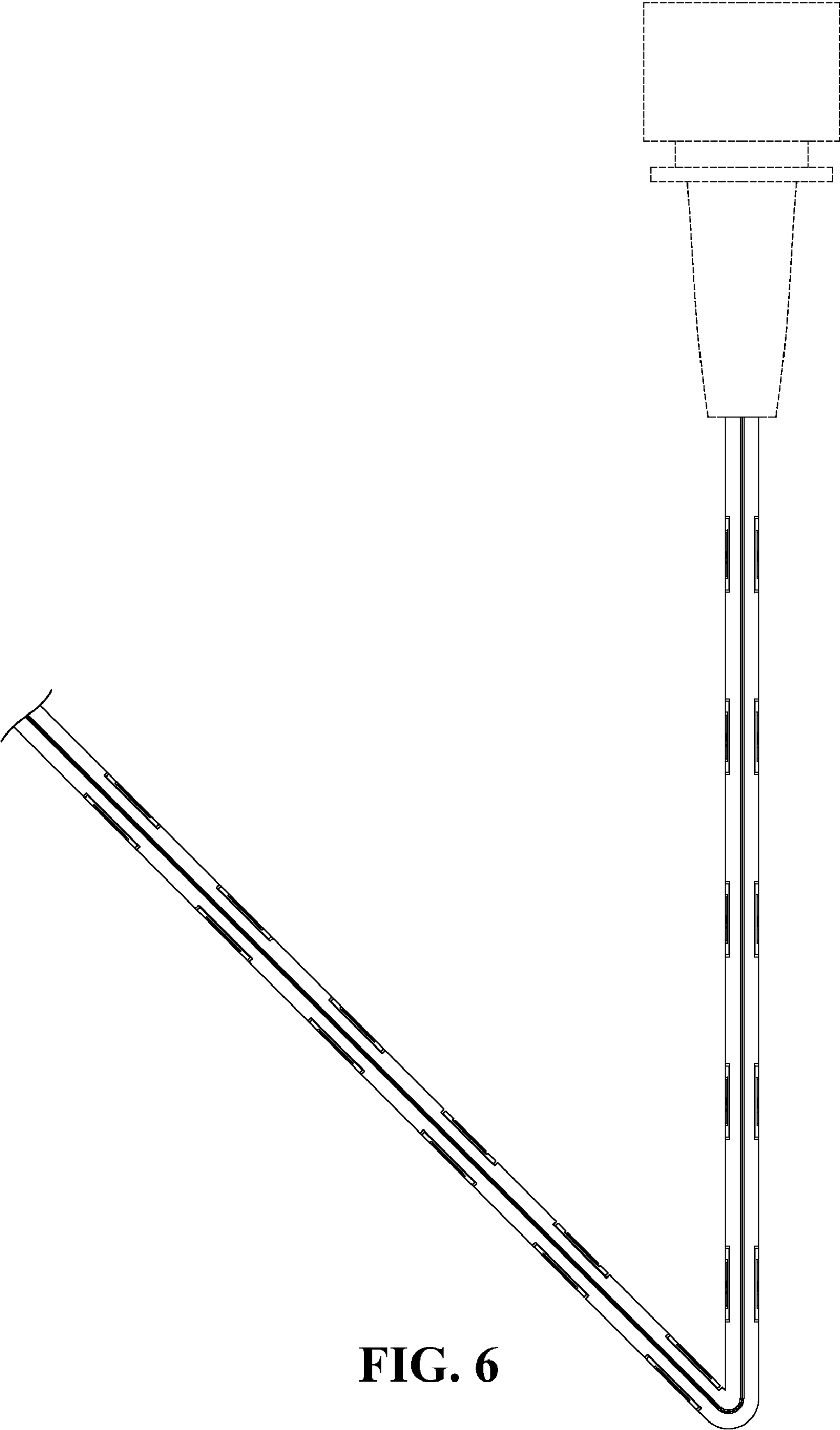
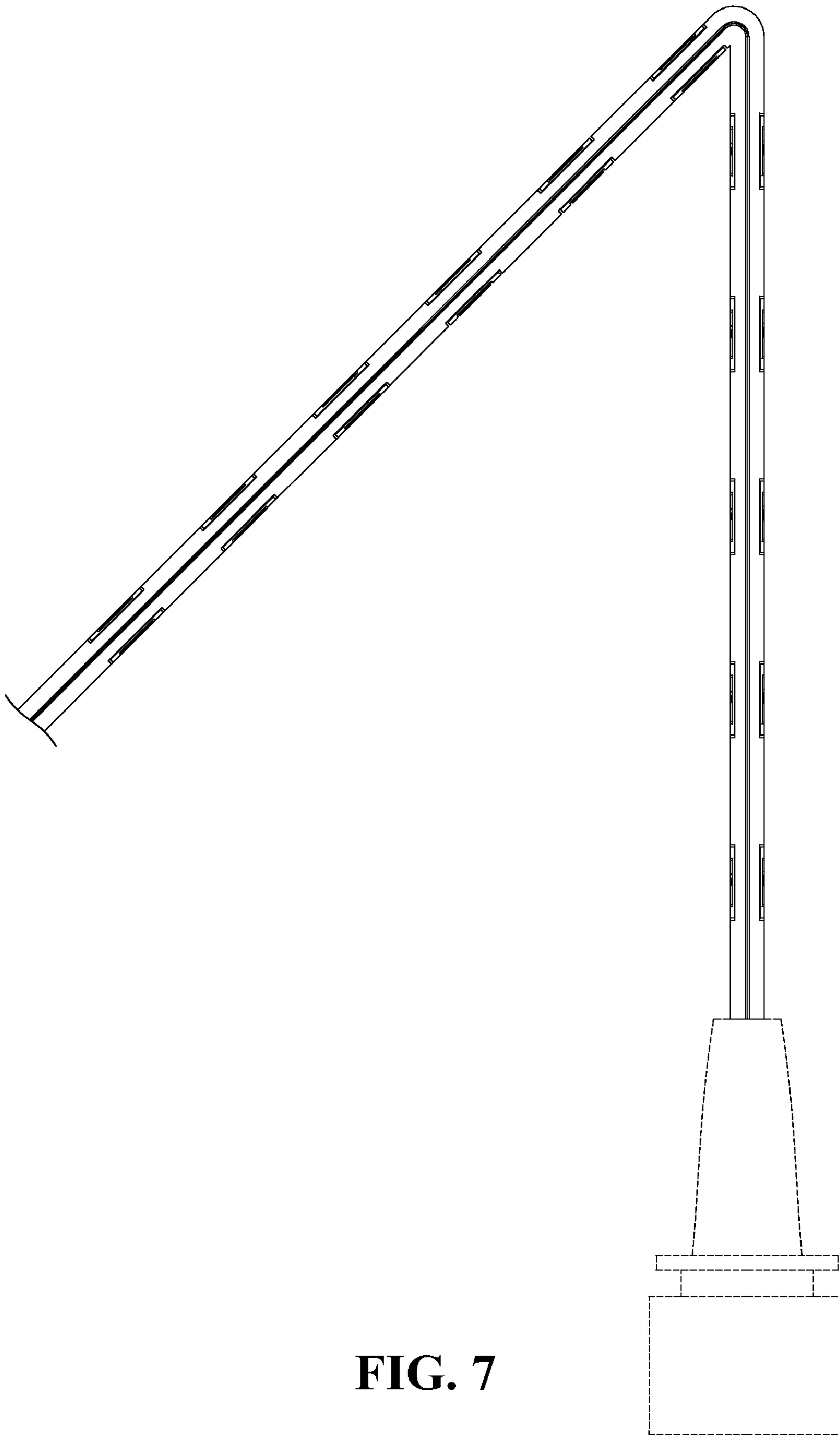


FIG. 6



**FIG. 7**