

US00D609312S

(12) **United States Design Patent**  
**Porter et al.**

(10) **Patent No.:** **US D609,312 S**  
(45) **Date of Patent:** **\*\* Feb. 2, 2010**

(54) **REVERSED V-INTERFACE COUPLING**

(75) Inventors: **Michael V. Porter**, Easton, PA (US);  
**Torrey G. Sipos**, Catasauqua, PA (US);  
**William A. Nagle**, Laureldale, PA (US)

(73) Assignee: **Victaulic Company**, Easton, PA (US)

(\*\*) Term: **14 Years**

(21) Appl. No.: **29/340,845**

(22) Filed: **Jul. 27, 2009**

**Related U.S. Application Data**

(62) Division of application No. 29/331,497, filed on Jan. 27, 2009.

(51) **LOC (9) Cl.** ..... **23-01**

(52) **U.S. Cl.** ..... **D23/262**

(58) **Field of Classification Search** ..... D23/259–269;  
285/11–12, 7, 177, 394–395, 307, 358, 179–183,  
285/423, 356, 303, 337

See application file for complete search history.

(56) **References Cited**

**U.S. PATENT DOCUMENTS**

2,020,554	A *	11/1935	Johnson	.....	285/383
2,752,173	A *	6/1956	Krooss	.....	285/232
3,189,969	A *	6/1965	Sweet	.....	24/279
3,756,629	A *	9/1973	Gibb	.....	285/112
D558,307	S	12/2007	Gibb et al.	.....	D23/265
D560,764	S	1/2008	Gibb et al.	.....	D23/265
D568,451	S	5/2008	Gibb et al.	.....	D23/262
D568,970	S	5/2008	Gibb et al.	.....	D23/262
D570,458	S	6/2008	Gibb et al.	.....	D23/262
7,401,819	B2 *	7/2008	Gibb et al.	.....	285/373

D583,444	S *	12/2008	Nagle et al.	.....	D23/262
D583,914	S *	12/2008	Pierce et al.	.....	D23/262
D583,916	S *	12/2008	Madara et al.	.....	D23/265
D588,971	S	3/2009	Gibb et al.	.....	D23/262
D600,325	S	9/2009	Porter et al.	.....	
2004/0036291	A1 *	2/2004	Dole	.....	285/367
2005/0253383	A1 *	11/2005	Gibb et al.	.....	285/112
2008/0048444	A1 *	2/2008	Porter et al.	.....	285/367
2008/0272595	A1 *	11/2008	Gibb et al.	.....	285/337

\* cited by examiner

*Primary Examiner*—T. Chase Nelson

*Assistant Examiner*—Eric L Goodman

(74) *Attorney, Agent, or Firm*—Ballard Spahr LLP

(57) **CLAIM**

We claim the ornamental design for a reversed V-interface coupling, as shown and described.

**DESCRIPTION**

FIG. 1 is an isometric view of our design for a reversed V-interface coupling;

FIG. 2 is a front view of the design for a reversed V-interface coupling shown in FIG. 1, the rear view being identical;

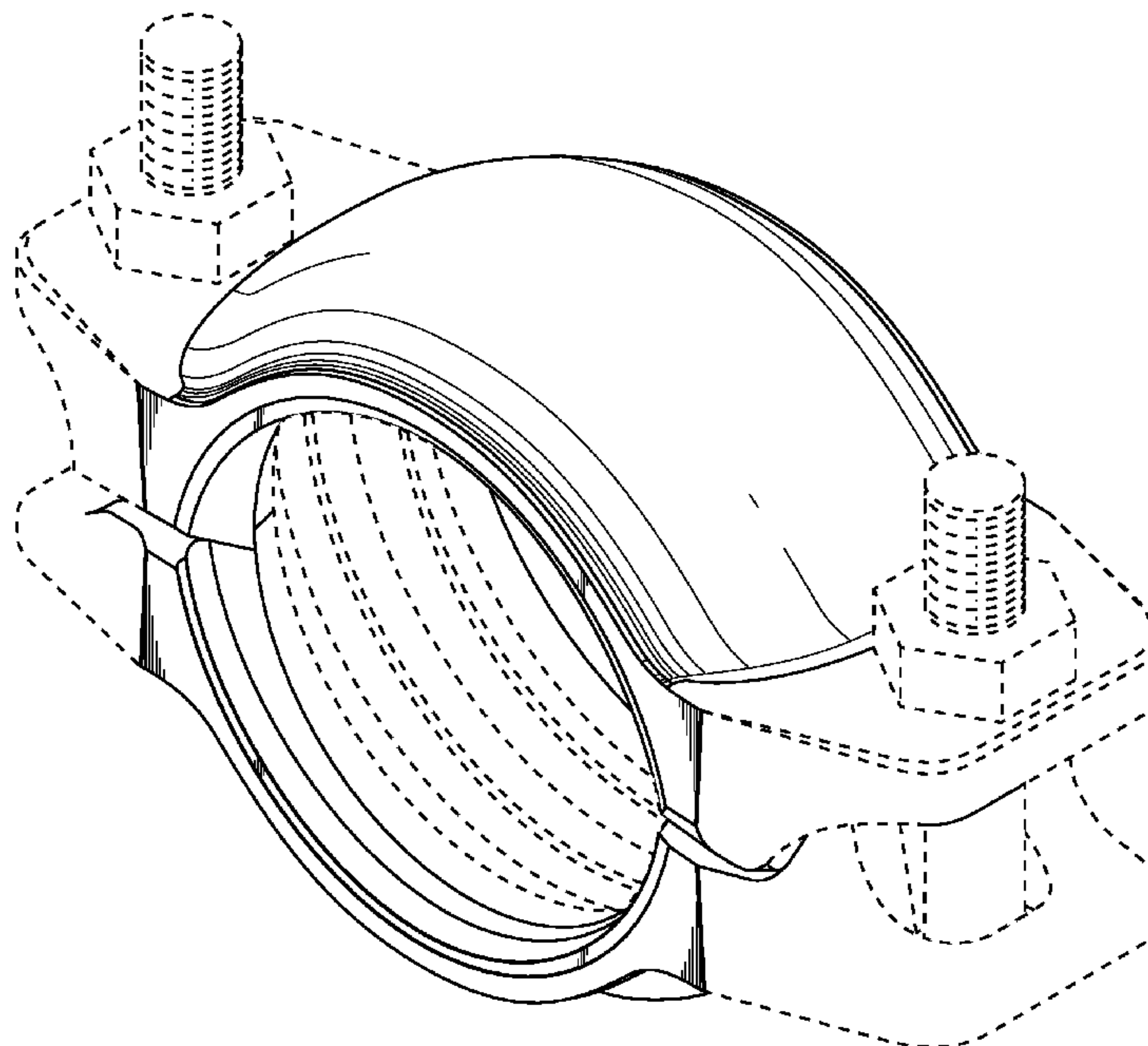
FIG. 3 is a top view of the design for a reversed V-interface coupling shown in FIG. 1;

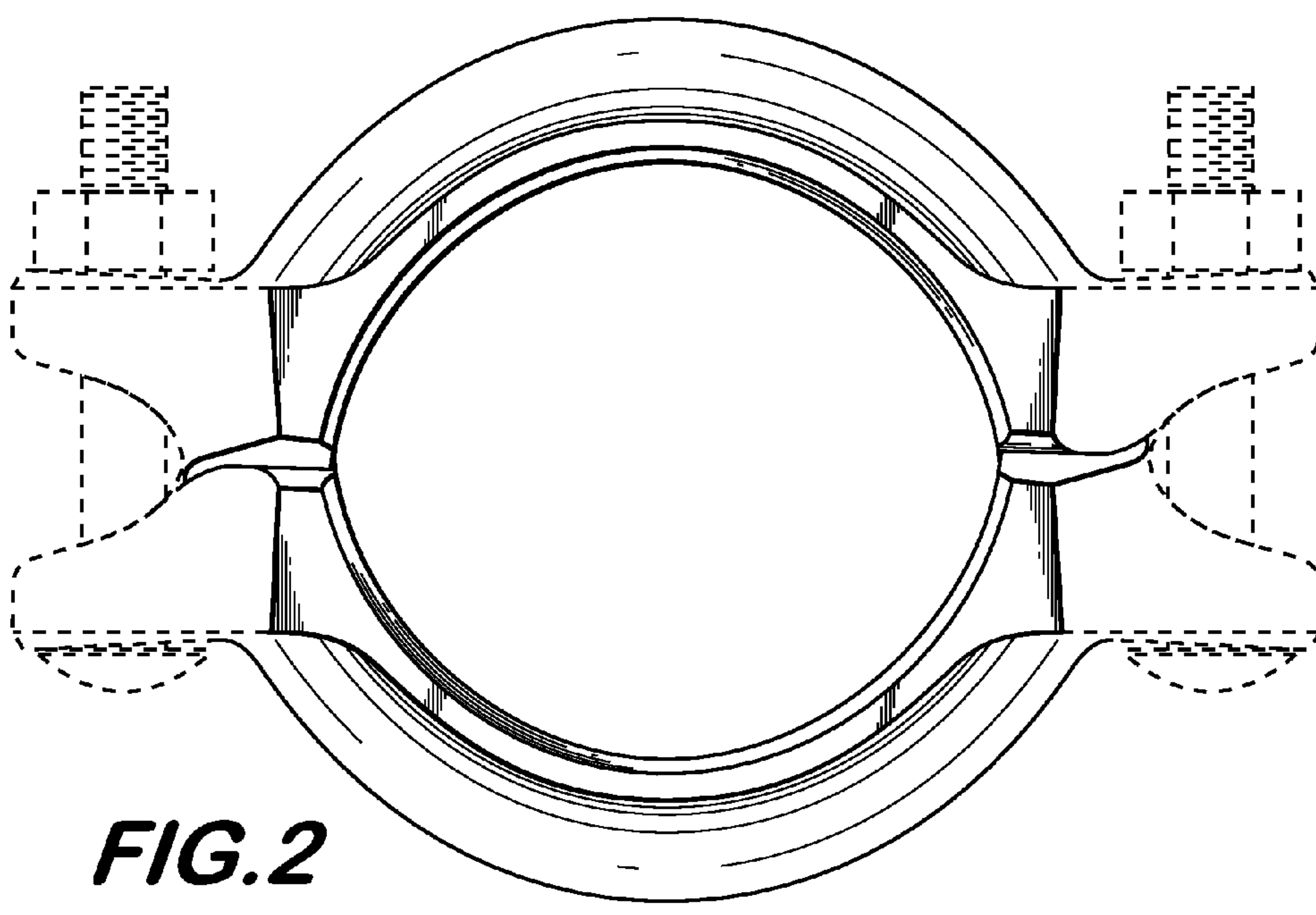
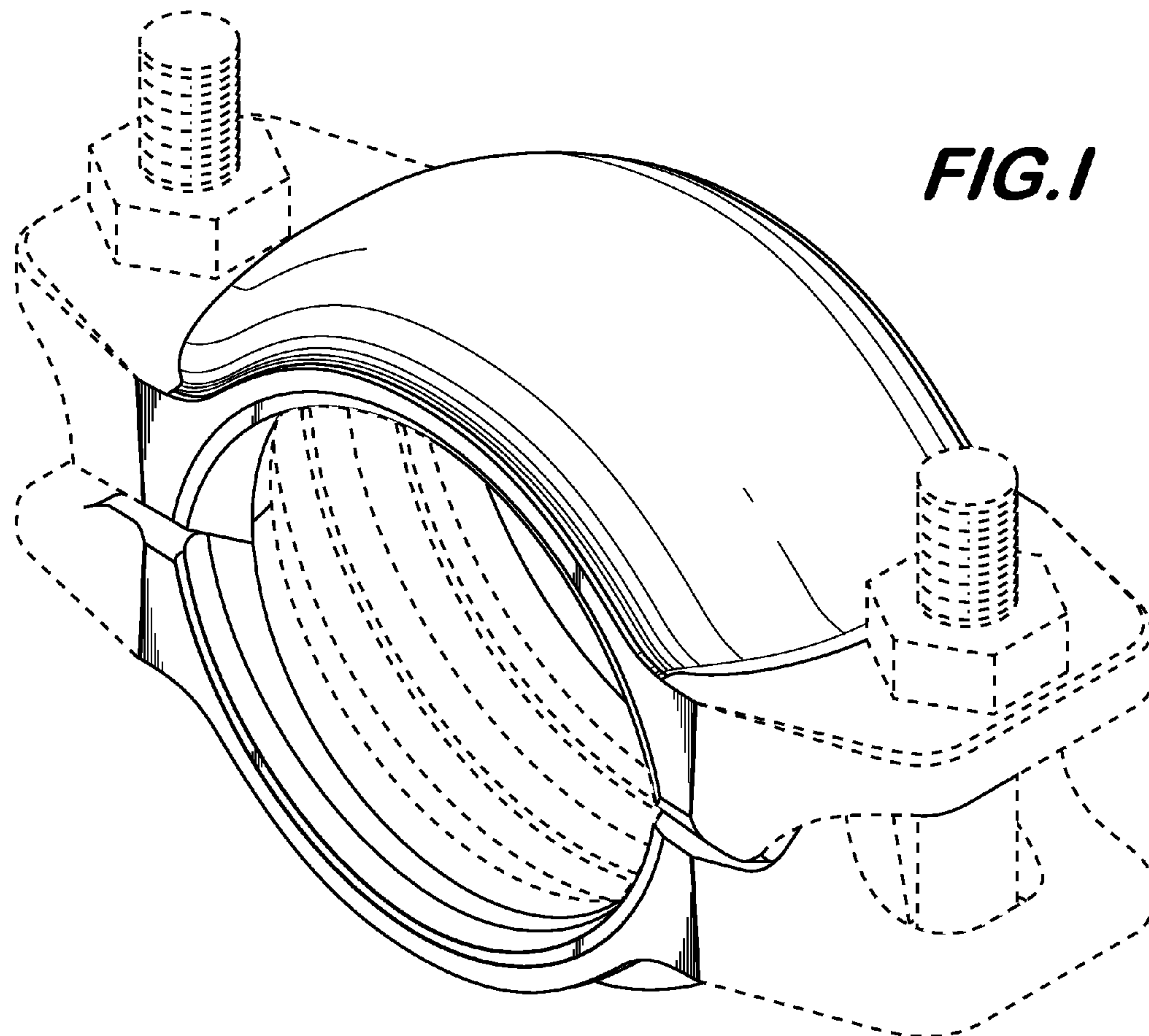
FIG. 4 is a bottom view of the design for a reversed V-interface coupling shown in FIG. 1; and,

FIG. 5 is a left side view of the design for a reversed V-interface coupling shown in FIG. 1, the right side view being identical.

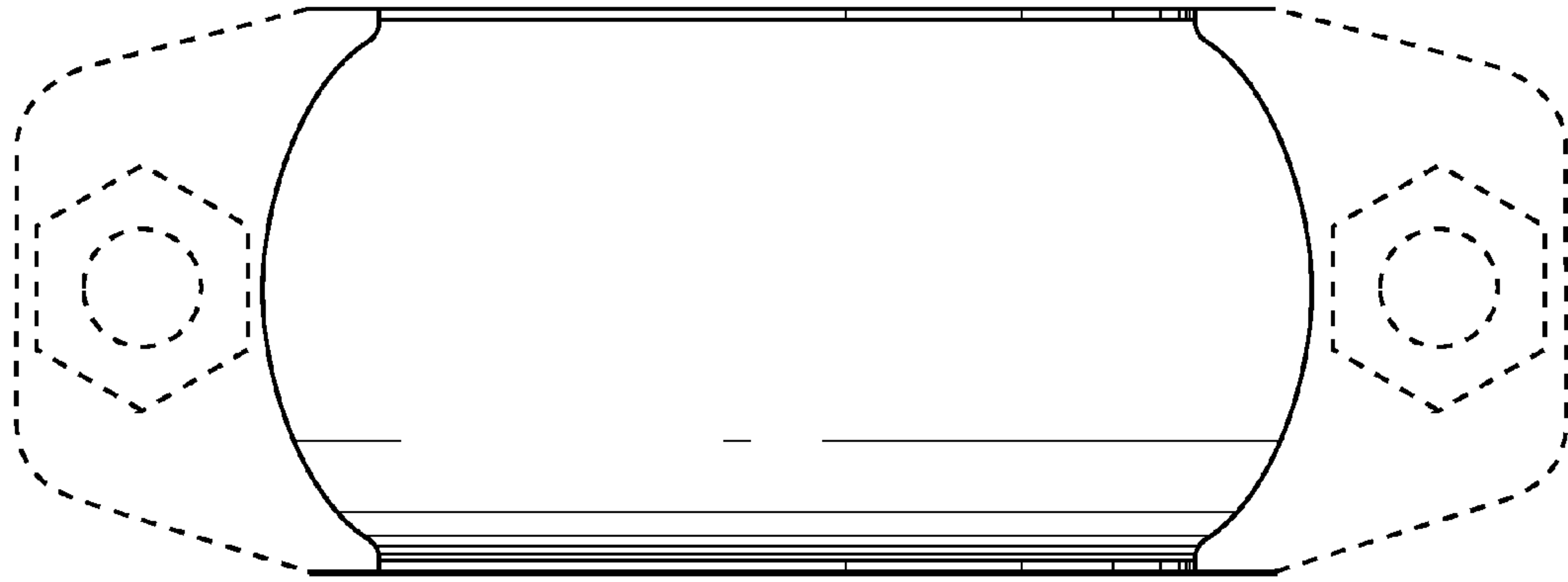
The broken lines in FIGS. 1–5 are for illustrative purposes only and form no part of the claimed design.

**1 Claim, 2 Drawing Sheets**

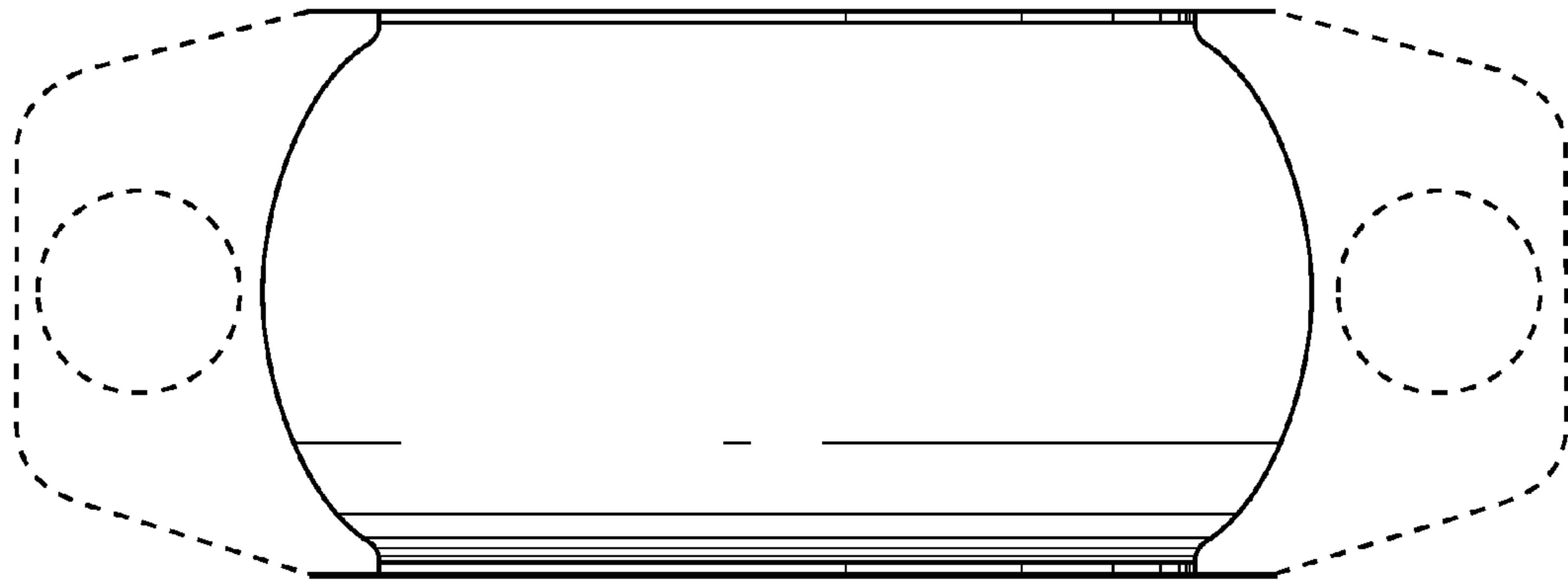




**FIG. 3**



**FIG. 4**



**FIG. 5**

