



US00D609306S

(12) **United States Design Patent**
Moriyama

(10) **Patent No.:** **US D609,306 S**

(45) **Date of Patent:** **** Feb. 2, 2010**

(54) **DIAPHRAGM VALVE**

D394,700 S * 5/1998 Emmins D23/248

(75) Inventor: **Kenji Moriyama**, Tsukubamirai (JP)

* cited by examiner

(73) Assignee: **SMC Corporation**, Chiyoda-ku, Tokyo (JP)

Primary Examiner—Cathron C. Brooks

Assistant Examiner—Maurice Stevens

(74) *Attorney, Agent, or Firm*—Yokoi & Co., U.S.A., Inc.; Peter Ganjian

(**) Term: **14 Years**

(21) Appl. No.: **29/335,897**

(57) **CLAIM**

(22) Filed: **Apr. 23, 2009**

The ornamental design for a diaphragm valve, as shown and described.

(30) **Foreign Application Priority Data**

DESCRIPTION

Nov. 18, 2008 (JP) 2008-029508

(51) **LOC (9) Cl.** **23-01**

(52) **U.S. Cl.** **D23/233**

(58) **Field of Classification Search** D23/233–237,
D23/244–248, 262–264; 251/61.1, 148,
251/152, 330, 331

See application file for complete search history.

FIG. 1 shows a front view of a diaphragm valve showing my new design;

FIG. 2 shows a rear view thereof;

FIG. 3 shows a right side view thereof;

FIG. 4 shows a left side view thereof;

FIG. 5 shows a top view thereof;

FIG. 6 shows a bottom view thereof;

FIG. 7 shows a top, front and left side perspective view thereof; and,

FIG. 8 shows a partial cross-sectional view thereof, taken along line 8—8 in FIG. 5.

(56) **References Cited**

U.S. PATENT DOCUMENTS

D297,971 S * 10/1988 Kiyota et al. D23/245

D299,521 S * 1/1989 Kiyota et al. D23/245

D335,331 S * 5/1993 Weingarten D23/248

D370,054 S * 5/1996 Nakadaira et al. D23/245

1 Claim, 4 Drawing Sheets

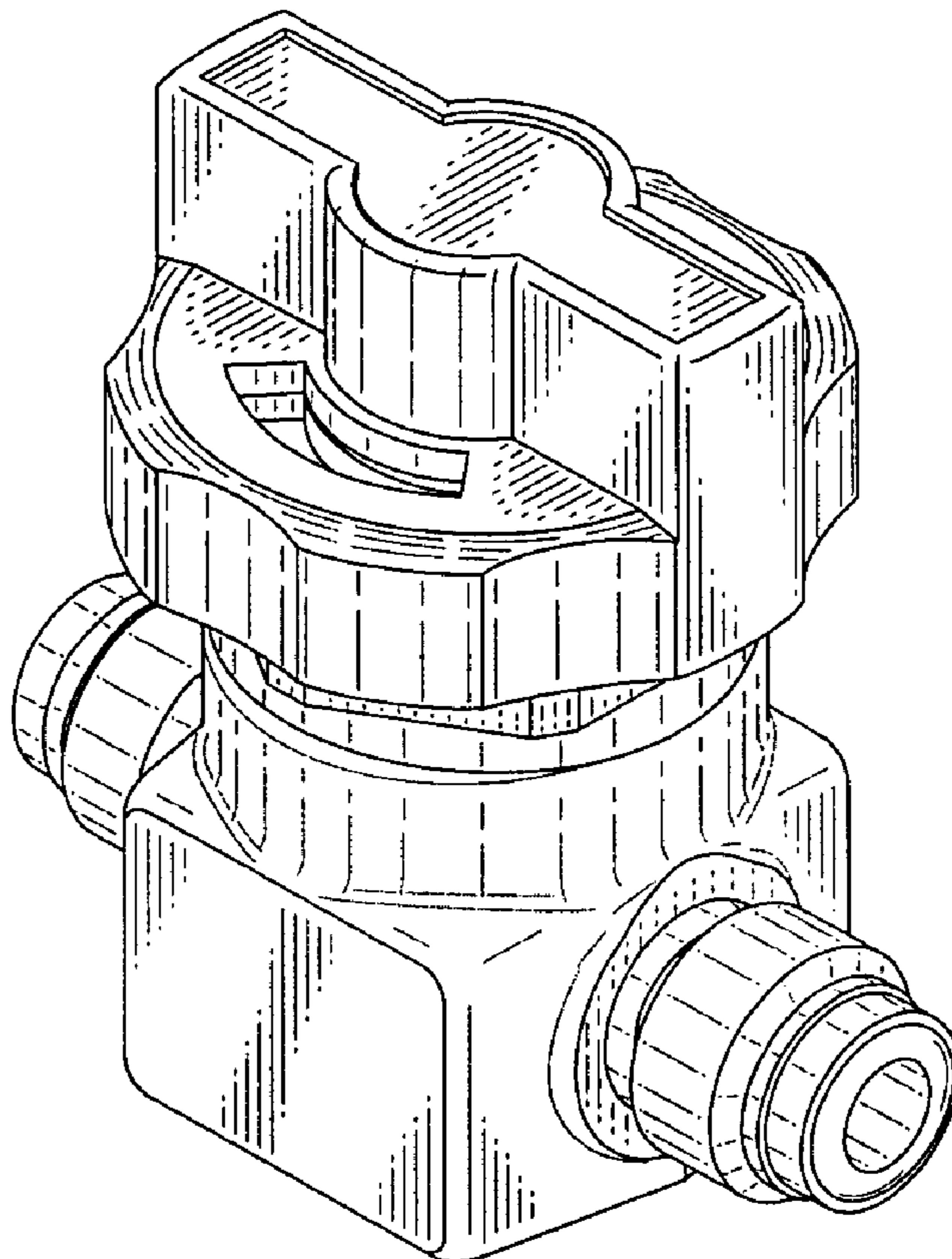


FIG. 1

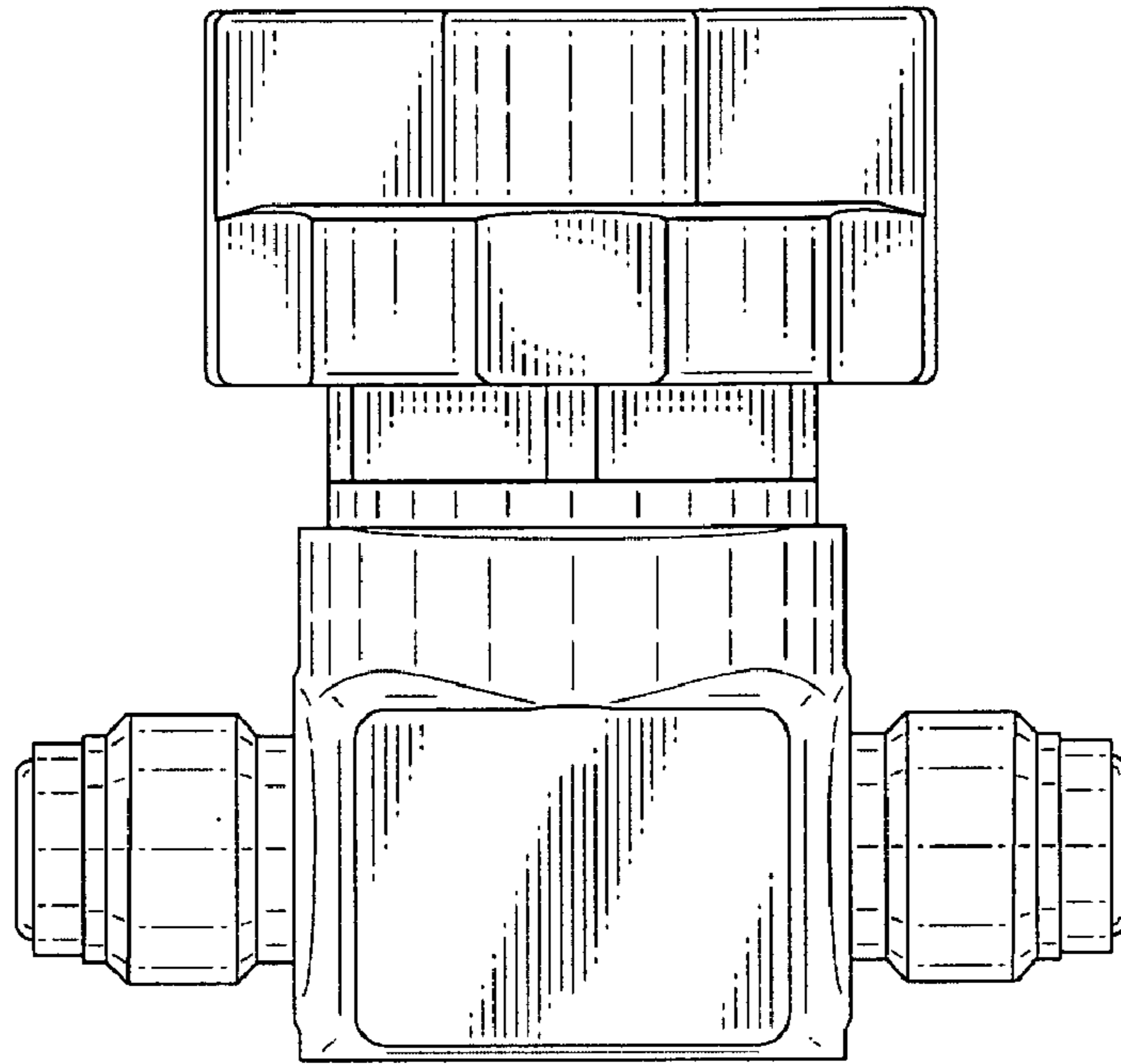


FIG. 2

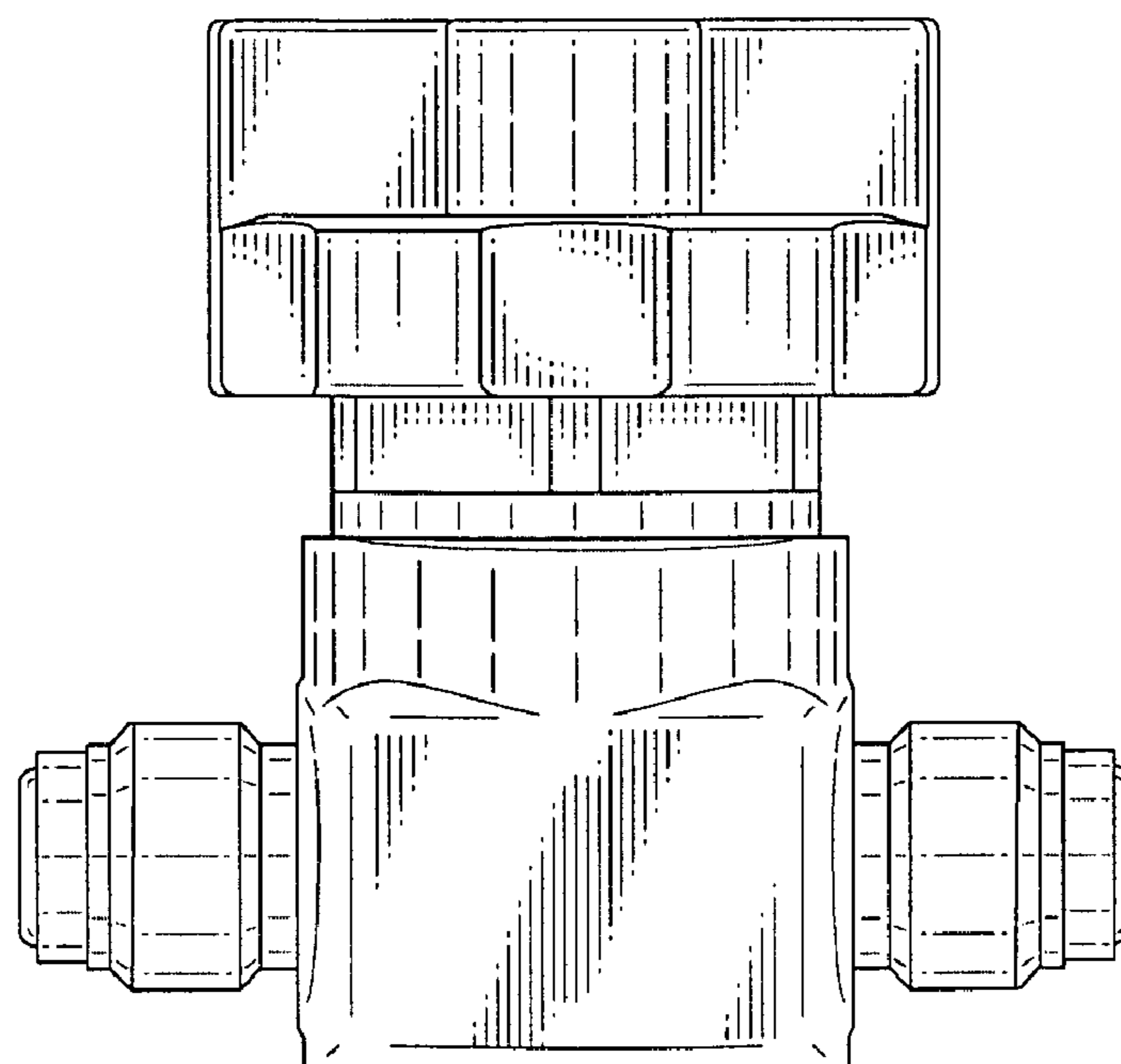


FIG. 3

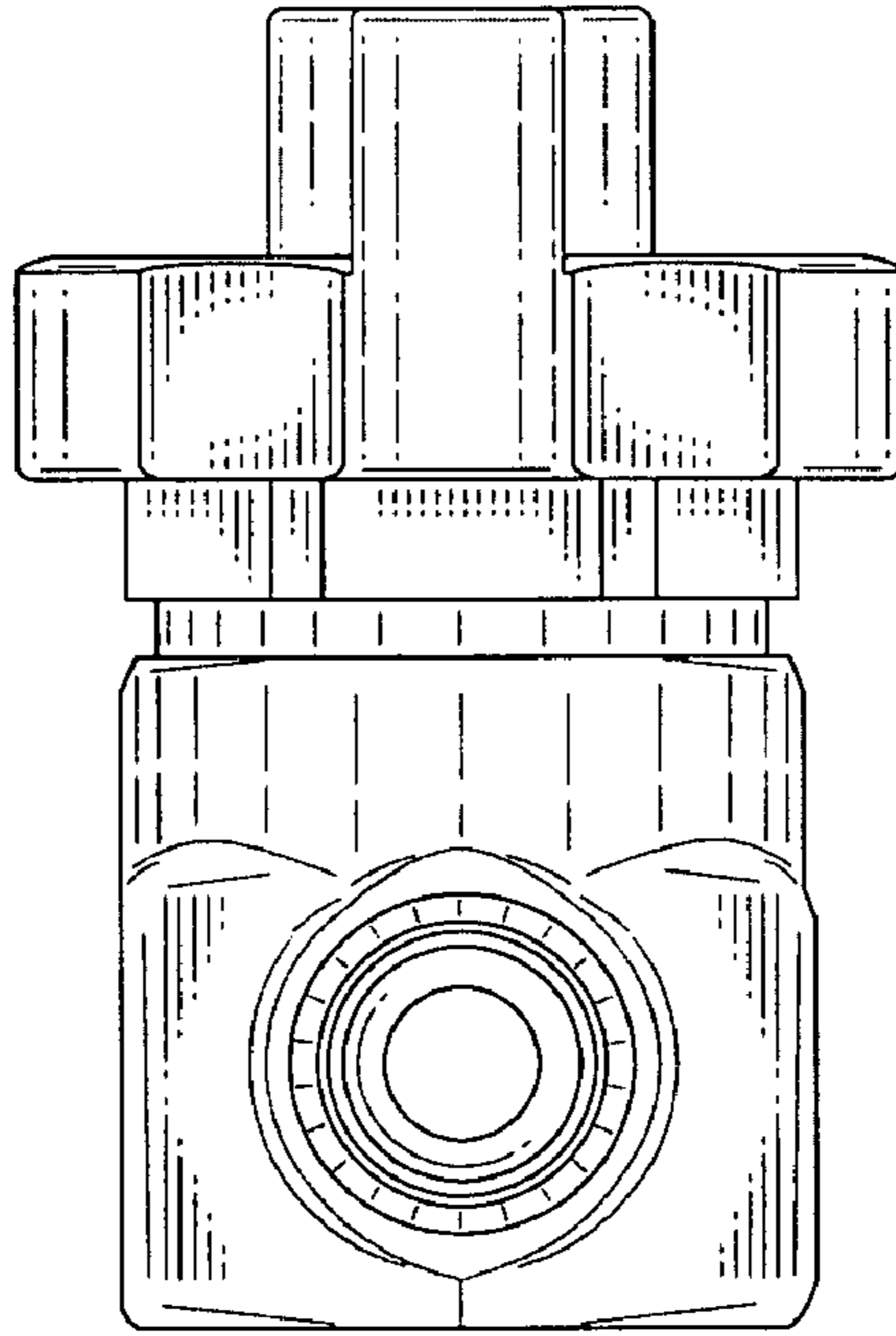


FIG. 4

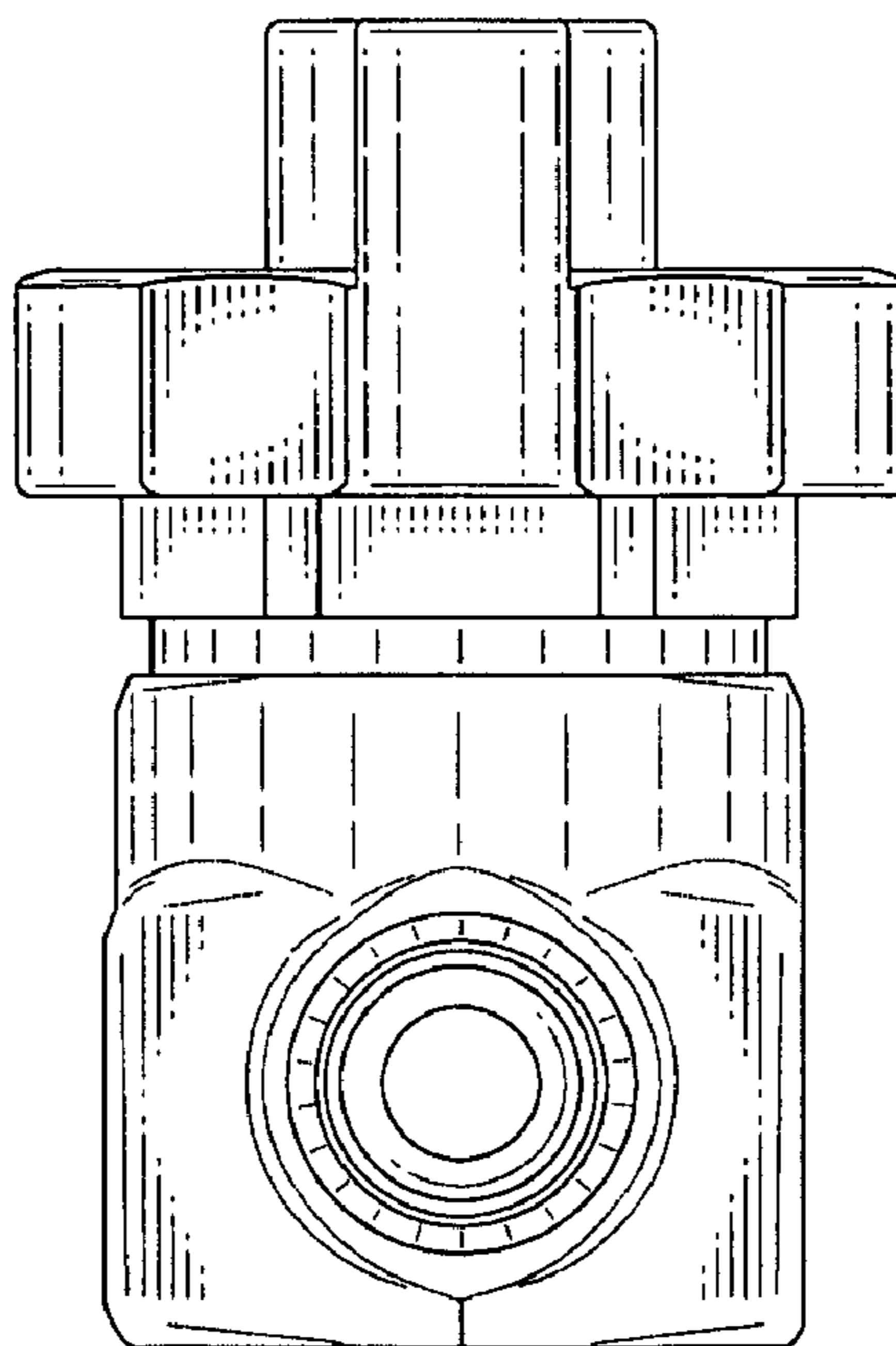


FIG. 5

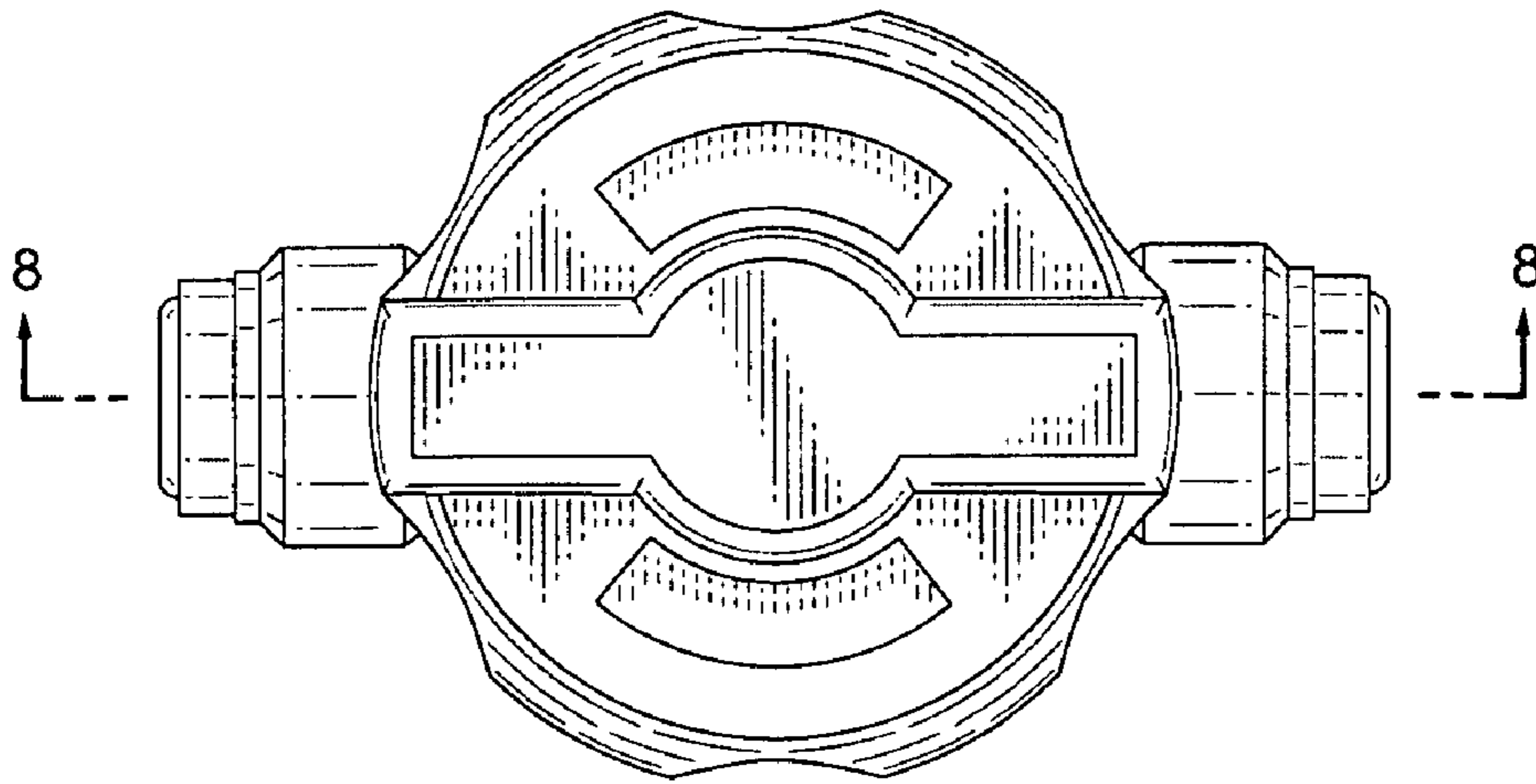


FIG. 6

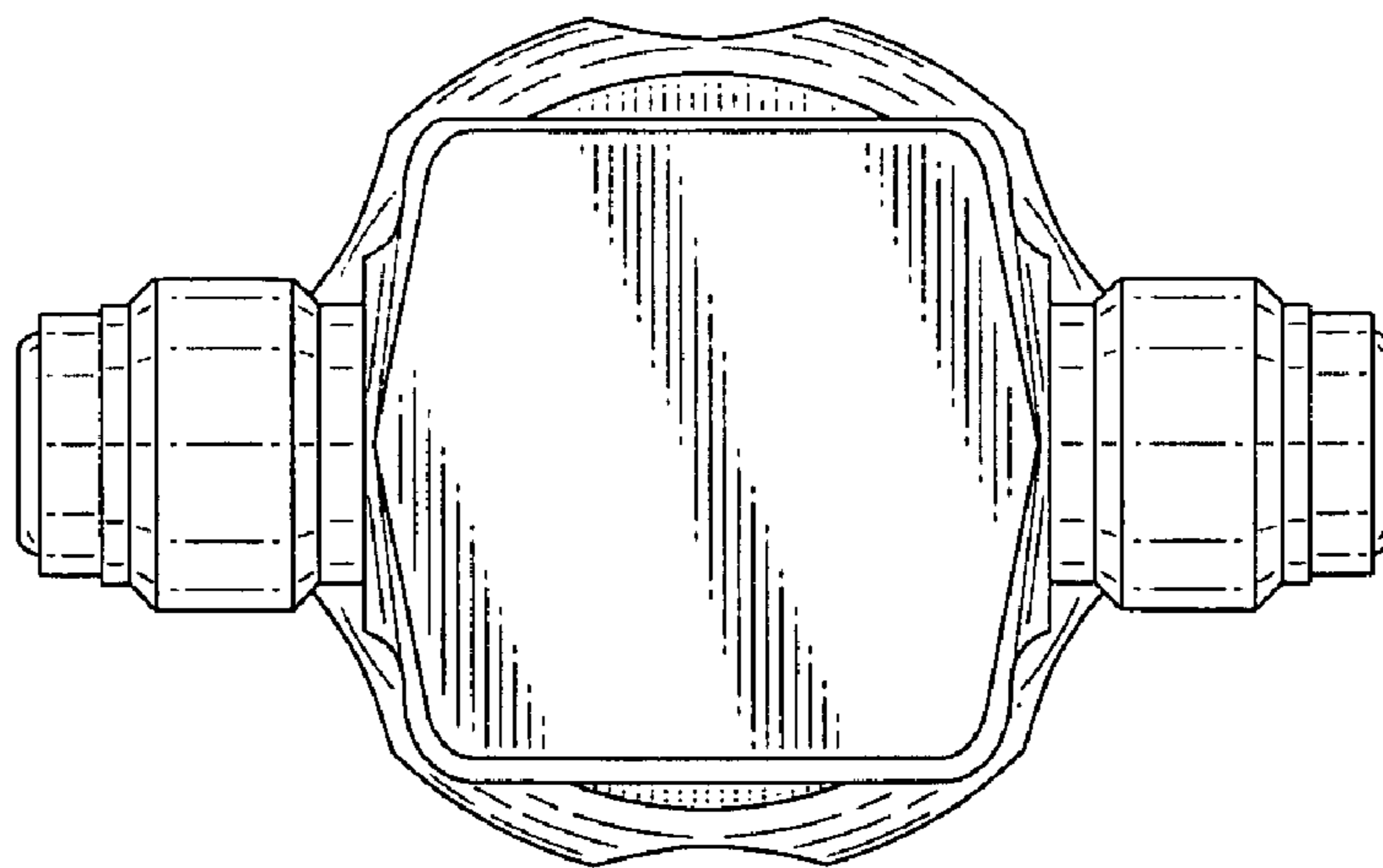


FIG. 7

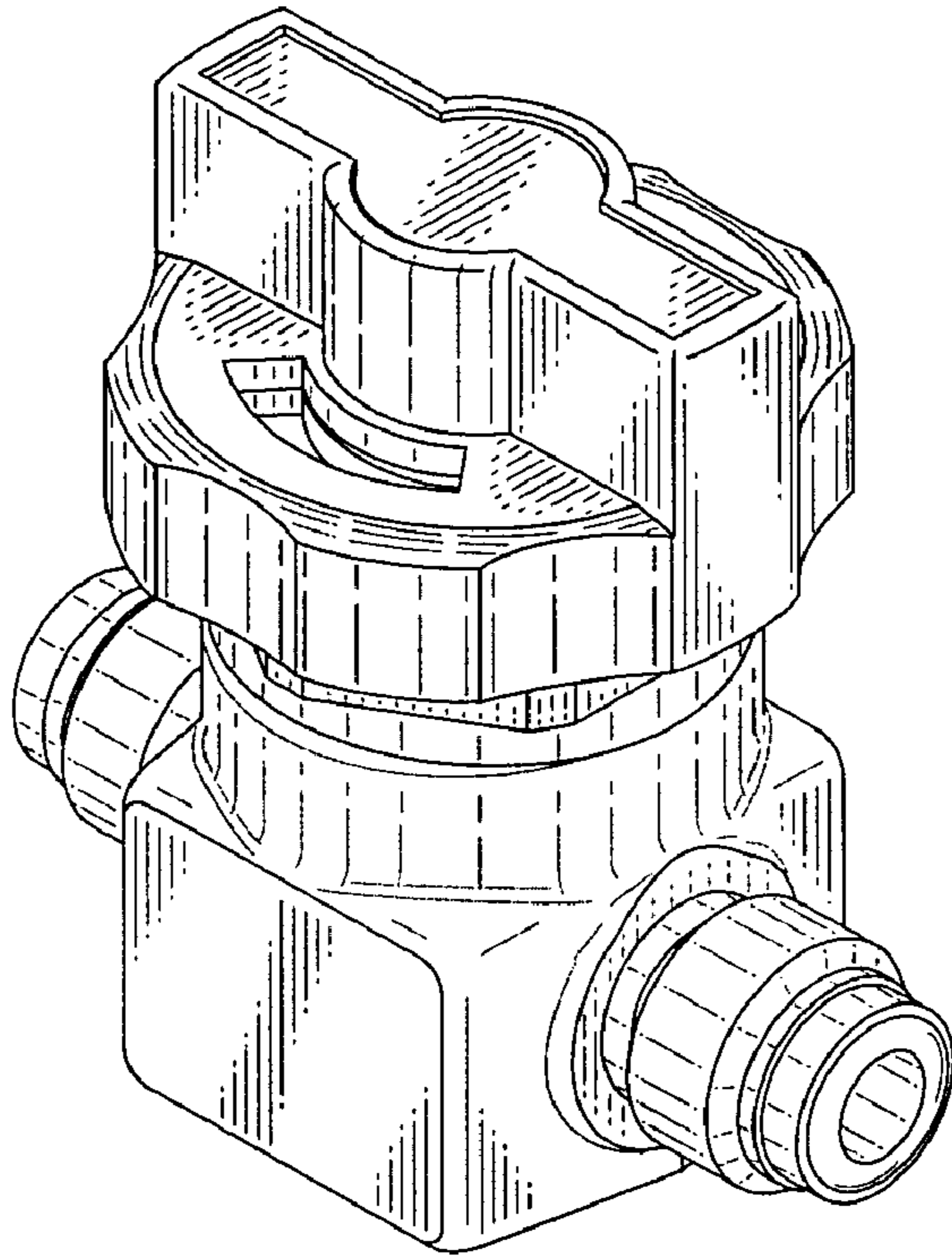


FIG. 8

