



US00D609305S

(12) **United States Design Patent**  
**Riendeau**

(10) **Patent No.:** **US D609,305 S**  
(45) **Date of Patent:** **\*\* Feb. 2, 2010**

(54) **LIQUID DISPENSING VALVE**

(76) **Inventor:** **Calvin Riendeau**, 117 Chantrells Place,  
Nanaimo, BC (CA) V9T 5P4

(\*\*) **Term:** **14 Years**

(21) **Appl. No.:** **29/299,574**

(22) **Filed:** **Dec. 28, 2007**

(30) **Foreign Application Priority Data**

Oct. 26, 2007 (CA) ..... 122908

(51) **LOC (9) Cl.** ..... **23-01**

(52) **U.S. Cl.** ..... **D23/233**

(58) **Field of Classification Search** ..... D23/254,  
D23/249, 213, 258, 236, 233; D10/106;  
700/85, 83; 345/156; 138/46; 340/407.2;  
D13/168, 164; 137/299, 300, 138, 218, 594,  
137/318; 73/861.27; 222/319, 519  
See application file for complete search history.

(56) **References Cited**

**U.S. PATENT DOCUMENTS**

D130,603 S	12/1941	Pullen	
2,346,181 A	4/1944	Overend	
2,379,853 A	7/1945	Smith	
2,721,004 A	10/1955	Schultz	
3,046,027 A *	7/1962	Meyer	141/371
3,197,090 A	7/1965	Wallace	
3,207,172 A *	9/1965	Steer	137/234.5
3,385,327 A *	5/1968	Granier	141/39
3,509,905 A *	5/1970	Mullins	137/318
3,732,886 A *	5/1973	Mullins	137/318
4,014,472 A	3/1977	Bennett	
4,421,297 A	12/1983	Pongrass et al.	
4,467,943 A *	8/1984	Carse	222/309
D284,553 S	7/1986	Collister	
D286,506 S	11/1986	Poore et al.	
D324,175 S	2/1992	Beck	
5,085,258 A	2/1992	Fink, Jr. et al.	
5,240,155 A	8/1993	Mueller et al.	
5,645,116 A	7/1997	McDonald	
D401,671 S *	11/1998	Lewis et al.	D23/233

D407,977 S	4/1999	Farris	
D410,845 S	6/1999	Anderson	
D430,922 S *	9/2000	Hung-Lin	D23/245
6,467,500 B2 *	10/2002	Fridlyand	137/385
D467,769 S	12/2002	Riendeau	
D478,965 S *	8/2003	Ferrer Beltran	D23/233
6,741,179 B2 *	5/2004	Young	340/606

(Continued)

**FOREIGN PATENT DOCUMENTS**

CA 94862 2/2002

*Primary Examiner*—Cathron C Brooks

*Assistant Examiner*—Austin Murphy

(74) *Attorney, Agent, or Firm*—Oyen Wiggs Green & Mutala LLP

(57) **CLAIM**

The ornamental design for a liquid dispensing valve, as shown and described.

**DESCRIPTION**

FIG. 1 is a front perspective view of the applicant's liquid dispensing valve showing the valve in its closed position;

FIG. 2 is a rear perspective view thereof;

FIG. 3 is a top plan view thereof;

FIG. 4 is a front perspective view thereof showing the valve in its open position;

FIG. 5 is a rear perspective view thereof;

FIG. 6 is a top plan view thereof;

FIG. 7 is a front elevational view thereof;

FIG. 8 is a rear elevational view thereof;

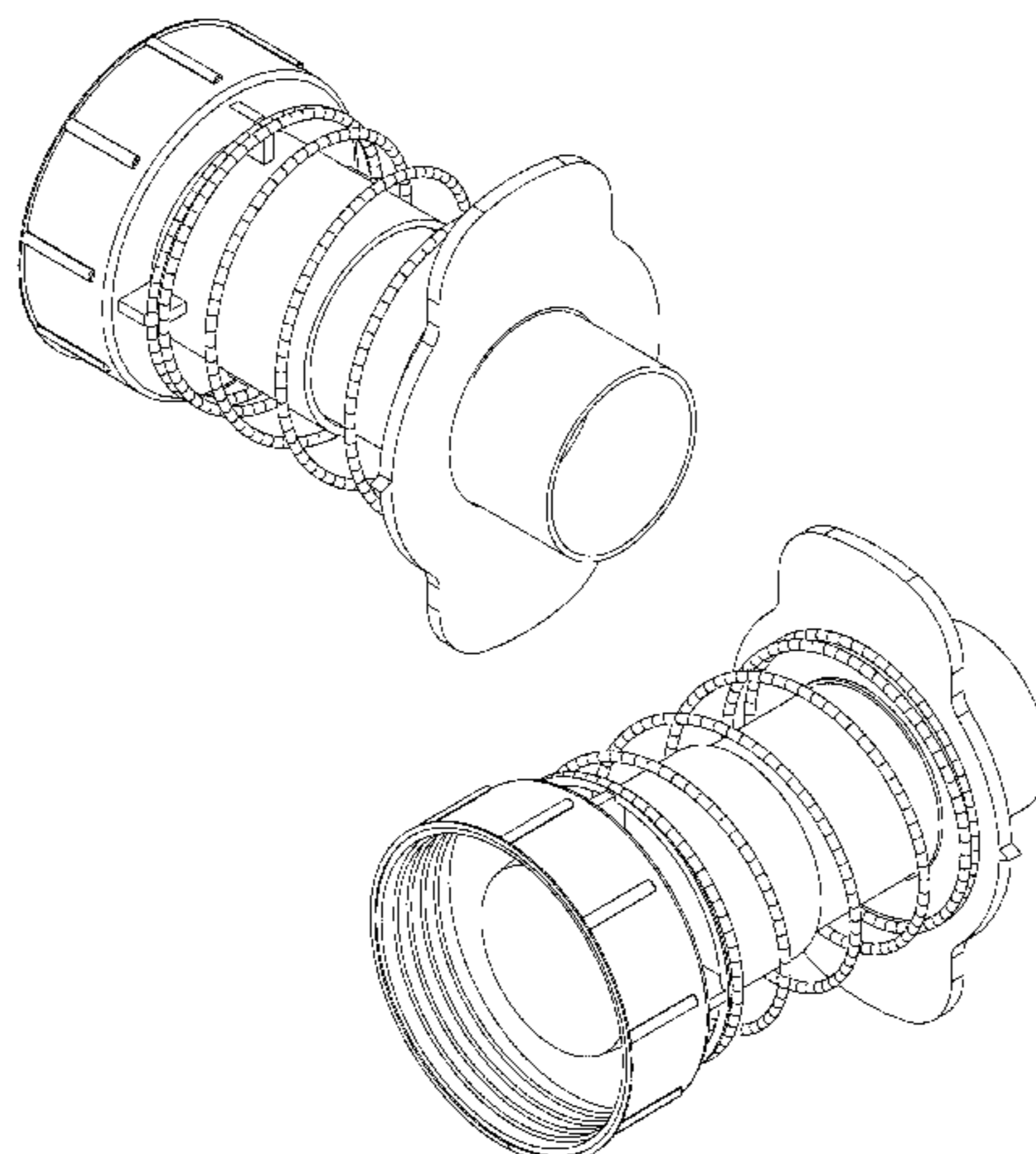
FIG. 9 is a front perspective view thereof showing the valve in the closed position connected to a liquid container;

FIG. 10 is a front perspective extended view of the applicant's liquid dispensing valve; and,

FIG. 11 is a rear perspective extended view thereof.

The broken lines shown in FIG. 9 depict environmental structure that forms no part of the claimed design.

**1 Claim, 11 Drawing Sheets**



# US D609,305 S

Page 2

---

## U.S. PATENT DOCUMENTS

D522,618 S *	6/2006	Matsushita .....	D23/245	
7,191,666 B2 *	3/2007	Parris et al. ....	73/861.27	* cited by examiner
				D542,888 S * 5/2007 Ye et al. .... D23/233

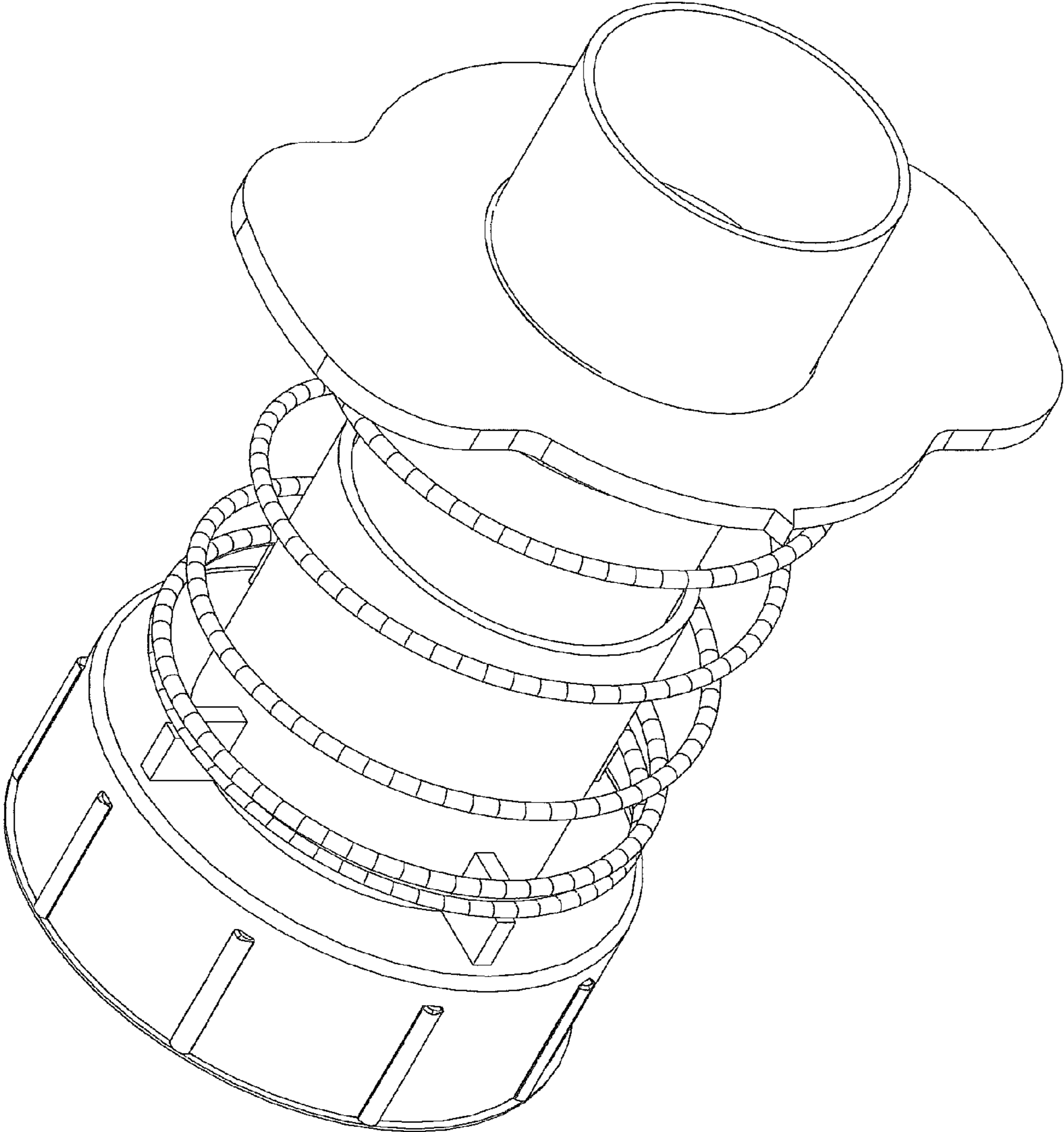


FIGURE 1

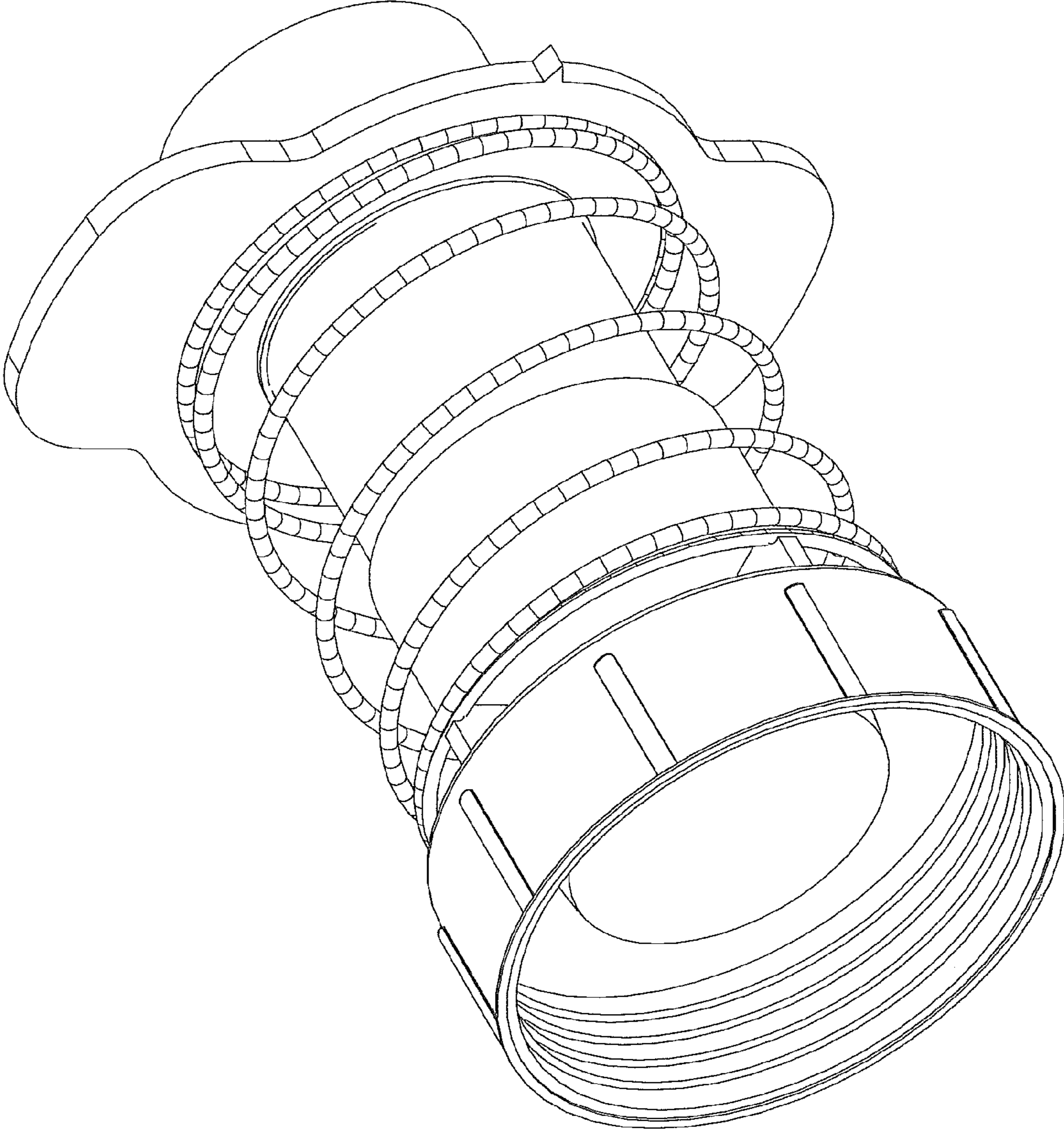


FIGURE 2



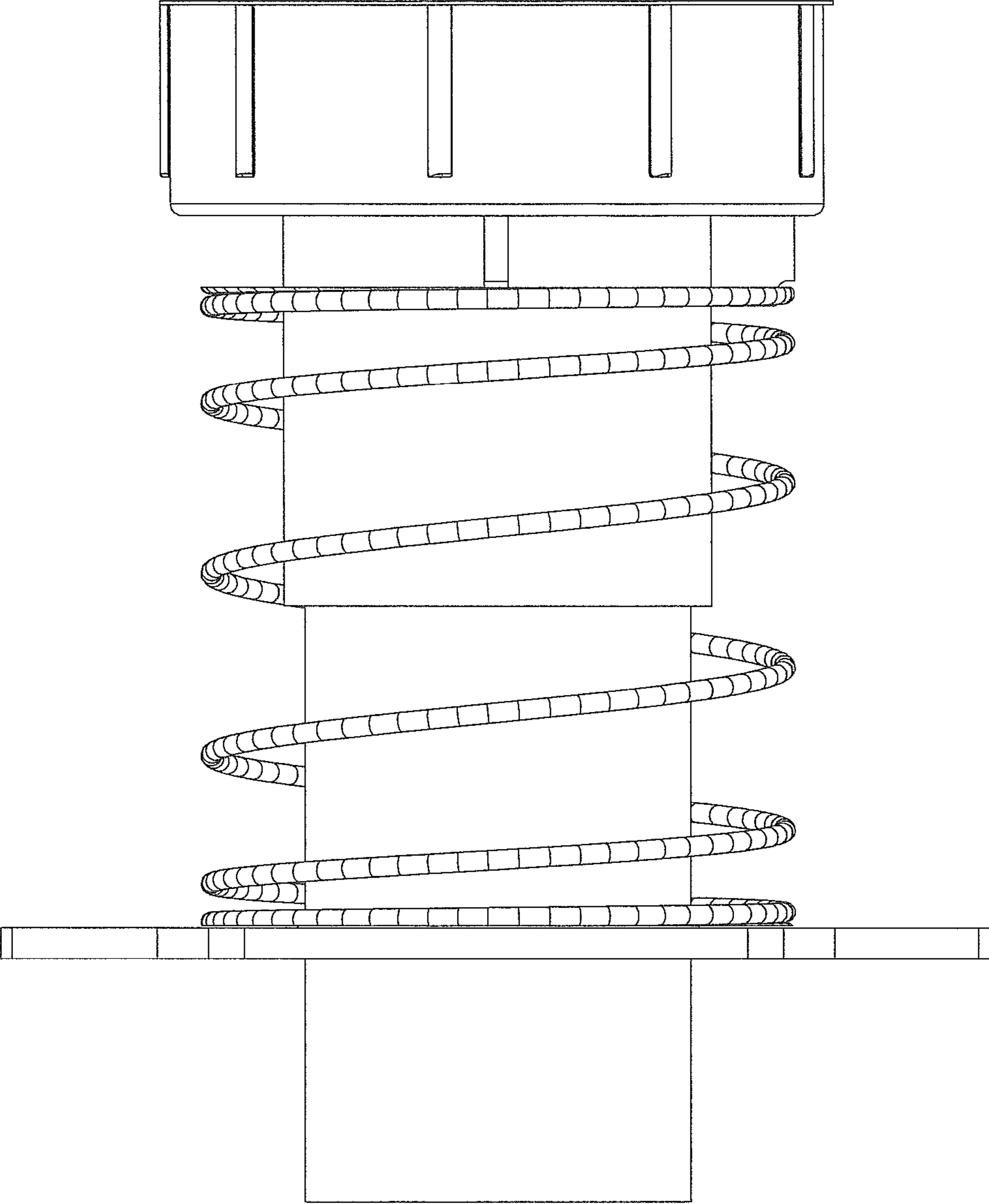


FIGURE 3

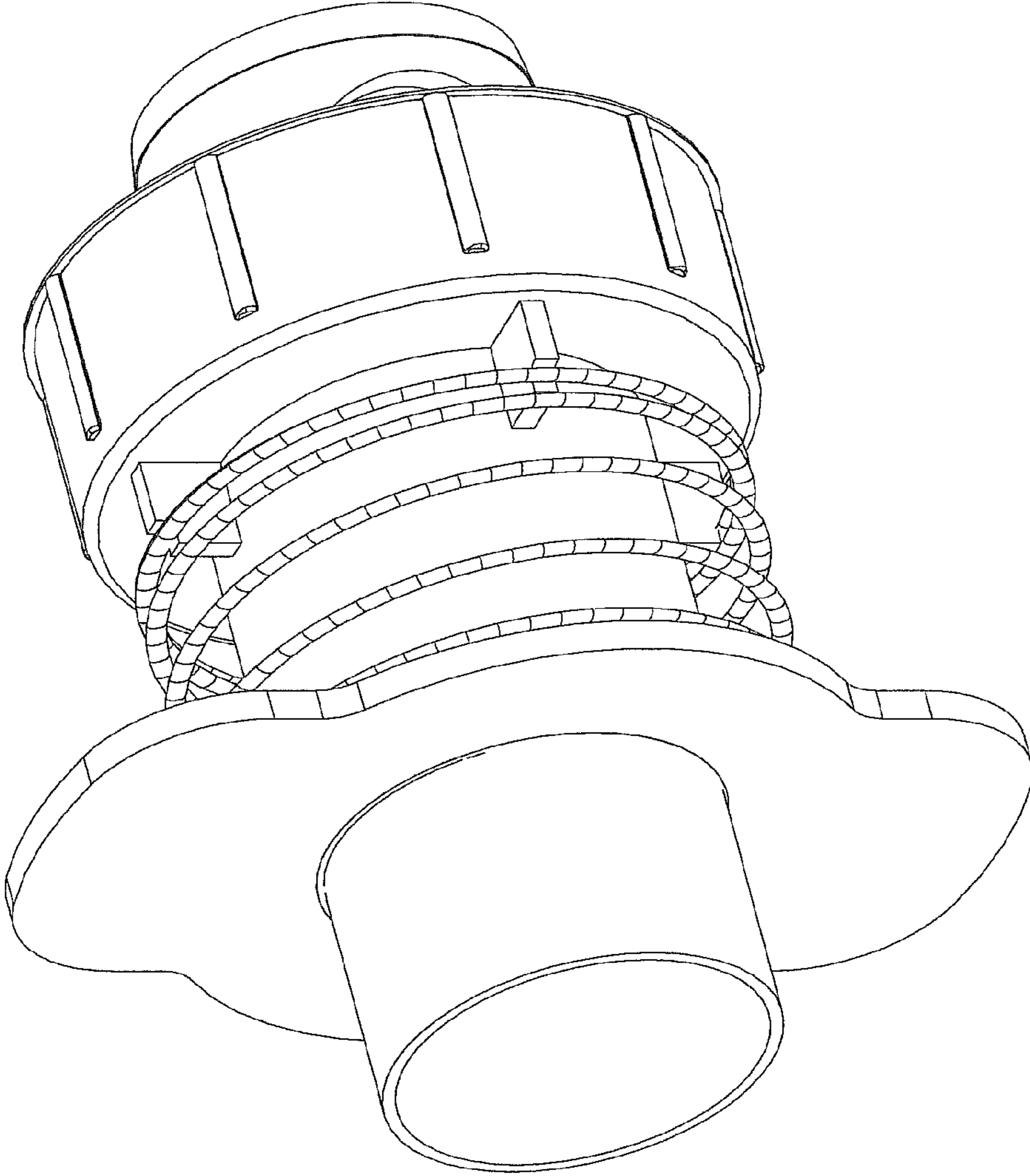


FIGURE 4

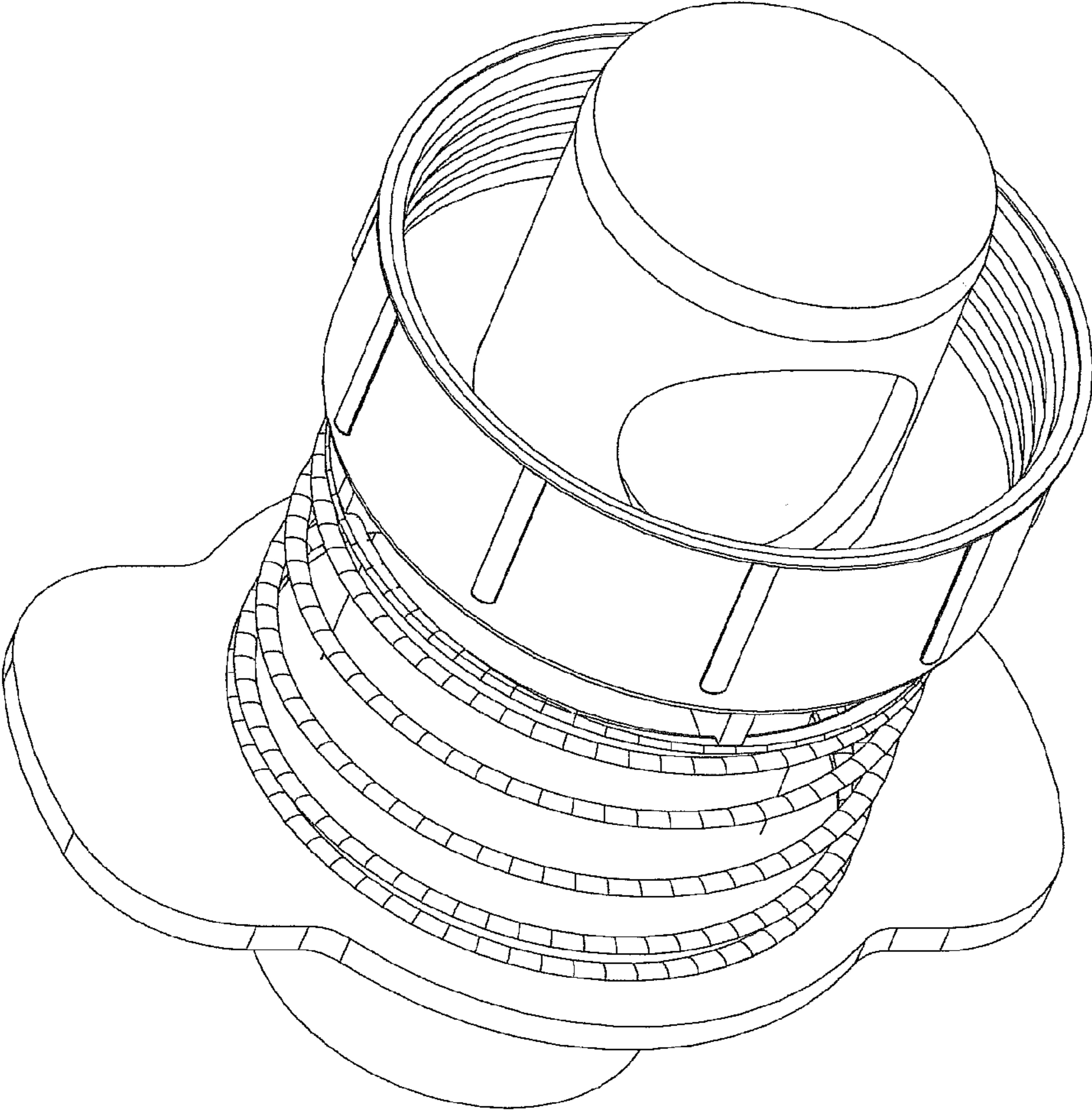


FIGURE 5

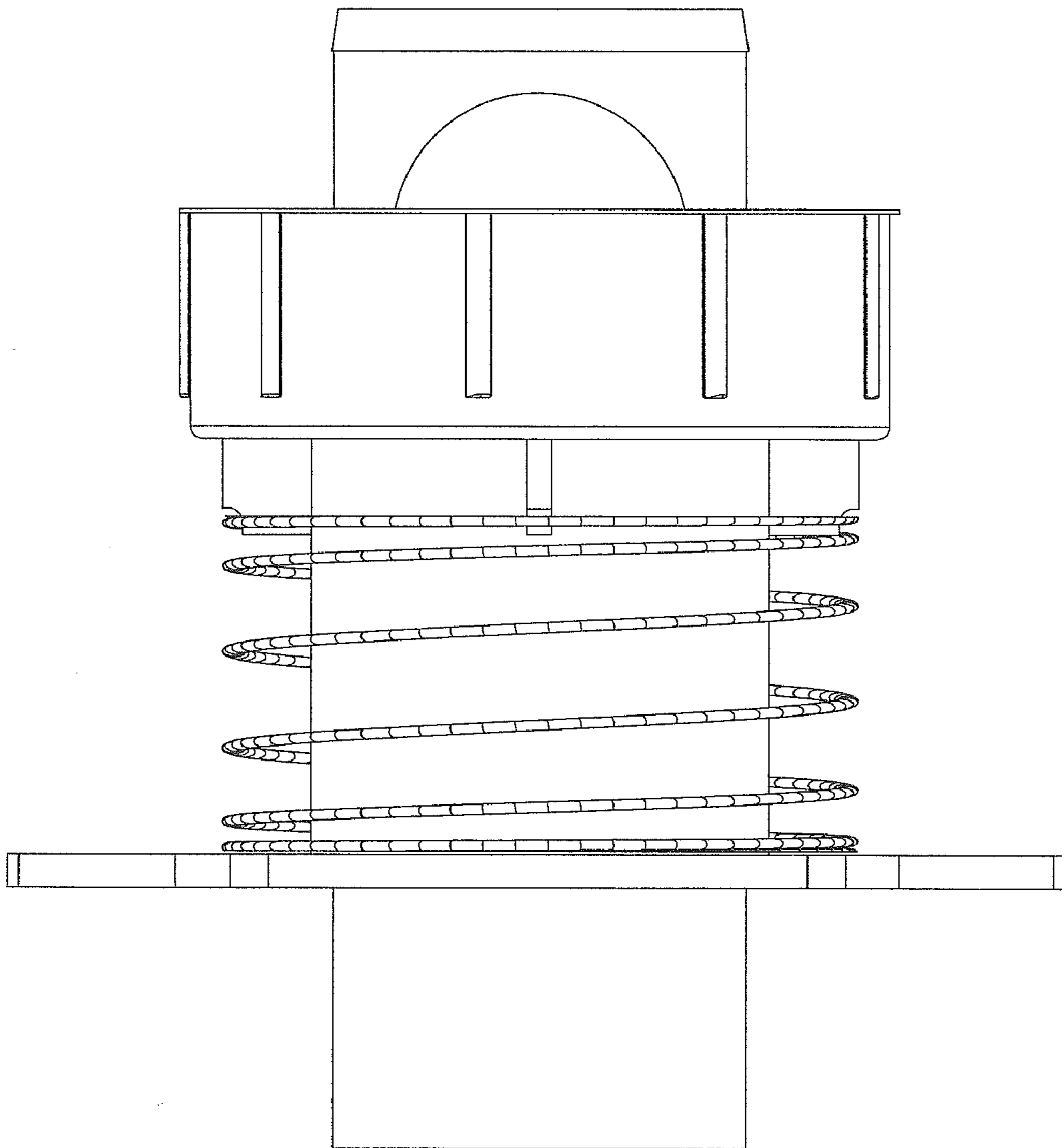


FIGURE 6



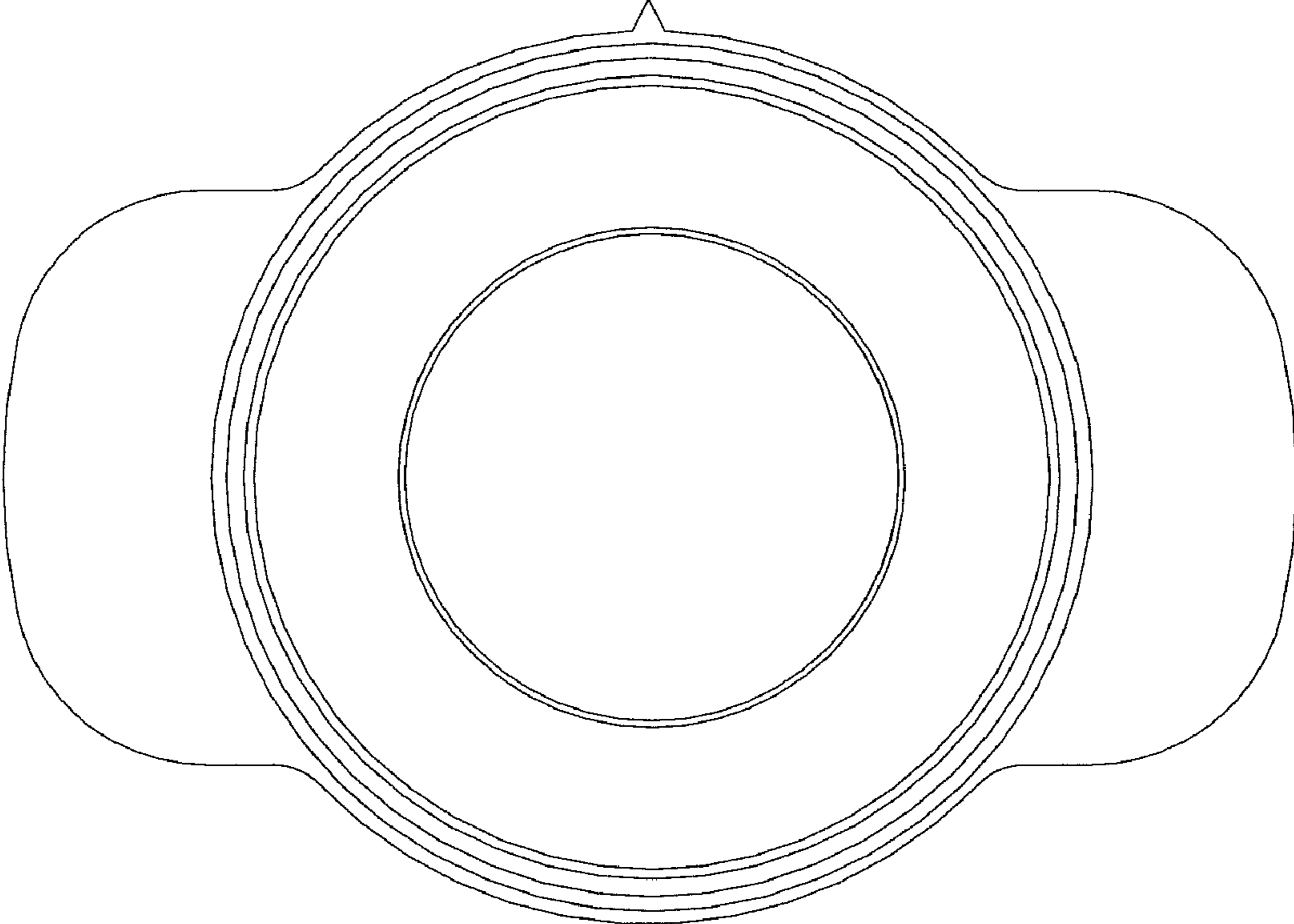


FIGURE 7

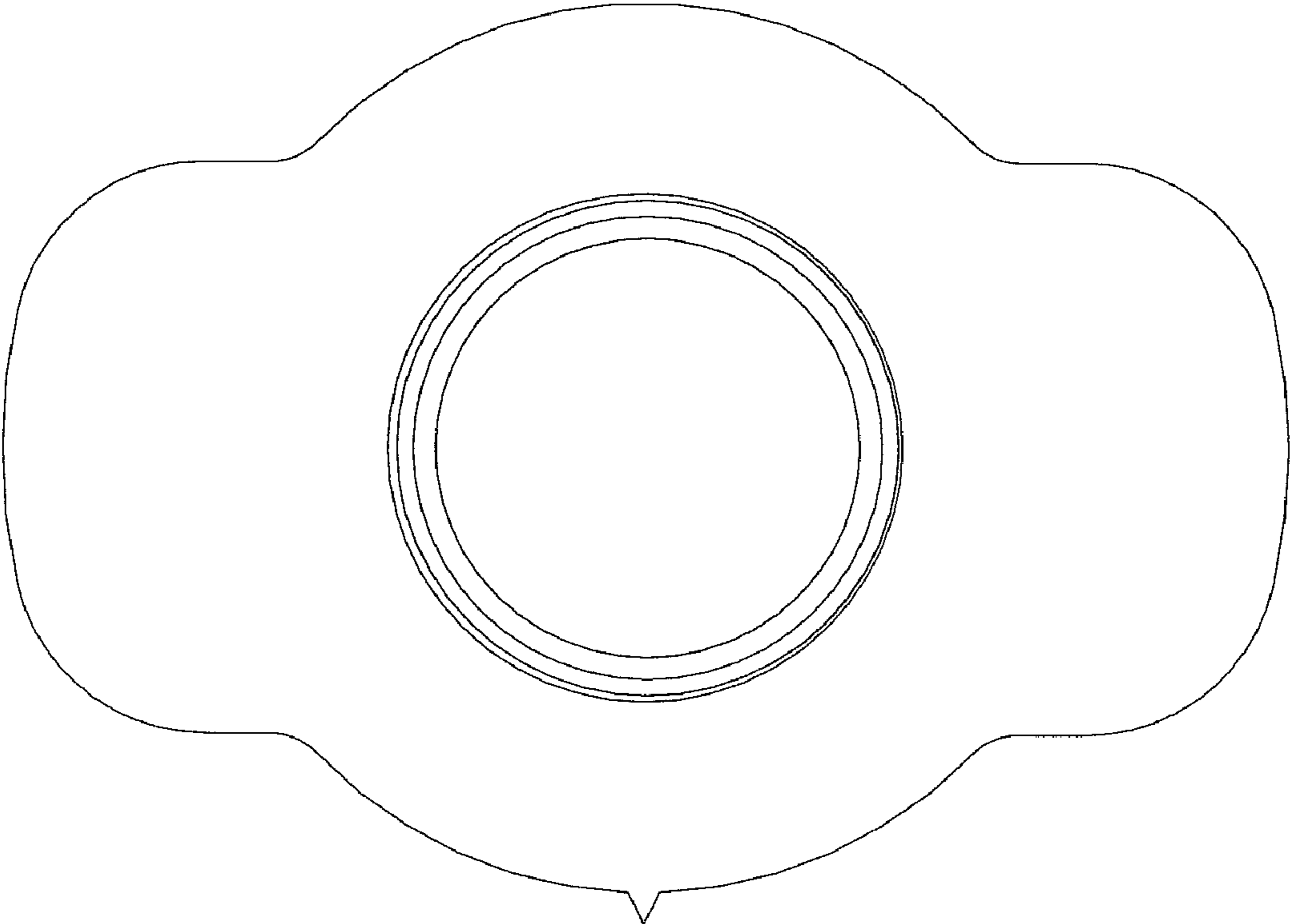


FIGURE 8

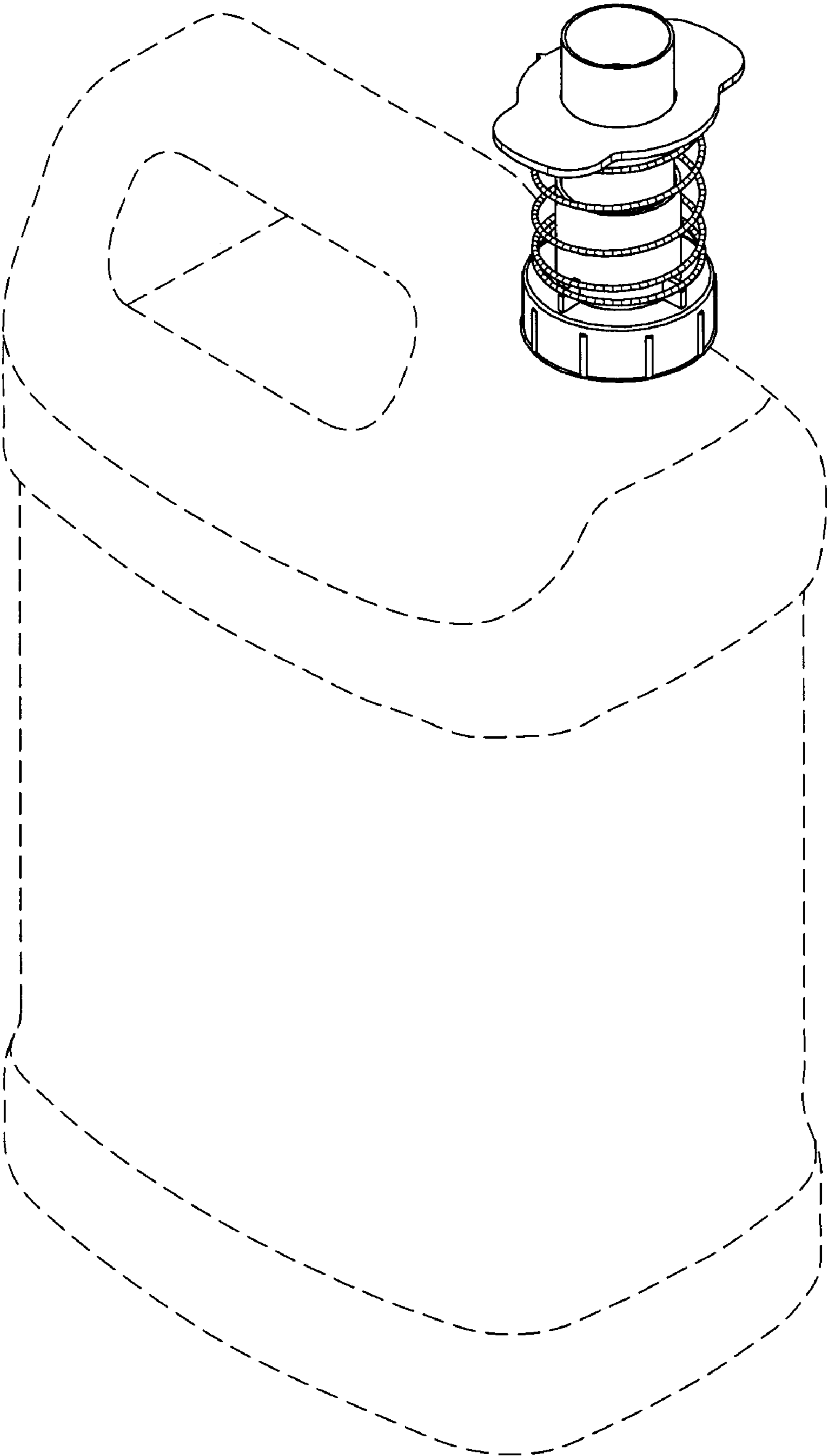


FIGURE 9

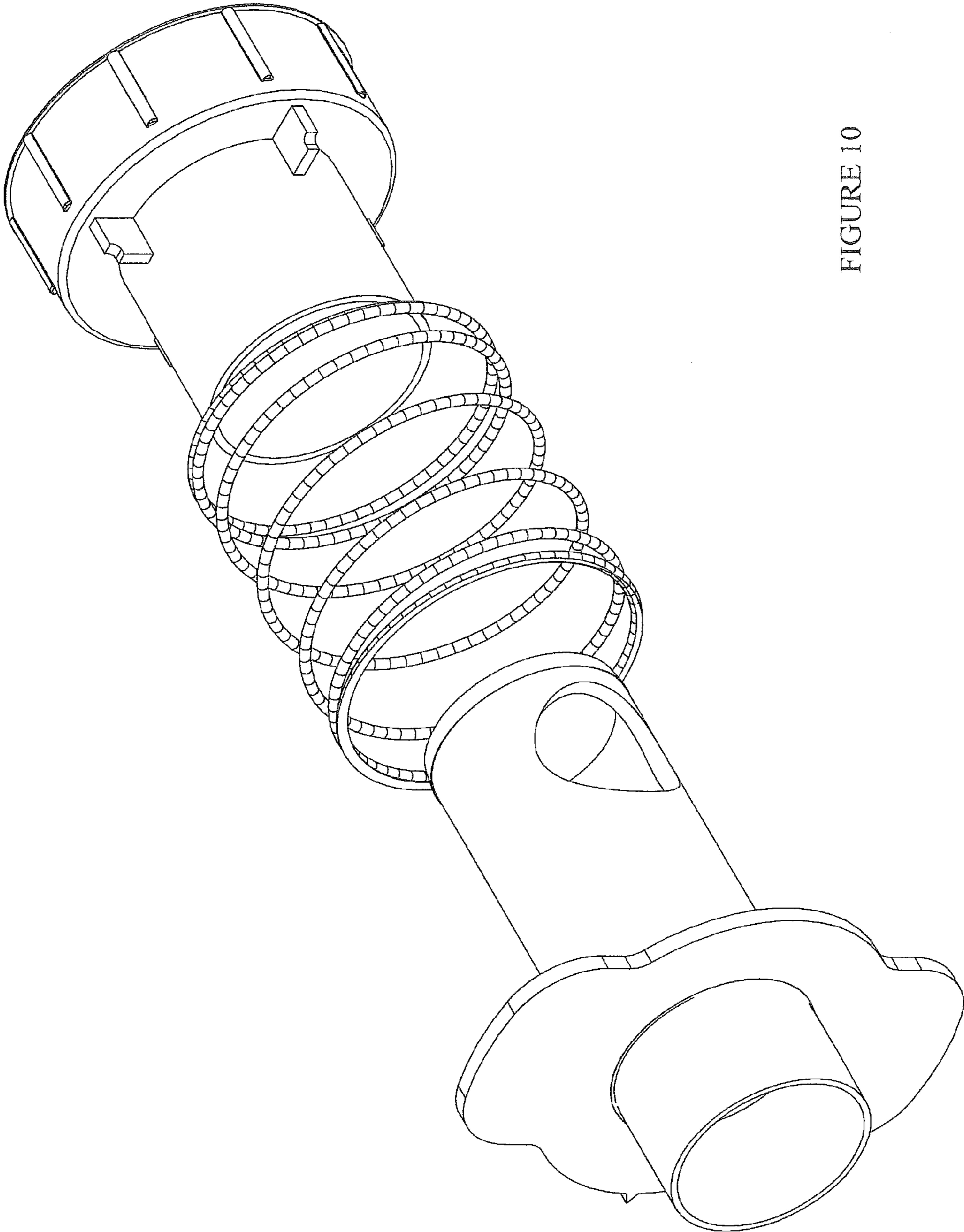


FIGURE 10

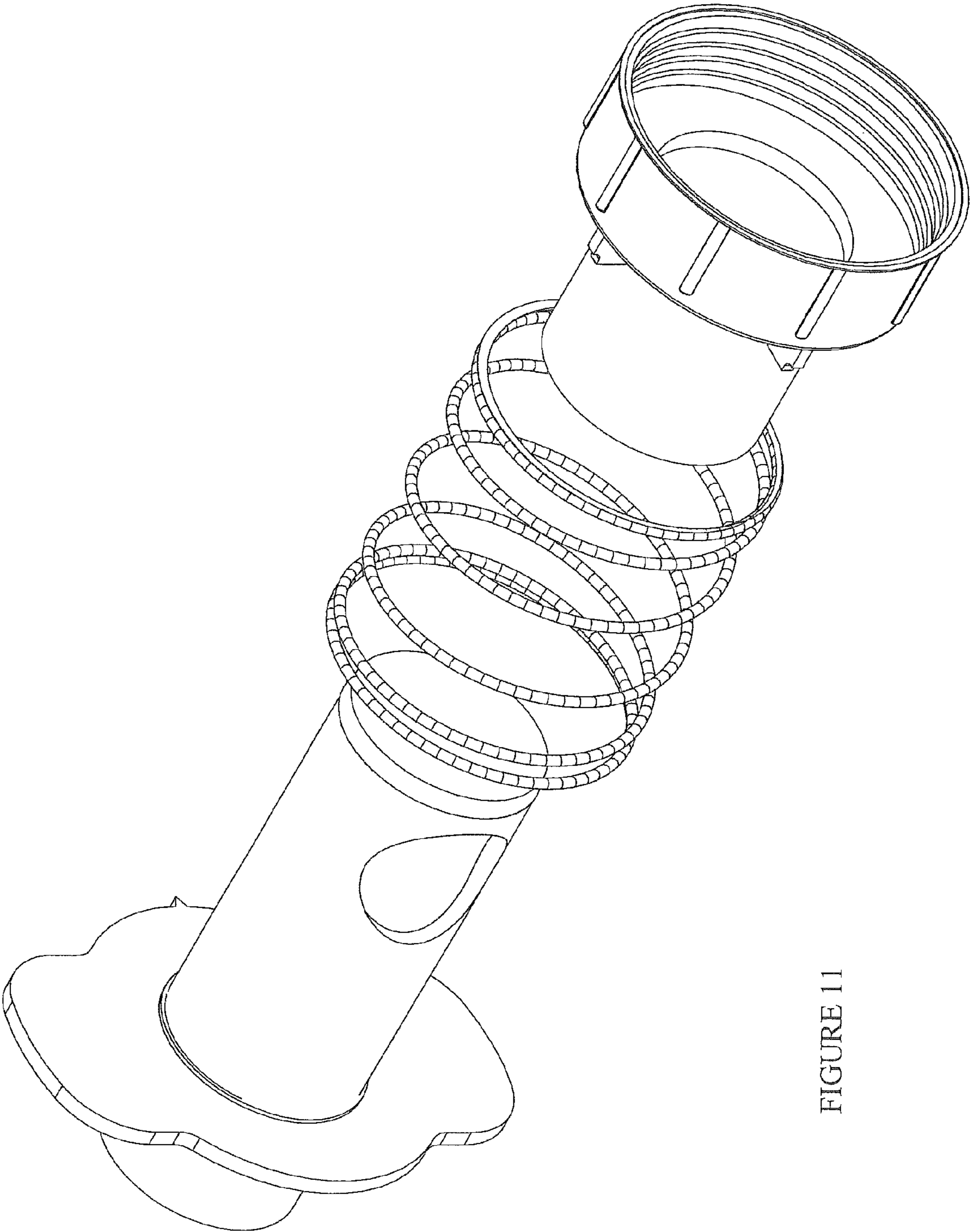


FIGURE 11