



US00D609304S

(12) **United States Design Patent**
Hatfield

(10) **Patent No.:** **US D609,304 S**

(45) **Date of Patent:** **** *Feb. 2, 2010**

(54) **FISH HOOK**

(76) Inventor: **Marcus Craig Hatfield**, 3 Oriole Way,
Morgantown, WV (US) 26508

(**) Term: **14 Years**

(21) Appl. No.: **29/331,208**

(22) Filed: **Jan. 21, 2009**

5,351,434 A	10/1994	Krenn	
D404,795 S *	1/1999	Nakagawa D22/144
D451,579 S	12/2001	Yong-Set	
6,748,694 B1	6/2004	Darling	
D501,039 S	1/2005	Duncan	
D505,480 S *	5/2005	Mathieu D22/144
D519,599 S *	4/2006	Smith D22/144
D541,900 S *	5/2007	Scott D22/144
D544,067 S *	6/2007	Wichem D22/144
D555,754 S *	11/2007	Wichem D22/144

Related U.S. Application Data

(63) Continuation of application No. 12/205,524, filed on
Sep. 5, 2008.

(51) **LOC (9) Cl.** **22-05**

(52) **U.S. Cl.** **D22/144**

(58) **Field of Classification Search** D22/144-146;
43/43.16, 44.8, 44.82, 44.83, 44.2, 4.5, 43.12,
43/15

See application file for complete search history.

* cited by examiner

Primary Examiner—Catherine R Oliver

(74) *Attorney, Agent, or Firm*—Christopher Wood; Wood &
Eisenberg, PLLC

(57) **CLAIM**

The ornamental design for a fish hook, as shown and
described.

DESCRIPTION

FIG. 1 is a perspective view of a fish hook showing my new
design;

FIG. 2 is a right side view thereof;

FIG. 3 is a left side view thereof, the right side being a mirror
image thereof;

FIG. 4 is a front view thereof;

FIG. 5 is a rear view thereof;

FIG. 6 is a top view thereof; and,

FIG. 7 is a bottom view thereof.

(56) **References Cited**

U.S. PATENT DOCUMENTS

794,695 A	7/1905	Bagnall
1,497,710 A	6/1924	Cole
1,974,381 A	9/1934	Swanson et al.
2,768,468 A	10/1956	Kibler et al.
2,775,057 A	12/1956	Ludgate
3,091,885 A	6/1963	Ulsh
3,518,784 A	7/1970	Kling
3,541,720 A	11/1970	Buffet
3,648,399 A	3/1972	Lloyd
3,778,918 A	12/1973	Emory et al.
4,696,121 A	9/1987	Hernden

1 Claim, 7 Drawing Sheets

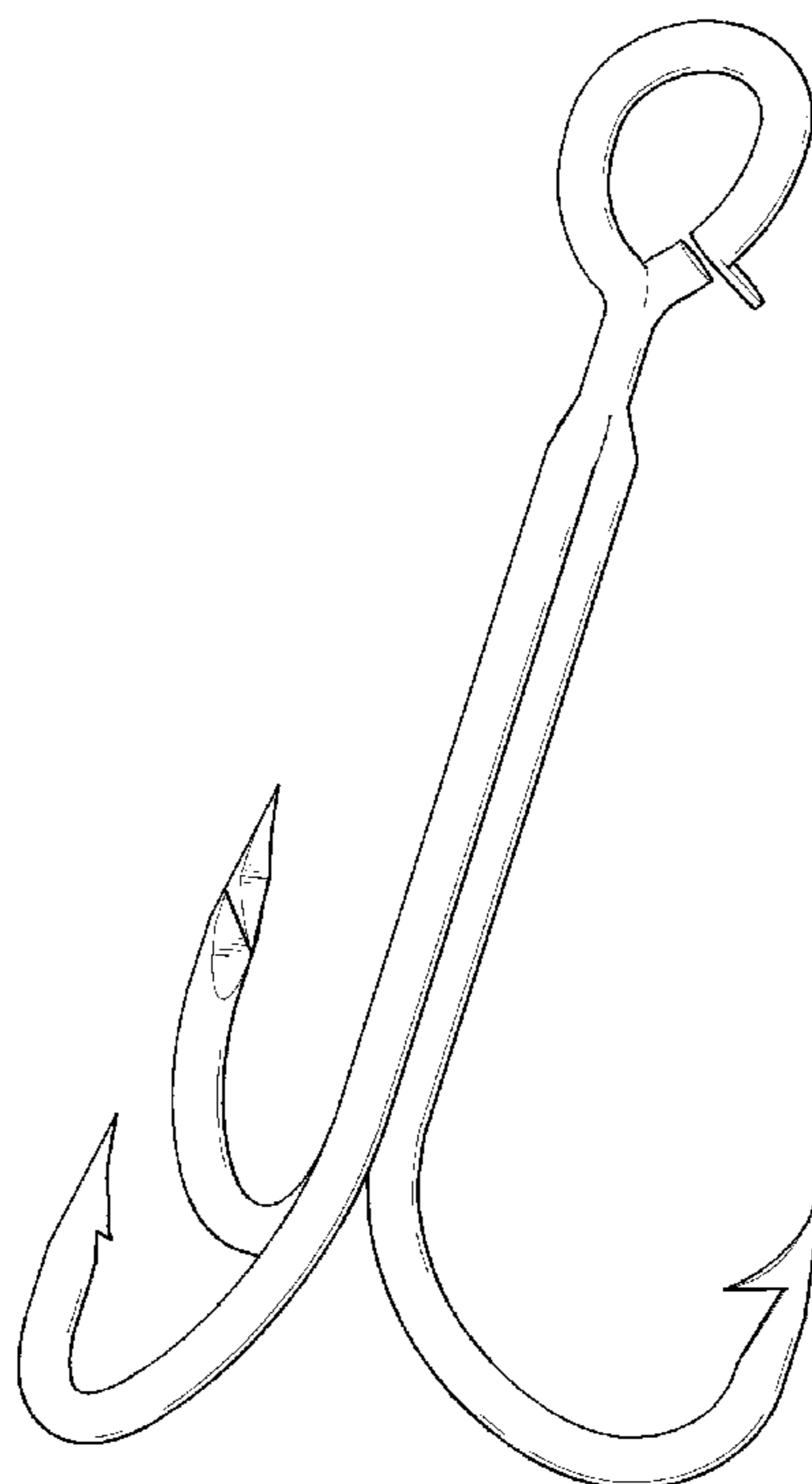
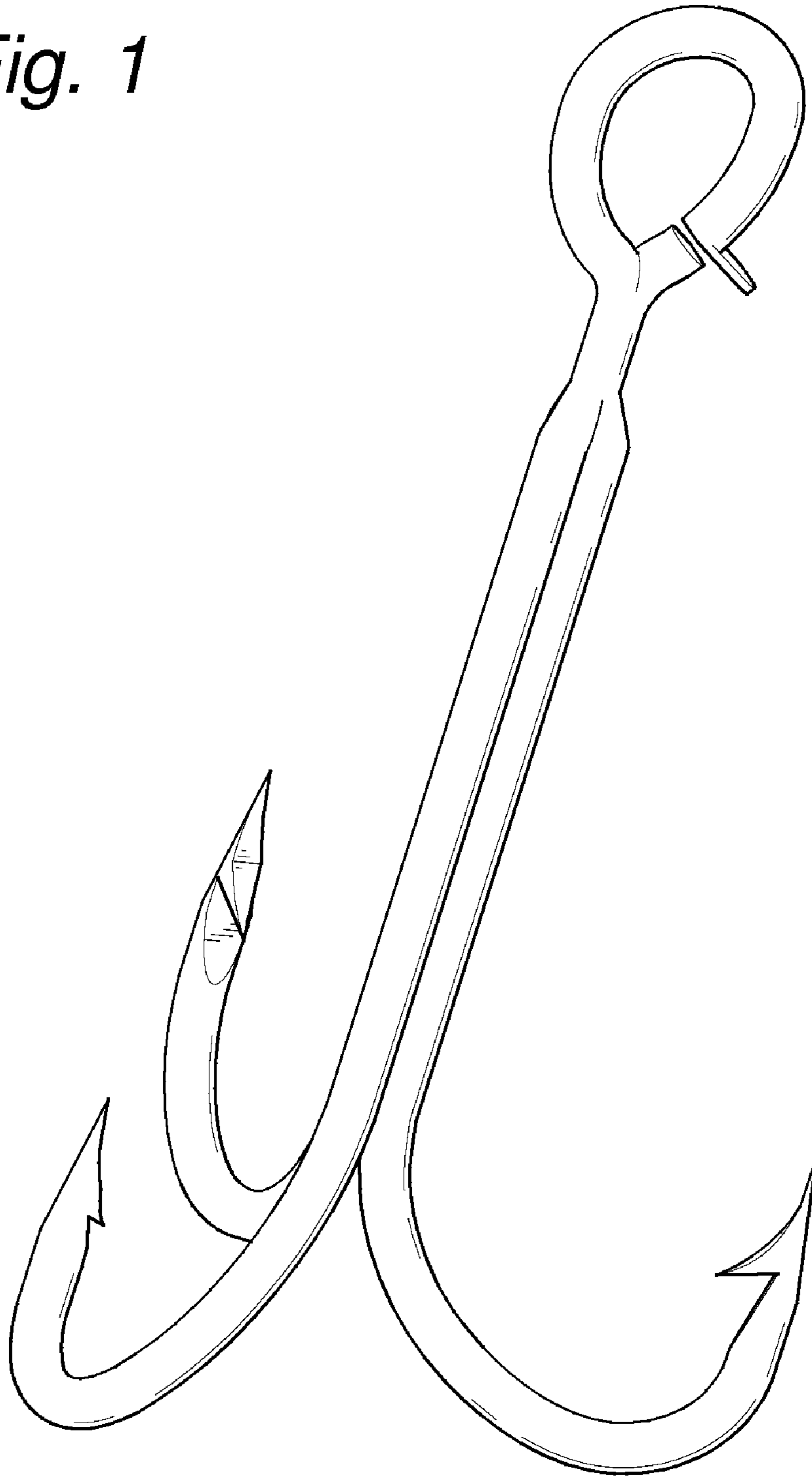


Fig. 1



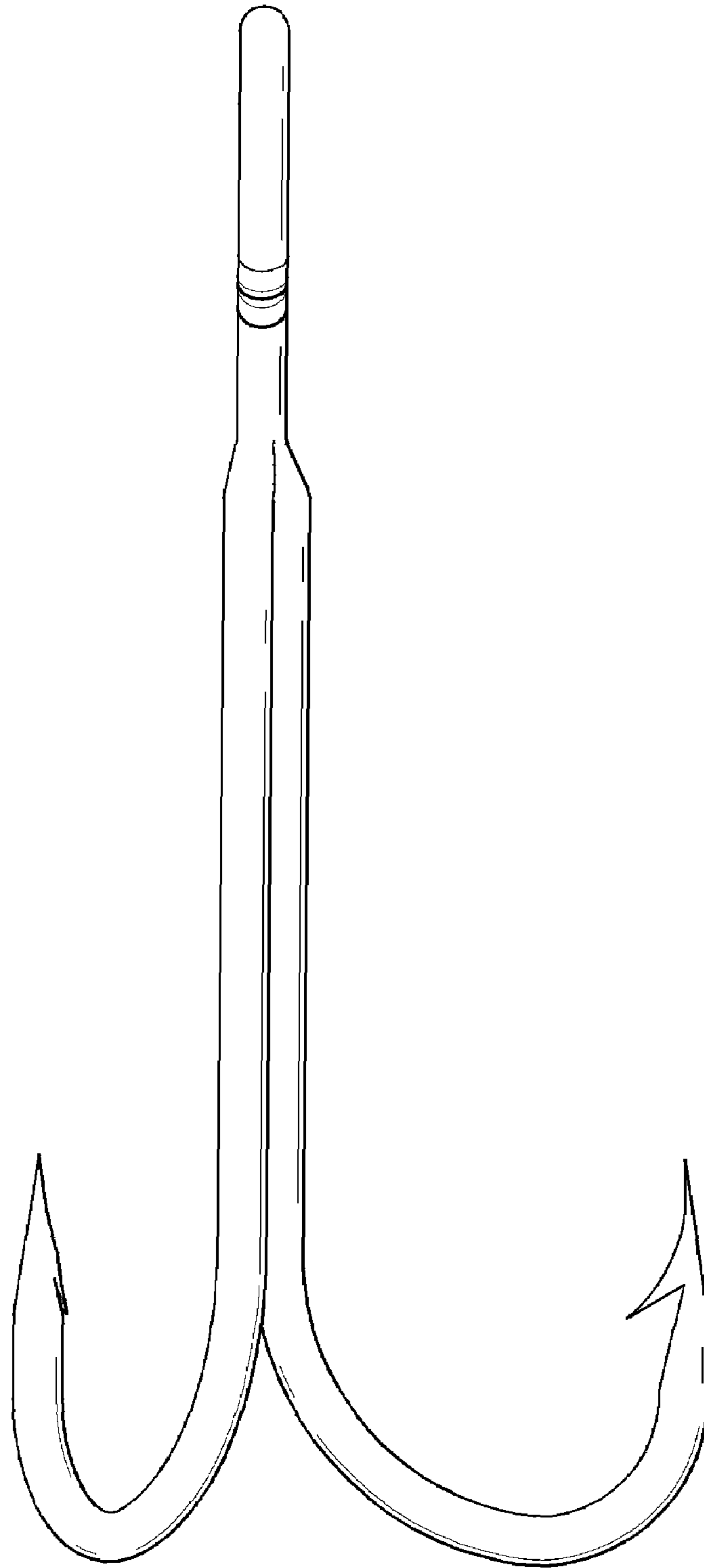
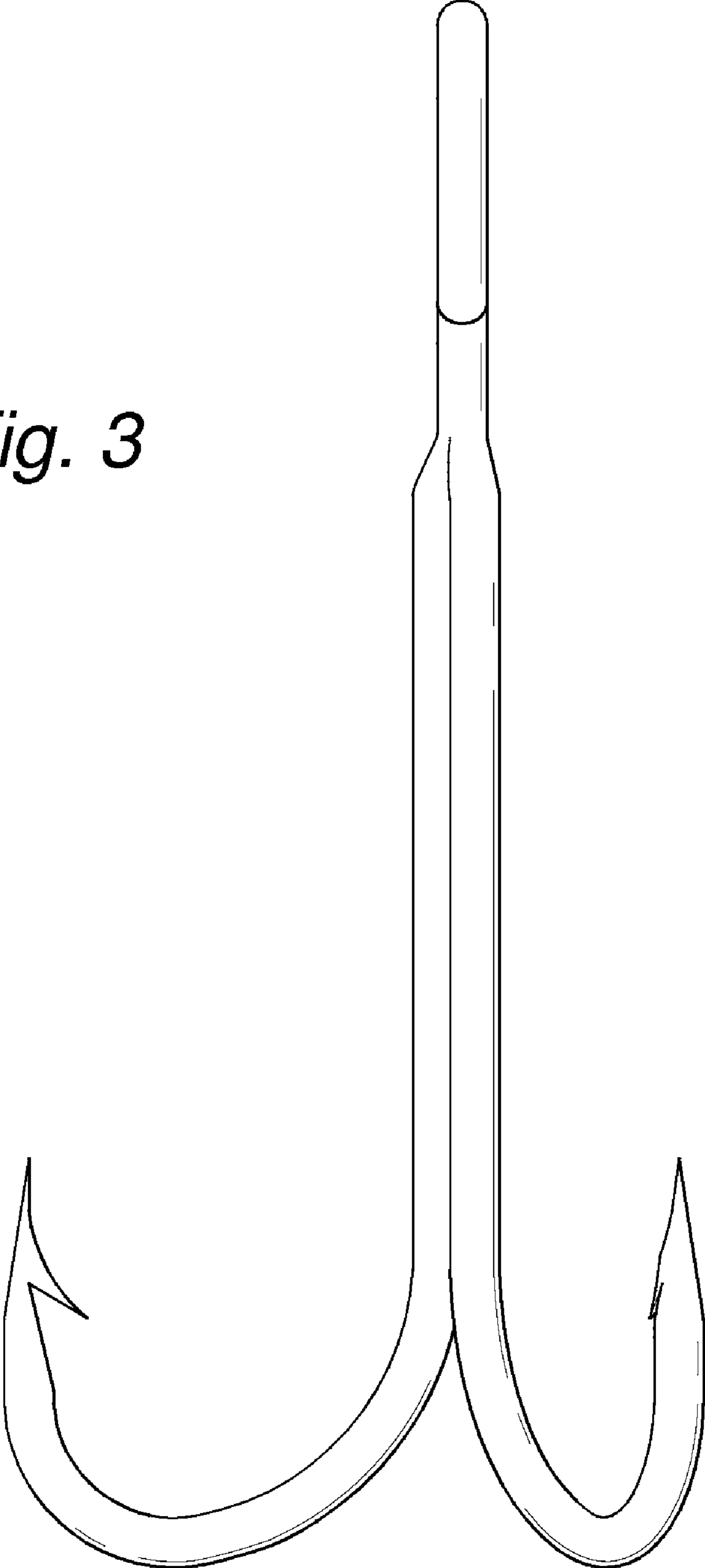


Fig. 2

Fig. 3



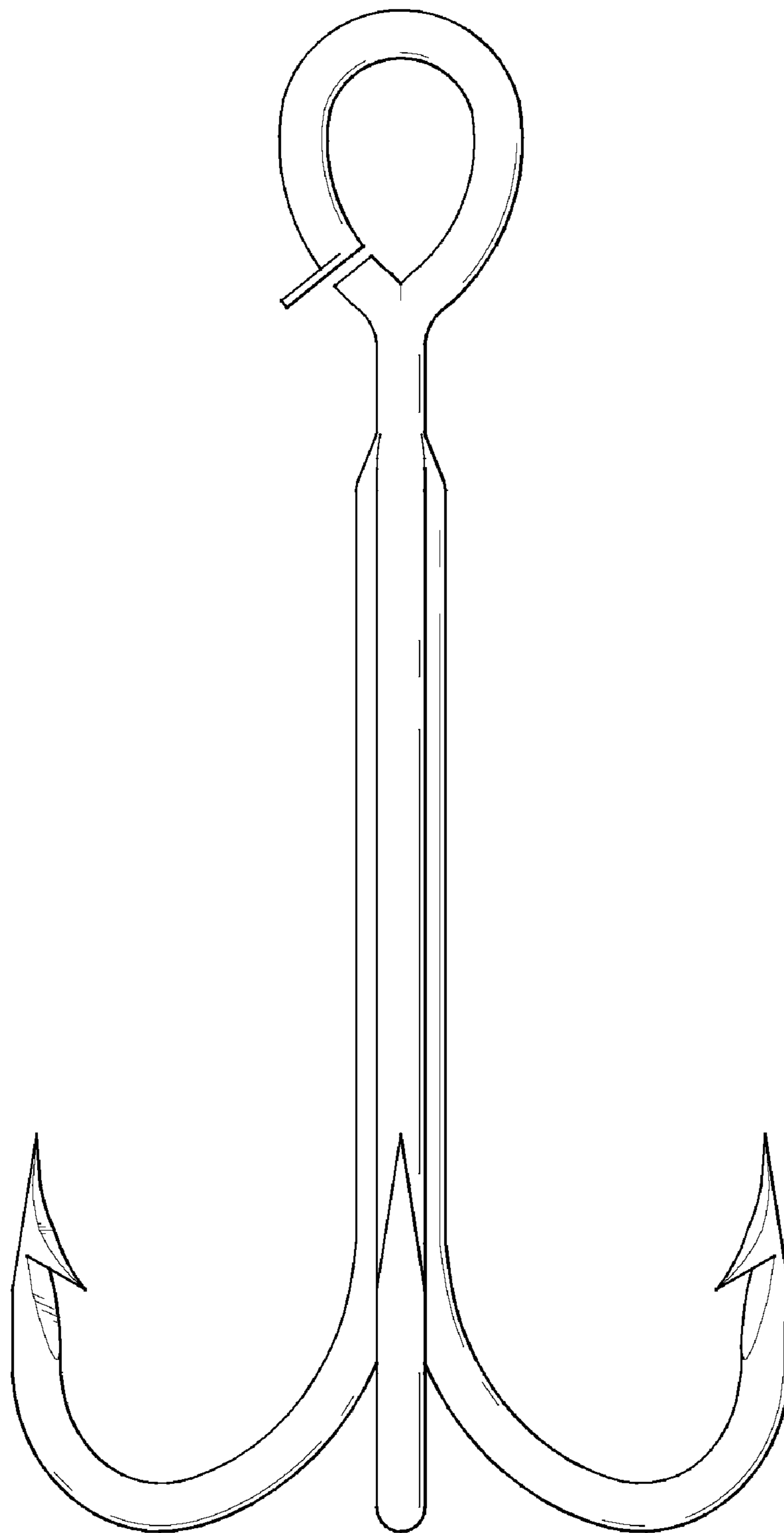


Fig. 4

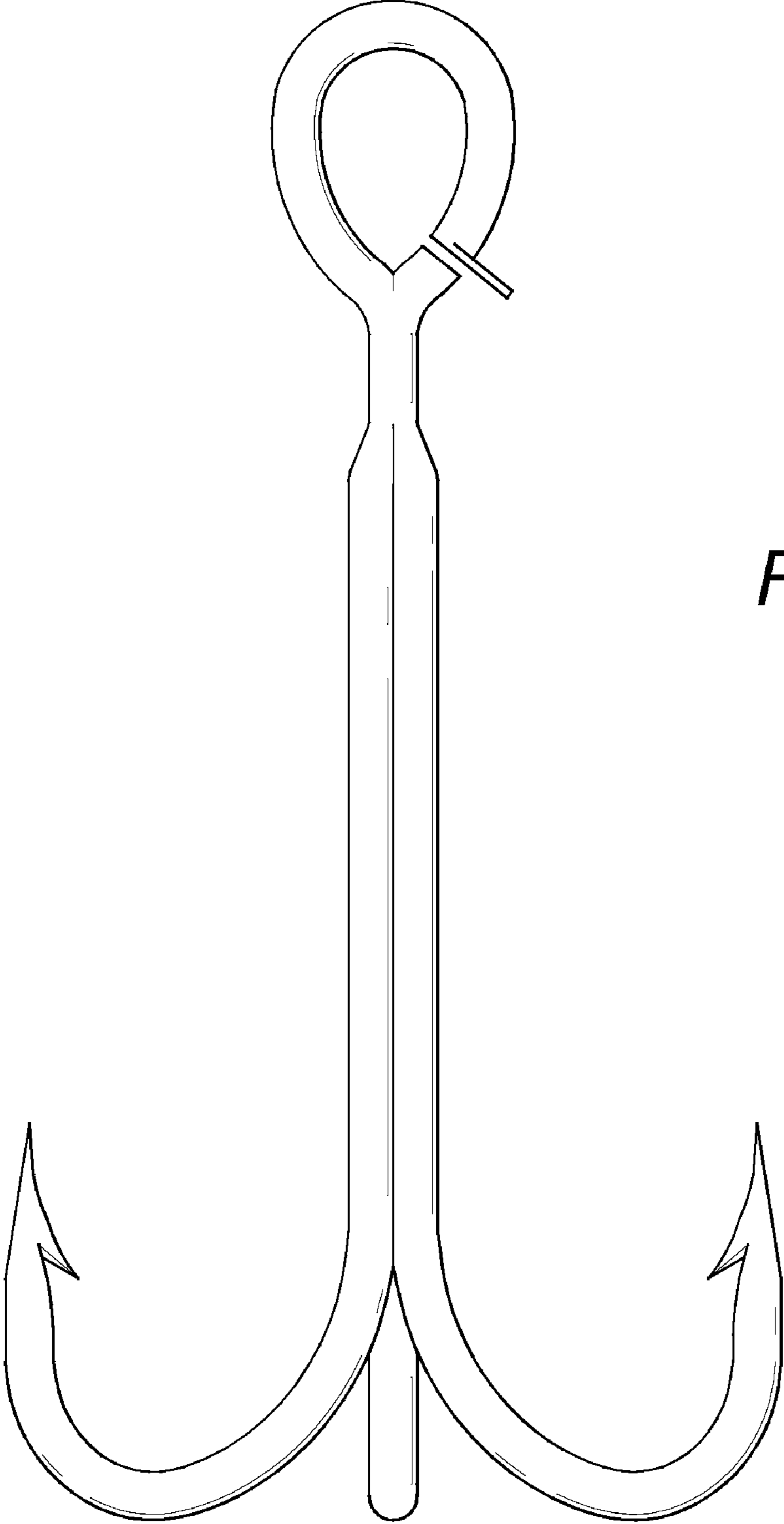


Fig. 5

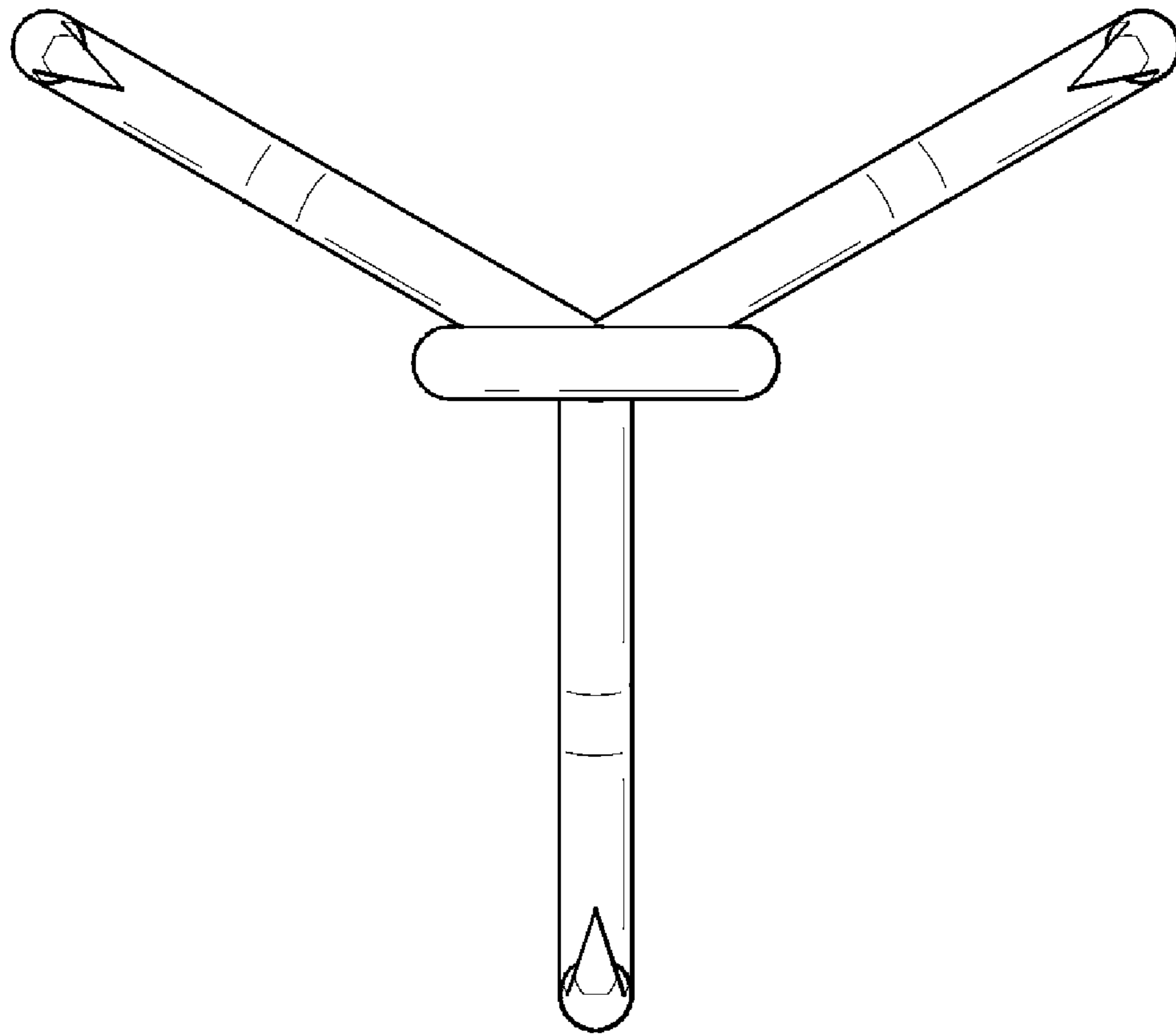


Fig. 6

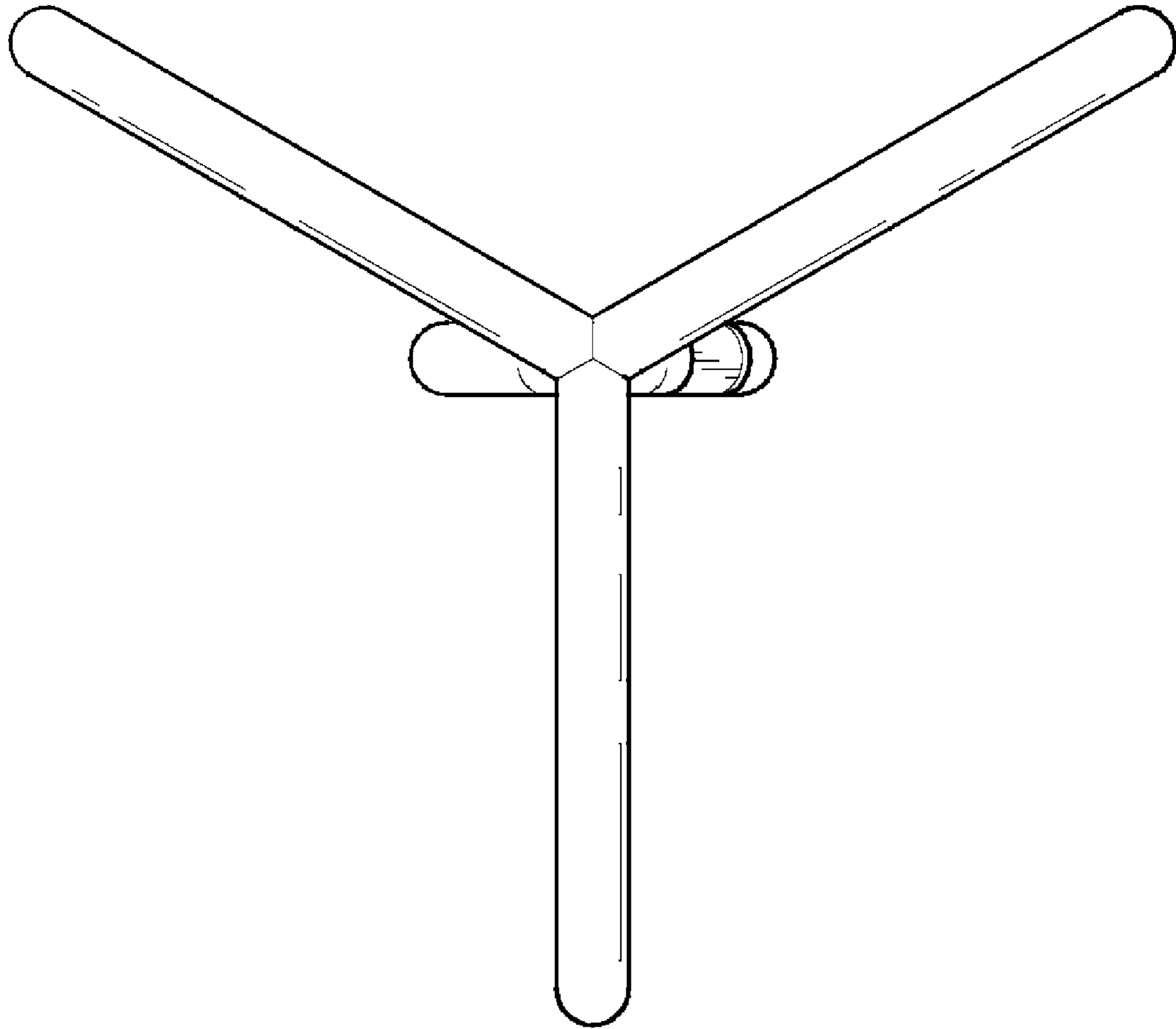


Fig. 7