



US00D609303S

(12) **United States Design Patent**
Brandt et al.

(10) **Patent No.:** **US D609,303 S**

(45) **Date of Patent:** **** Feb. 2, 2010**

(54) **RODENT BAIT STATION**

(75) Inventors: **Guido Brandt**, Mount Waverley (AU);
Jerry Chiang, Mount Waverley (AU);
Daniel Serra, Flemington (AU)

(73) Assignee: **Reckitt Benckiser (Australia) Pty Limited**, West Ryde, New South Wales (AU)

(**) Term: **14 Years**

(21) Appl. No.: **29/333,001**

(22) Filed: **Mar. 2, 2009**

(30) **Foreign Application Priority Data**

Sep. 17, 2008 (EM) 0001004261-0001

(51) **LOC (9) Cl.** **22-06**

(52) **U.S. Cl.** **D22/119**

(58) **Field of Classification Search** D22/119-124;
43/121, 124, 131, 132.1

See application file for complete search history.

(56) **References Cited**

U.S. PATENT DOCUMENTS

D289,315 S * 4/1987 Baker et al. D22/119

4,660,320 A * 4/1987 Baker et al. 43/131
D306,475 S * 3/1990 Bowler D22/119
D306,637 S * 3/1990 Henderson D22/119
D311,236 S * 10/1990 Petersen et al. D22/119
5,040,327 A * 8/1991 Stack et al. 43/131
D385,611 S * 10/1997 Prince et al. D22/119

* cited by examiner

Primary Examiner—Catherine R Oliver

(74) *Attorney, Agent, or Firm*—Norris, McLaughlin & Marcus

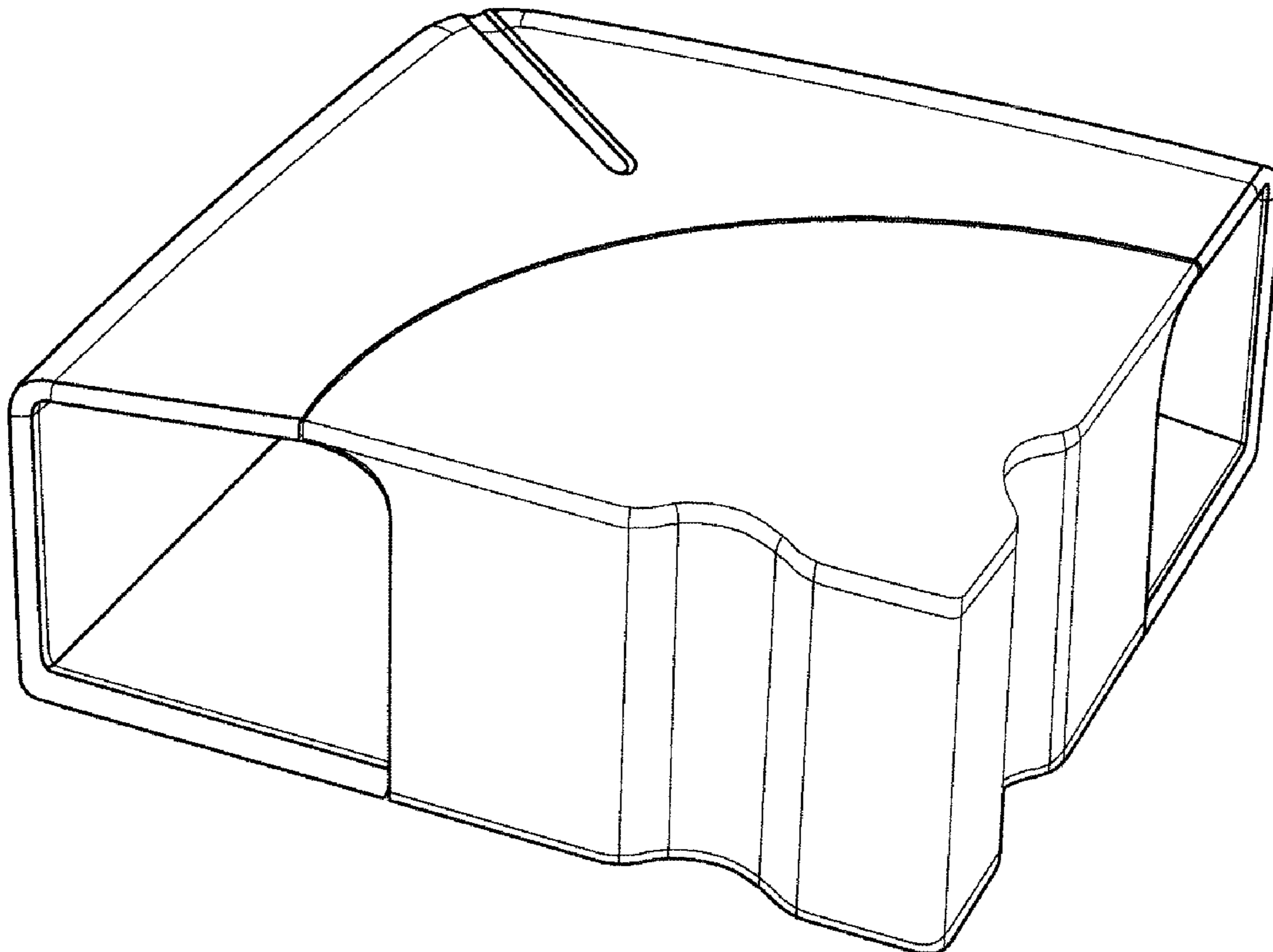
(57) **CLAIM**

The ornamental design for an rodent bait station, as shown and described.

DESCRIPTION

FIG. 1 is front perspective view of our rodent bait station;
FIG. 2 is a front elevational view thereof;
FIG. 3 is a rear elevational view thereof;
FIG. 4 is a right side elevational view thereof;
FIG. 5 is a left side elevational view thereof;
FIG. 6 is a top plan view thereof; and,
FIG. 7 is a bottom plan view thereof.

1 Claim, 3 Drawing Sheets



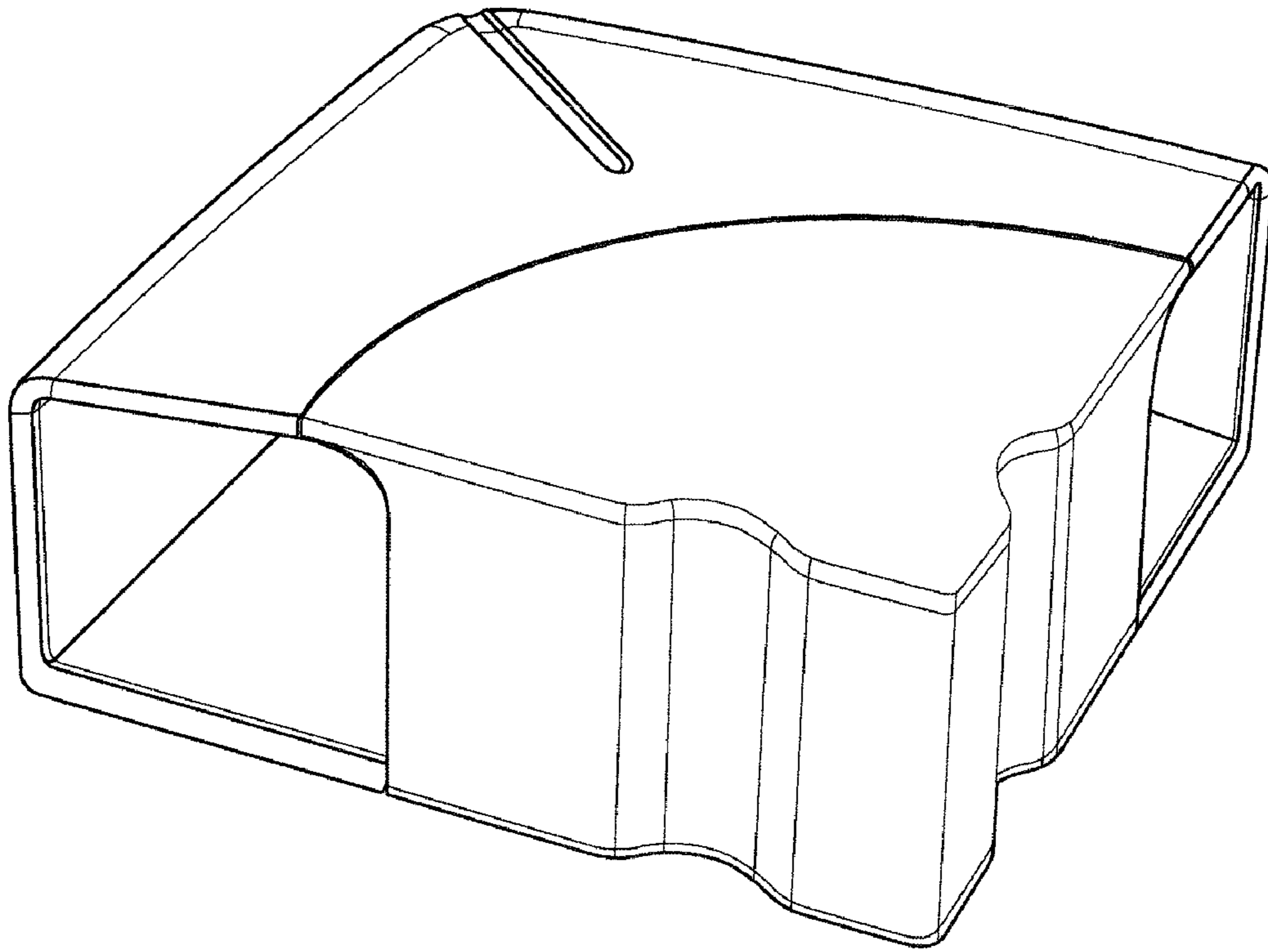


FIG. 1

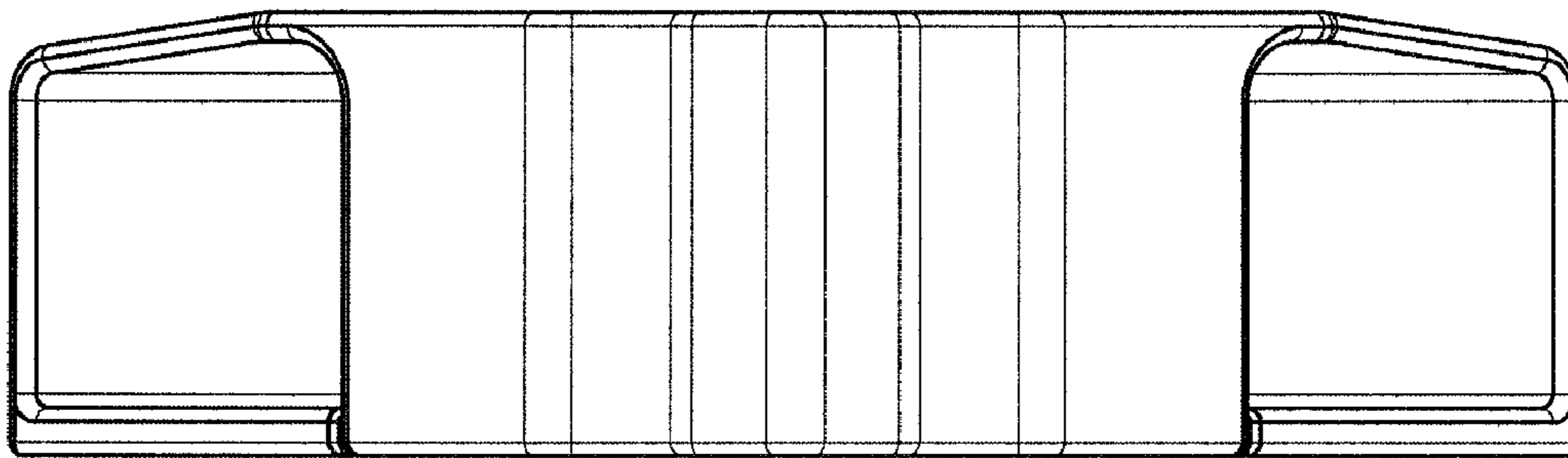


FIG. 2

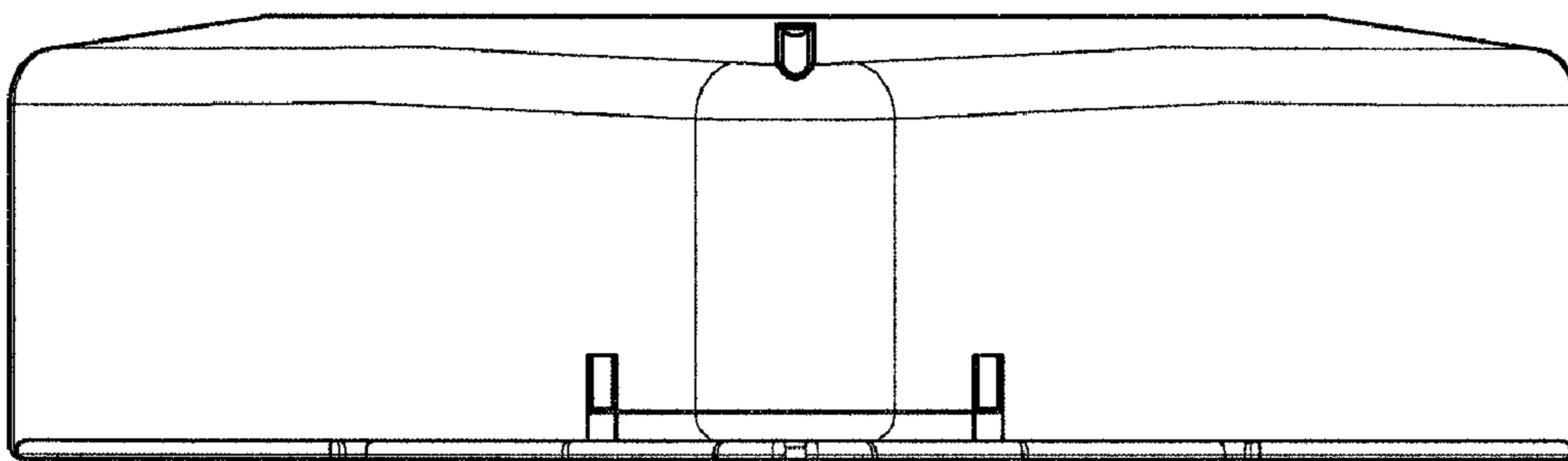


FIG. 3

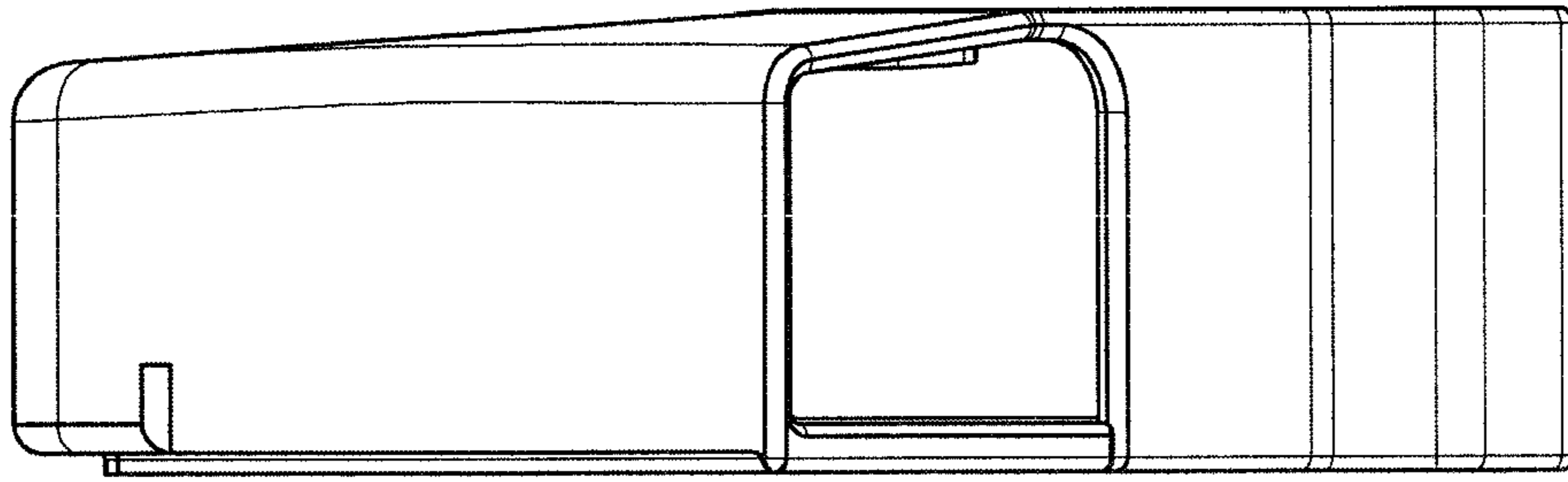


FIG. 4

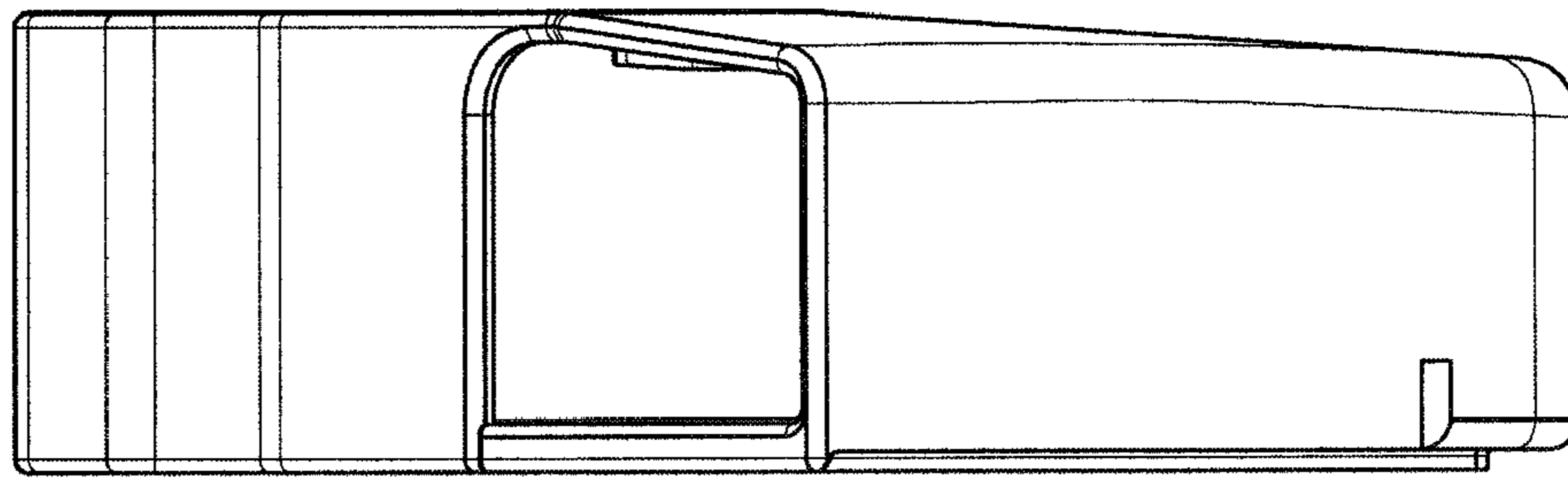


FIG. 5

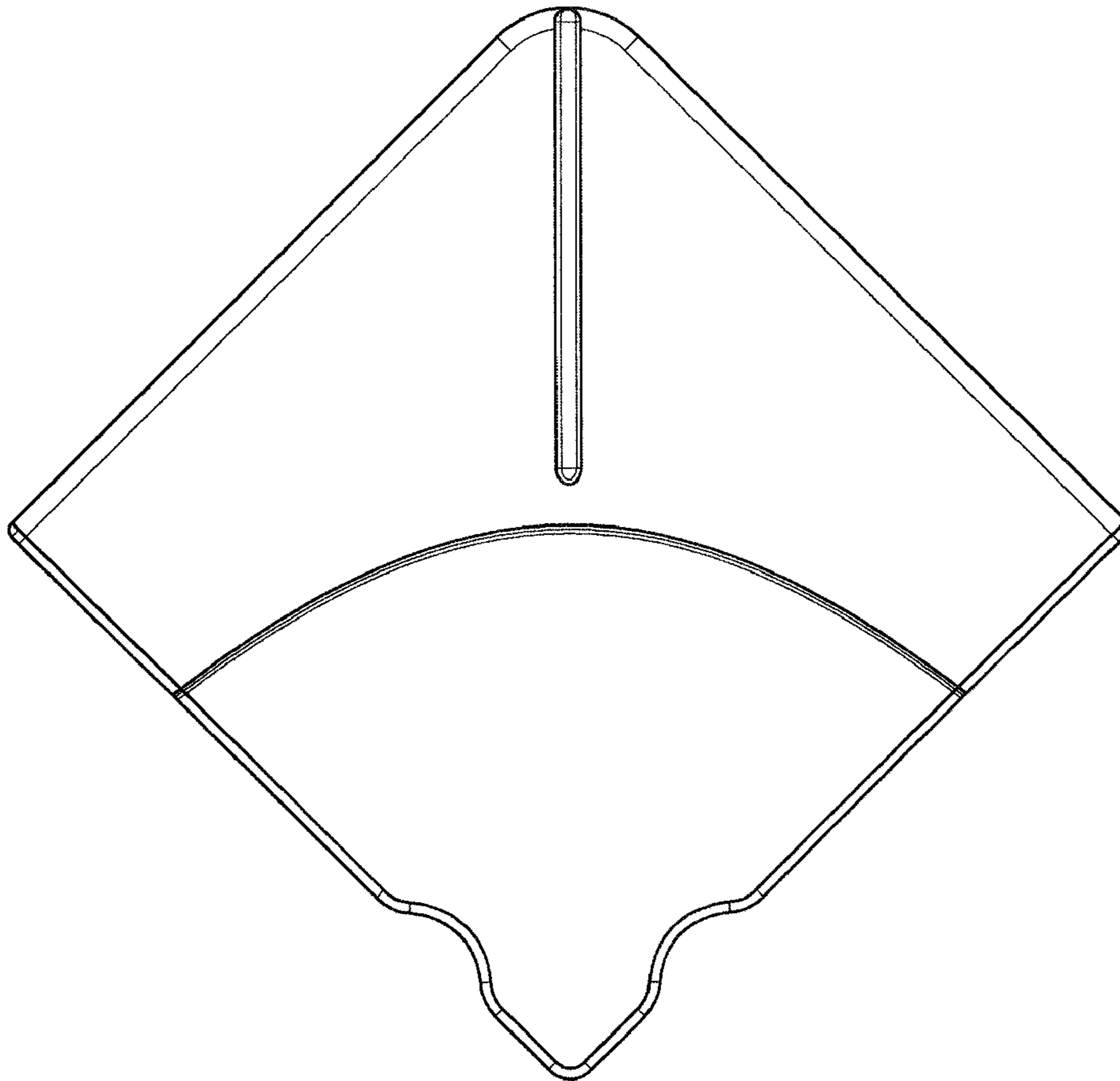


FIG. 6

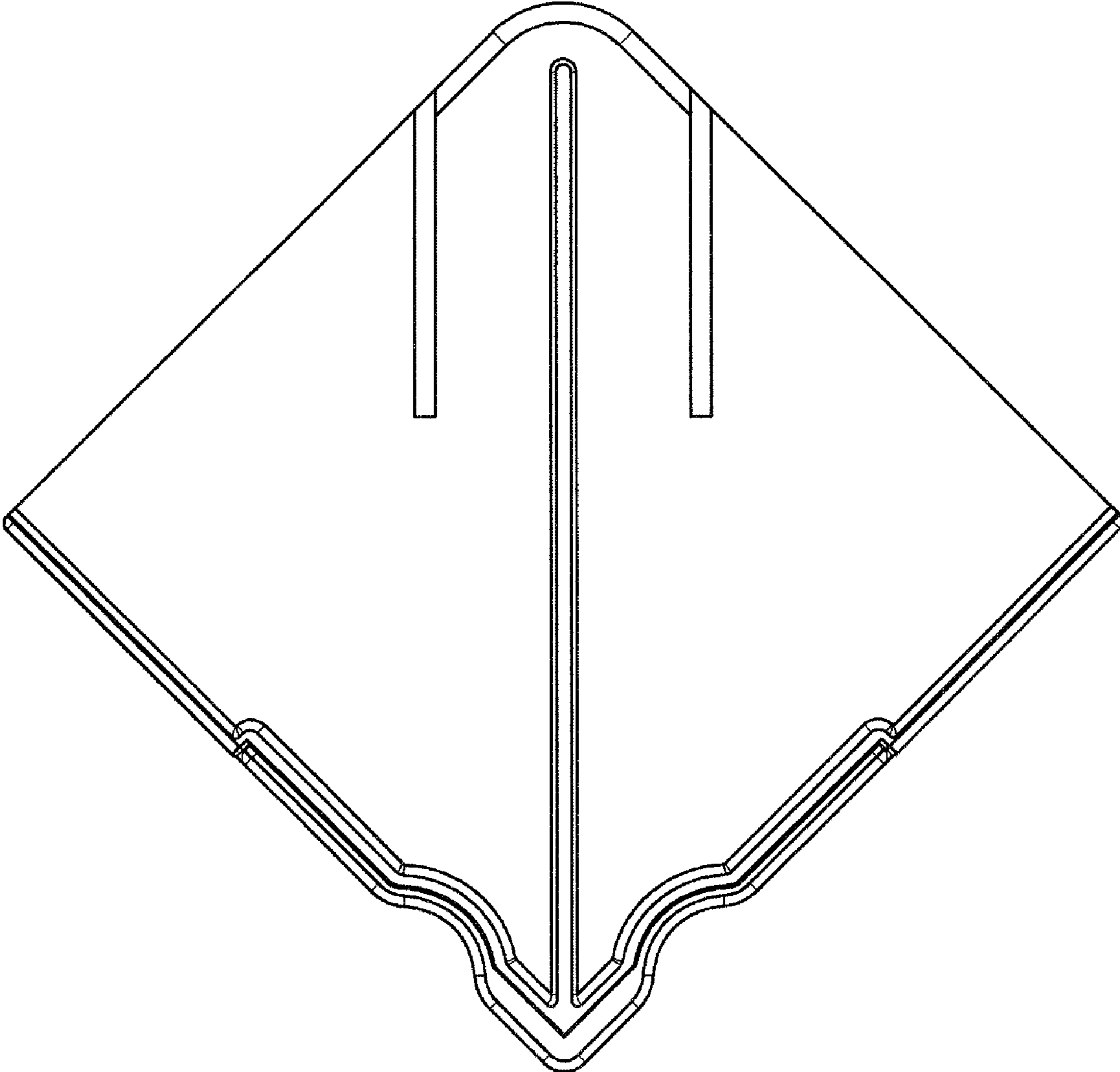


FIG. 7