



US00D609301S

(12) **United States Design Patent**  
**Cirjak et al.**

(10) **Patent No.:** **US D609,301 S**

(45) **Date of Patent:** **\*\* Feb. 2, 2010**

(54) **AMUSEMENT FLOAT**

(75) Inventors: **Robert Cirjak**, Bocholt (DE); **Romann Rademacher**, Bocholt (DE)

(73) Assignee: **Wibit Sports GmbH**, Bocholt (DE)

(\*\*) Term: **14 Years**

(21) Appl. No.: **29/327,985**

(22) Filed: **Nov. 17, 2008**

(51) **LOC (9) Cl.** ..... **21-02**

(52) **U.S. Cl.** ..... **D21/803**

(58) **Field of Classification Search** ..... D21/769–770,  
D21/801, 803, 809; 114/253, 345–346; 441/35,  
441/66, 40–42, 129–132; 472/128–129;  
D12/5, 6, 316

See application file for complete search history.

(56) **References Cited**

**U.S. PATENT DOCUMENTS**

4,875,427	A *	10/1989	Harris, Jr.	.....	114/219
D323,292	S *	1/1992	Jones	.....	D9/424
D329,895	S *	9/1992	Chumsae	.....	D23/393
D385,452	S *	10/1997	Marti	.....	D6/601
D391,109	S *	2/1998	Miller	.....	D6/596
D395,751	S *	7/1998	Dominique	.....	D3/233
6,055,923	A *	5/2000	Militzer	.....	114/210

D505,291	S *	5/2005	Dalset	.....	D6/601
D547,051	S *	7/2007	Kirk et al.	.....	D3/203.1
7,252,045	B2 *	8/2007	Masseti et al.	.....	114/230.2
D561,992	S *	2/2008	Linsley	.....	D3/271.1

\* cited by examiner

*Primary Examiner*—Janice E Seeger

*Assistant Examiner*—Zenia I Bennett

(74) *Attorney, Agent, or Firm*—David S. Safran; Roberts Mlotkowski Safran & Cole, P.C.

(57) **CLAIM**

The ornamental design for an amusement float, as shown and described.

**DESCRIPTION**

FIG. 1 is a left front perspective view showing our new design;

FIG. 2 is a side view of our design, the opposite side being the same;

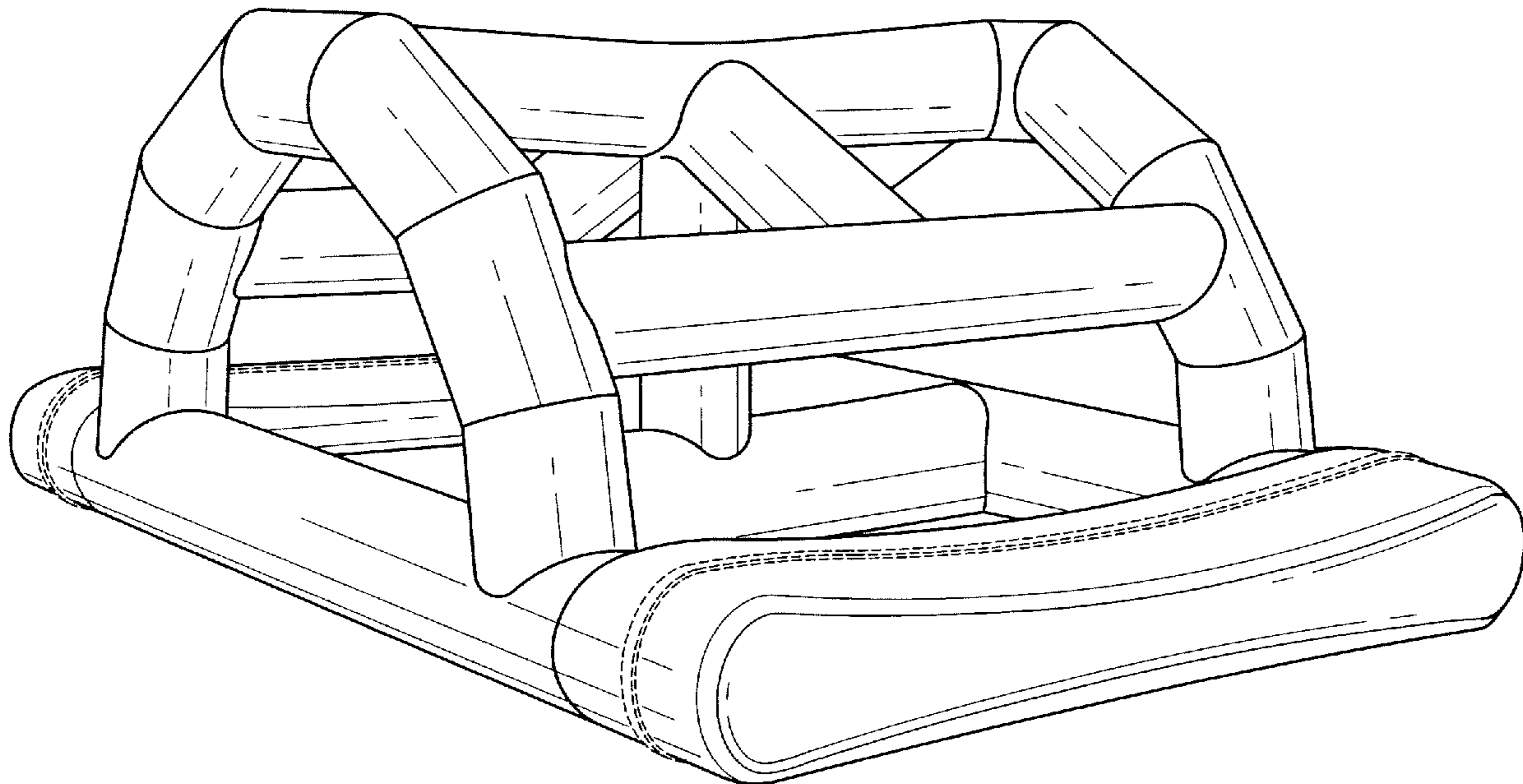
FIG. 3 is a front view of our design, the rear view being the same;

FIG. 4 is a bottom view of our design; and,

FIG. 5 is a top view of our design.

The broken lines in the drawing are for illustrative purposes only and form no part of the claimed design.

**1 Claim, 5 Drawing Sheets**



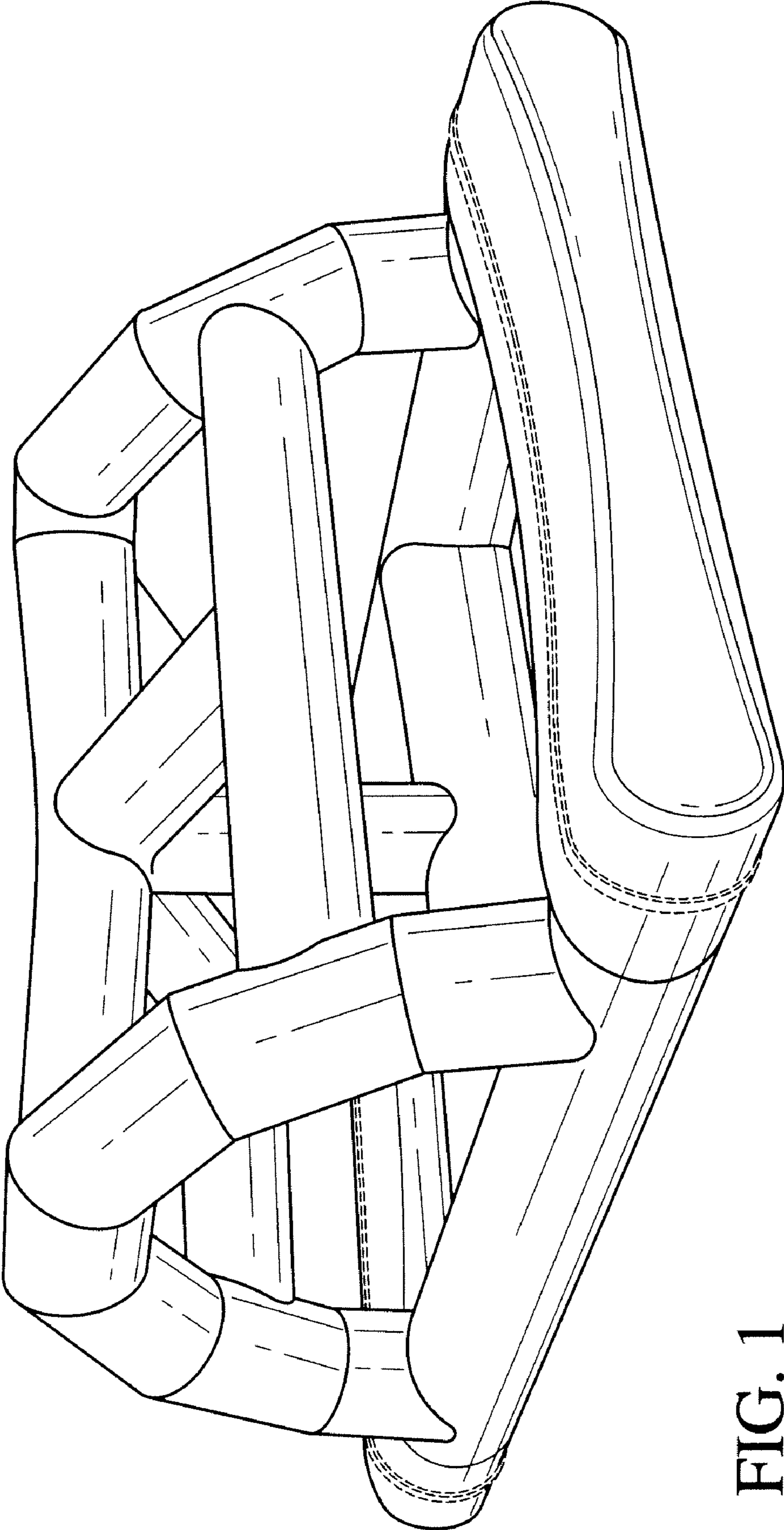


FIG. 1

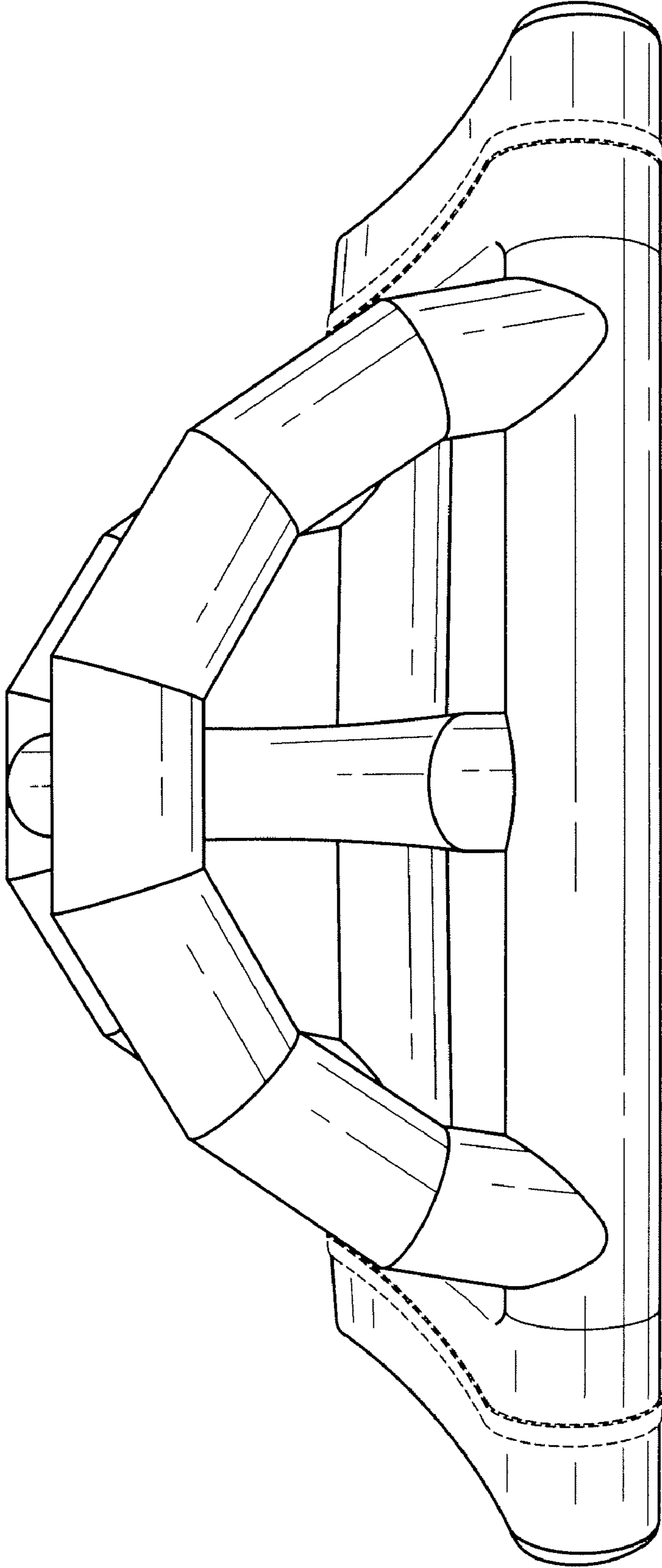


FIG. 2

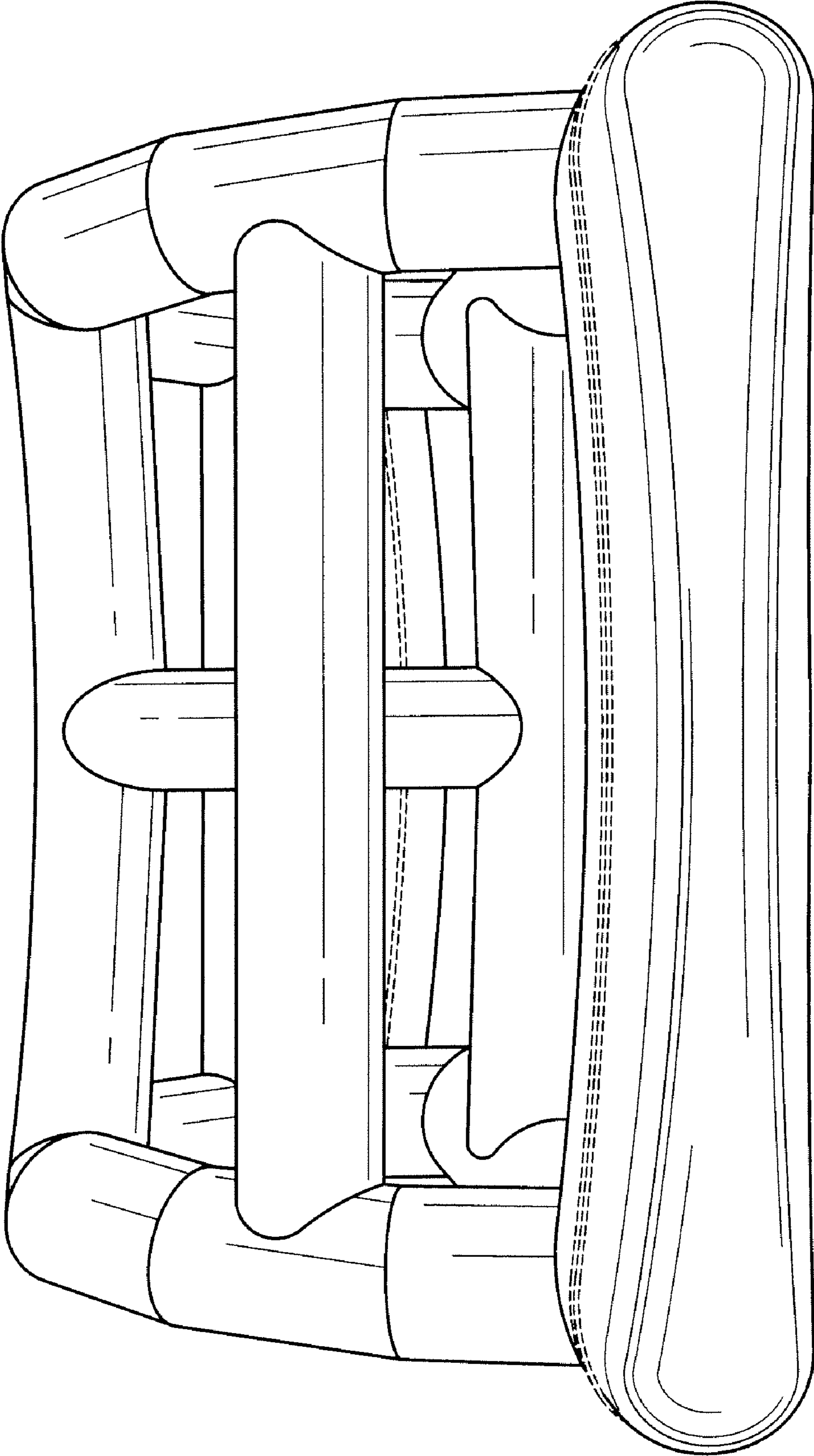


FIG. 3

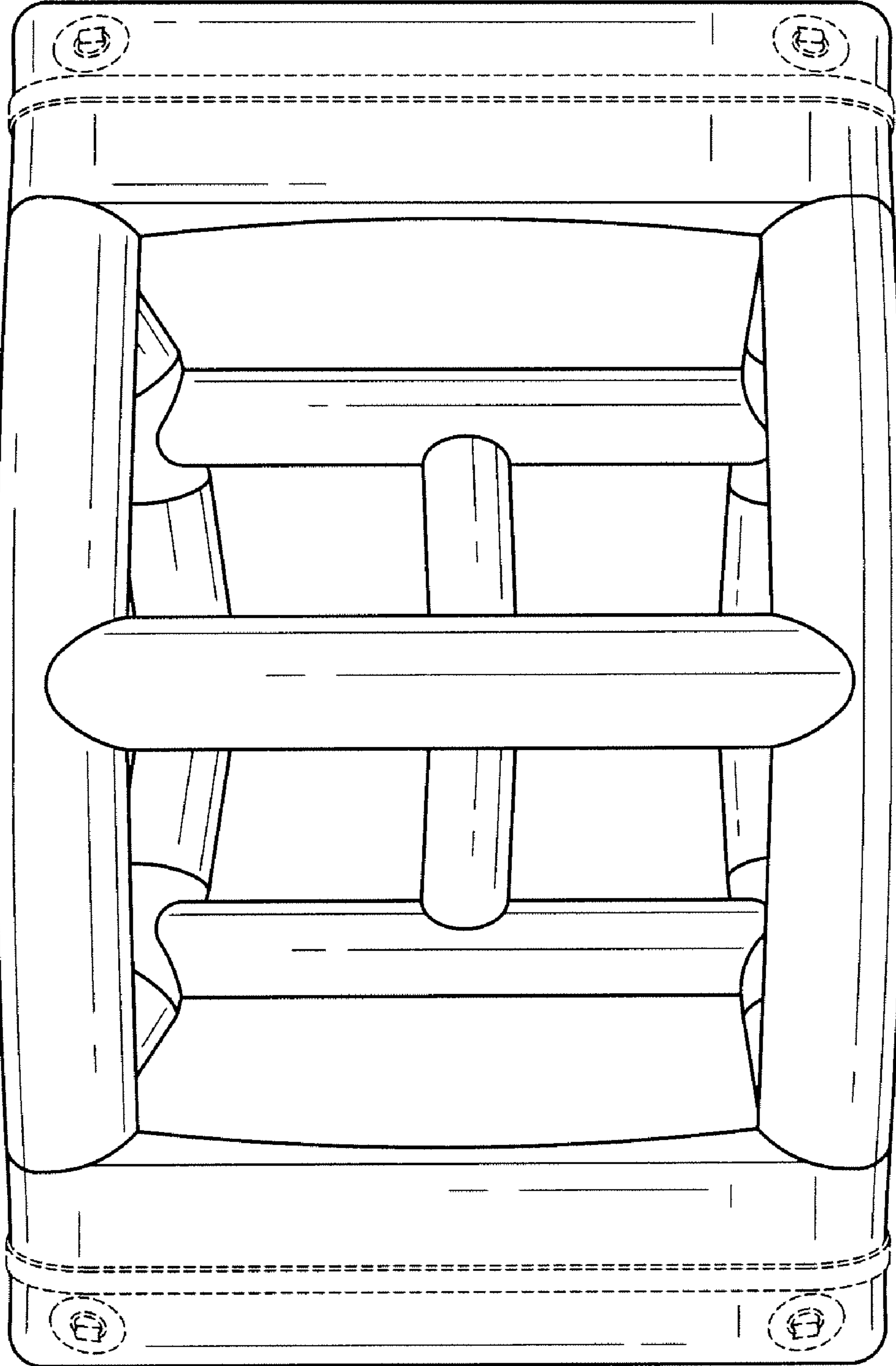


FIG. 4

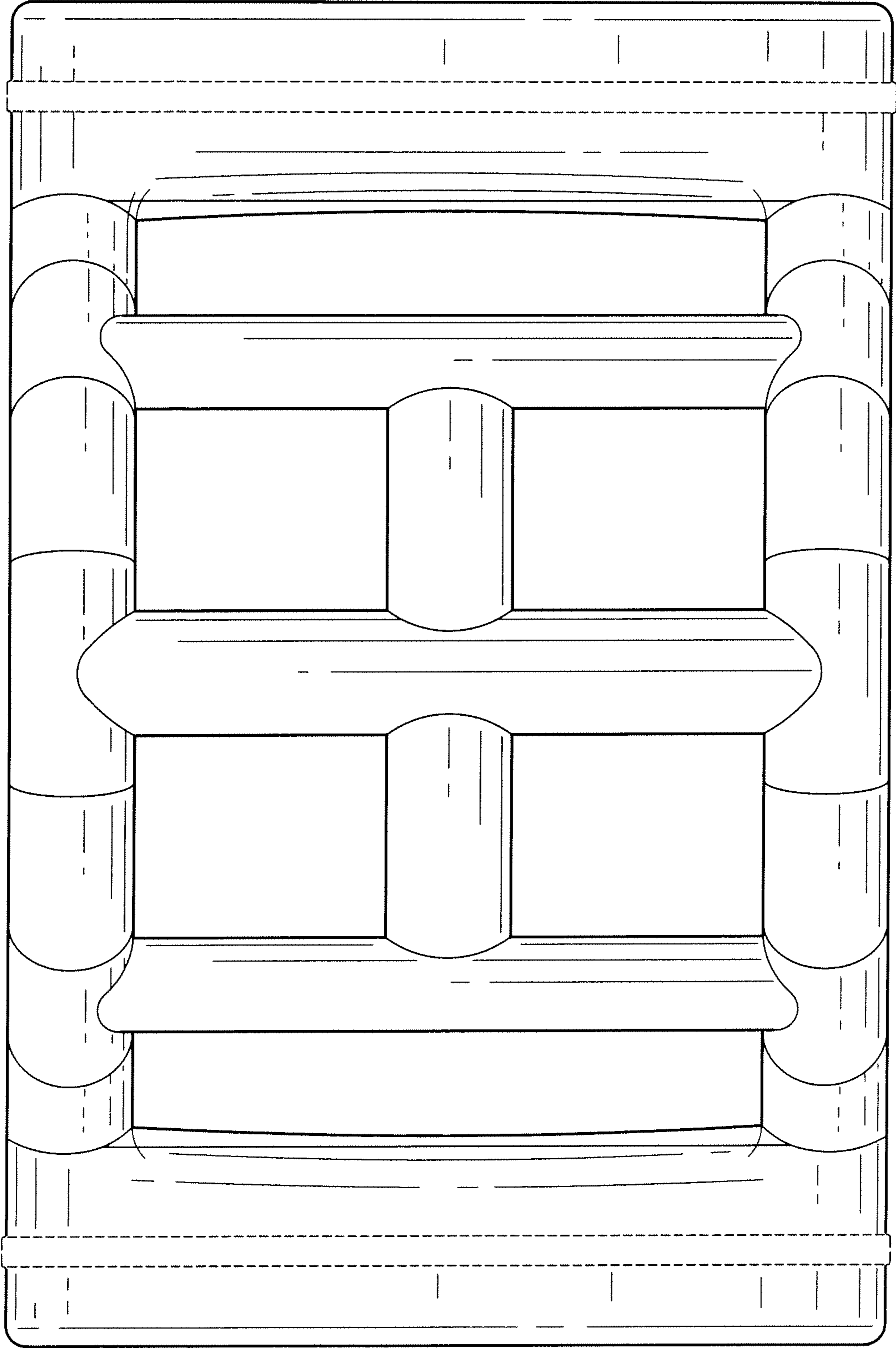


FIG. 5