



US00D609300S

(12) **United States Design Patent**
Oldknow

(10) **Patent No.:** **US D609,300 S**

(45) **Date of Patent:** **** Feb. 2, 2010**

(54) **GOLF CLUB HEAD**

(75) Inventor: **Andrew G. V. Oldknow**, Portland, OR
(US)

(73) Assignee: **NIKE, Inc.**, Beaverton, OR (US)

(**) Term: **14 Years**

(21) Appl. No.: **29/346,862**

(22) Filed: **Nov. 6, 2009**

(51) **LOC (9) Cl.** **21-02**

(52) **U.S. Cl.** **D21/759**

(58) **Field of Classification Search** D21/733,
D21/752, 759; 473/324–331, 343–346
See application file for complete search history.

(56) **References Cited**

U.S. PATENT DOCUMENTS

D239,187 S	3/1976	Smith
D275,412 S	9/1984	Simmons
D275,590 S	9/1984	Duclos
D316,583 S	4/1991	Mahaffey et al.
5,203,565 A	4/1993	Murray et al.
D363,961 S	11/1995	Krzynowek et al.
5,544,884 A	8/1996	Hardman
D385,003 S	10/1997	Burrows
D390,294 S	2/1998	Burrows
D390,295 S	2/1998	Burrows
D390,616 S	2/1998	Maltby
D397,749 S	9/1998	Burrows
D401,299 S	11/1998	Burrows
D411,600 S	6/1999	Antonious
D412,545 S	8/1999	Best et al.
D413,642 S	9/1999	Burrows
D413,953 S	9/1999	Burrows
5,989,134 A	11/1999	Antonious
D436,389 S	1/2001	Adams et al.
D438,583 S	3/2001	O'Doherty et al.
6,530,847 B1	3/2003	Antonious
6,855,068 B2	2/2005	Antonious
6,860,818 B2	3/2005	Mahaffey et al.
6,890,267 B2	5/2005	Mahaffey et al.
D509,272 S	9/2005	Smith et al.

D514,179 S	1/2006	Chen et al.
6,988,960 B2	1/2006	Mahaffey et al.
D515,643 S	2/2006	Ortiz
D516,147 S	2/2006	Imamoto
D521,090 S	5/2006	Burrows
D523,498 S	6/2006	Chen et al.
D524,392 S	7/2006	Madore et al.
D524,393 S	7/2006	Madore et al.
D524,394 S	7/2006	Madore et al.
D524,395 S	7/2006	Madore et al.
D524,396 S	7/2006	Madore et al.
D524,397 S	7/2006	Madore et al.
D532,474 S *	11/2006	Bennett et al. D21/759

(Continued)

OTHER PUBLICATIONS

Air Bear Woods, Edwin Watts Golf Catalog, Summer 1998, p. 4.

(Continued)

Primary Examiner—Mitchell I Siegel
(74) *Attorney, Agent, or Firm*—Banner & Witcoff, Ltd.

(57) **CLAIM**

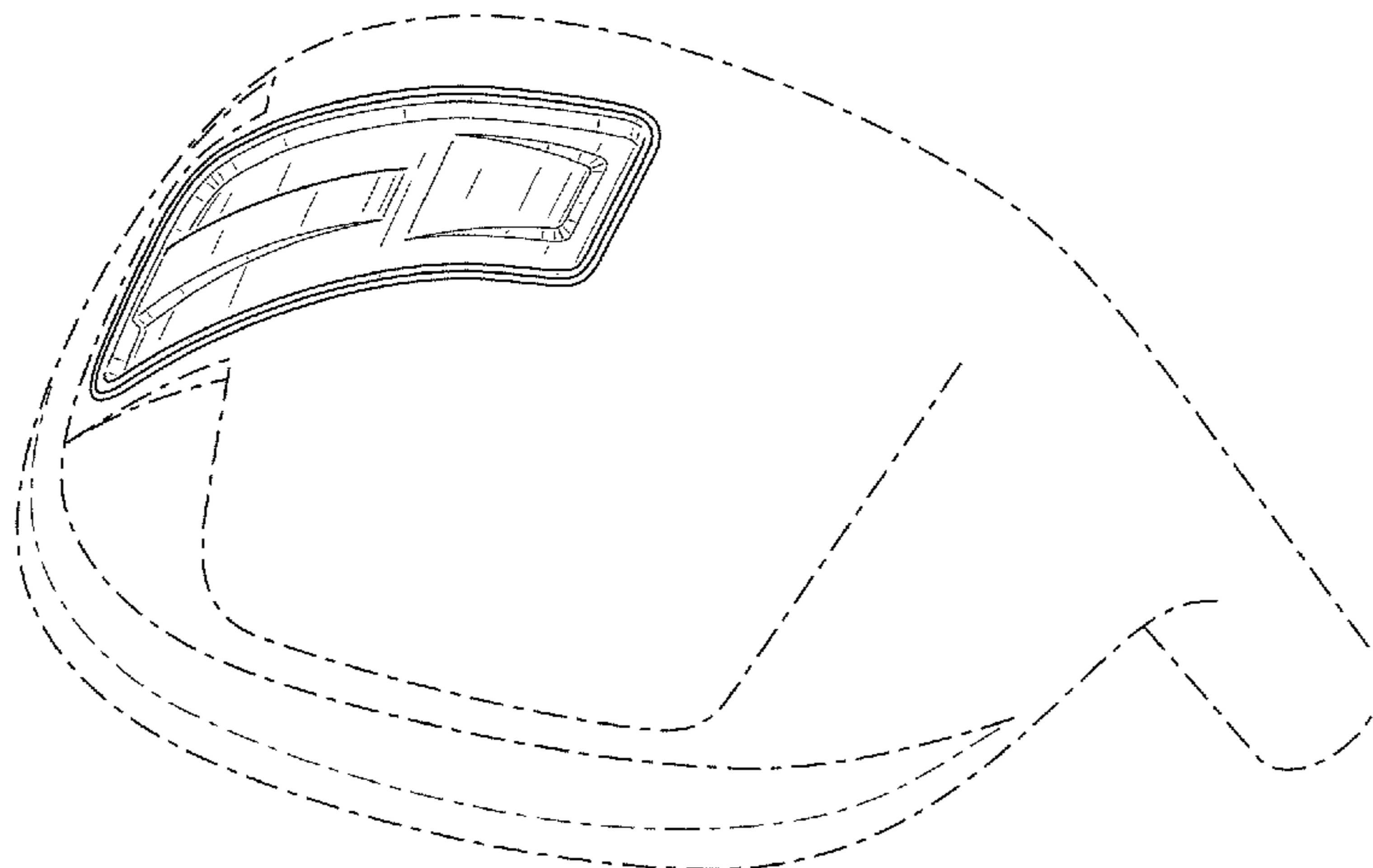
The ornamental design for a golf club head, as shown and described.

DESCRIPTION

FIG. 1 is a bottom perspective view of a golf club head showing my new design;
FIG. 2 is a bottom view thereof;
FIG. 3 is a toe end view thereof;
FIG. 4 is a rear view thereof;
FIG. 5 is a heel end view thereof;
FIG. 6 is a front view thereof; and,
FIG. 7 is a top view thereof.

The uneven broken lines are shown for the purpose of illustrating environmental structure and form no part of the claimed design.

1 Claim, 4 Drawing Sheets



US D609,300 S

Page 2

U.S. PATENT DOCUMENTS

D544,561 S 6/2007 Oldknow
D545,930 S * 7/2007 Hooley D21/759
D554,719 S 11/2007 Barez et al.
D554,720 S 11/2007 Barez et al.
D561,856 S 2/2008 Barez et al.
D564,611 S 3/2008 Llewellyn et al.
D577,400 S * 9/2008 Oldknow et al. D21/759
D577,401 S * 9/2008 Oldknow et al. D21/759
D577,402 S * 9/2008 Oldknow et al. D21/759
D577,406 S * 9/2008 Oldknow et al. D21/759
D577,784 S * 9/2008 Oldknow et al. D21/759
D577,785 S * 9/2008 Oldknow et al. D21/759
D577,786 S * 9/2008 Oldknow et al. D21/759
D577,787 S * 9/2008 Oldknow et al. D21/759
D577,788 S * 9/2008 Oldknow et al. D21/759
D585,952 S 2/2009 Kohno
D586,415 S 2/2009 Kohno
D587,772 S 3/2009 Ferguson et al.
D588,220 S 3/2009 Ferguson et al.
D589,100 S 3/2009 Rice et al.
D590,037 S 4/2009 Ruggiero et al.

D590,816 S * 5/2009 Vehse et al. D21/759
D591,810 S 5/2009 Murphy et al.
D591,811 S * 5/2009 Bosilkovski et al. D21/752
D591,816 S 5/2009 Vehse et al.
D591,817 S * 5/2009 Murphy et al. D21/759
D592,258 S * 5/2009 Bosilkovski et al. D21/752
D592,721 S 5/2009 Foster et al.
D594,074 S * 6/2009 Foster et al. D21/752
D594,919 S 6/2009 Schweigert et al.
2007/0054751 A1 3/2007 Breier et al.
2008/0039228 A1 2/2008 Breier et al.
2008/0268979 A1 10/2008 Stites et al.

OTHER PUBLICATIONS

XPC3 Driver Head, Golfsmith Golf Catalog, 1998, p. 50.
O/S Project Power Sweep, Golfsmith Golf Catalog, 2001, p. 53.
Nike CPR Hybrids, Edwin Watts Golf Catalog, Holiday 2004, p. 9.
T-Zoid Forged Driver, Edwin Watts Golf Catalog, Holiday 2001, p. 26.
Cleveland Launcher, Edwin Watts Golf Catalog, Holiday 2002, p. 2.
T-Zoid Blue Rage, Edwin Watts Golf Catalog, Holiday 2002, p. 26.

* cited by examiner

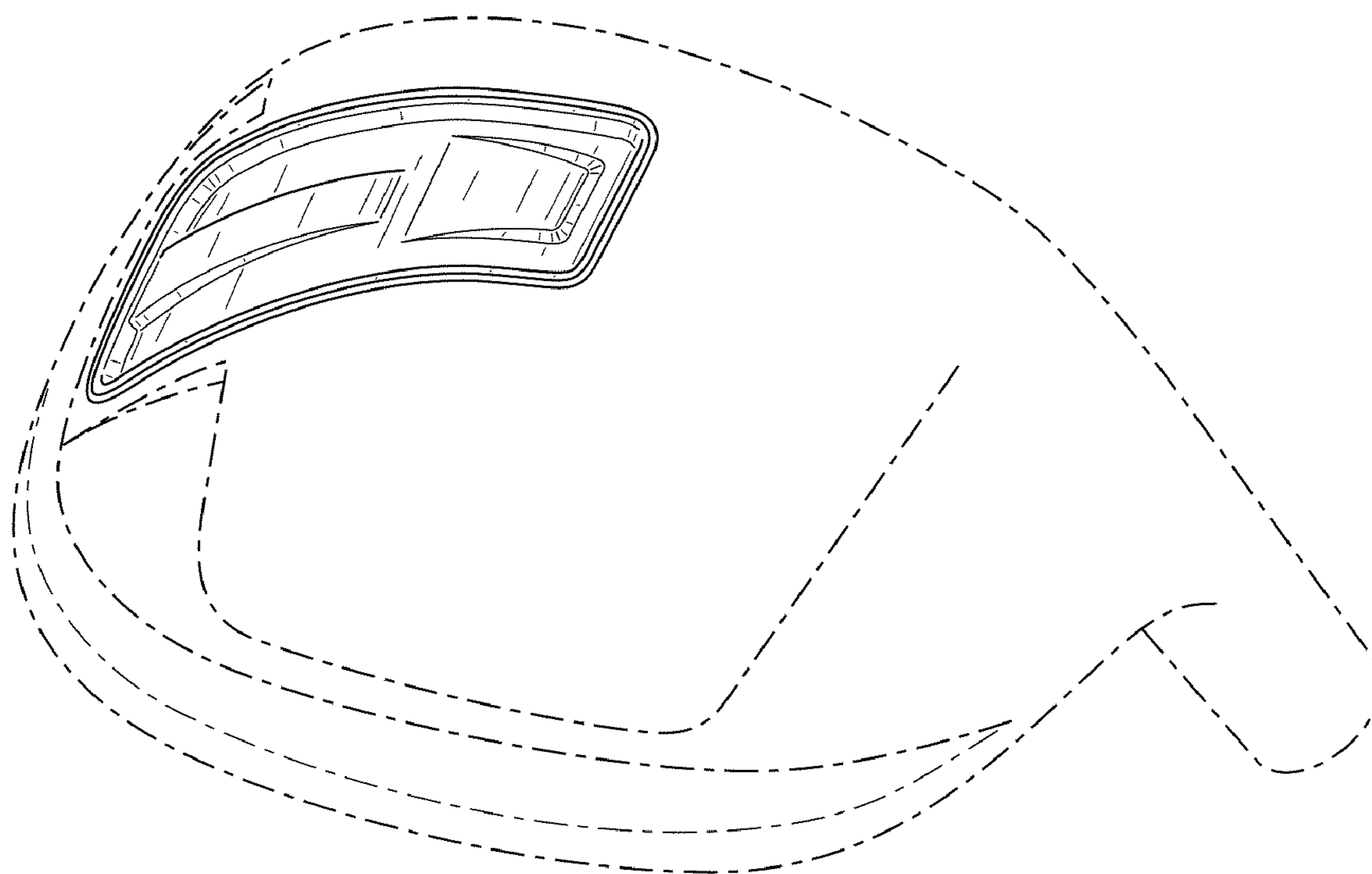


FIG. 1

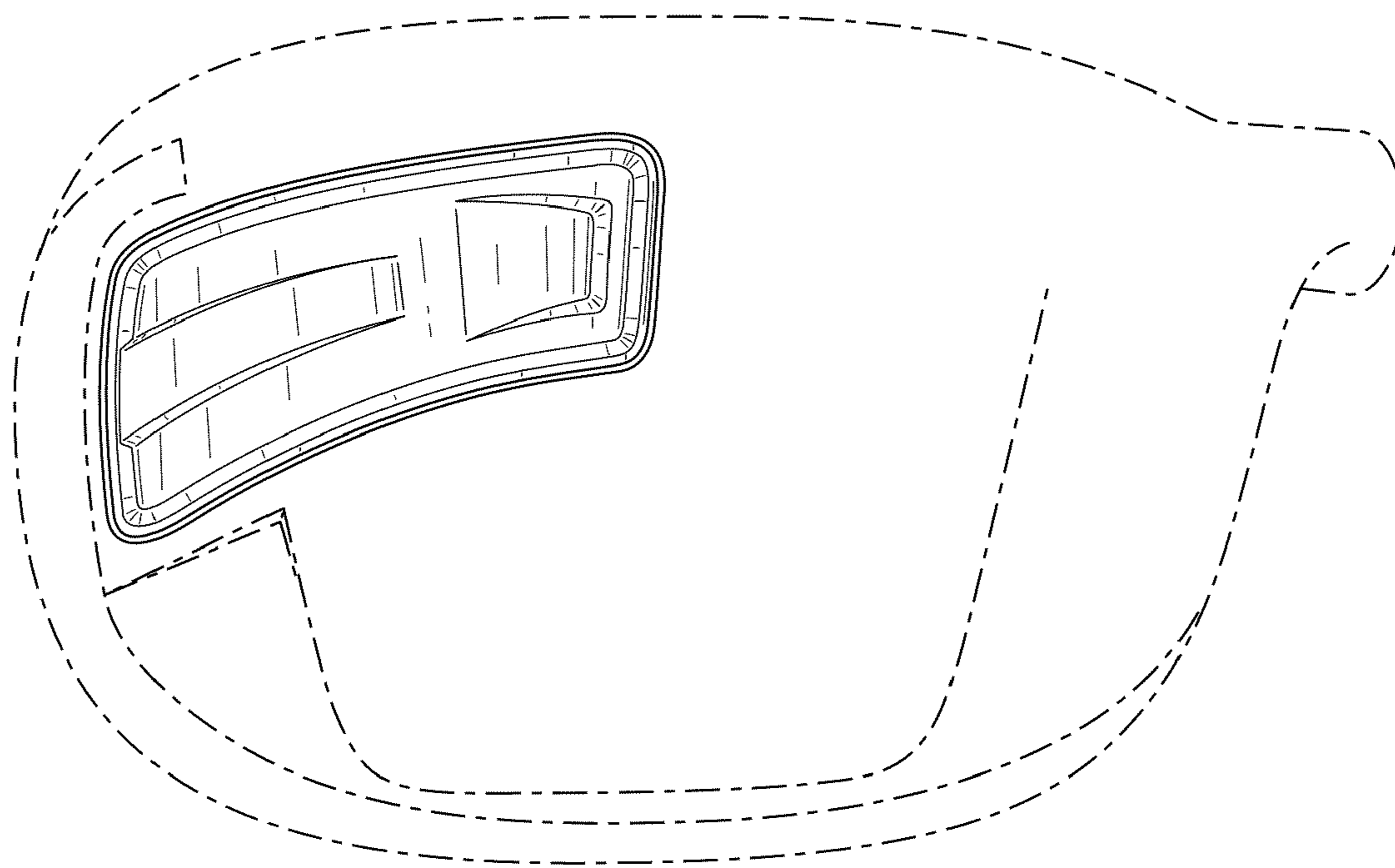


FIG. 2

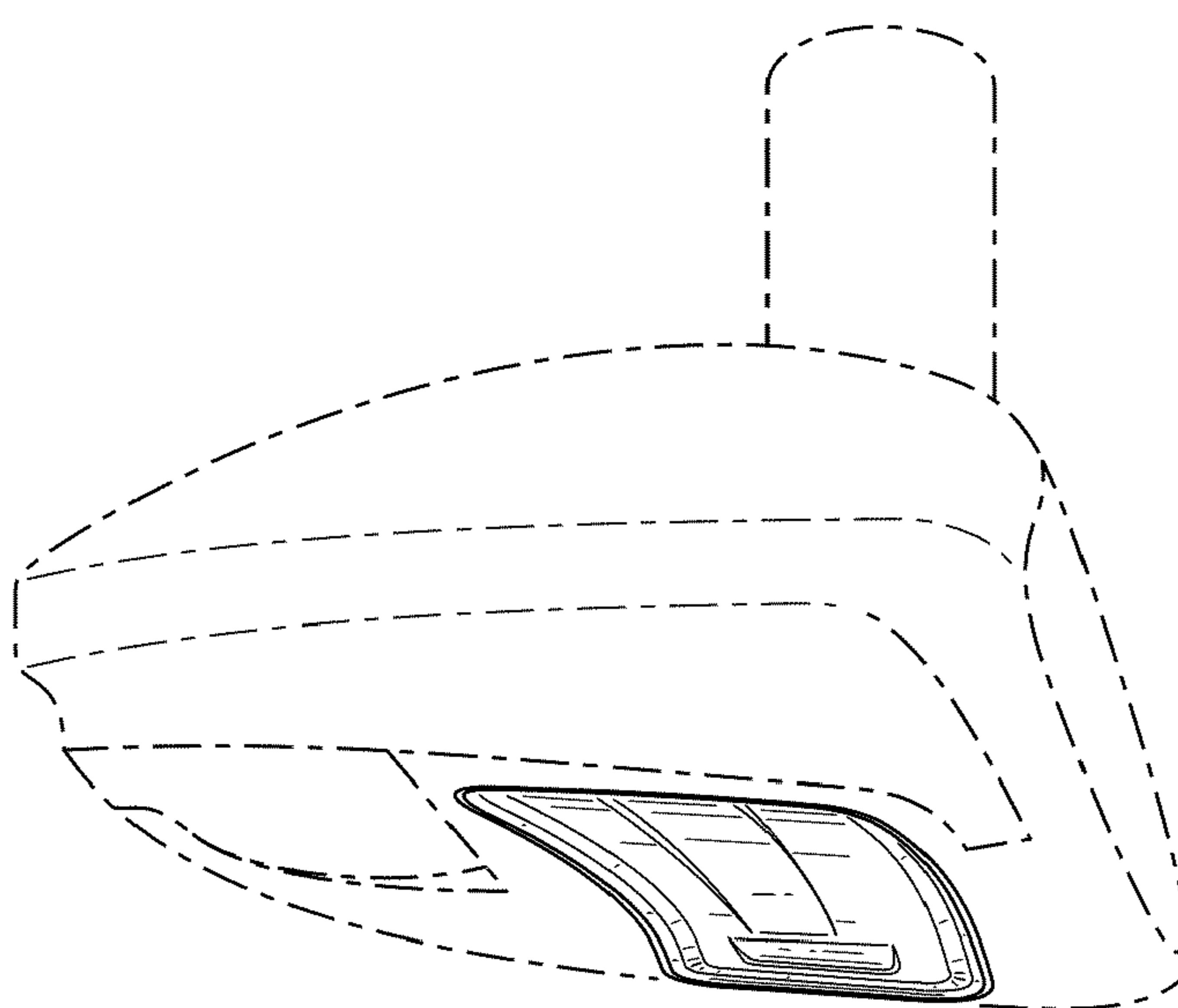


FIG. 3

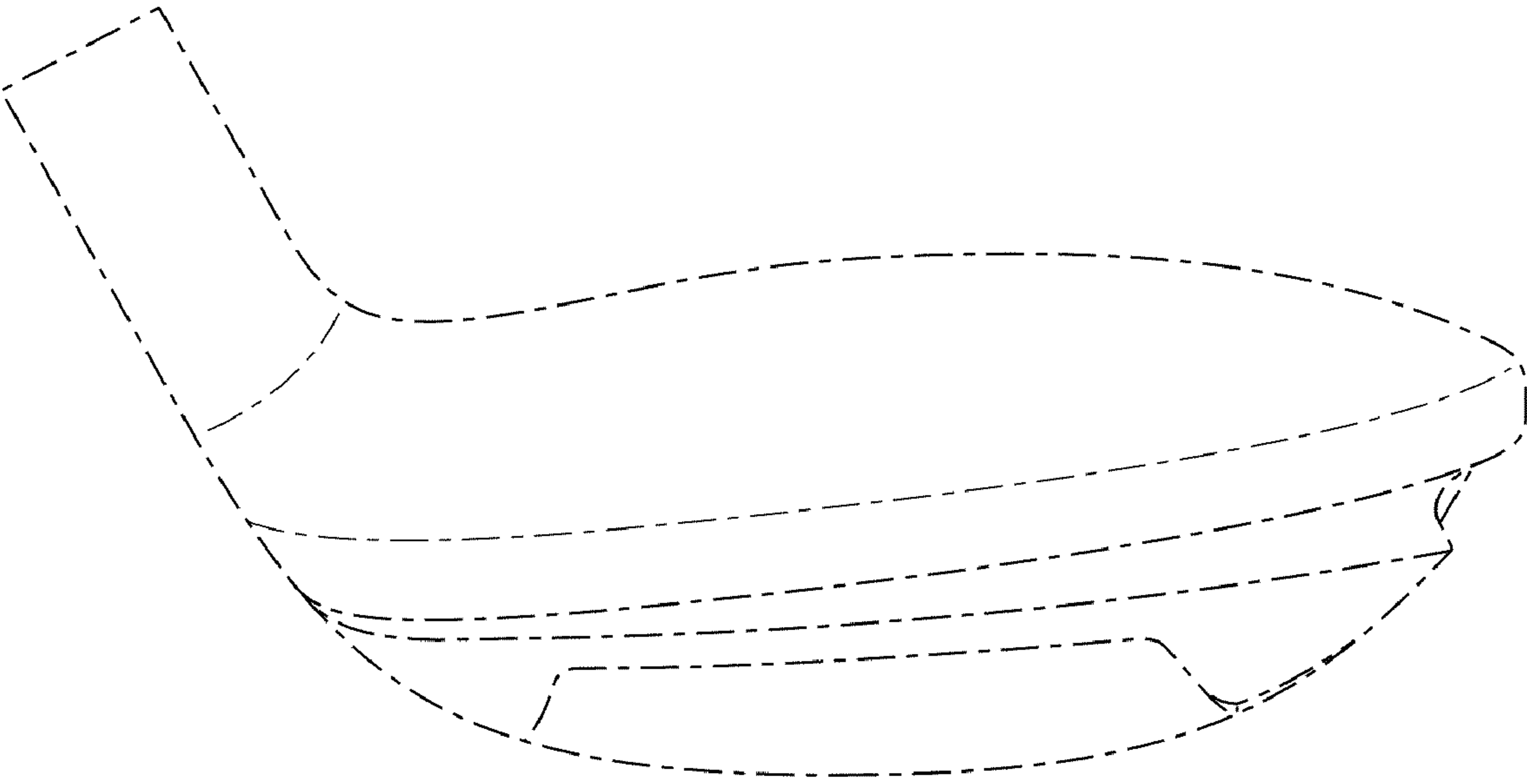


FIG. 4

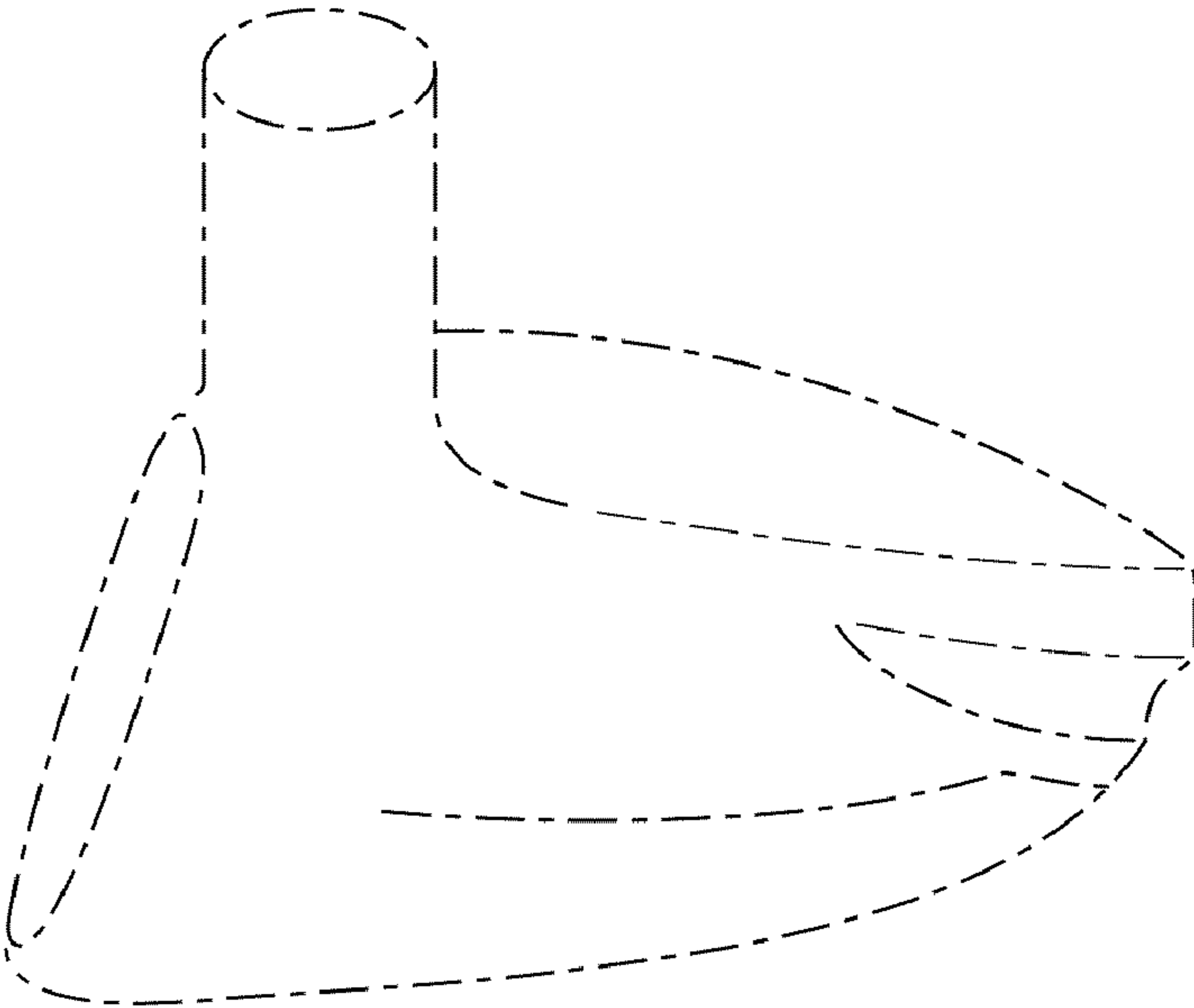


FIG. 5

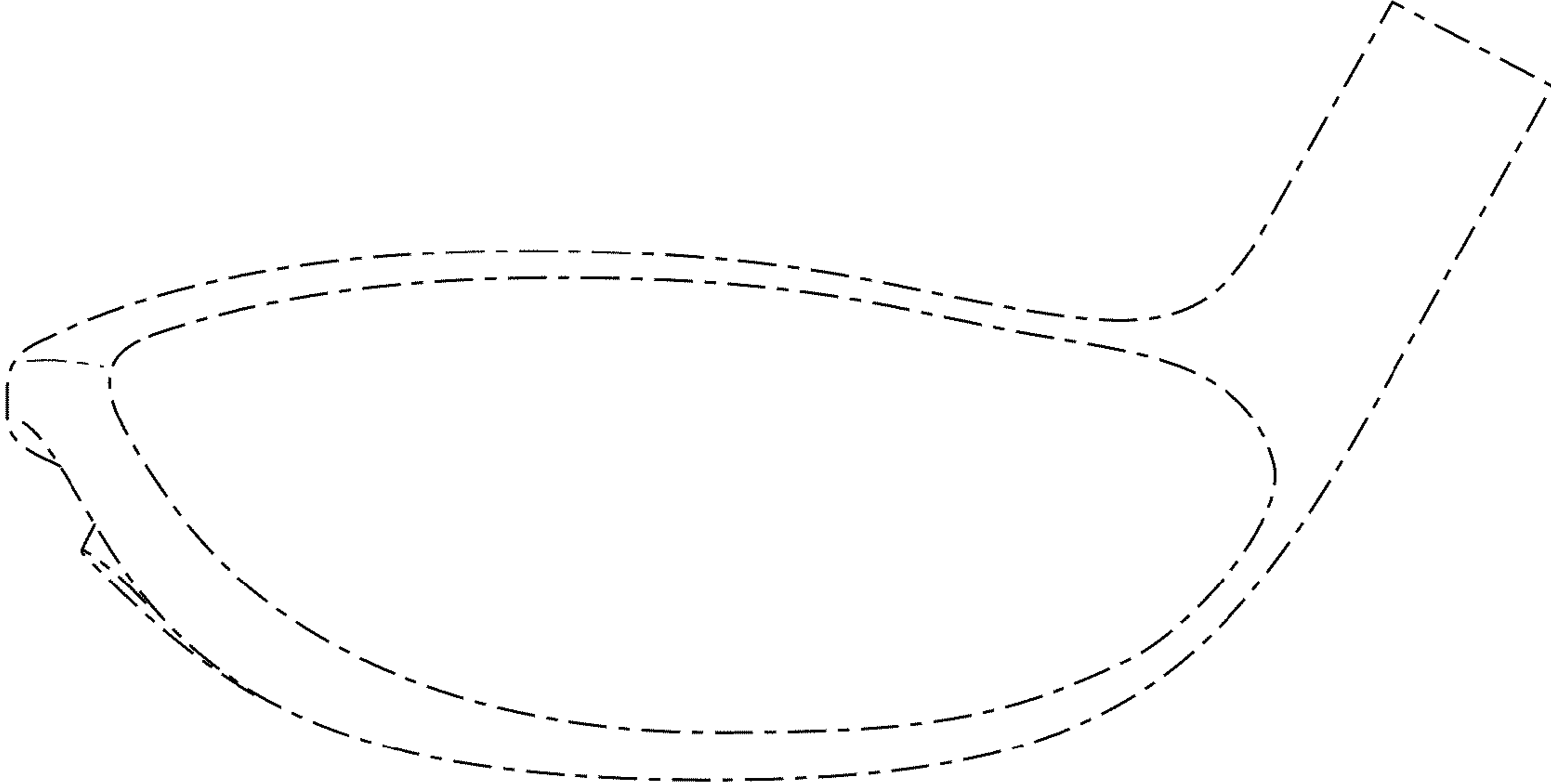


FIG. 6

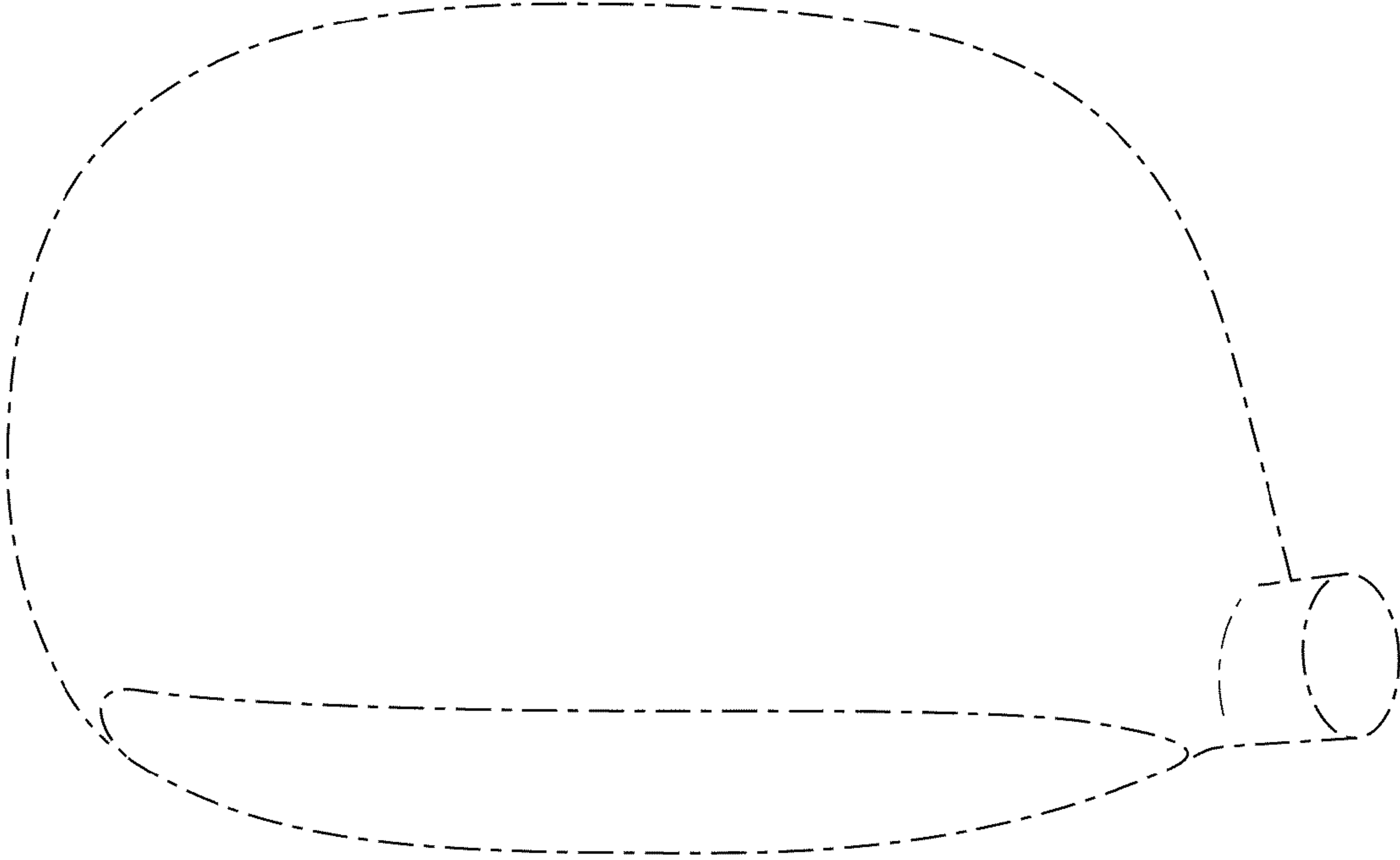


FIG. 7