



US00D609293S

(12) **United States Design Patent**  
**Williams**

(10) **Patent No.:** **US D609,293 S**

(45) **Date of Patent:** **\*\* Feb. 2, 2010**

(54) **GOLF CLUB HEAD**

(75) Inventor: **Robert Williams**, Indio, CA (US)

(73) Assignee: **Plus One Sports, Inc.**, Thousand Palms, CA (US)

(\*\*) Term: **14 Years**

(21) Appl. No.: **29/335,110**

(22) Filed: **Apr. 8, 2009**

(51) **LOC (9) Cl.** ..... **21-02**

(52) **U.S. Cl.** ..... **D21/759**

(58) **Field of Classification Search** ..... D21/733,  
D21/752, 759; 473/324–331, 343–346  
See application file for complete search history.

(56) **References Cited**

U.S. PATENT DOCUMENTS

D482,093 S	*	11/2003	Imamoto	.....	D21/759
D501,235 S	*	1/2005	Imamoto	.....	D21/752
D520,090 S	*	5/2006	Imamoto	.....	D21/752
D524,892 S	*	7/2006	Wilson et al.	.....	D21/759
D537,497 S	*	2/2007	Hoffman et al.	.....	D21/752
D543,602 S	*	5/2007	Hoffman et al.	.....	D21/759
D553,703 S	*	10/2007	Hoffman et al.	.....	D21/759
D558,286 S	*	12/2007	Hoffman et al.	.....	D21/752

D597,620 S \* 8/2009 Taylor et al. .... D21/752

\* cited by examiner

*Primary Examiner*—Mitchell I Siegel

(74) *Attorney, Agent, or Firm*—Connolly Bove Lodge & Hutz LLP; Billy A. Robbins

(57) **CLAIM**

The ornamental design of the golf club head, as illustrated and described.

**DESCRIPTION**

FIG. 1 is a rear perspective view of the golf club head of the present invention;

FIG. 2 is a front view thereof;

FIG. 3 is a left side view thereof;

FIG. 4 is a right side view thereof;

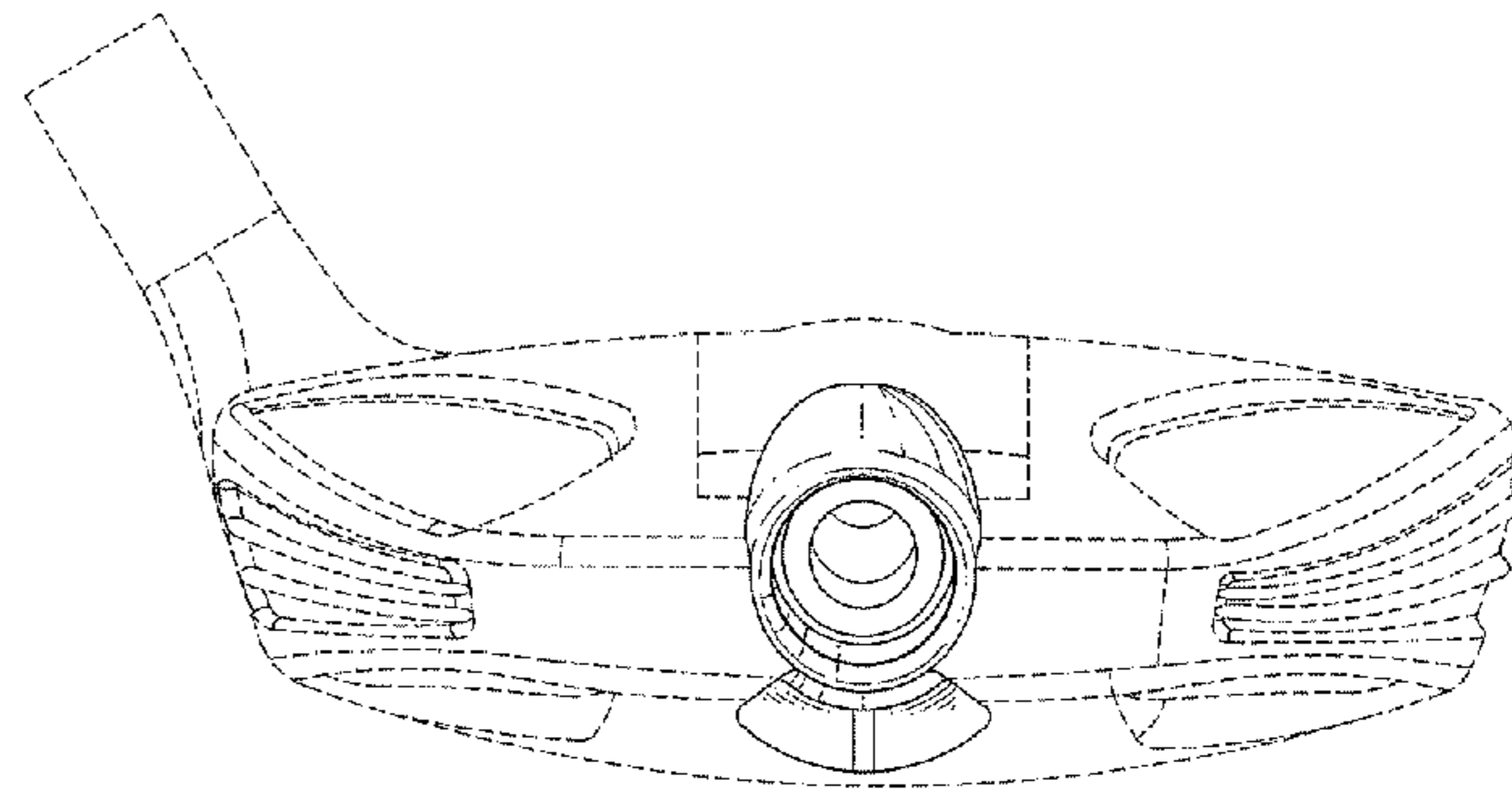
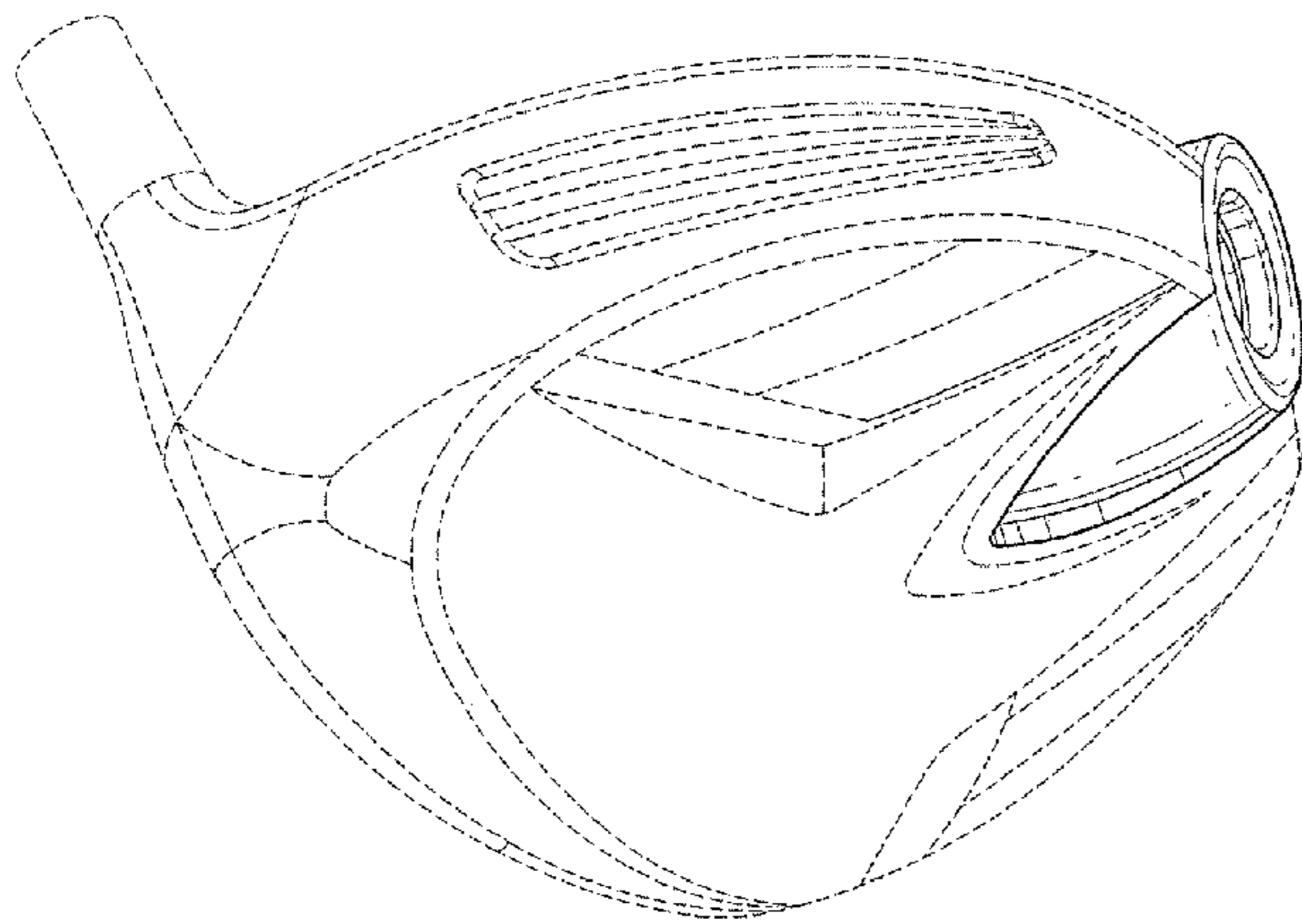
FIG. 5 is a rear view thereof;

FIG. 6 is a top view thereof; and,

FIG. 7 is a bottom view thereof.

The dashed line portions in the figures forms no part of the design, but illustrate the environmental structure in which the design is embodied.

**1 Claim, 7 Drawing Sheets**



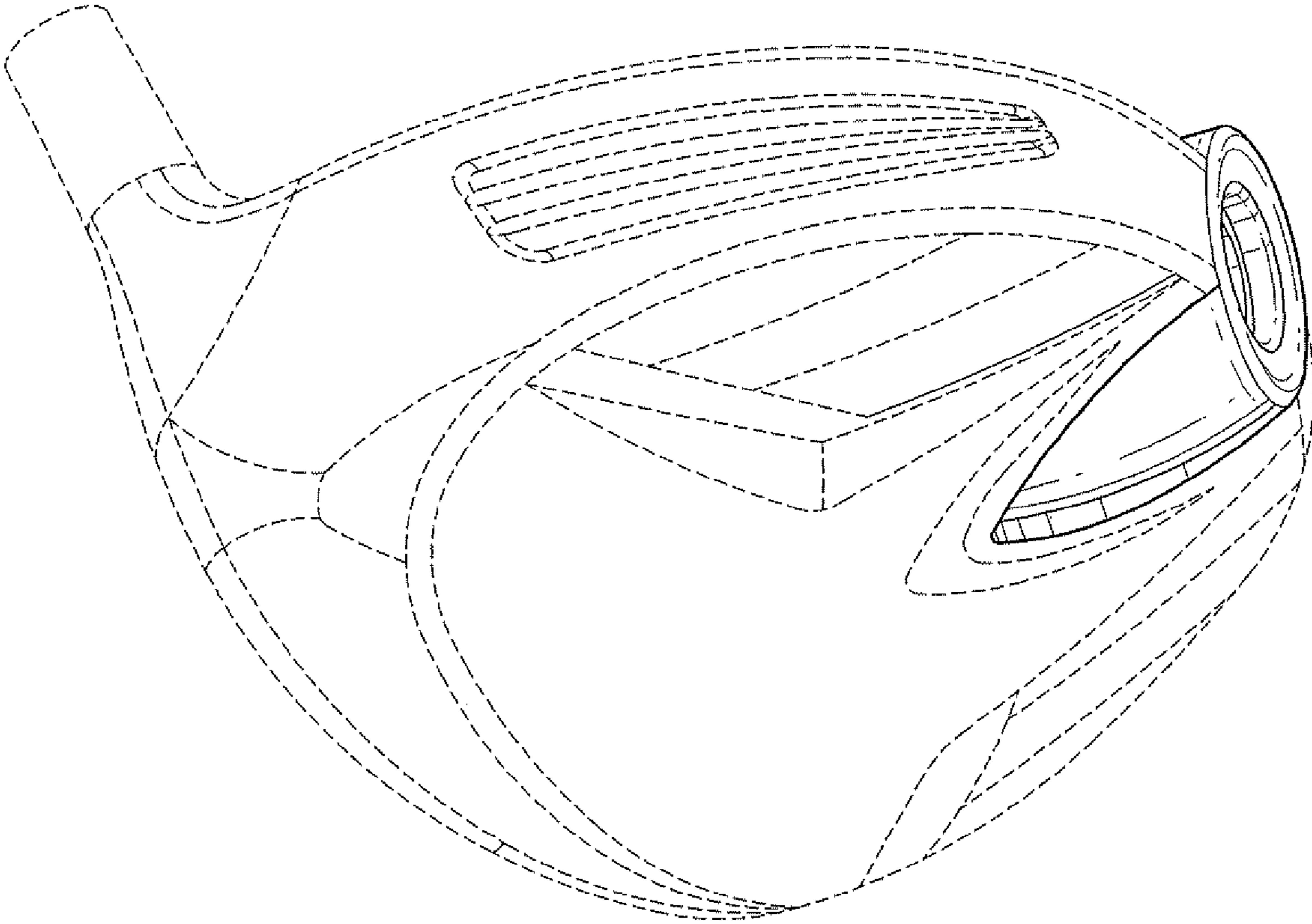


FIG. 1

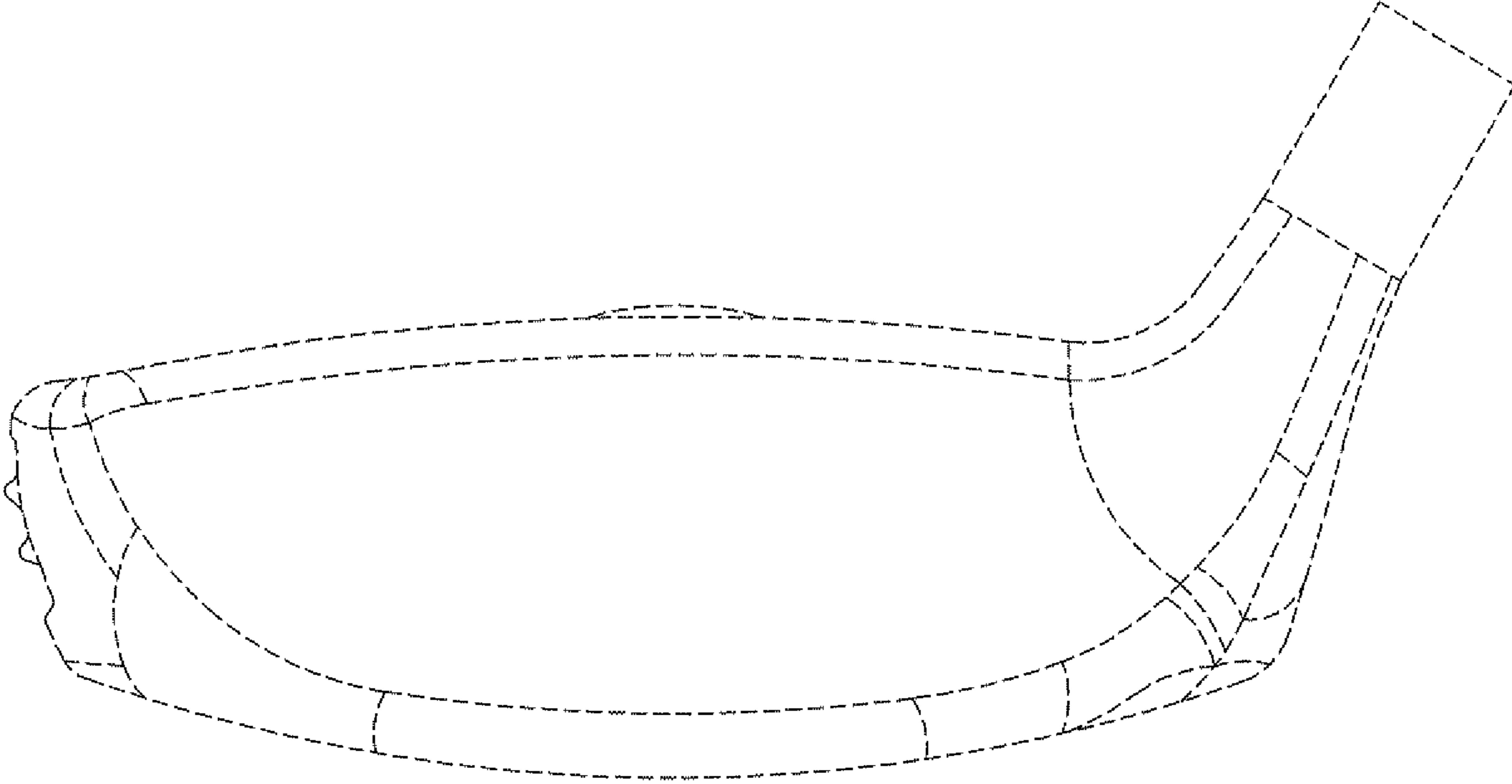


FIG. 2

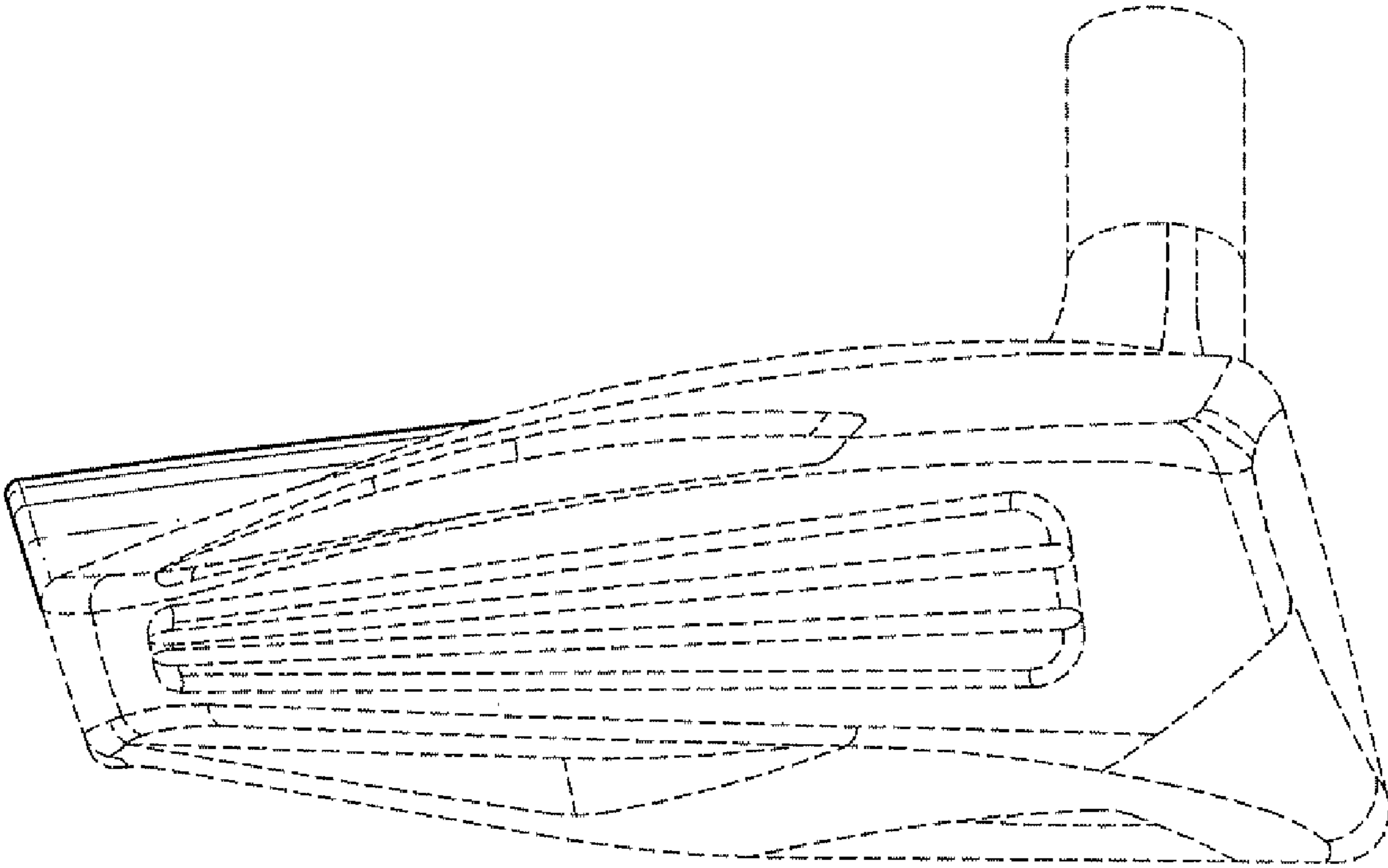


FIG. 3

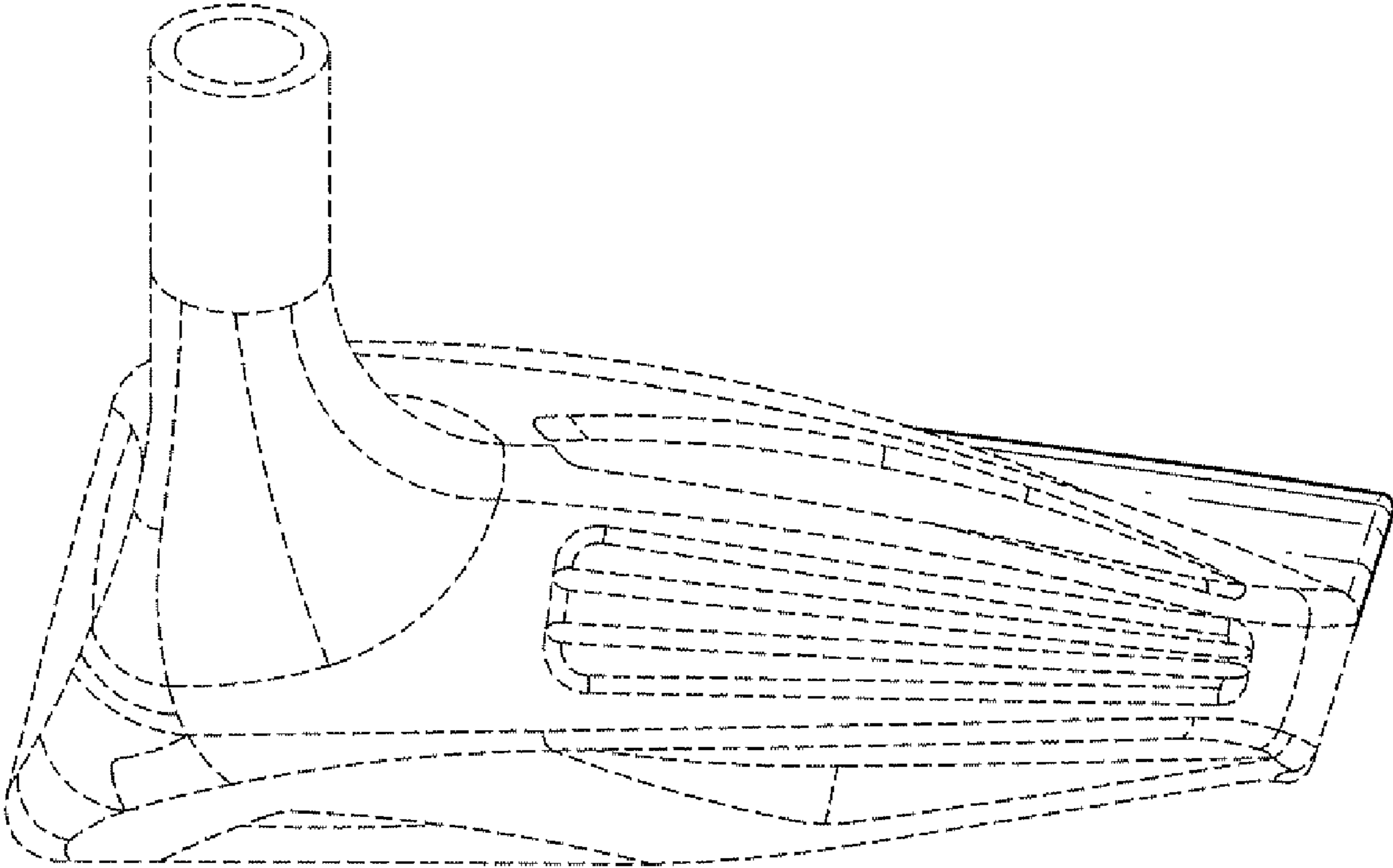


FIG. 4

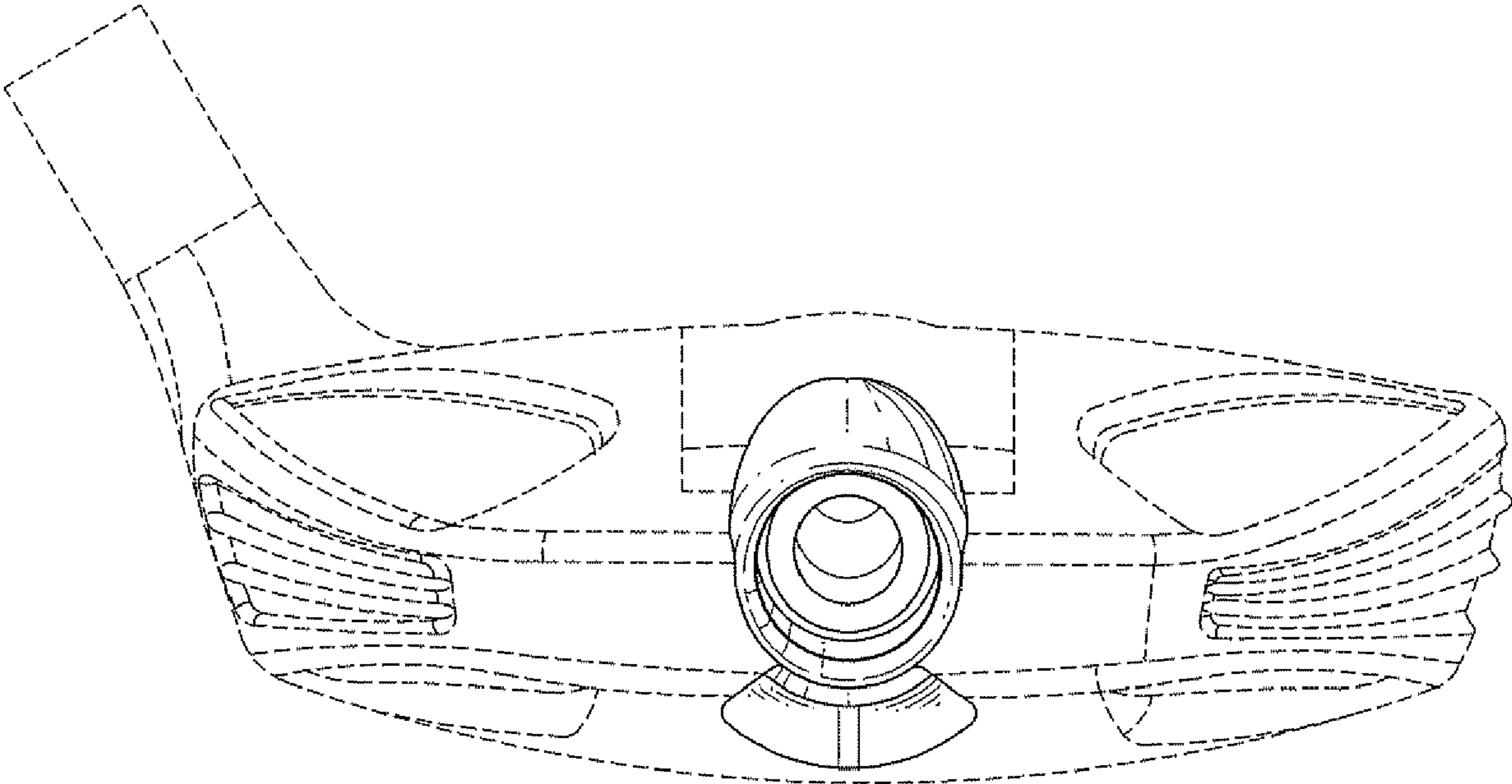


FIG. 5

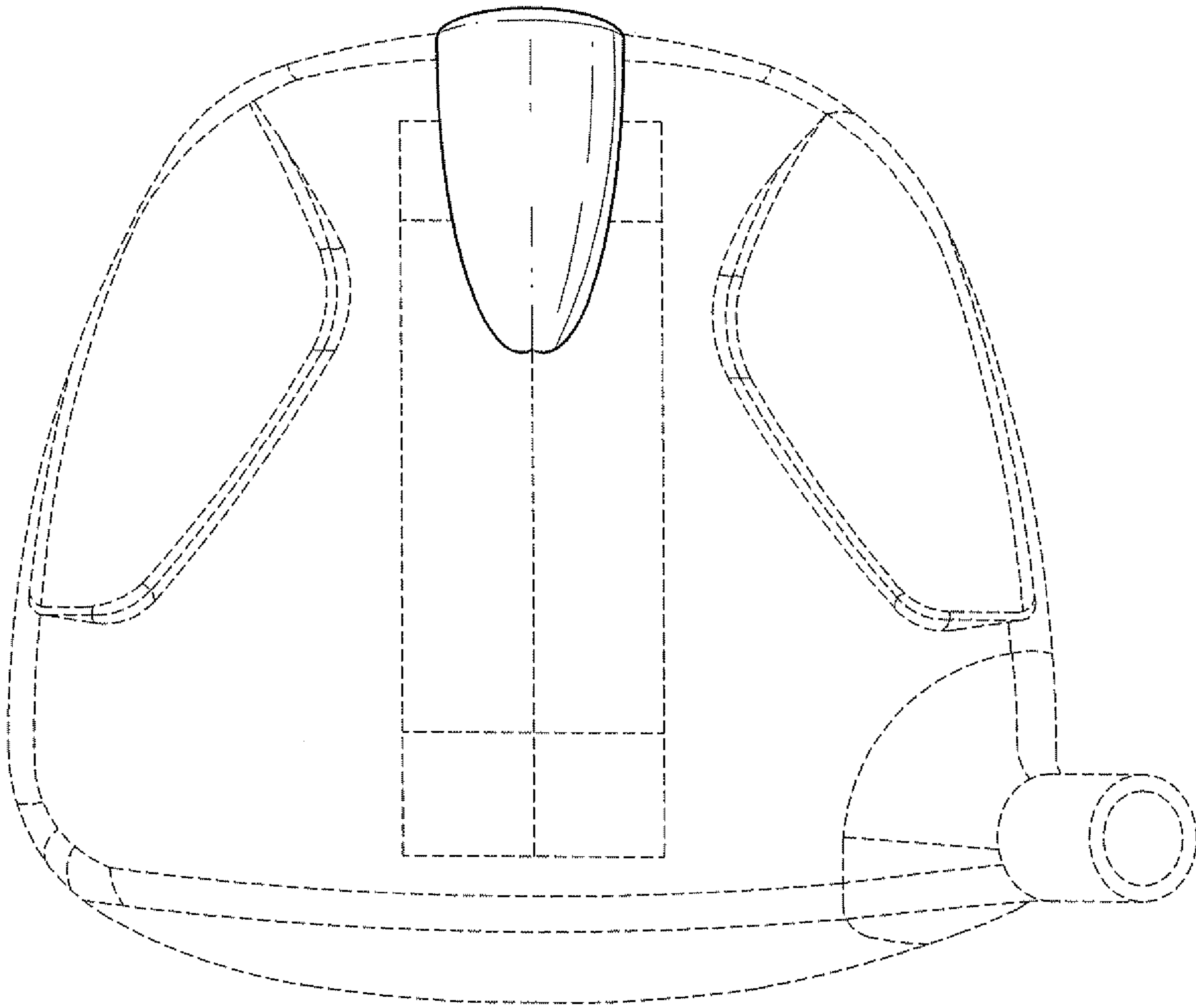


FIG. 6

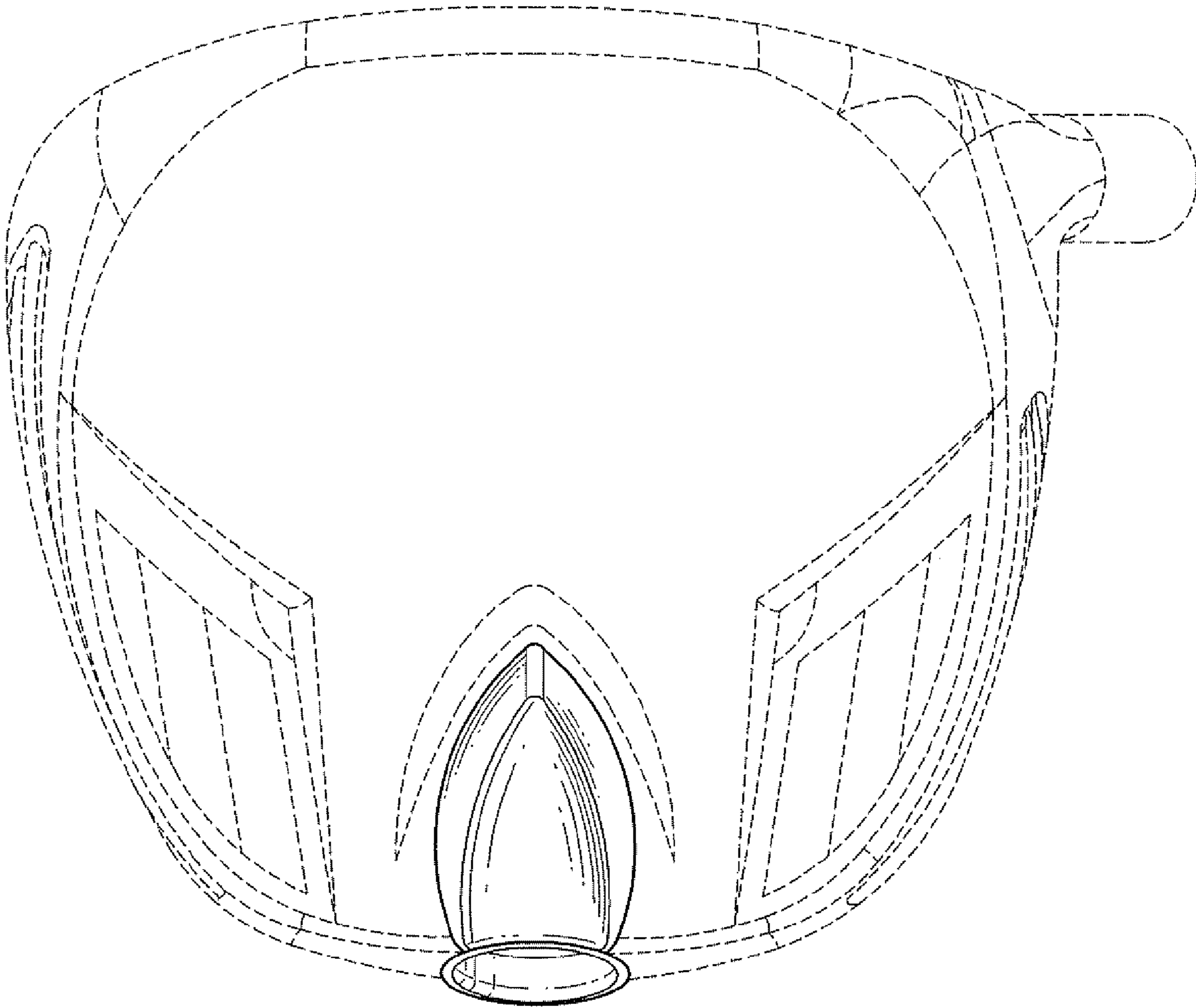


FIG. 7