



US00D609291S

(12) **United States Design Patent**
Williams

(10) **Patent No.:** **US D609,291 S**
(45) **Date of Patent:** **** Feb. 2, 2010**

(54) **GOLF CLUB HEAD**

(75) Inventor: **Robert Williams**, Indio, CA (US)

(73) Assignee: **Plus One Sports, Inc.**, Thousand Palms, CA (US)

(**) Term: **14 Years**

(21) Appl. No.: **29/335,107**

(22) Filed: **Apr. 8, 2009**

(51) **LOC (9) Cl.** **21-02**

(52) **U.S. Cl.** **D21/759**

(58) **Field of Classification Search** D21/733,
D21/752, 759; 473/324-331, 343-346
See application file for complete search history.

(56) **References Cited**

U.S. PATENT DOCUMENTS

D521,091 S *	5/2006	Mahaffey et al.	D21/752
D591,811 S *	5/2009	Bosilkovski et al.	D21/752
D594,519 S *	6/2009	Chau et al.	D21/752
D598,064 S *	8/2009	Breier et al.	D21/759

* cited by examiner

Primary Examiner—Mitchell I Siegel

(74) *Attorney, Agent, or Firm*—Connolly Bove Lodge & Hutz
LLP; Billy A. Robbins

(57) **CLAIM**

The ornamental design of the golf club head, as illustrated and described.

DESCRIPTION

FIG. 1 is a rear perspective view of one embodiment of the golf club head design of the present invention;

FIG. 2 is a front view thereof;

FIG. 3 is a left side view thereof;

FIG. 4 is a right side view thereof;

FIG. 5 is a rear view thereof;

FIG. 6 is a top view thereof;

FIG. 7 is a bottom view thereof;

FIG. 8 is a rear perspective view of an alternative embodiment of the golf club head design of the present invention;

FIG. 9 is a right front view thereof;

FIG. 10 is a left side view thereof;

FIG. 11 is a right side view thereof;

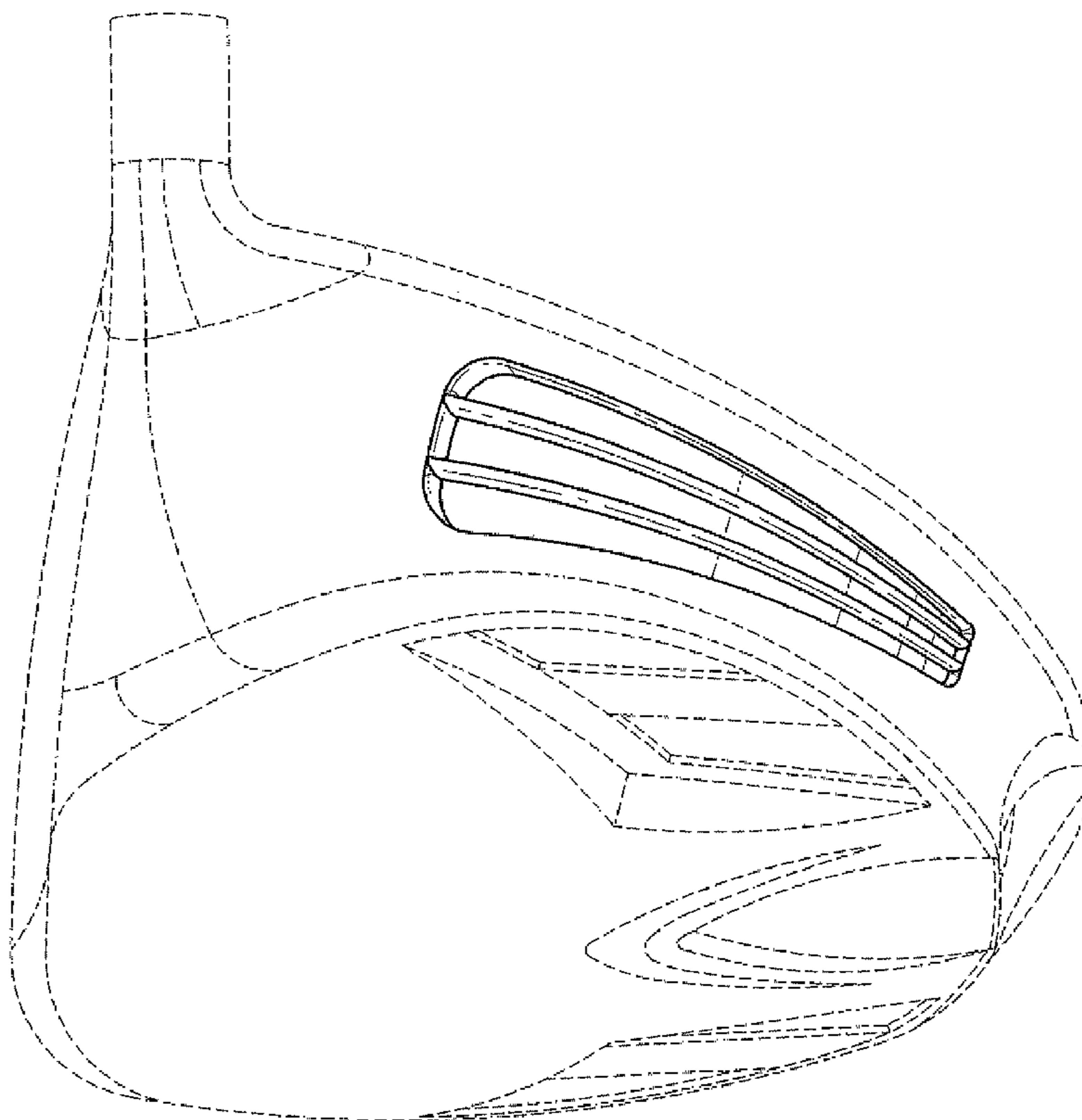
FIG. 12 is a rear view thereof;

FIG. 13 is a top view thereof; and,

FIG. 14 is a bottom view thereof.

The dashed line portions in the figures forms no part of the design, but illustrate the environmental structure in which the design is embodied.

1 Claim, 14 Drawing Sheets



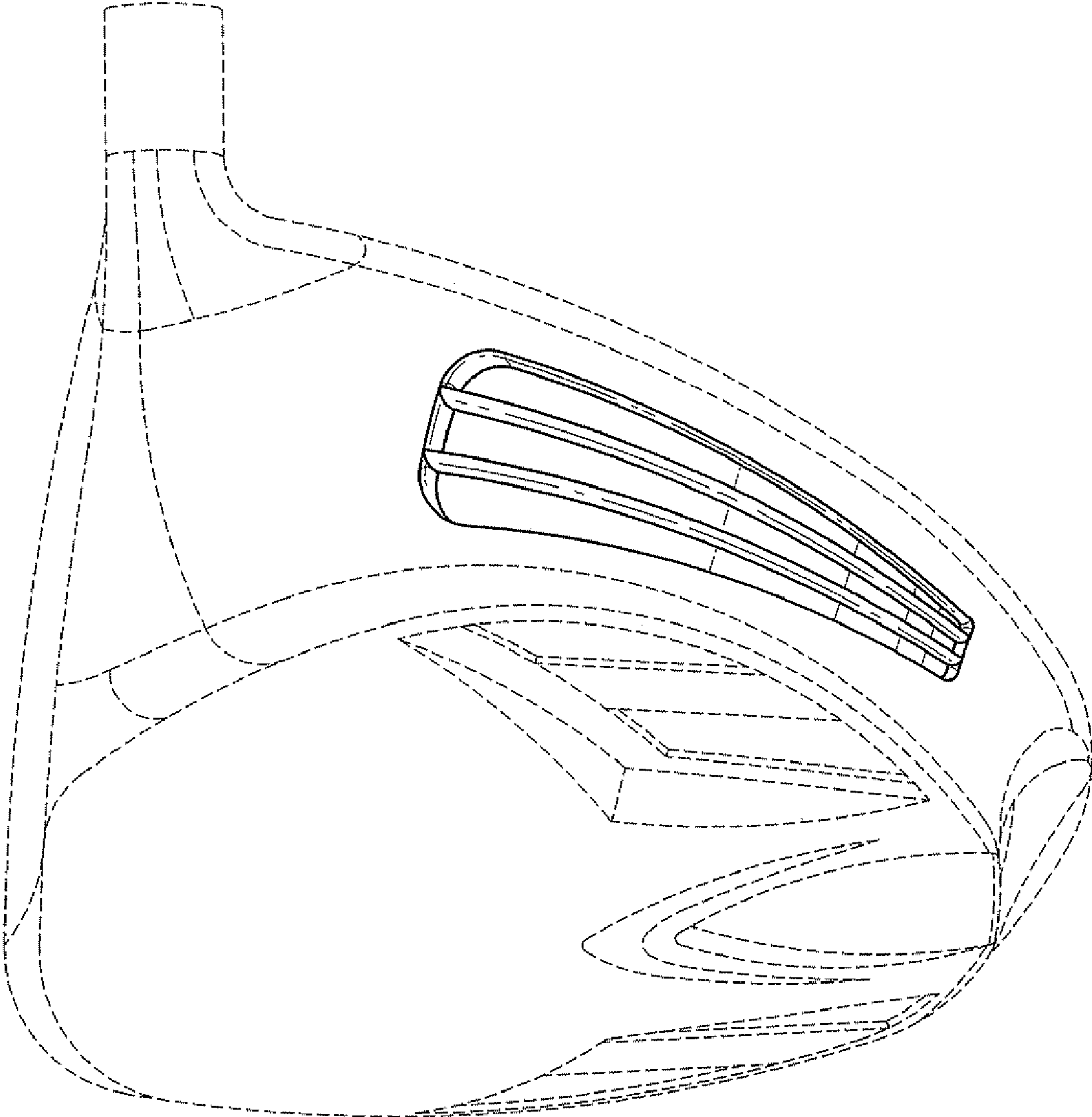


FIG. 1

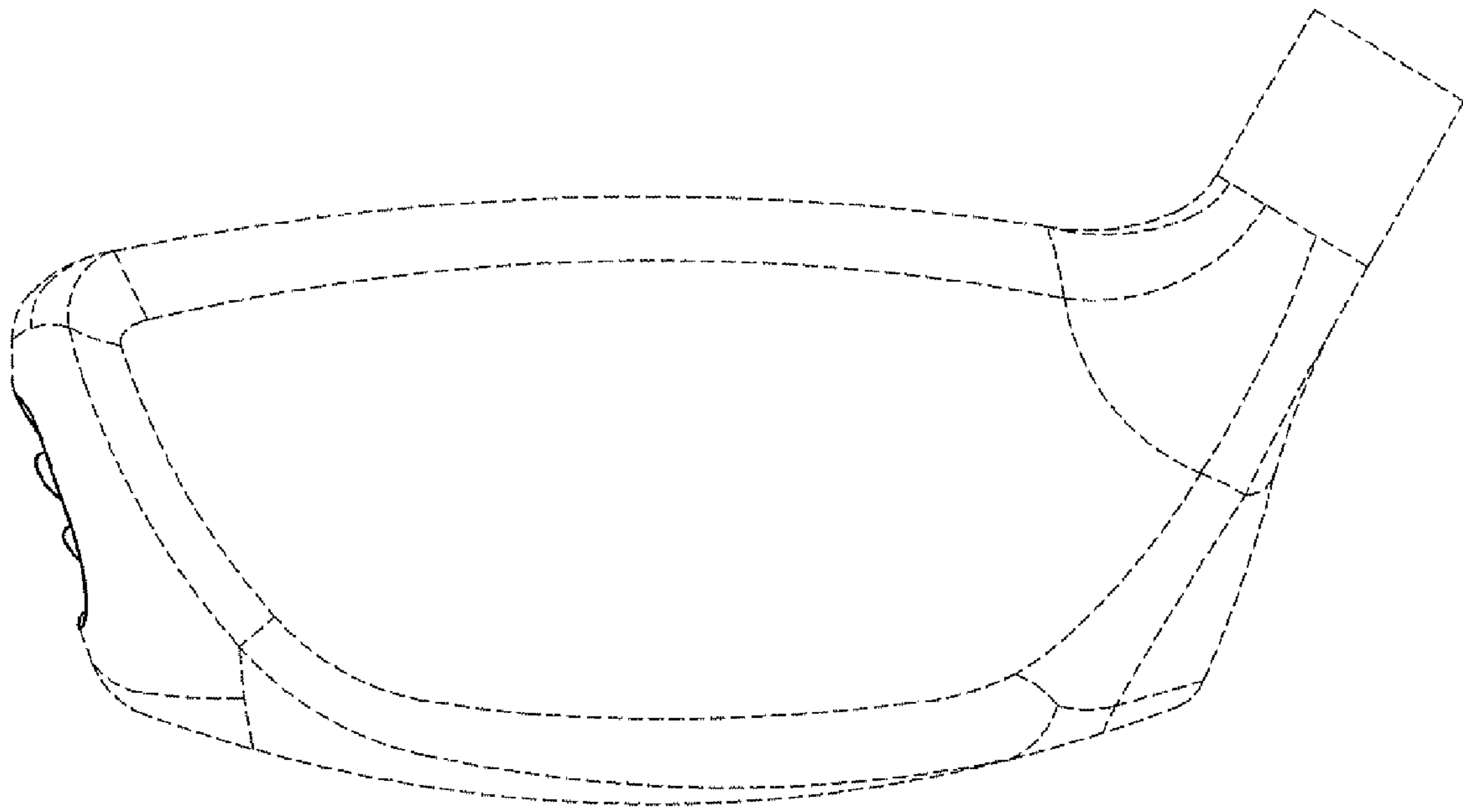


FIG. 2

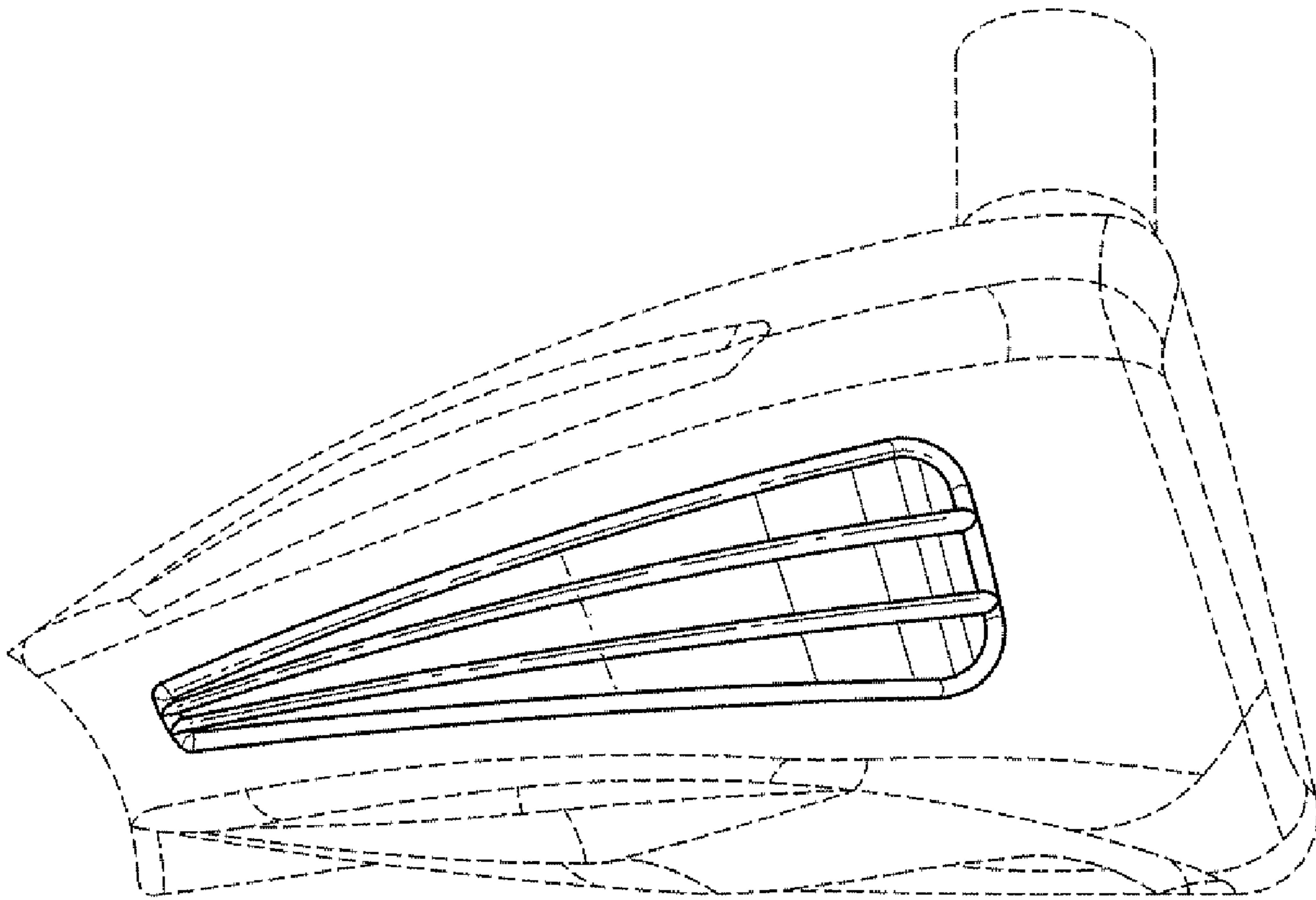


FIG. 3

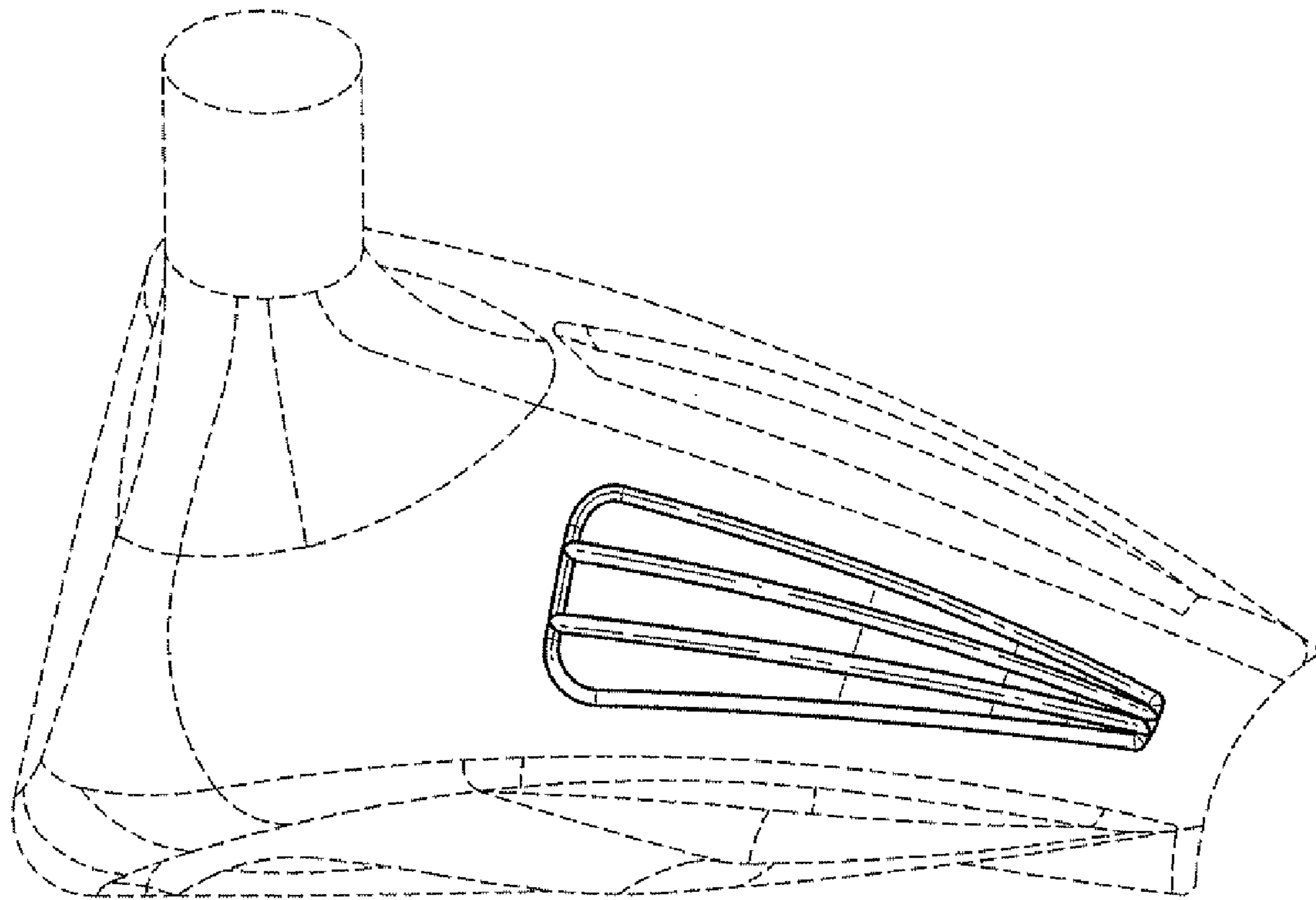


FIG. 4

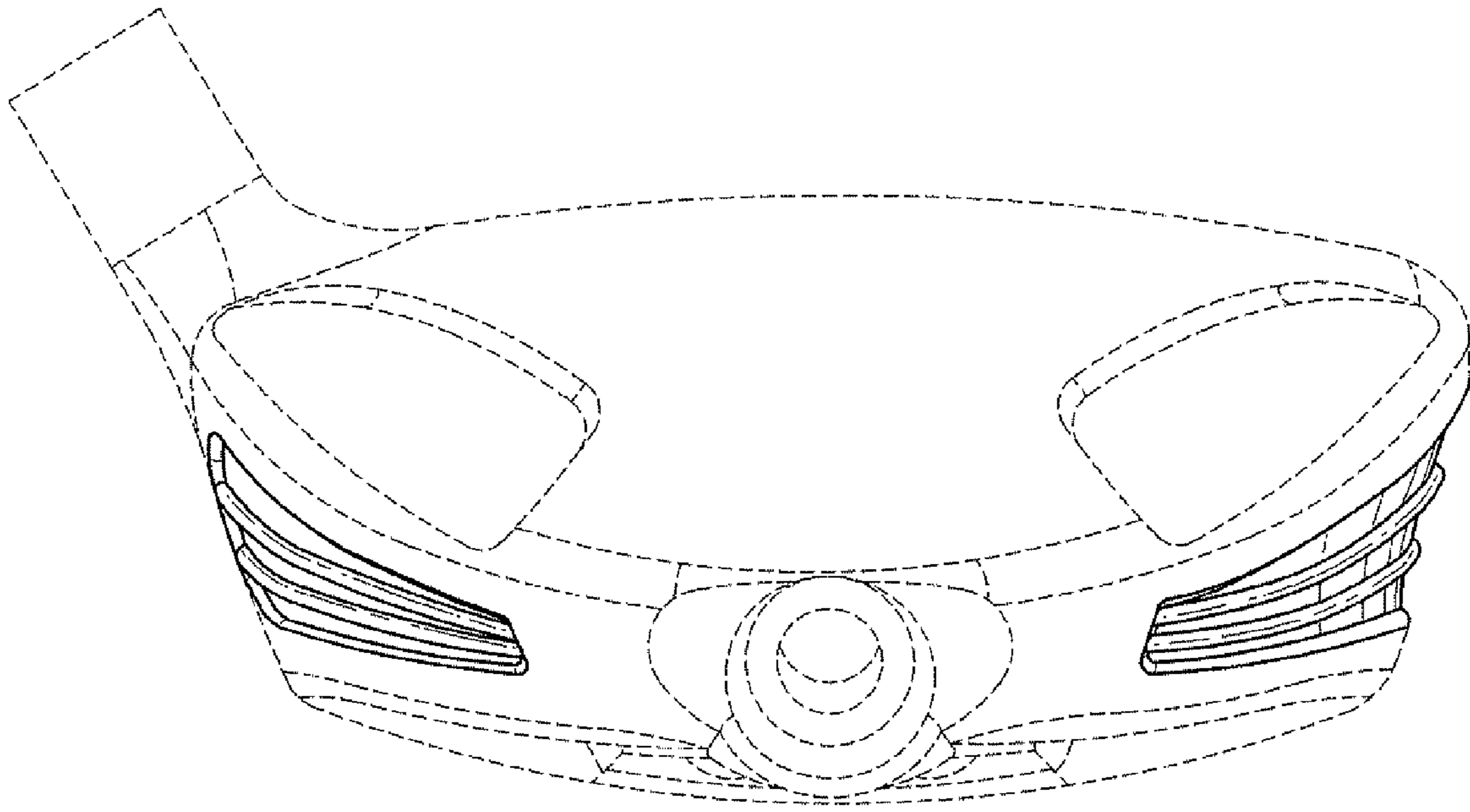


FIG. 5

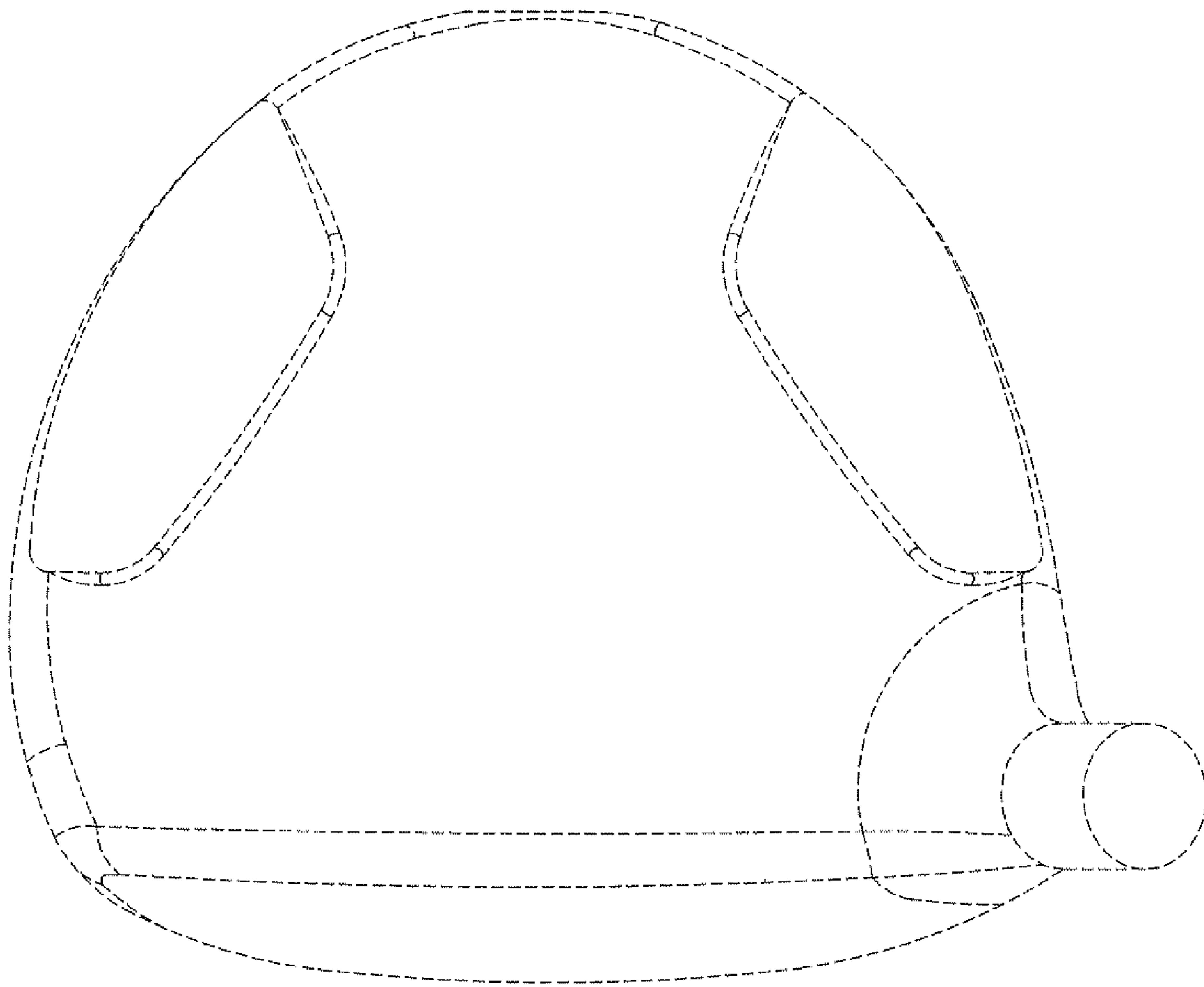


FIG. 6

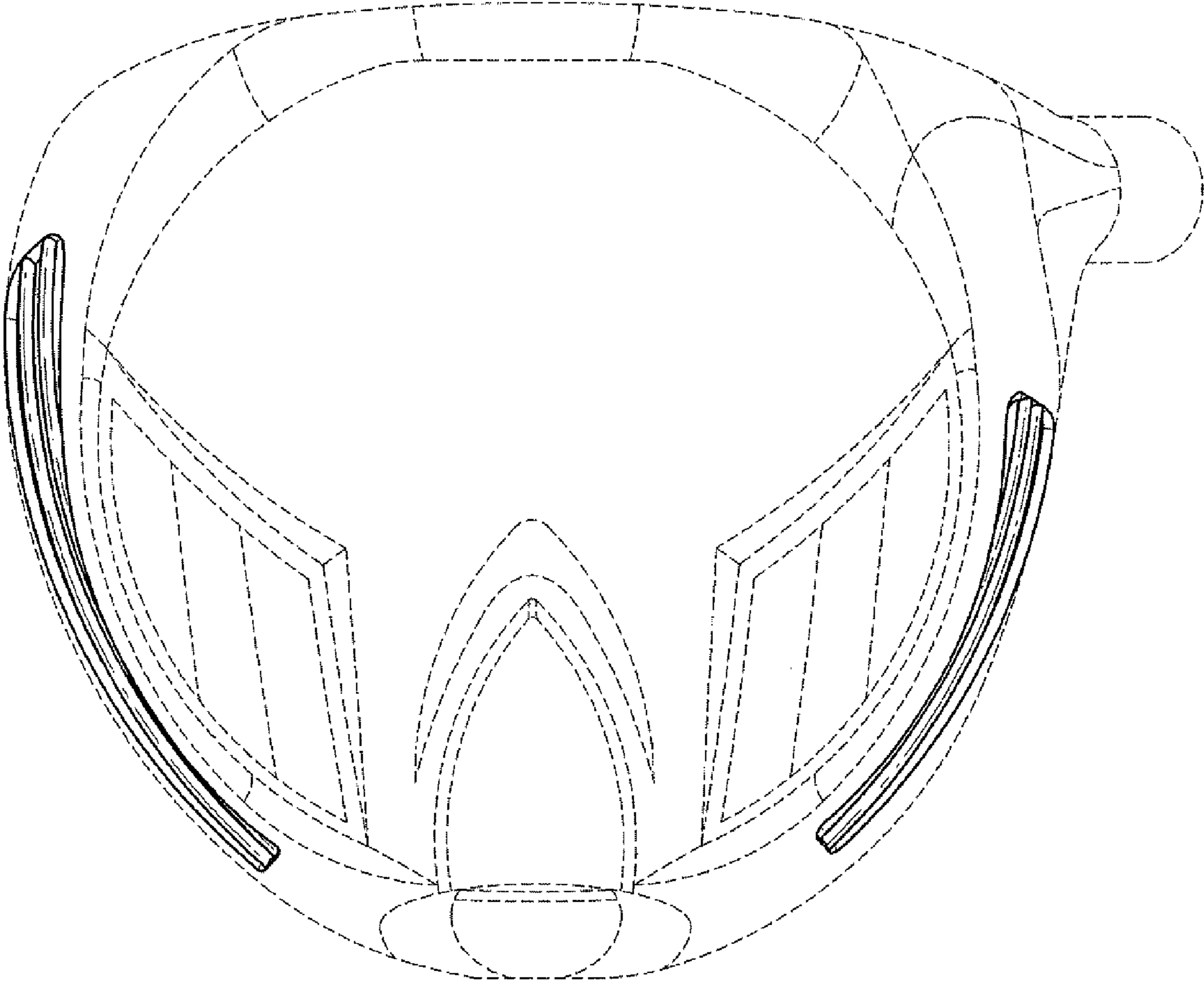


FIG. 7

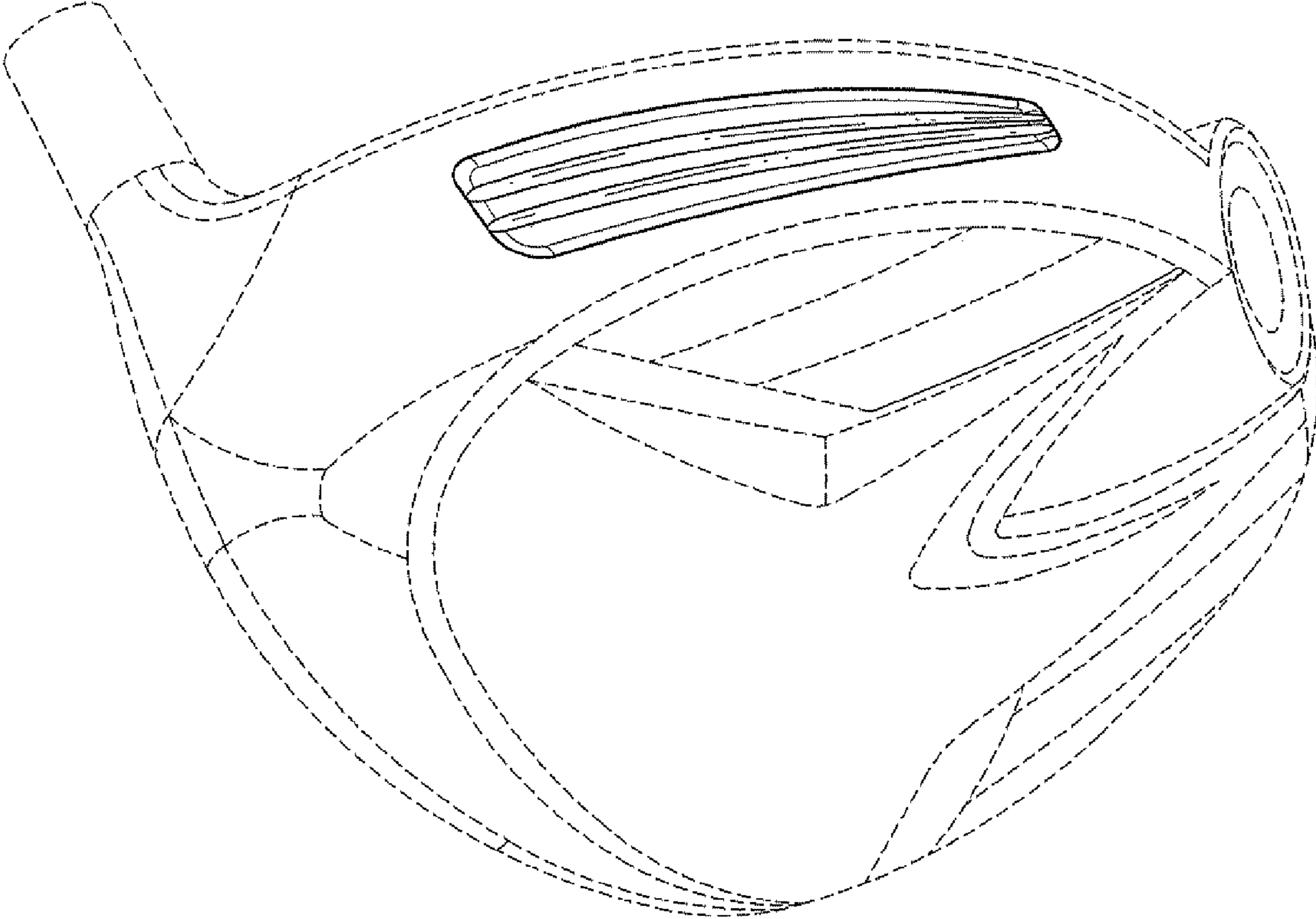


FIG. 8

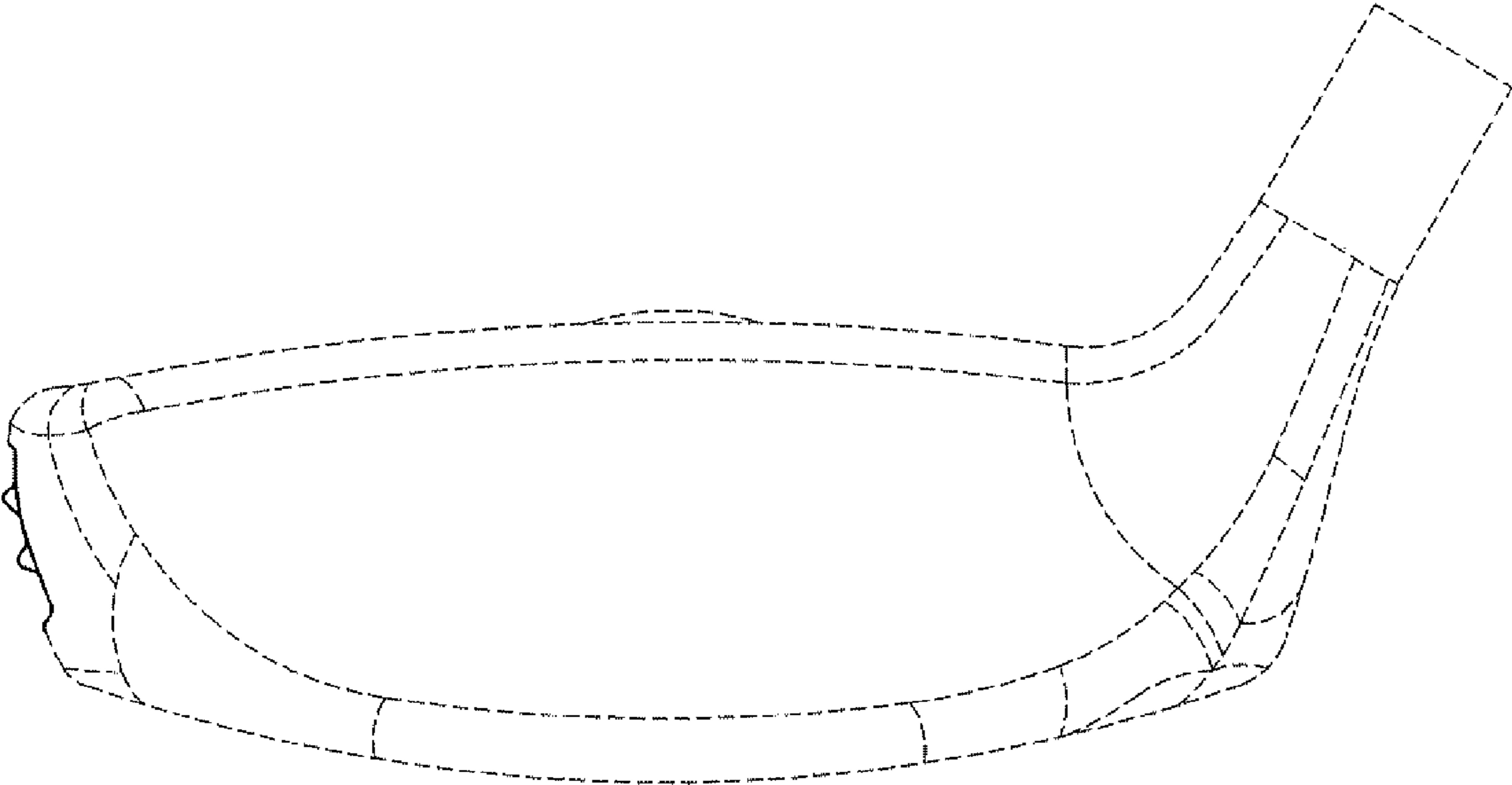


FIG. 9

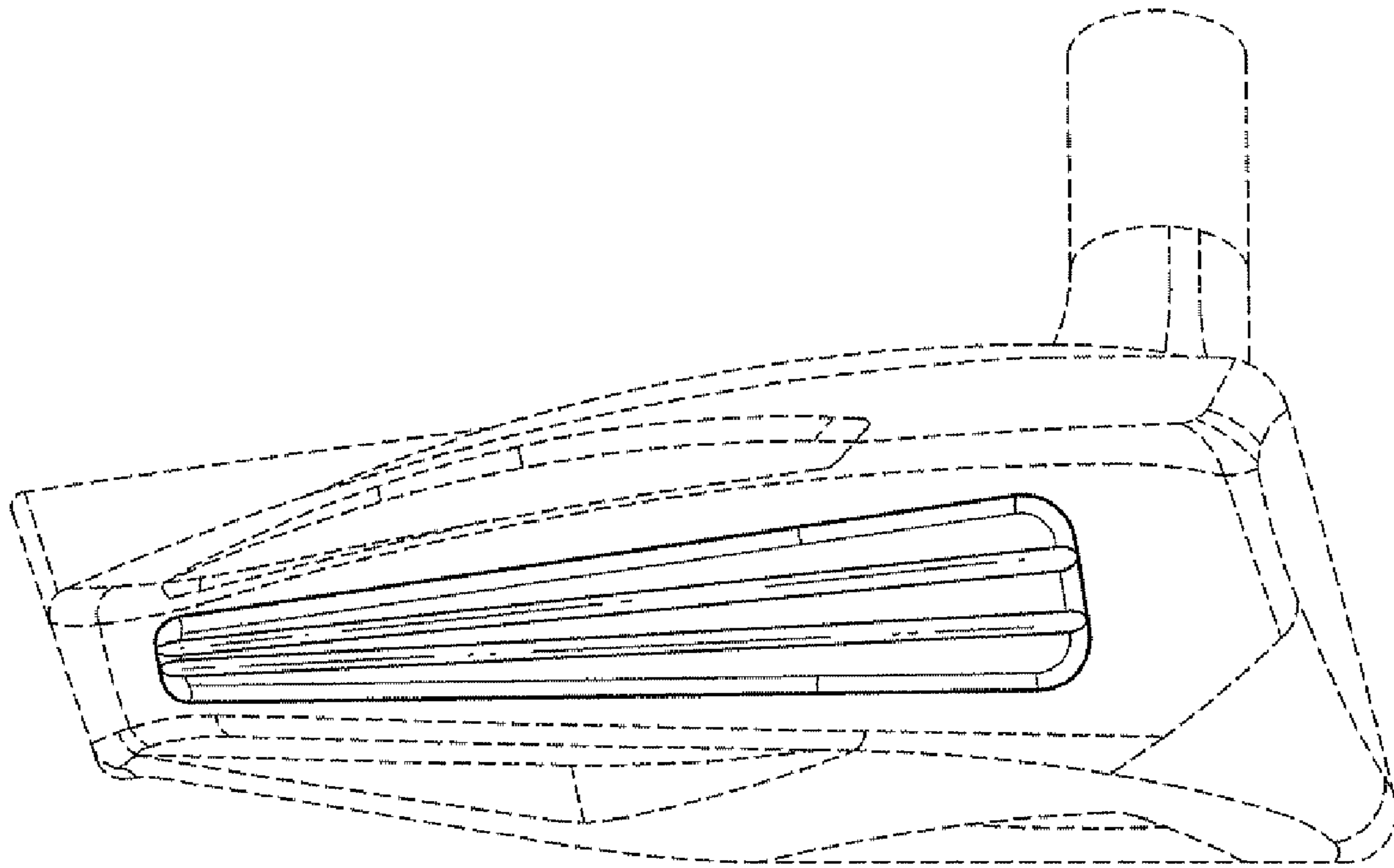


FIG. 10

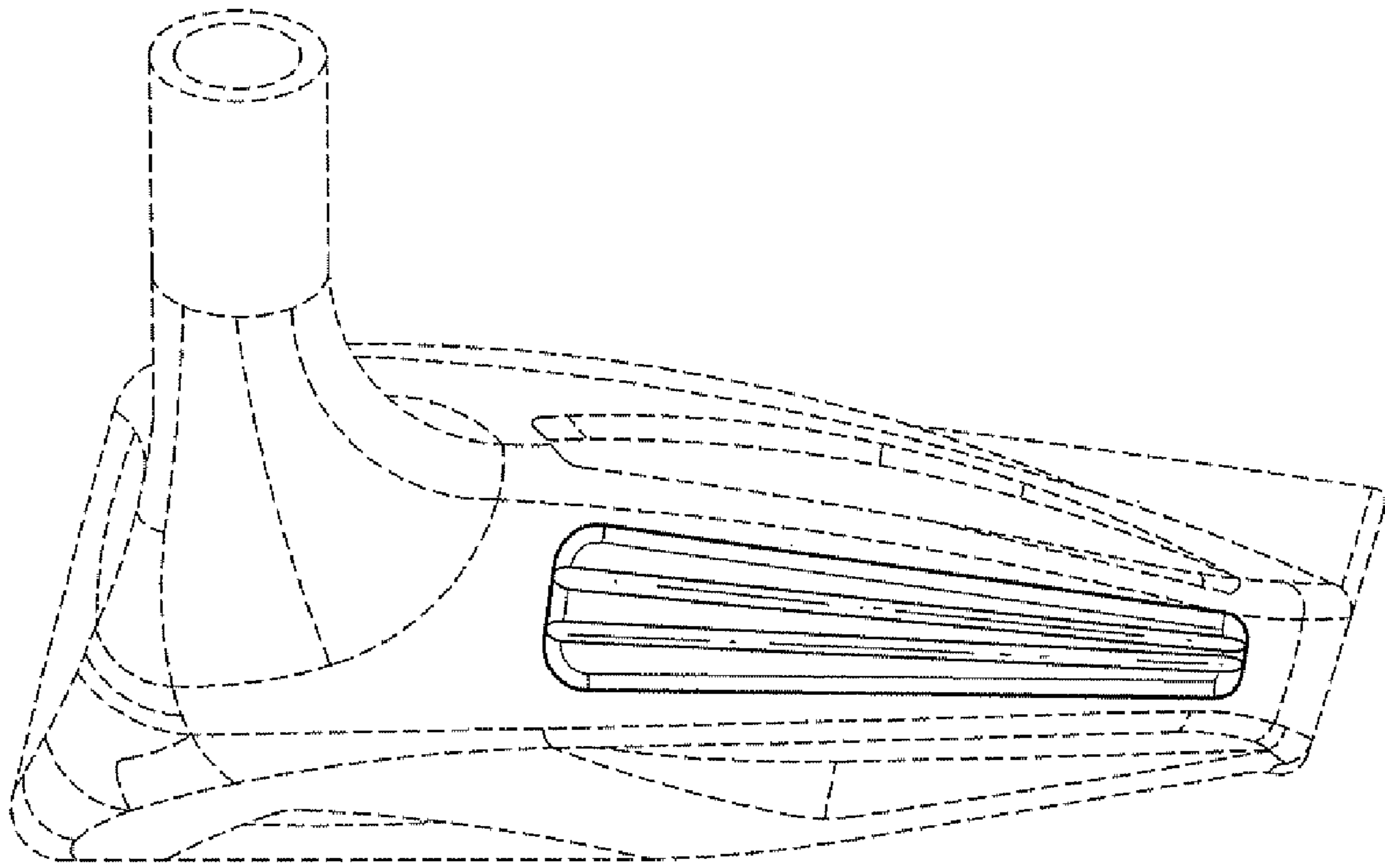


FIG. 11

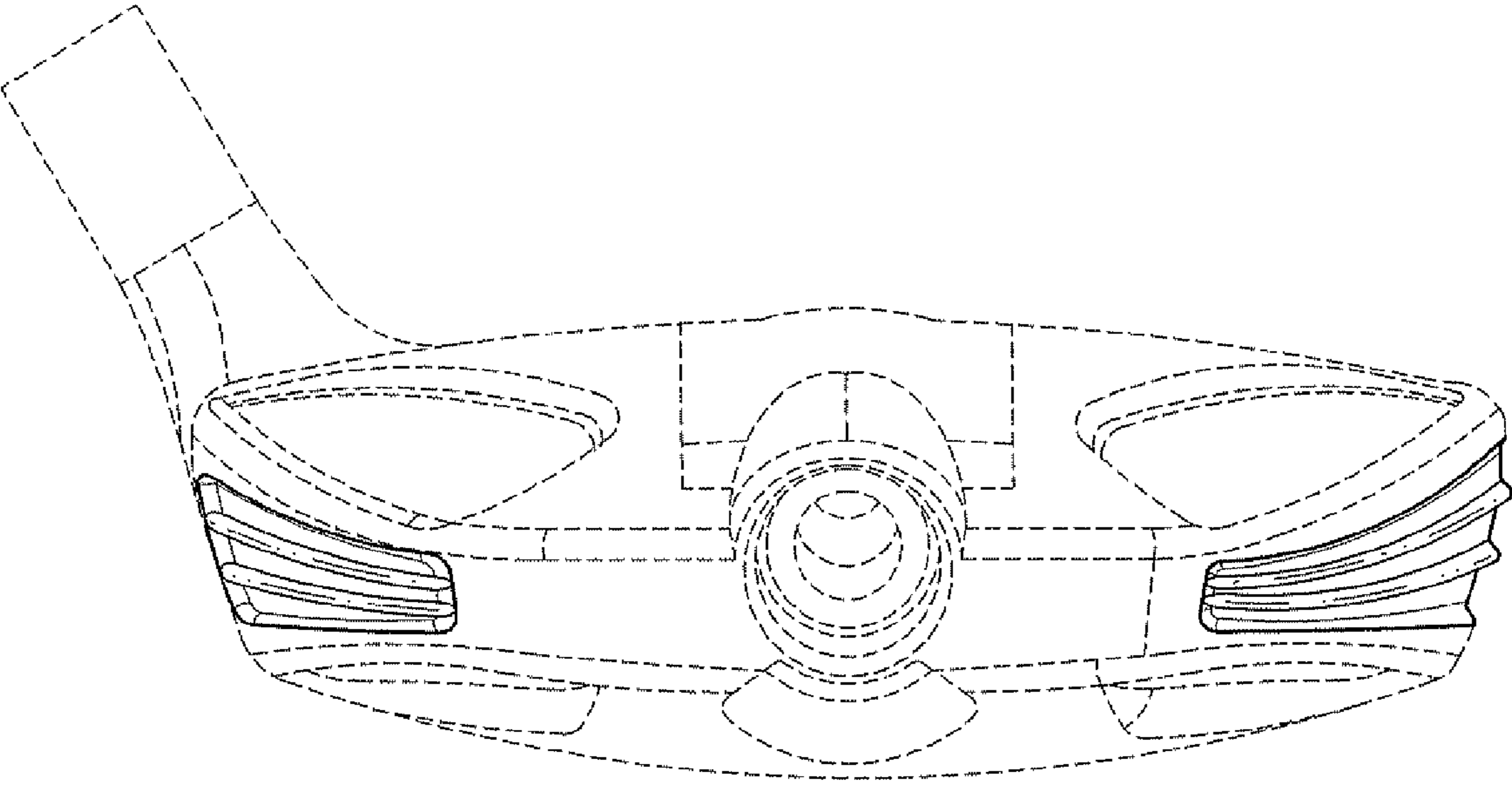


FIG. 12

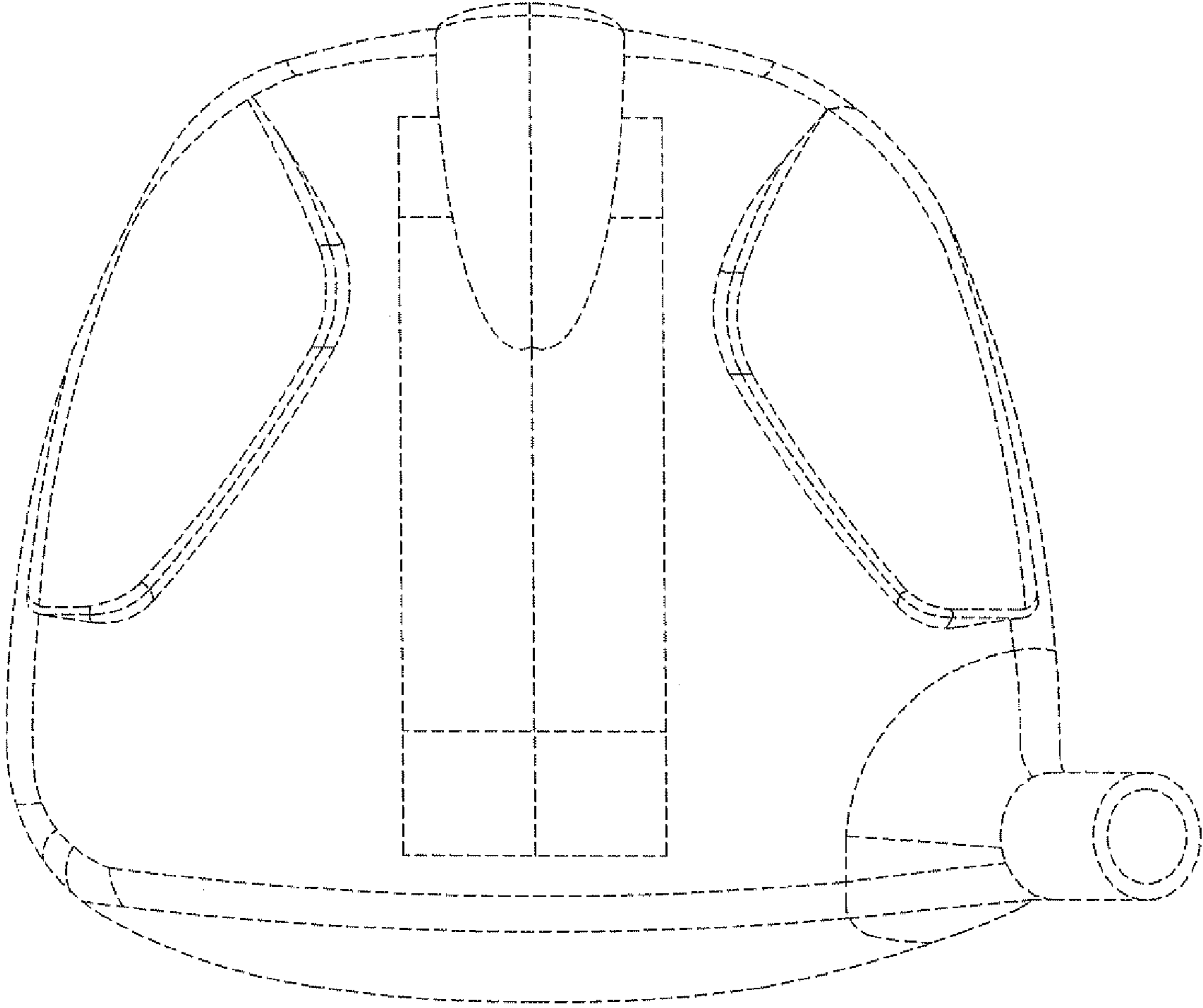


FIG. 13

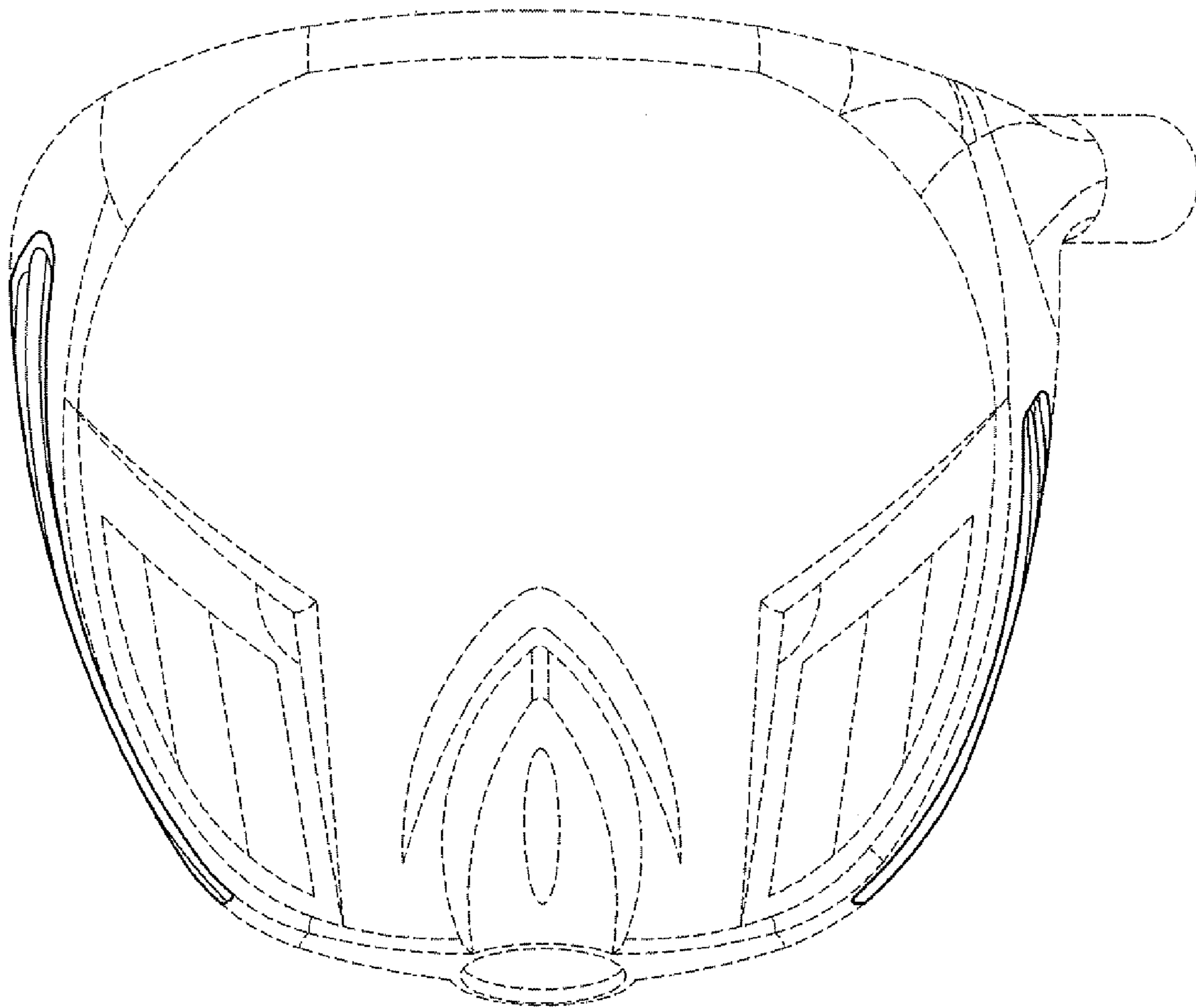


FIG. 14