

US00D609289S

(12) **United States Design Patent**
Chen

(10) **Patent No.:** **US D609,289 S**
(45) **Date of Patent:** **** Feb. 2, 2010**

(54) **WRIST AND FOREARM EXERCISE APPARATUS**

(76) Inventor: **Ping Chen**, No. 29, Nanmei St., Nantun Li, Nantun Dist., Taichung (TW)

(**) Term: **14 Years**

(21) Appl. No.: **29/313,901**

(22) Filed: **Feb. 18, 2009**

(51) **LOC (9) Cl.** **21-02**

(52) **U.S. Cl.** **D21/684; D21/692**

(58) **Field of Classification Search** D21/662,
D21/684, 692; 482/44, 45, 46; 601/5, 33,
601/40

See application file for complete search history.

(56) **References Cited**

U.S. PATENT DOCUMENTS

4,589,655	A *	5/1986	Ammon	482/46
5,067,479	A *	11/1991	Saringer et al.	601/5
5,364,323	A *	11/1994	Liu	482/45
5,620,410	A *	4/1997	Kaiser et al.	601/40
5,683,351	A *	11/1997	Kaiser et al.	601/40
6,146,341	A *	11/2000	Sato et al.	601/23
6,921,352	B1 *	7/2005	Stearns	482/44

7,537,547 B1 * 5/2009 Hosick et al. 482/45

* cited by examiner

Primary Examiner—Philip S Hyder

(74) *Attorney, Agent, or Firm*—Pai Patent & Trademark Law Firm; Chao-Chang David Pai

(57) **CLAIM**

The ornamental design for a wrist and forearm exercise apparatus, as shown and described.

DESCRIPTION

FIG. 1 is a perspective view of a wrist and forearm exercise apparatus, showing my new design;

FIG. 2 is a front view thereof;

FIG. 3 is a rear view thereof;

FIG. 4 is a left side view thereof;

FIG. 5 is a right side view thereof;

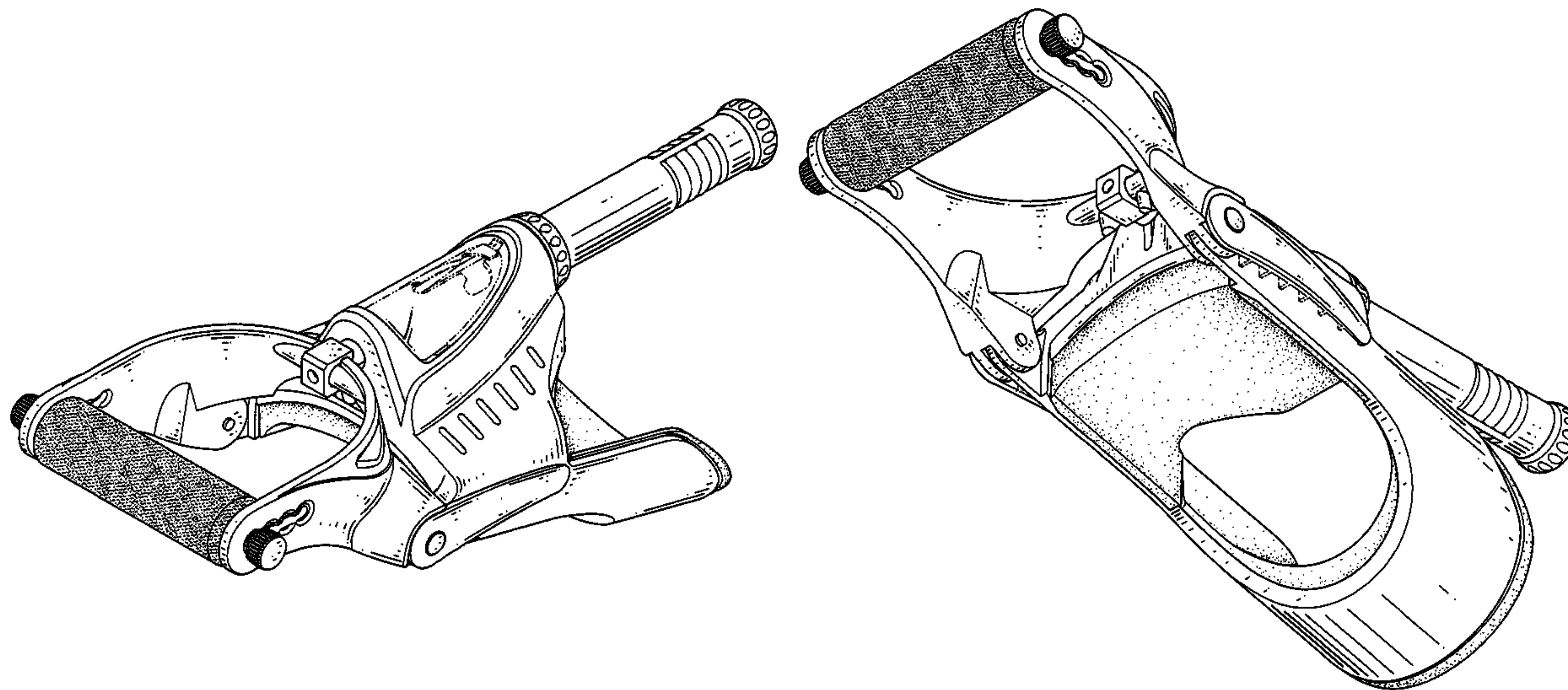
FIG. 6 is a top view thereof;

FIG. 7 is a bottom view thereof; and,

FIG. 8 is another perspective view thereof.

Wherein the broken lines are shown for illustrative purposes only and form no part of the claimed design.

1 Claim, 5 Drawing Sheets



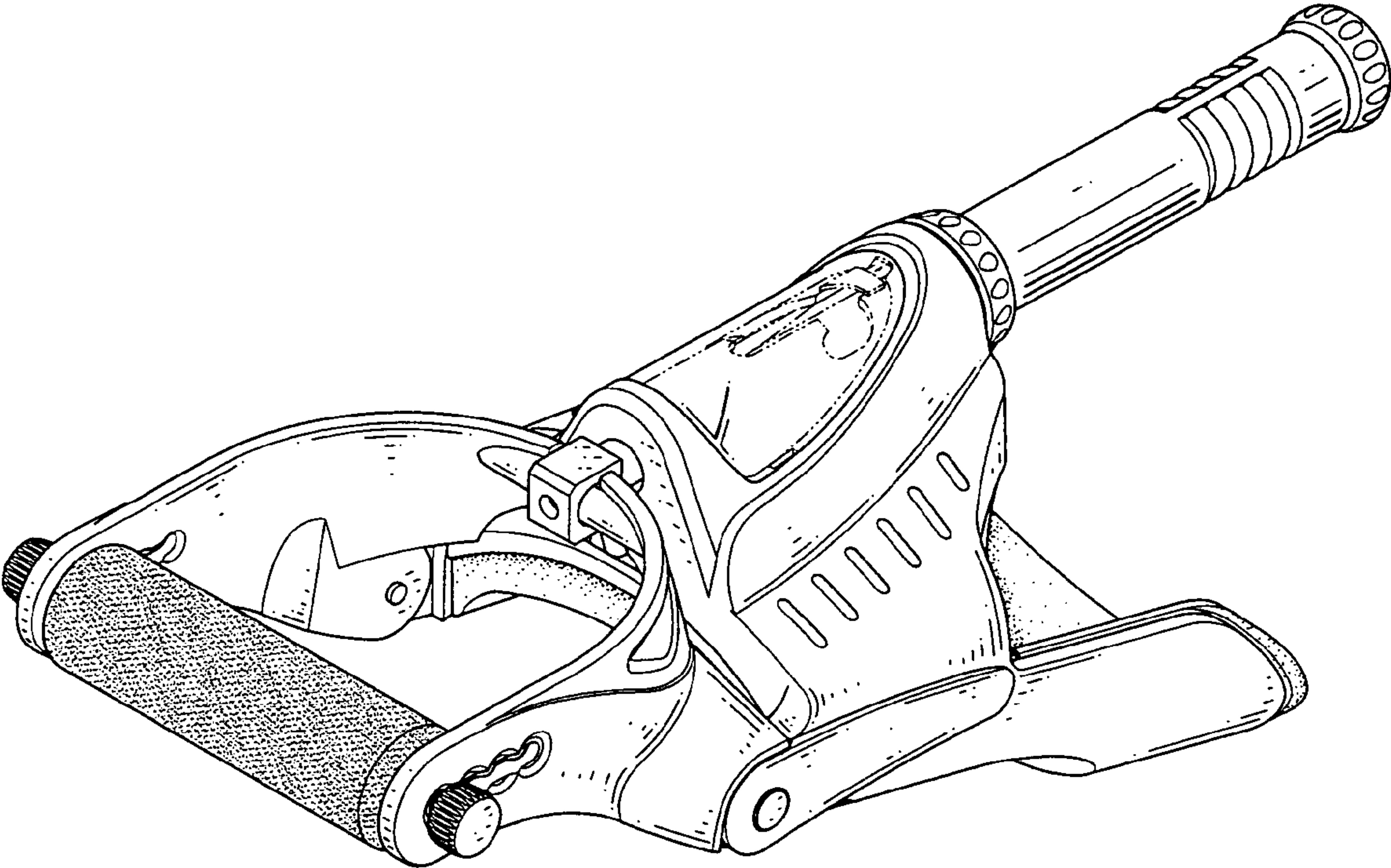


FIG.1

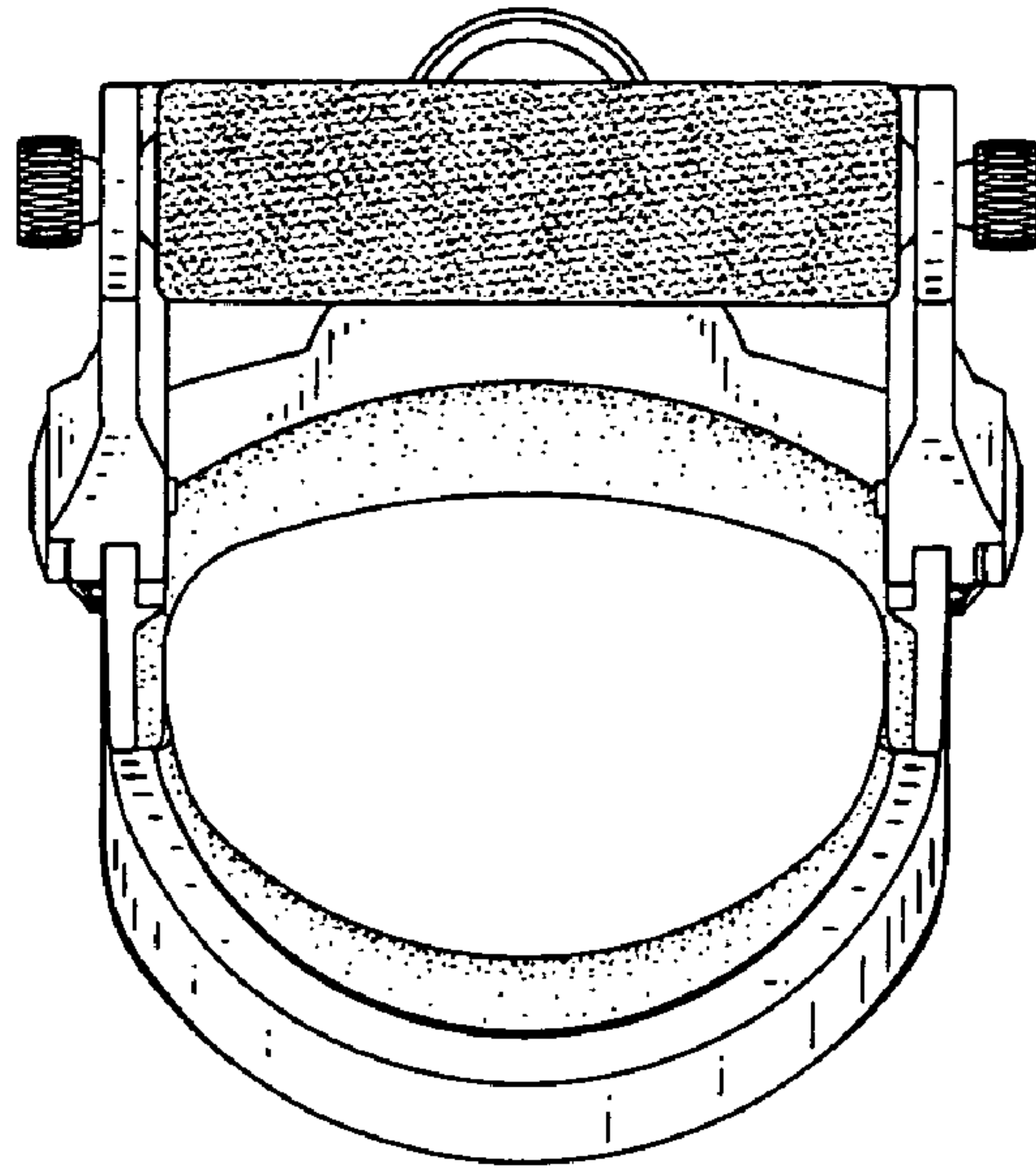


FIG. 2

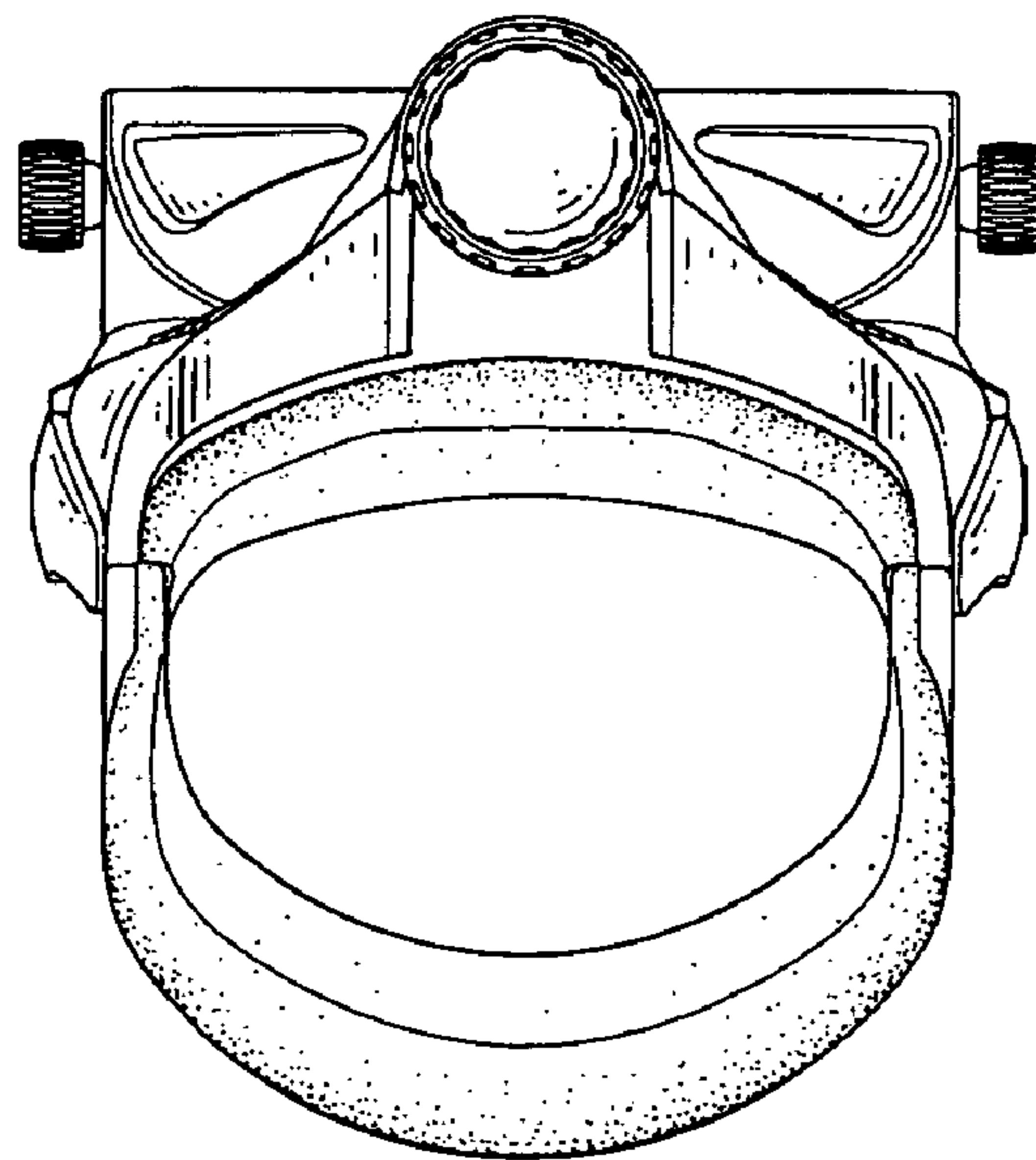


FIG. 3

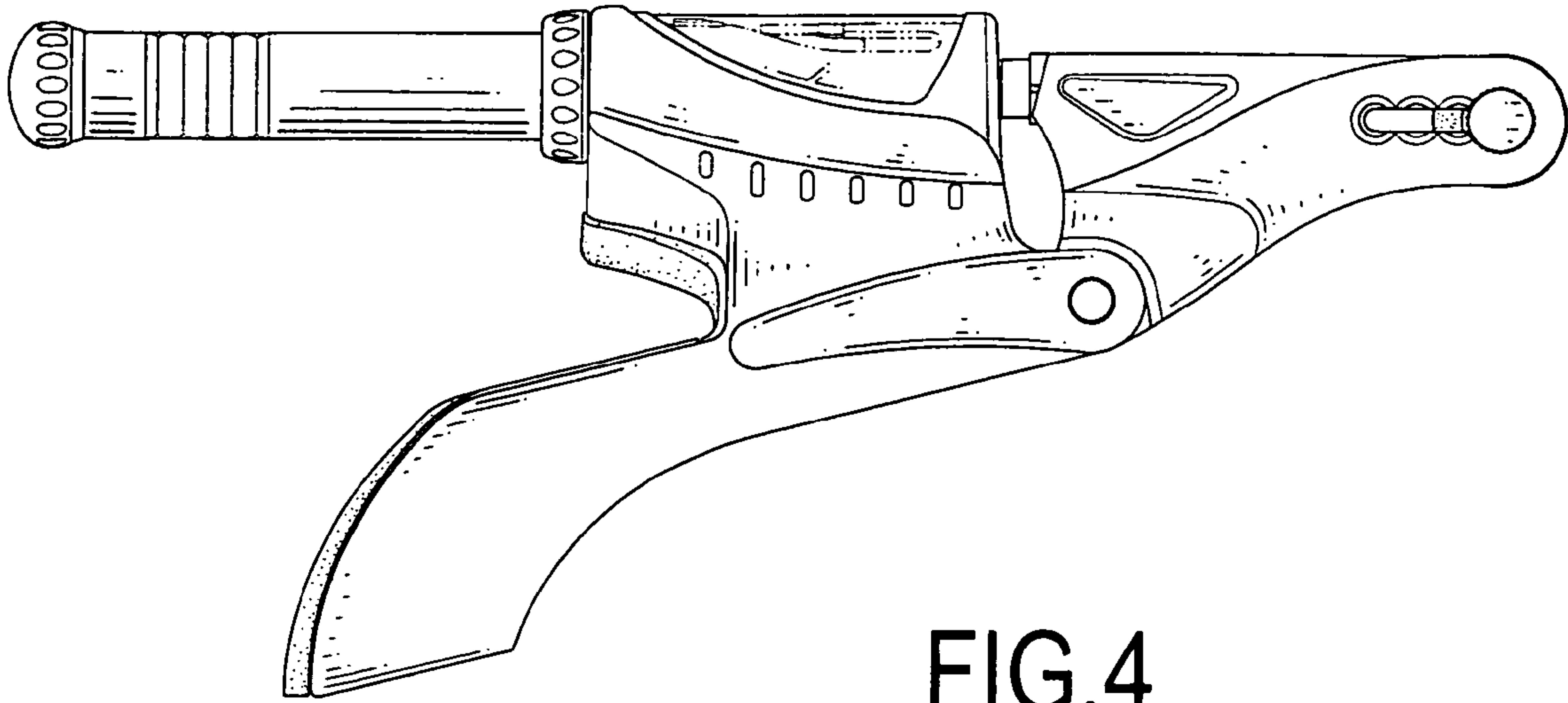


FIG. 4

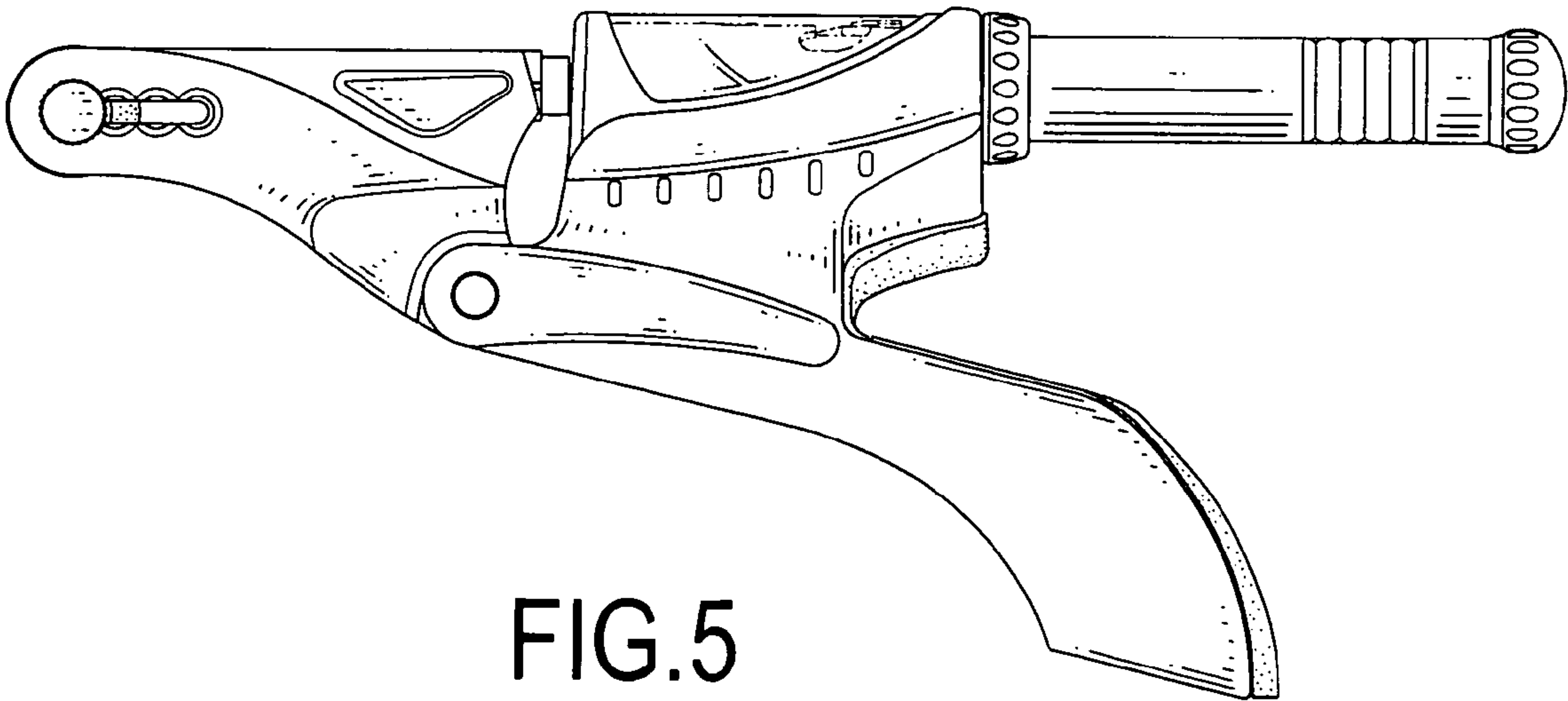


FIG. 5

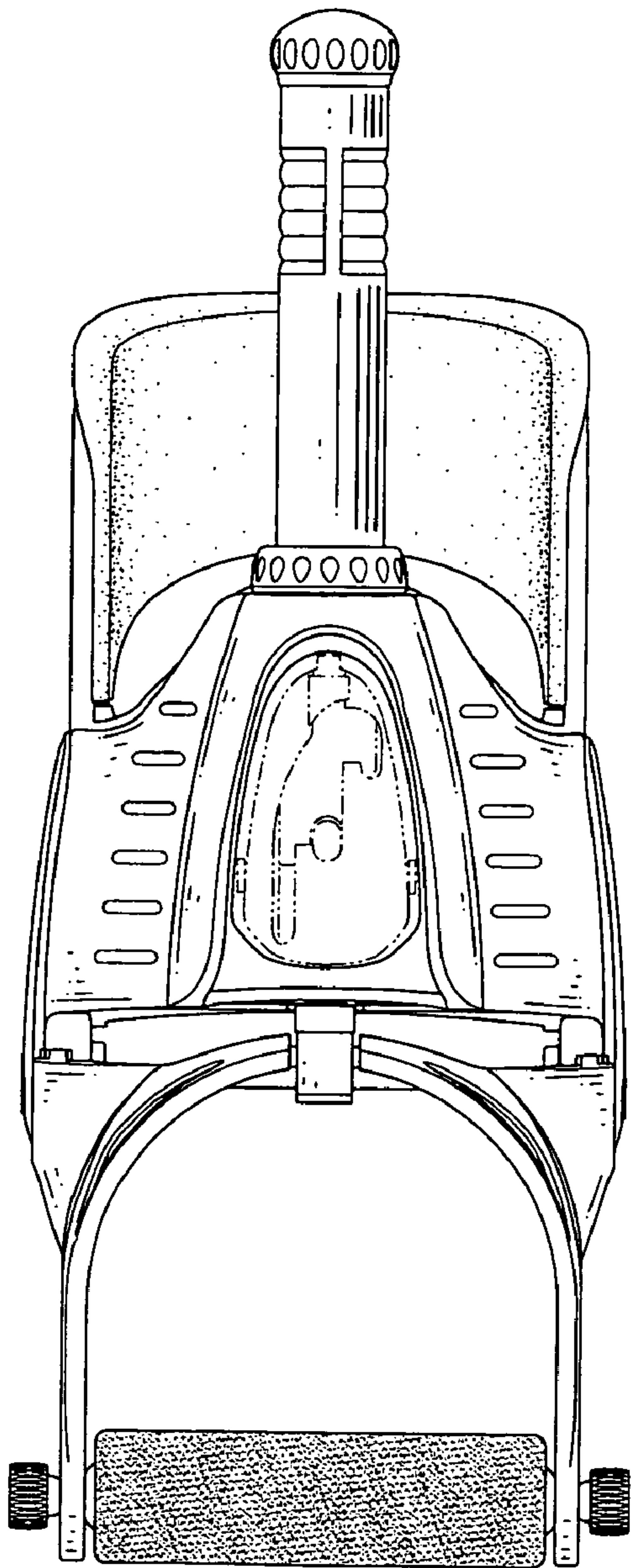


FIG. 6

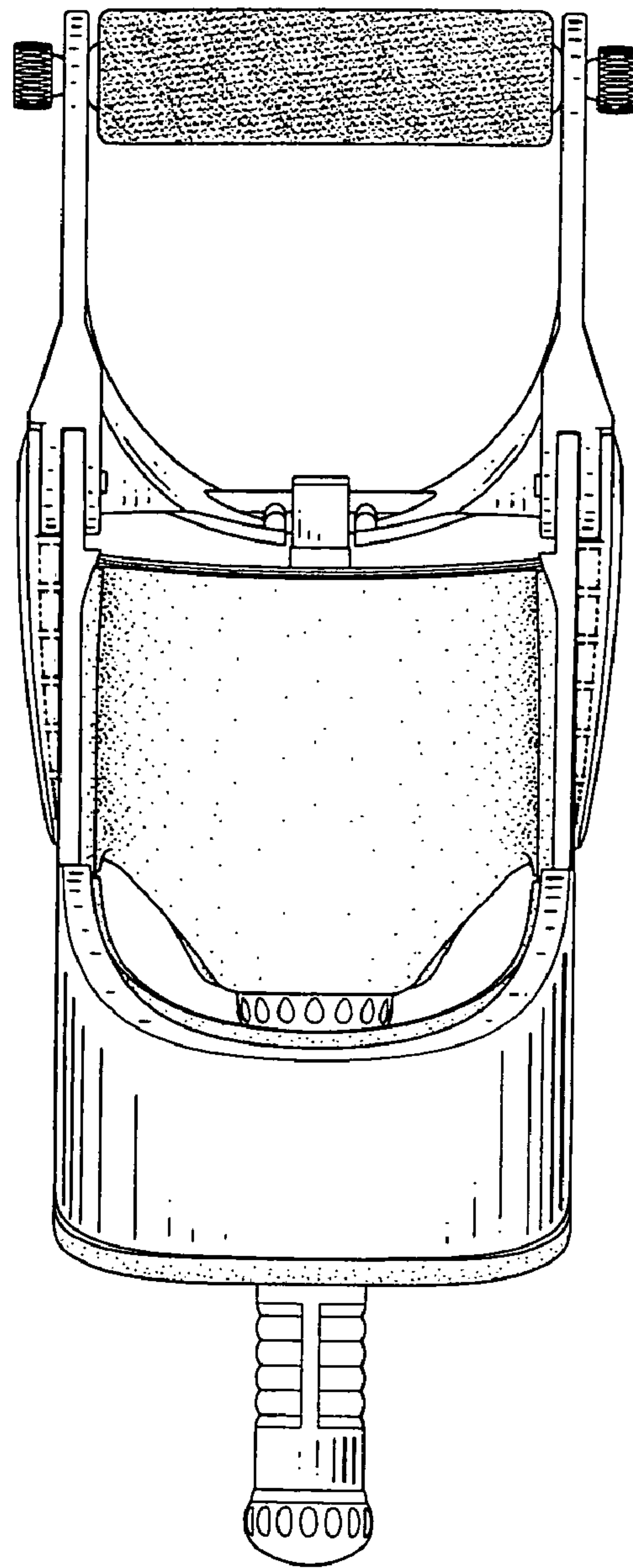


FIG. 7

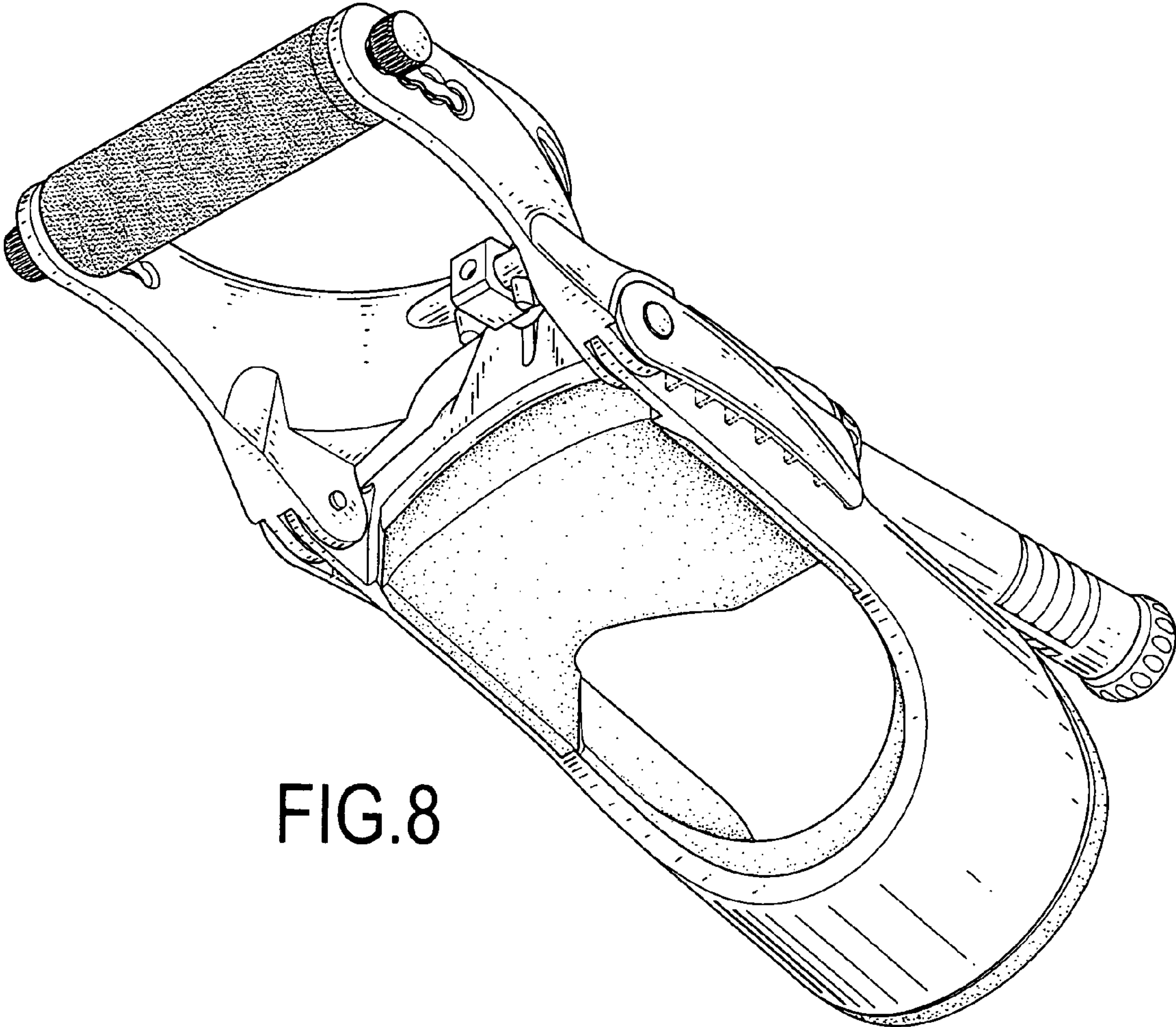


FIG. 8