



US00D609288S

(12) **United States Design Patent**
Khubani

(10) **Patent No.:** **US D609,288 S**

(45) **Date of Patent:** **** Feb. 2, 2010**

(54) **RIDER EXERCISER**

(76) Inventor: **Poonam Khubani**, c/o International
Edge Inc., 79 Two Bridges Rd., Fairfield,
NJ (US) 07004

(**) Term: **14 Years**

(21) Appl. No.: **29/314,852**

(22) Filed: **May 4, 2009**

(51) **LOC (9) Cl.** **21-02**

(52) **U.S. Cl.** **D21/674**

(58) **Field of Classification Search** D21/662,
D21/673, 674; 482/51, 72, 95, 96, 137
See application file for complete search history.

(56) **References Cited**

U.S. PATENT DOCUMENTS

2,642,288 A	6/1953	Bell	
2,924,456 A	2/1960	Miller	
4,300,760 A	11/1981	Bobroff	
4,856,775 A	8/1989	Colledge et al.	
5,178,599 A *	1/1993	Scott	482/137
D344,112 S	2/1994	Smith	
5,356,357 A *	10/1994	Wang et al.	482/96
5,366,428 A *	11/1994	Liao	482/96
D356,128 S	3/1995	Smith et al.	
5,421,795 A *	6/1995	Chen	482/96
5,458,553 A	10/1995	Wu	
5,464,378 A	11/1995	Yu	
D367,689 S	3/1996	Wilkinson et al.	
5,569,132 A *	10/1996	Wu	482/96
D375,534 S *	11/1996	Lin	D21/674
5,582,562 A	12/1996	Wang et al.	
5,591,108 A *	1/1997	Chen	482/95
5,626,542 A	5/1997	Dalebout et al.	
D380,509 S	7/1997	Wilkinson et al.	
D383,814 S *	9/1997	Ward	D21/674
5,672,142 A	9/1997	Wu	

5,674,161 A *	10/1997	Lin	482/96
5,695,434 A	12/1997	Dalebout et al.	
5,695,435 A	12/1997	Dalebout et al.	
5,722,917 A	3/1998	Olschansky et al.	
6,533,710 B2	3/2003	Lin et al.	
6,817,968 B2	11/2004	Galbraith et al.	
7,052,444 B2	5/2006	Webber	
2006/0217238 A1	9/2006	Liao	
2007/0129225 A1	6/2007	Hammer	

OTHER PUBLICATIONS

“HealthRider The Total Body Fitness Machine”, User’s Manual, 16 pages, 2005.

“HealthRider HR2”, User’s Manual, 16 pages, 2006.

“The HealthRider”, 1 page, <www.healthrider.com>, 2008.

“HealthRider HR2”, 1 page, <www.healthrider.com>, 2008.

* cited by examiner

Primary Examiner—Philip S Hyder

(74) Attorney, Agent, or Firm—Cooper & Dunham LLP

(57) **CLAIM**

The ornamental design for a rider exerciser, as shown and described.

DESCRIPTION

FIG. 1 is a perspective view thereof;

FIG. 2 is a side view thereof;

FIG. 3 is the other side view thereof;

FIG. 4 is a front view thereof;

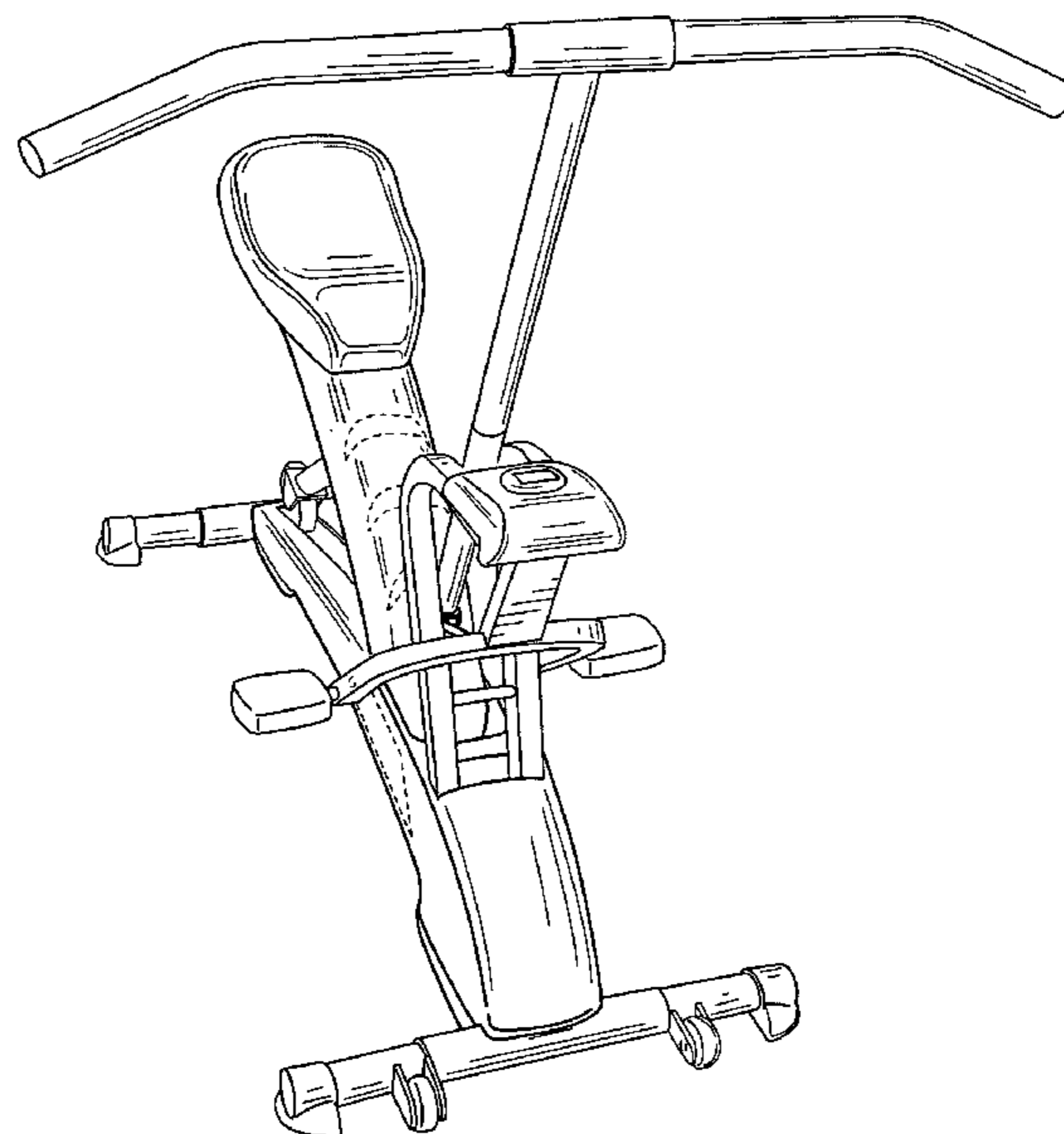
FIG. 5 is a rear view thereof;

FIG. 6 is a top view thereof; and,

FIG. 7 is a bottom view thereof.

The broken lines in FIGS. 1–4 and 6 are for illustrative purposes only and form no part of the claimed design.

1 Claim, 6 Drawing Sheets



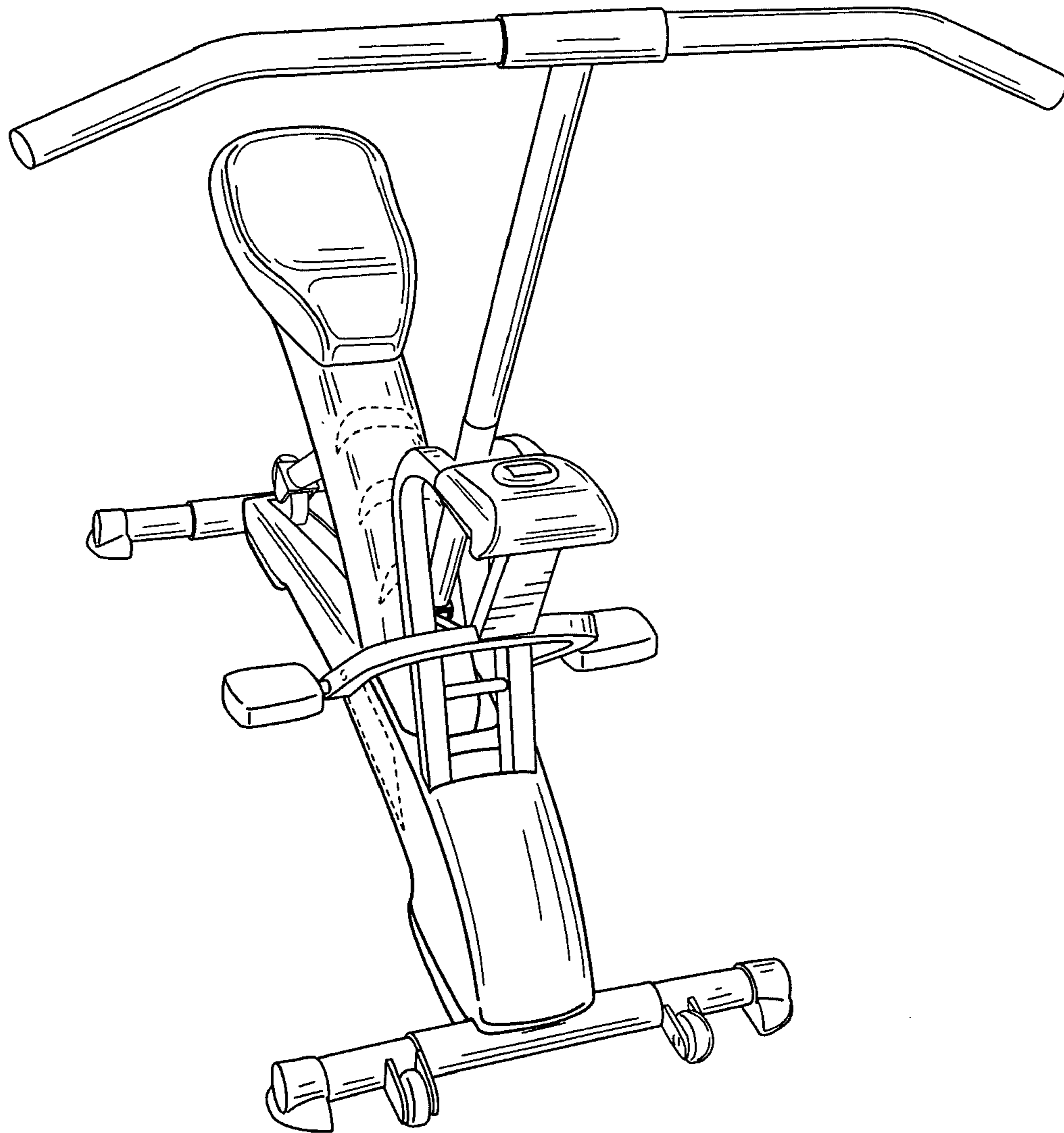


FIG. 1

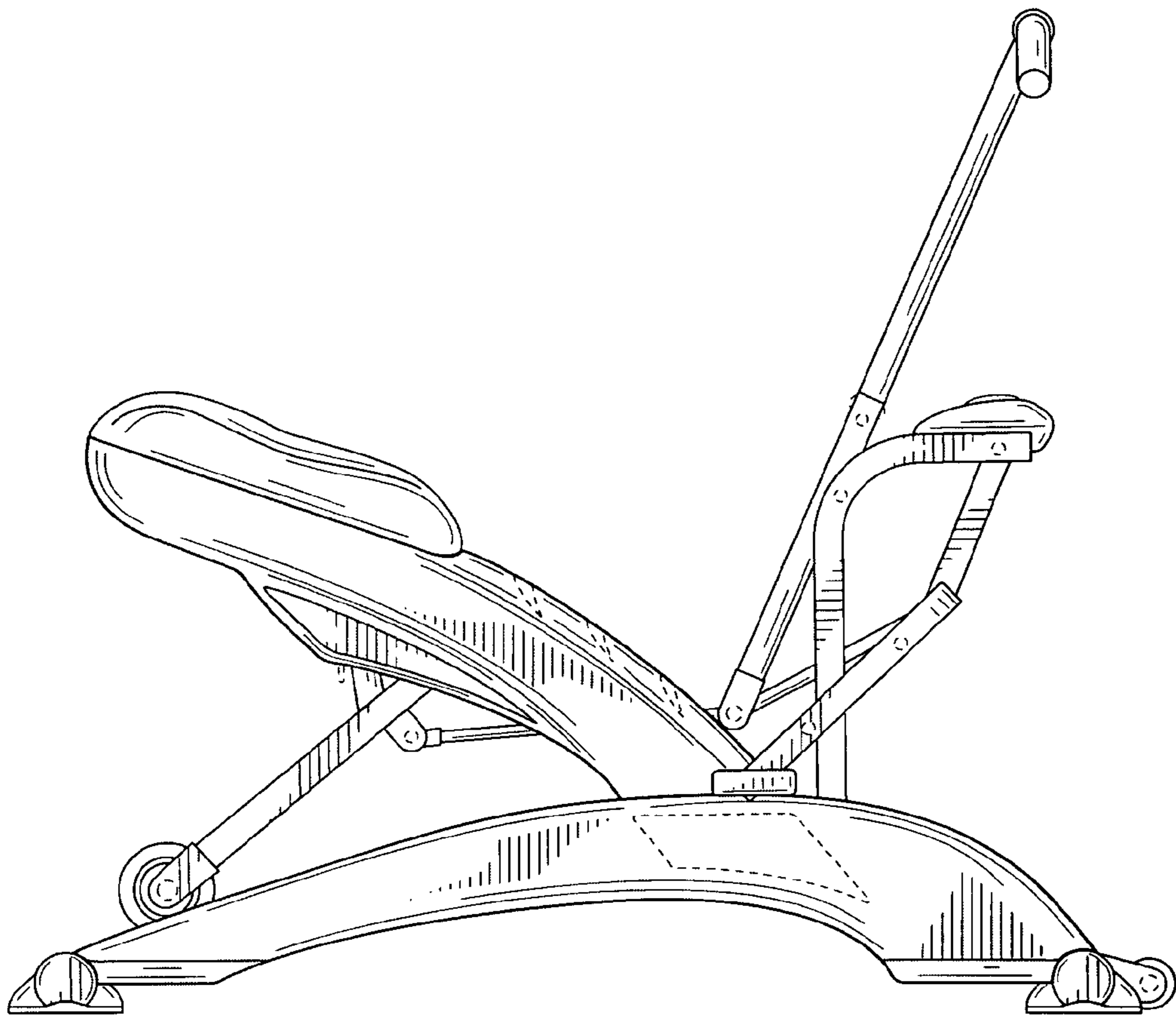


FIG. 2

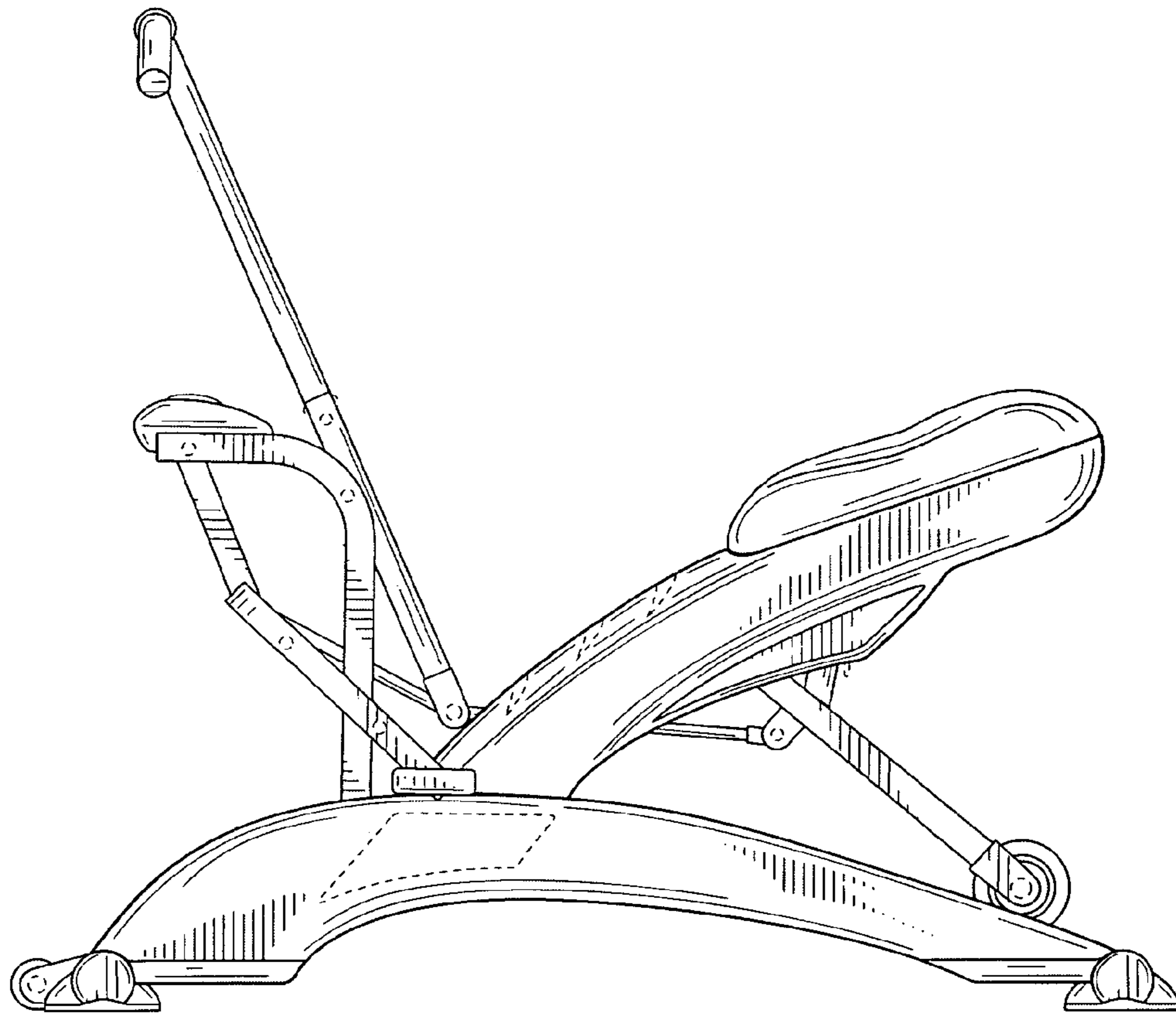


FIG. 3

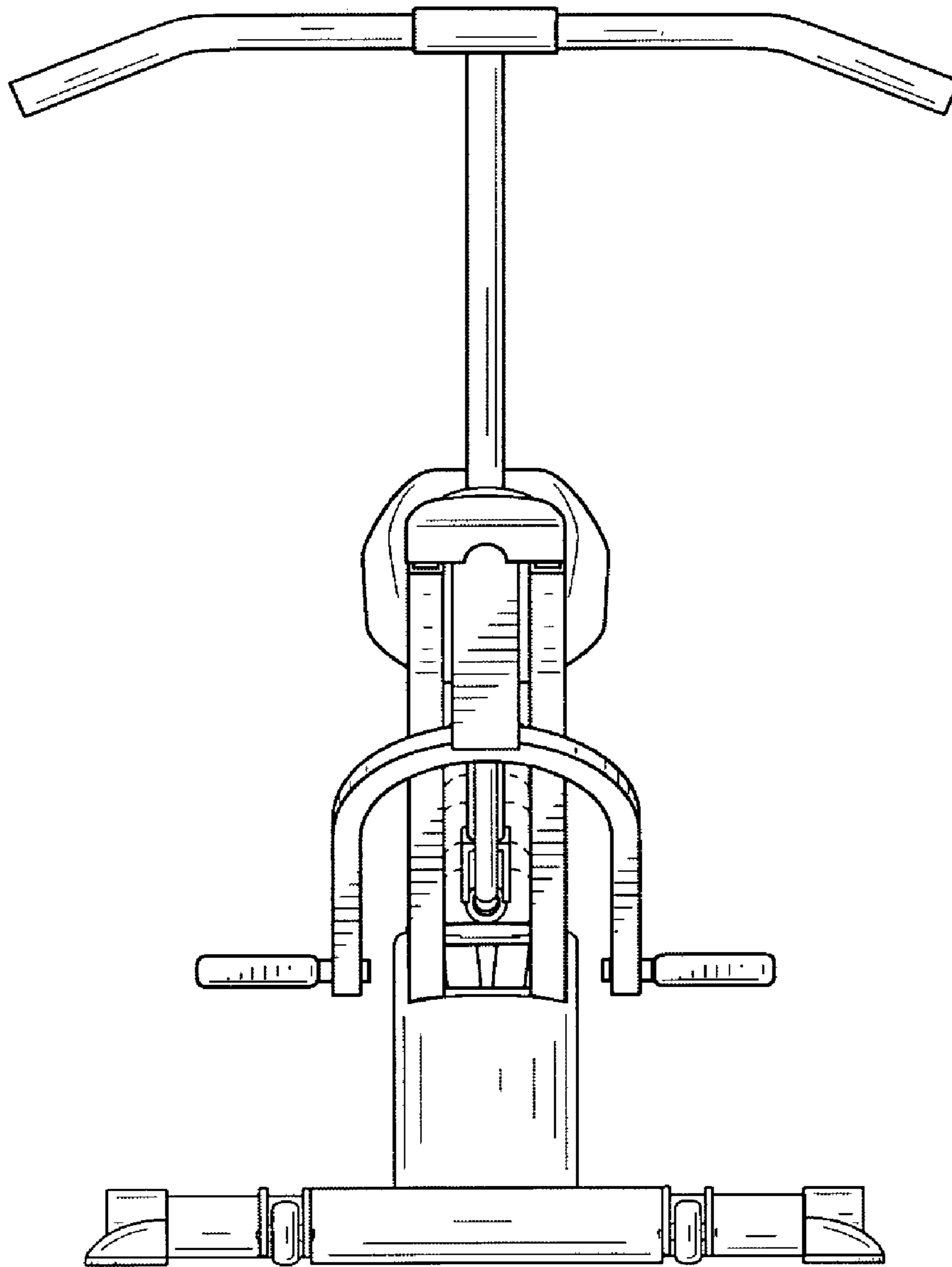


FIG. 4

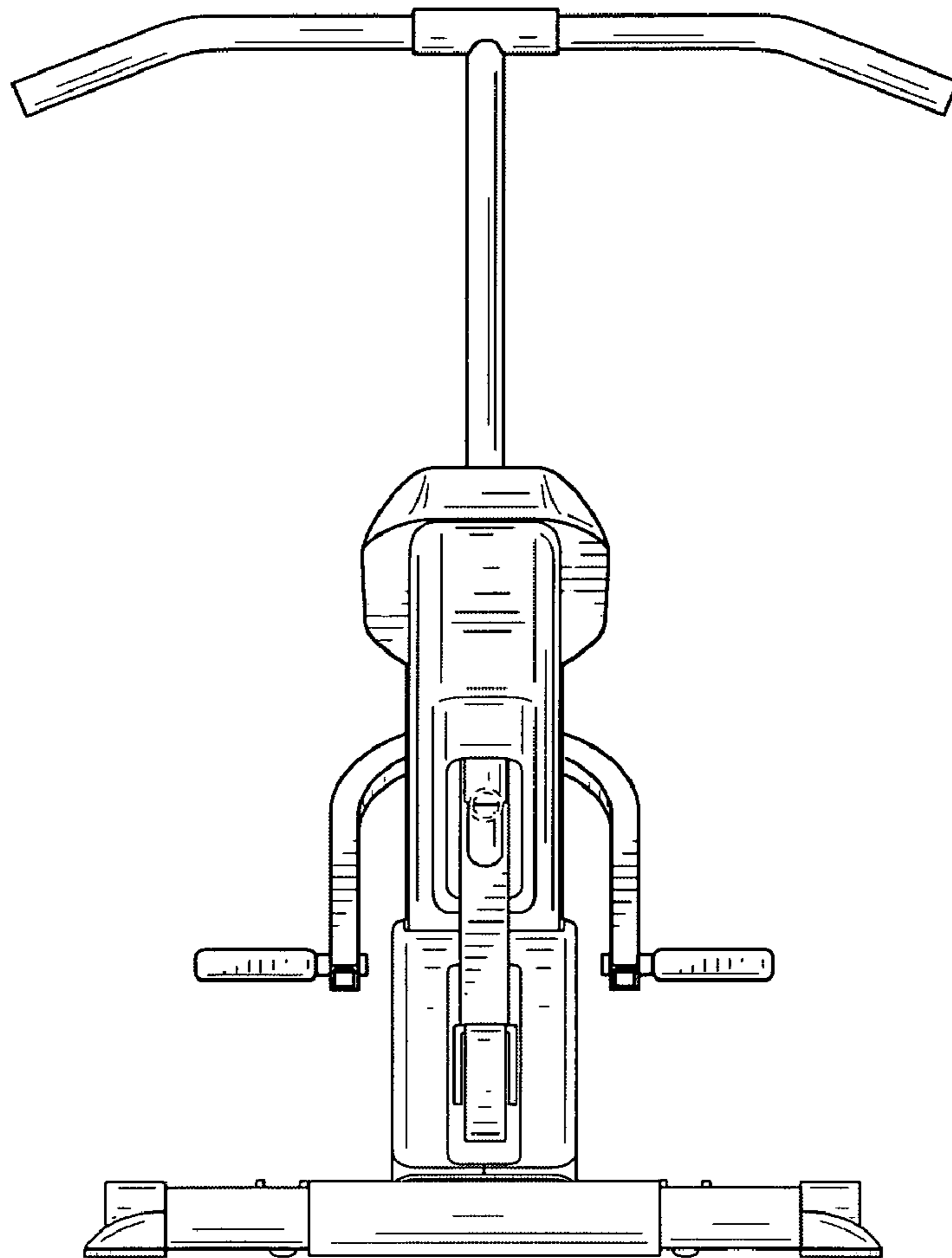


FIG. 5

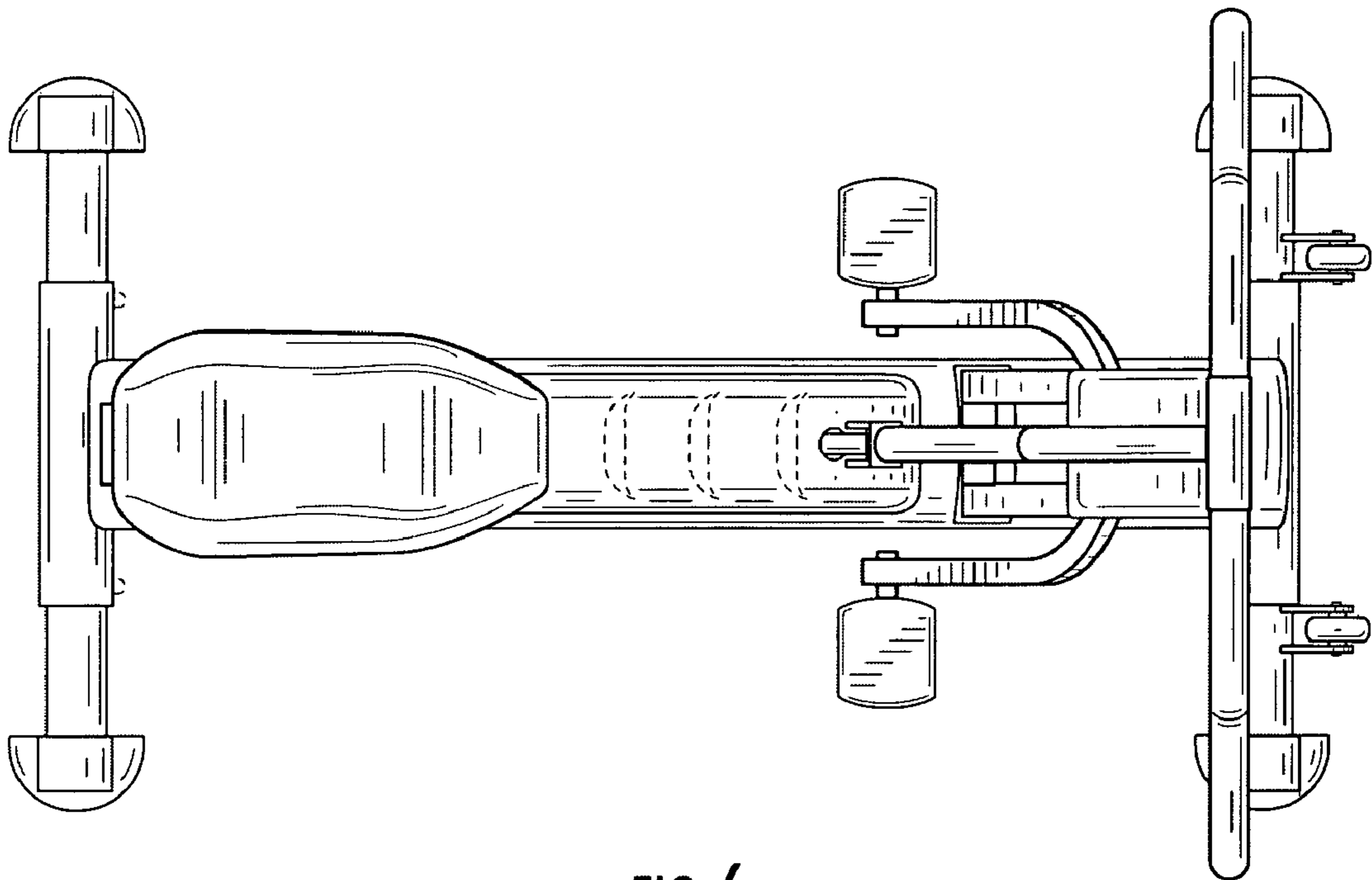


FIG. 6

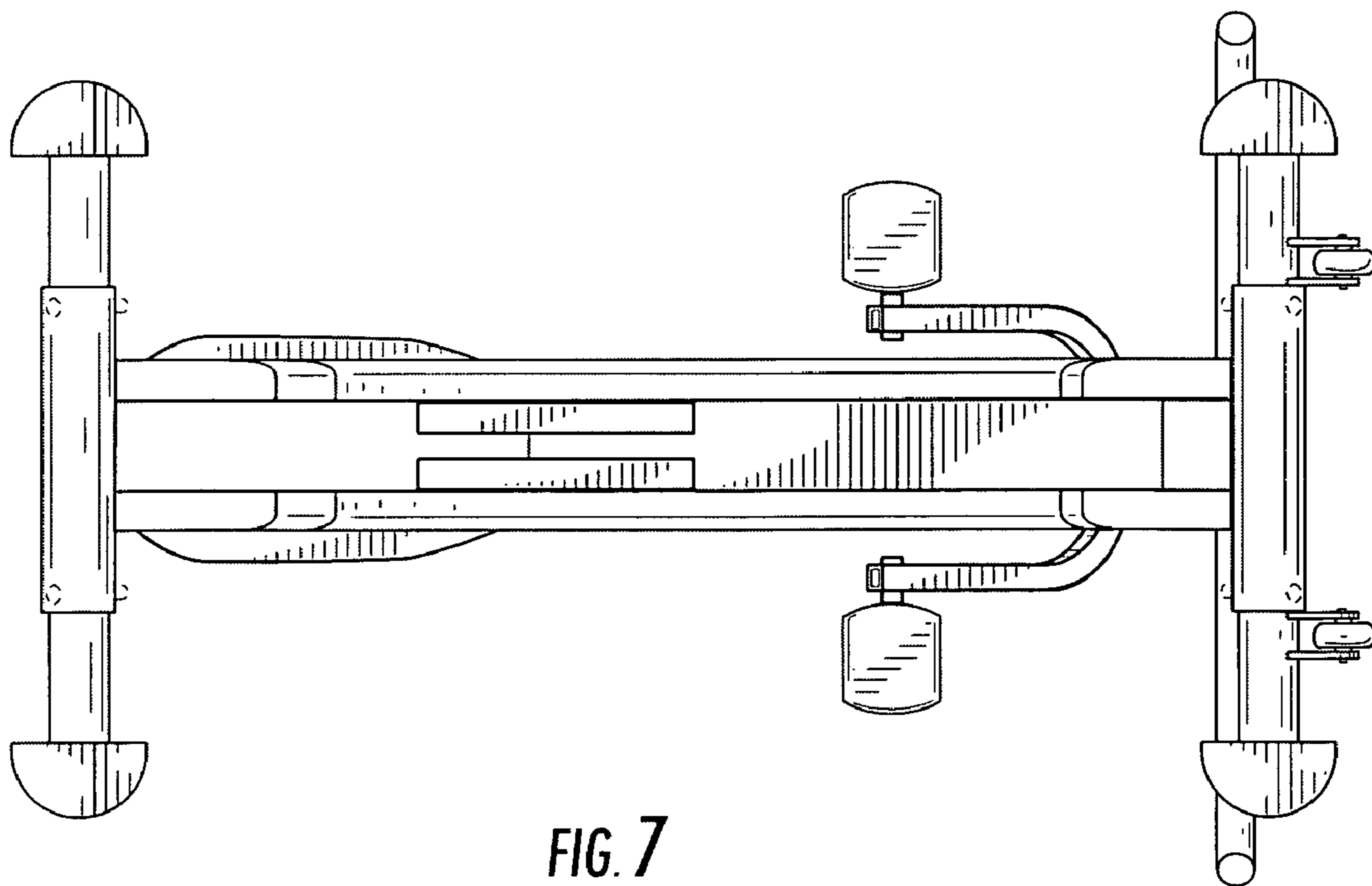


FIG. 7