



US00D609282S

(12) **United States Design Patent**
Jülich

(10) **Patent No.:** **US D609,282 S**
(45) **Date of Patent:** **** Feb. 2, 2010**

(54) **TOY BUILDING ELEMENT**

(76) Inventor: **Kristian Jülich**, Schillerstr. 107, Berlin (DE) 10625

(**) Term: **14 Years**

(21) Appl. No.: **29/332,989**

(22) Filed: **Feb. 28, 2009**

(30) **Foreign Application Priority Data**

Aug. 29, 2008	(EM)	000994397-0041
Aug. 29, 2008	(EM)	000994397-0048
Aug. 29, 2008	(EM)	000994397-0049
Aug. 29, 2008	(EM)	000994397-0050
Aug. 29, 2008	(EM)	000994397-0051
Aug. 29, 2008	(EM)	000994397-0051

(51) **LOC (9) Cl.** **21-01**

(52) **U.S. Cl.** **D21/501**

(58) **Field of Classification Search** D21/484, D21/485, 486, 489, 491, 494, 499, 500, 503, D21/504; D25/113, 114, 115, 116, 118; 446/69, 85, 102-128; 434/208, 259, 403; 273/153, 156, 160; D9/732; 428/174

See application file for complete search history.

(56) **References Cited**

U.S. PATENT DOCUMENTS

D290,720 S * 7/1987 Bertrand D21/500
(Continued)

OTHER PUBLICATIONS

Four photographs showing building blocks known to be part of a build block collection "BOB" that was popular in Germany around the 1950s. No further details available.

(Continued)

Primary Examiner—Holly H Baynham

Assistant Examiner—Cynthia M Chin

(74) *Attorney, Agent, or Firm*—Smartpat PLC; Axel Nix

(57) **CLAIM**

I claim the ornamental design for a toy building element, as shown and described.

DESCRIPTION

FIG. 1 is a left side view of a first embodiment of a toy building element showing my new design, the right side view being identical;

FIG. 2 is a front view of the first embodiment shown in FIG. 1, the rear view being identical;

FIG. 3 is a top view of the first embodiment shown in FIG. 1; FIG. 4 is a bottom view of the first embodiment shown in FIG. 1;

FIG. 5 is an elevated top, front and right side view of the first embodiment shown in FIG. 1;

FIG. 6 is an elevated bottom, front, and right side view of the first embodiment shown in FIG. 1;

FIG. 7 is a right side view of a second embodiment of a toy building element showing my new design;

FIG. 8 is a left side view of the second embodiment shown in FIG. 7;

FIG. 9 is a front view of the second embodiment shown in FIG. 7, the rear view being identical;

FIG. 10 is a top view of the second embodiment shown in FIG. 7;

FIG. 11 is a bottom view of the second embodiment shown in FIG. 7;

FIG. 12 is an elevated top, front and left side view of the second embodiment shown in FIG. 7;

FIG. 13 is an elevated bottom, rear, and left side view of the second embodiment shown in FIG. 7;

FIG. 14 is a left side view of a third embodiment of a toy building element showing my new design, the right side view being identical;

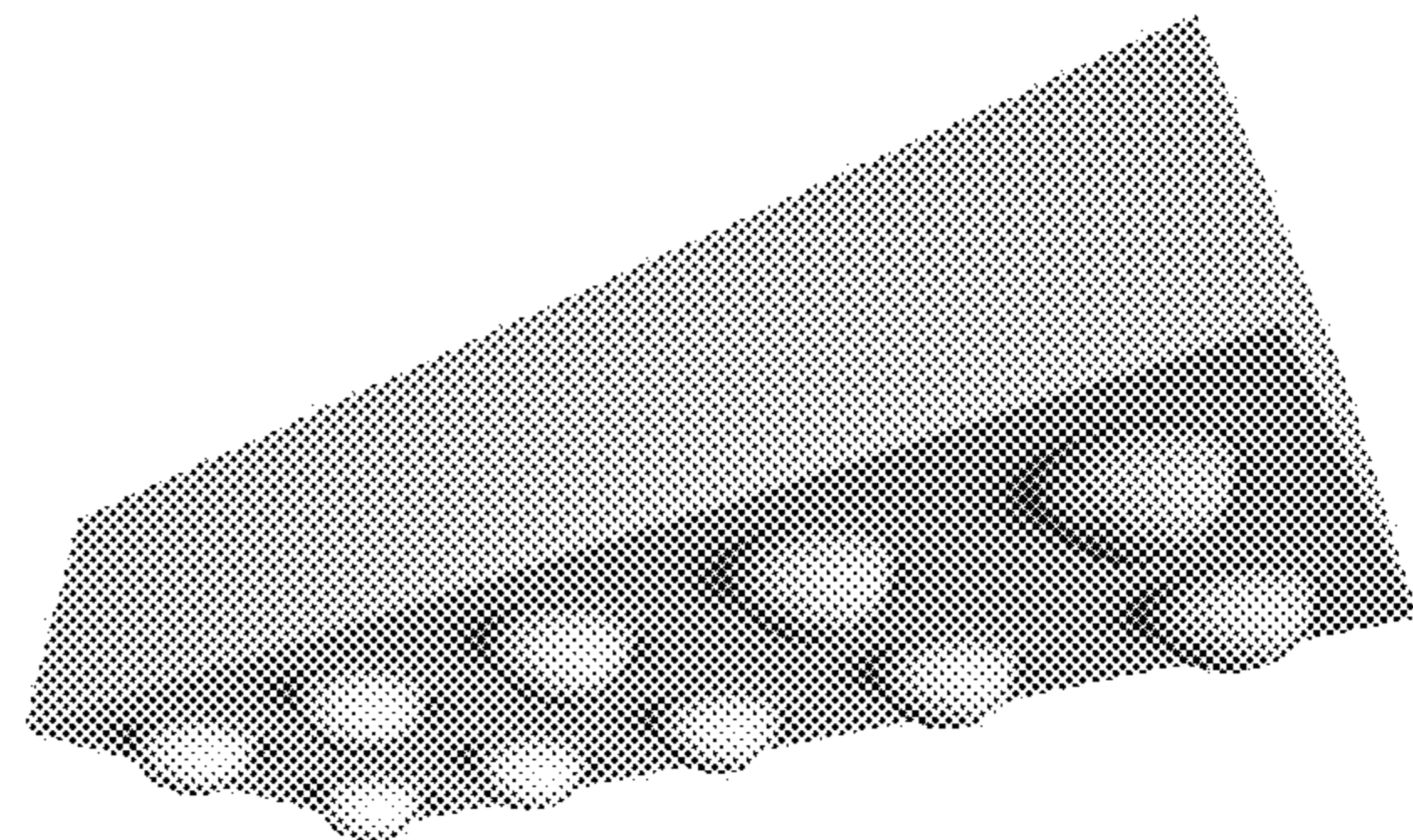
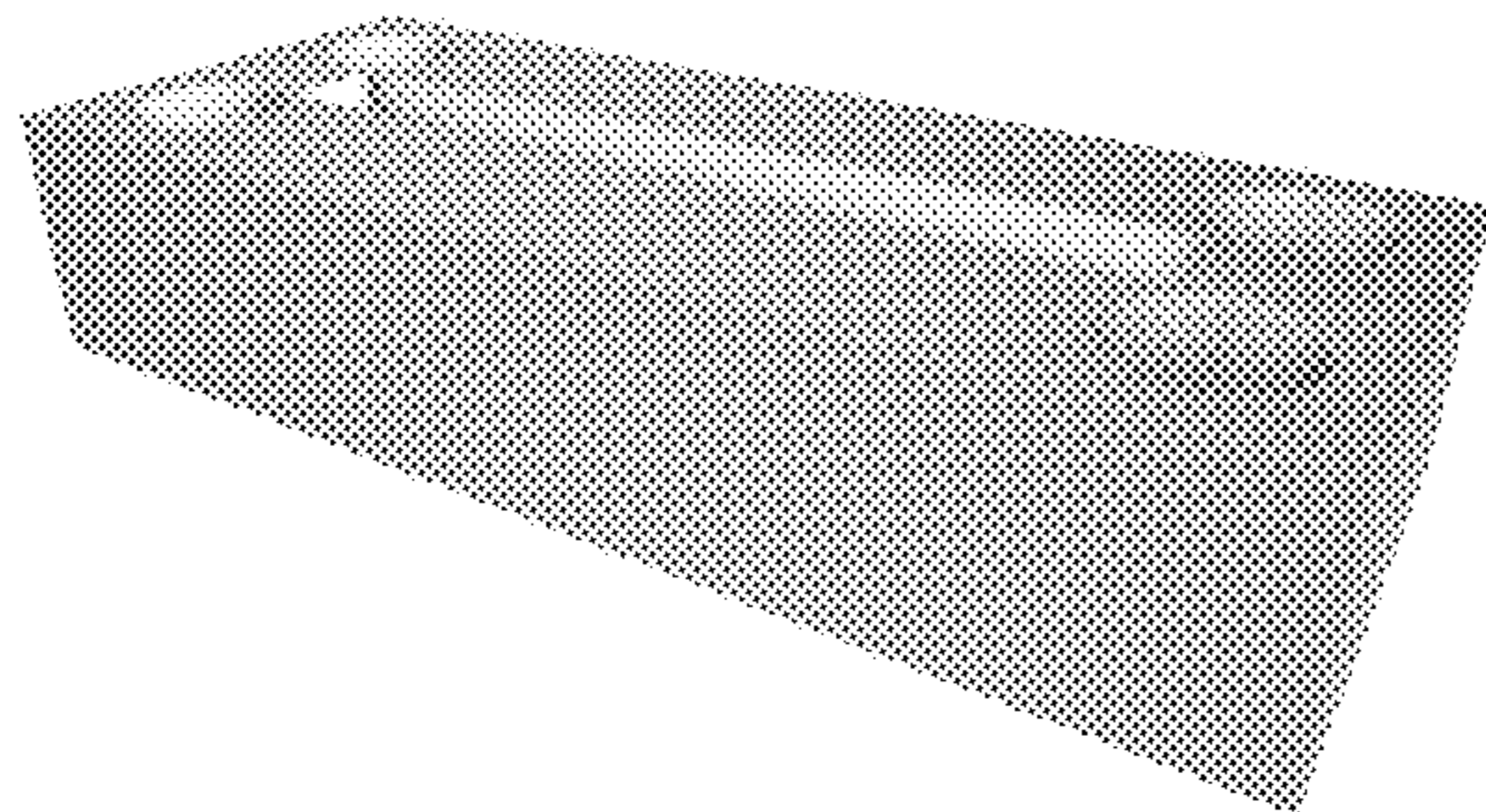
FIG. 15 is a front view of the third embodiment shown in FIG. 14, the rear view being identical;

FIG. 16 is a top view of the third embodiment shown in FIG. 14;

FIG. 17 is a bottom view of the third embodiment shown in FIG. 14;

FIG. 18 is an elevated top, front and left side view of the third embodiment shown in FIG. 14; and,

FIG. 19 is an elevated bottom, front, and right side view of the third embodiment shown in FIG. 14.



US D609,282 S

Page 2

U.S. PATENT DOCUMENTS

D360,909 S * 8/1995 Frederiksen D21/500
D363,513 S * 10/1995 Frederiksen D21/500
D363,514 S * 10/1995 Frederiksen D21/500
D366,914 S * 2/1996 Frederiksen D21/500
D373,151 S * 8/1996 Mathiesen D21/489

OTHER PUBLICATIONS

<http://www.baukastensammler.de/sammlung/steinbaukasten/bob/bobyman.html>. The disclosure shows a building block collection "Boby Typ 2", having known after 1962.
<http://www.baukastensammler.de/sammlung/steinbaukasten/bob/taufibelmain.html> and four images accessible through that page. The disclosure shows building block collection "Baumodelle BOB", having been known around 1954.
* cited by examiner

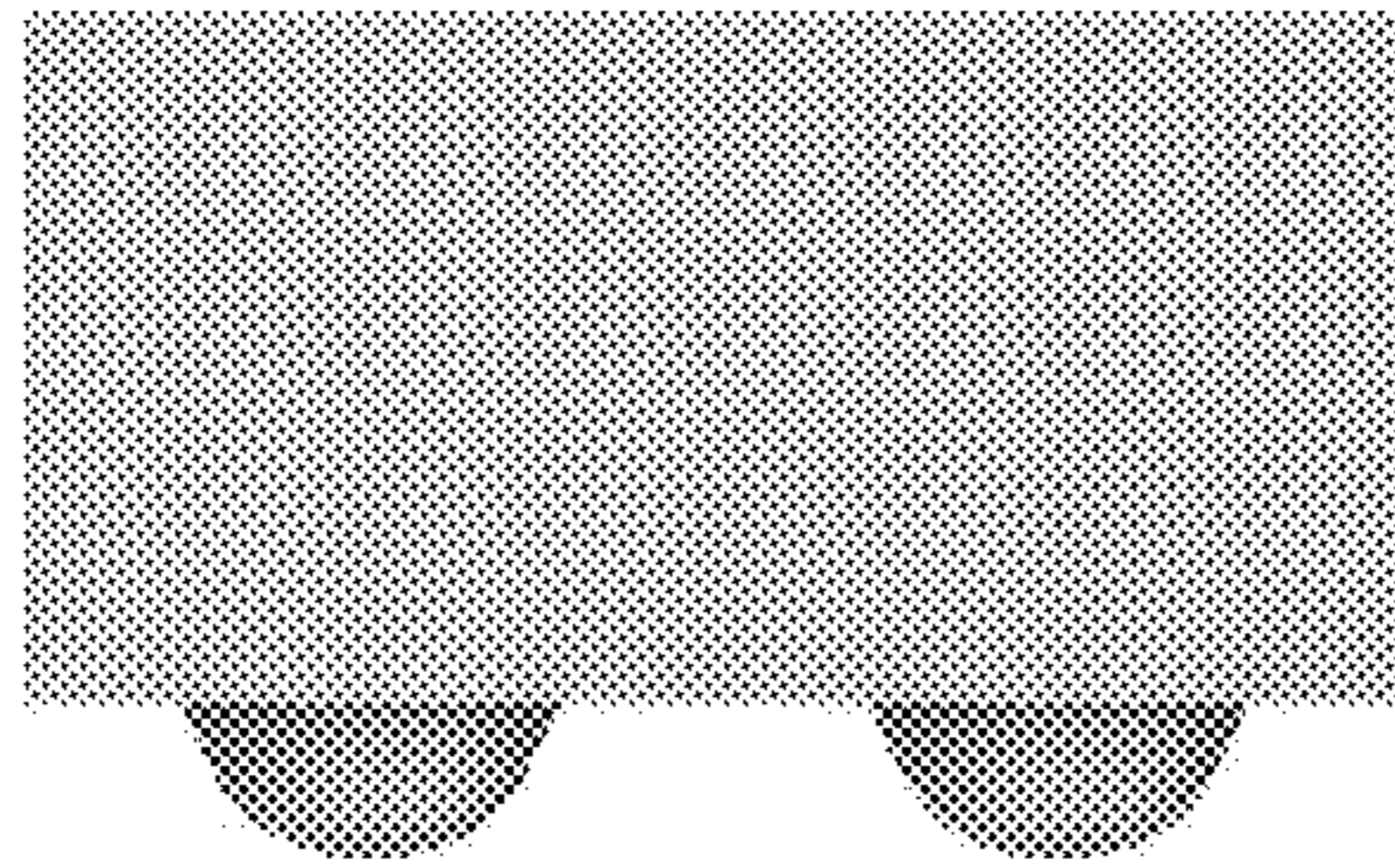


FIG. 1

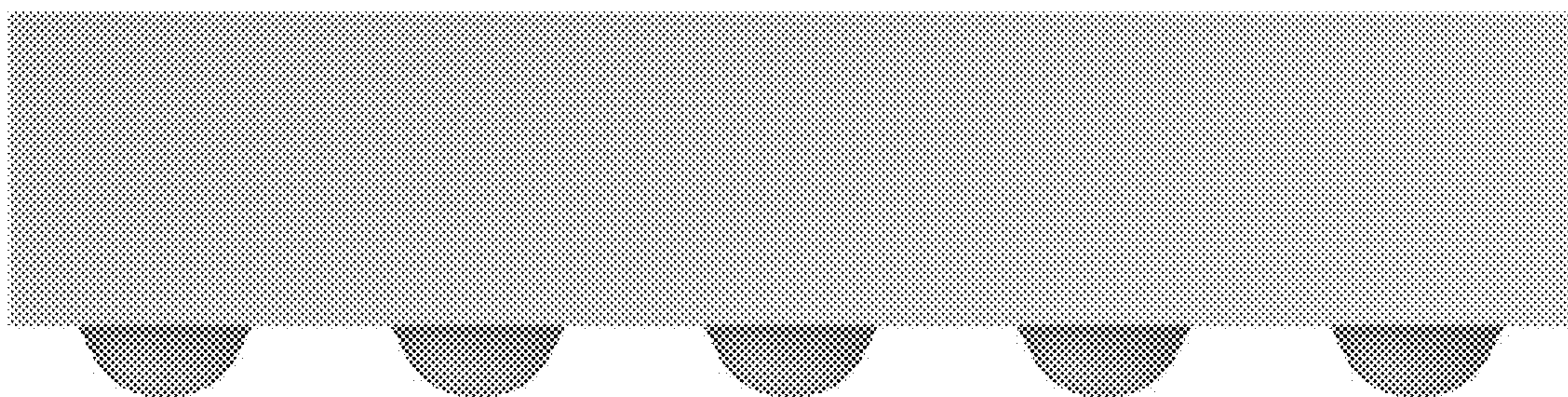


FIG. 2

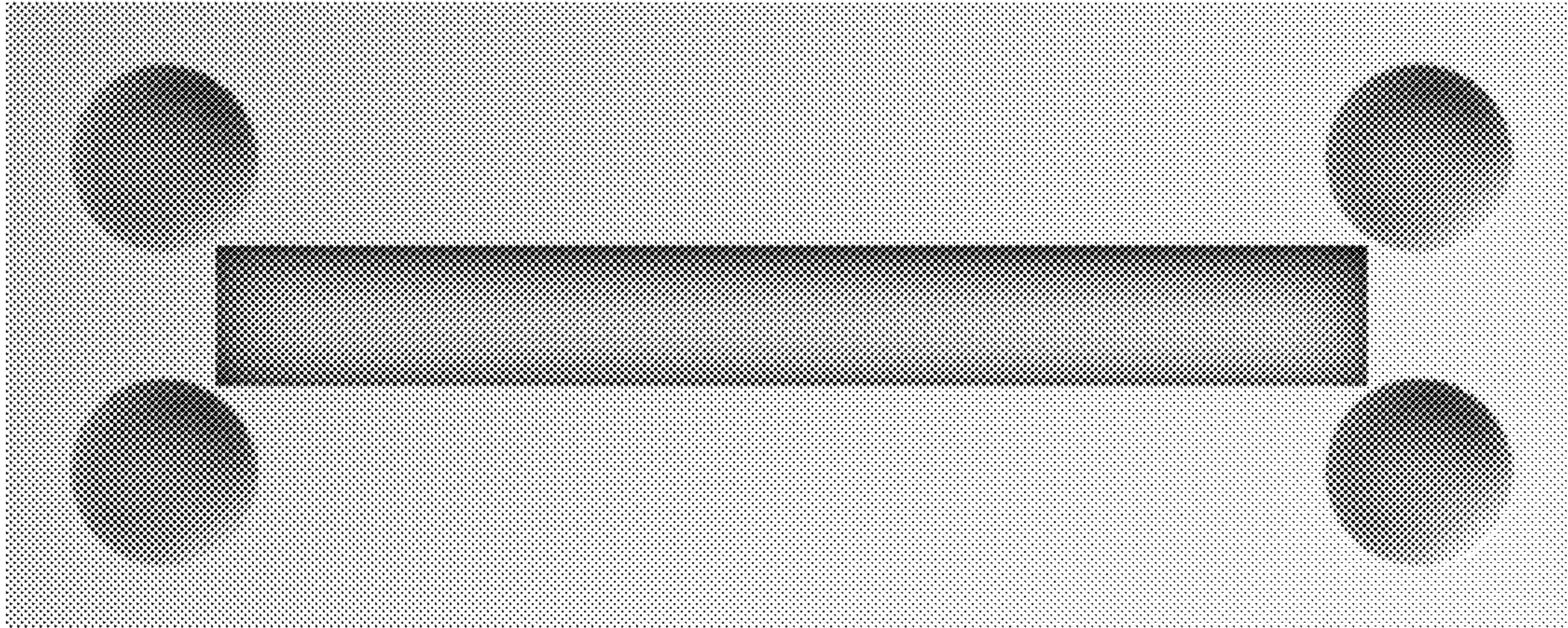


FIG. 3

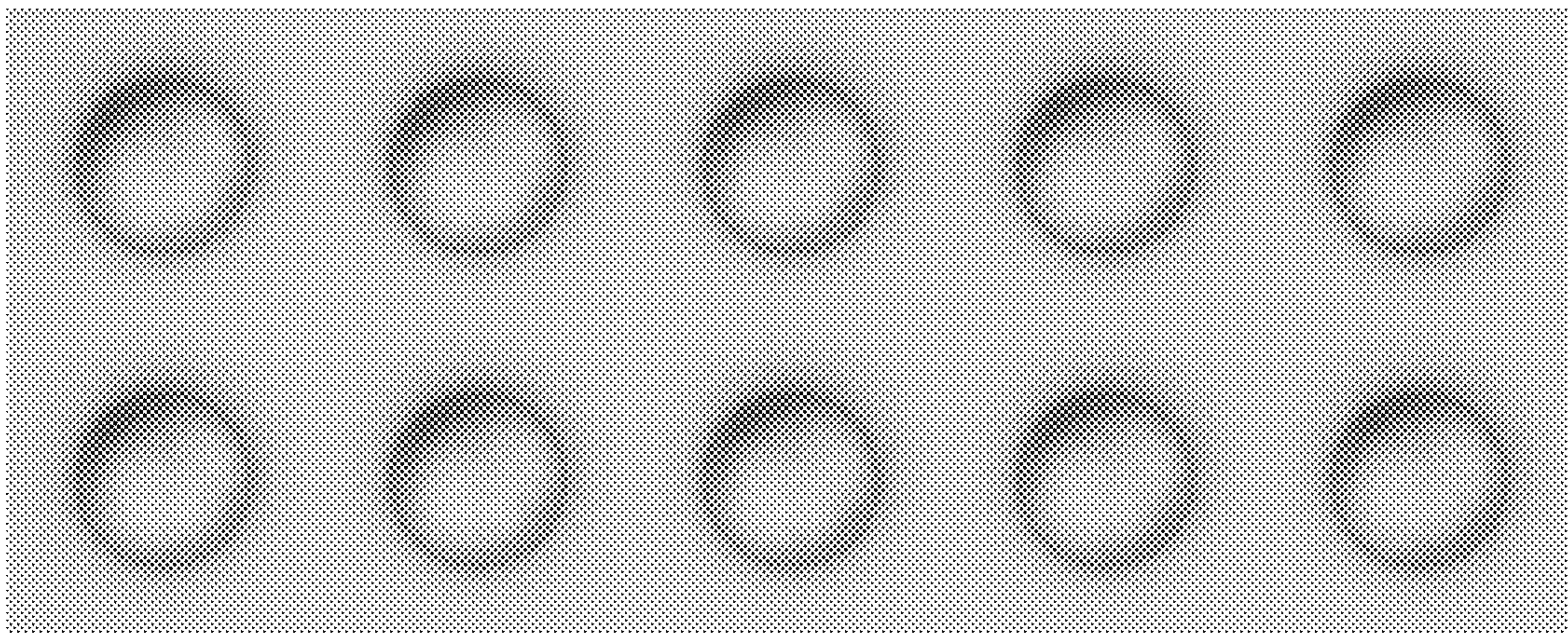


FIG. 4

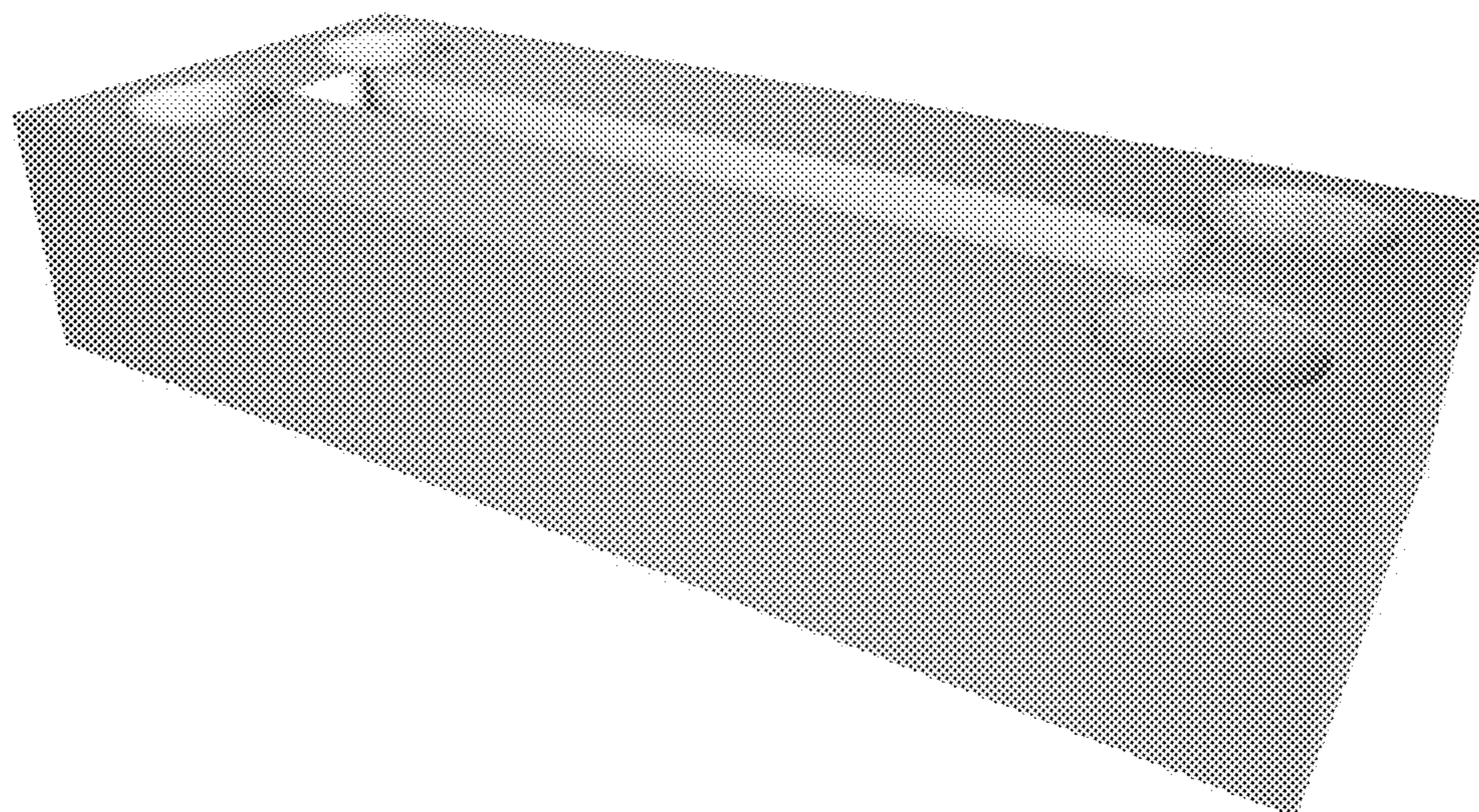


FIG. 5

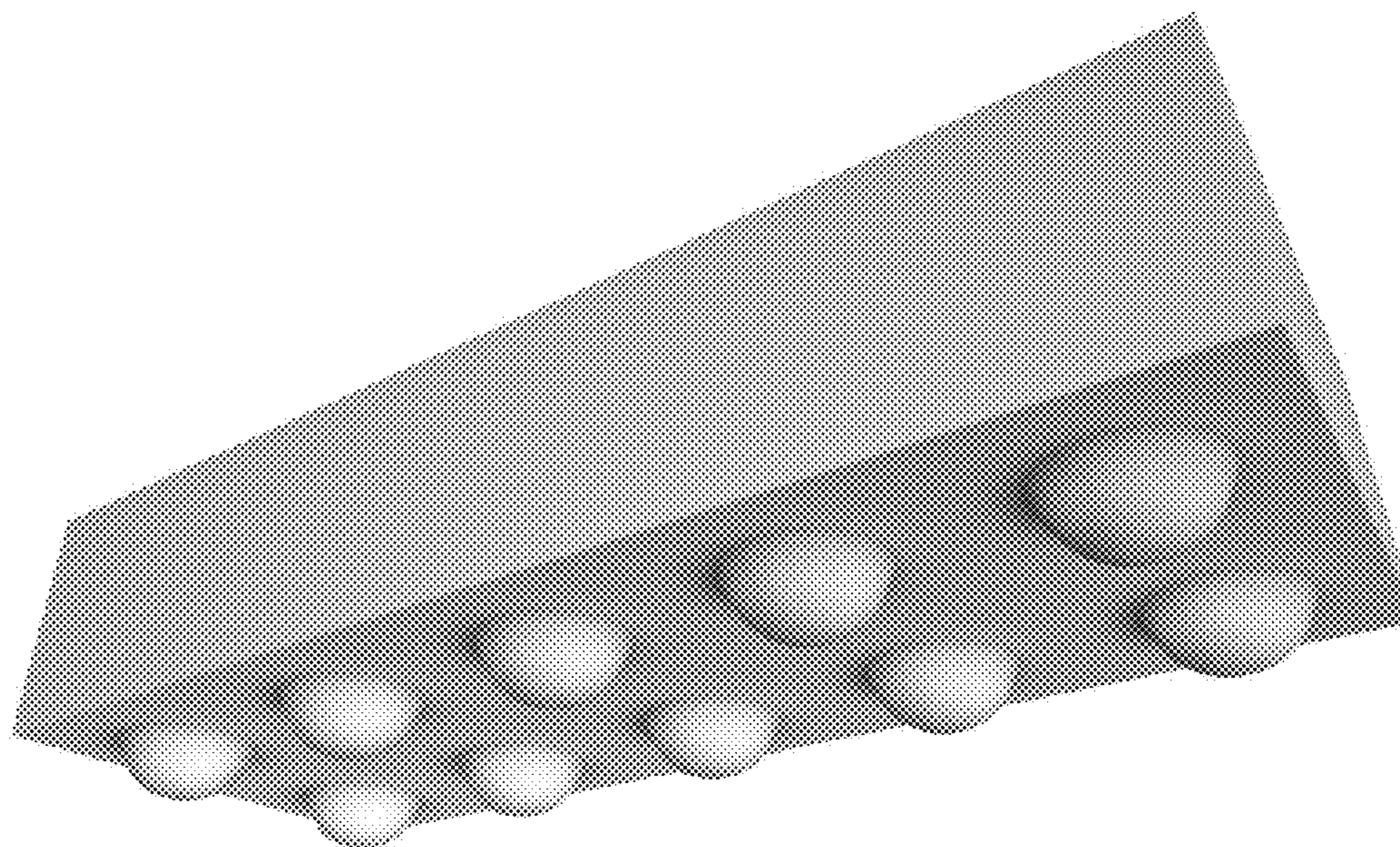


FIG. 6

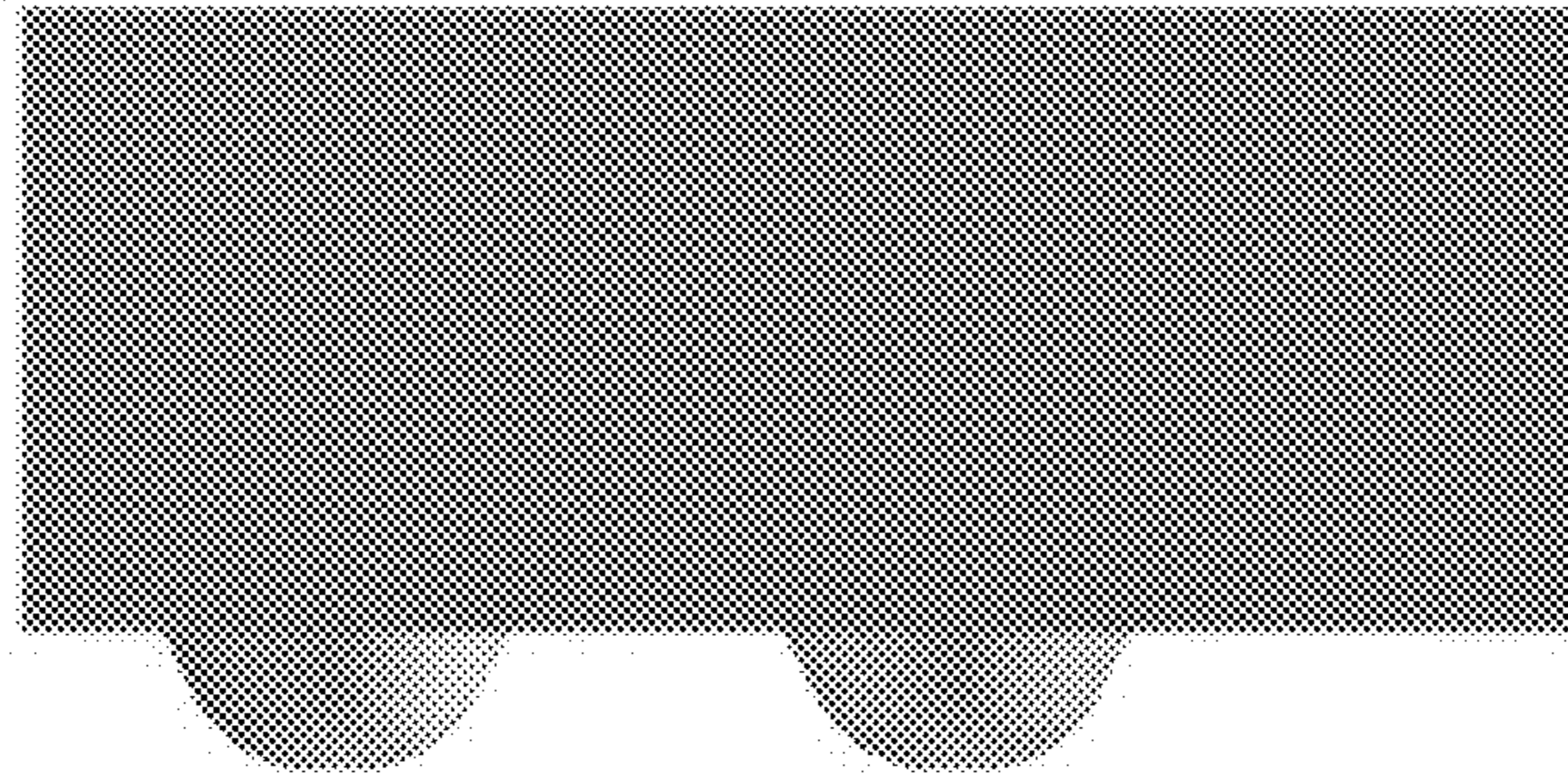


FIG. 7

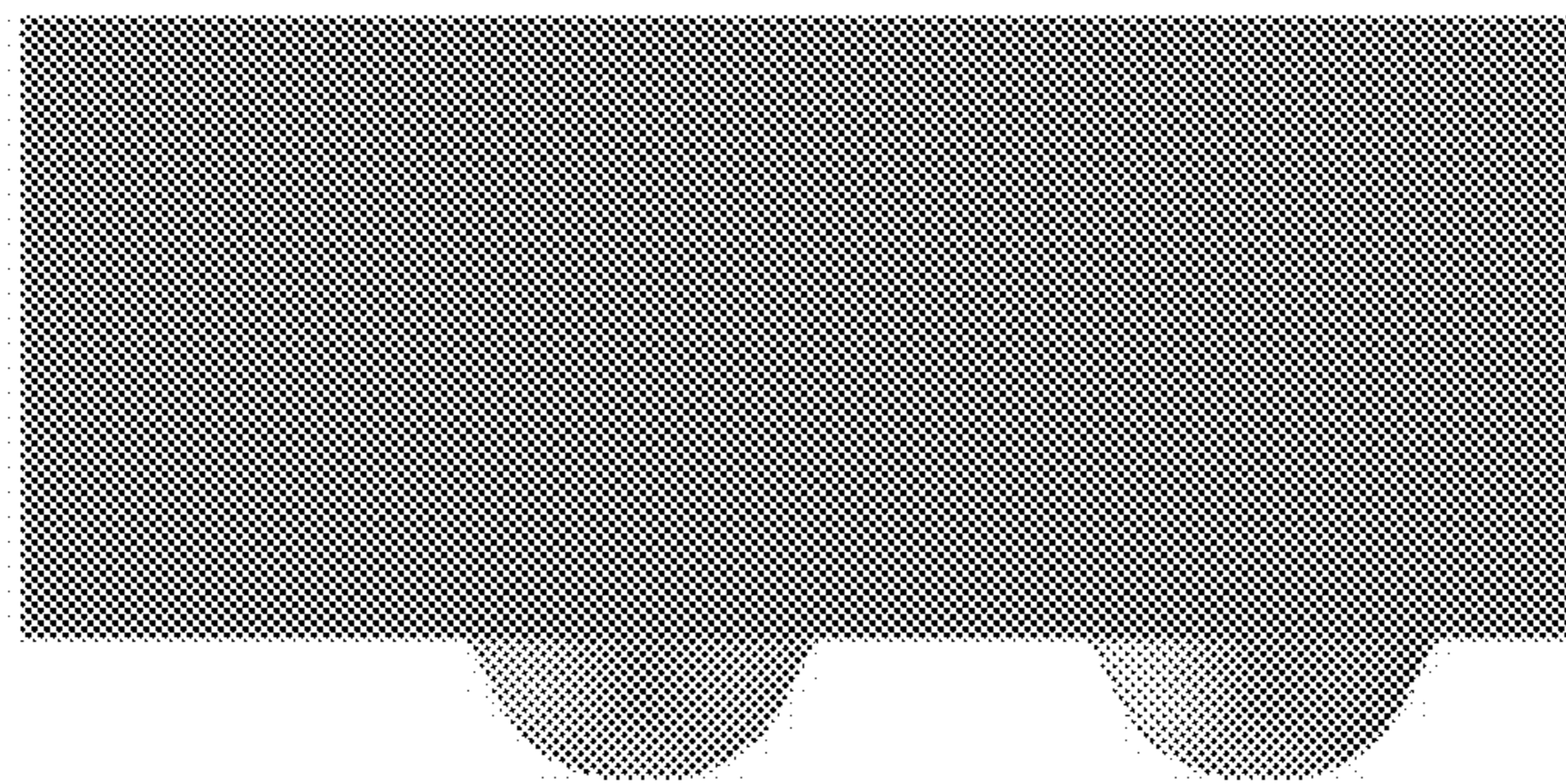


FIG. 8

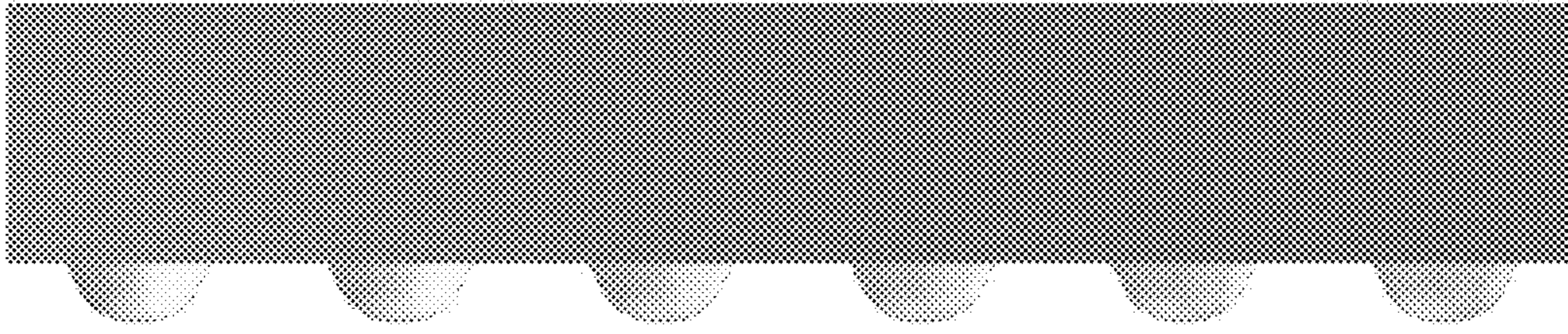


FIG. 9

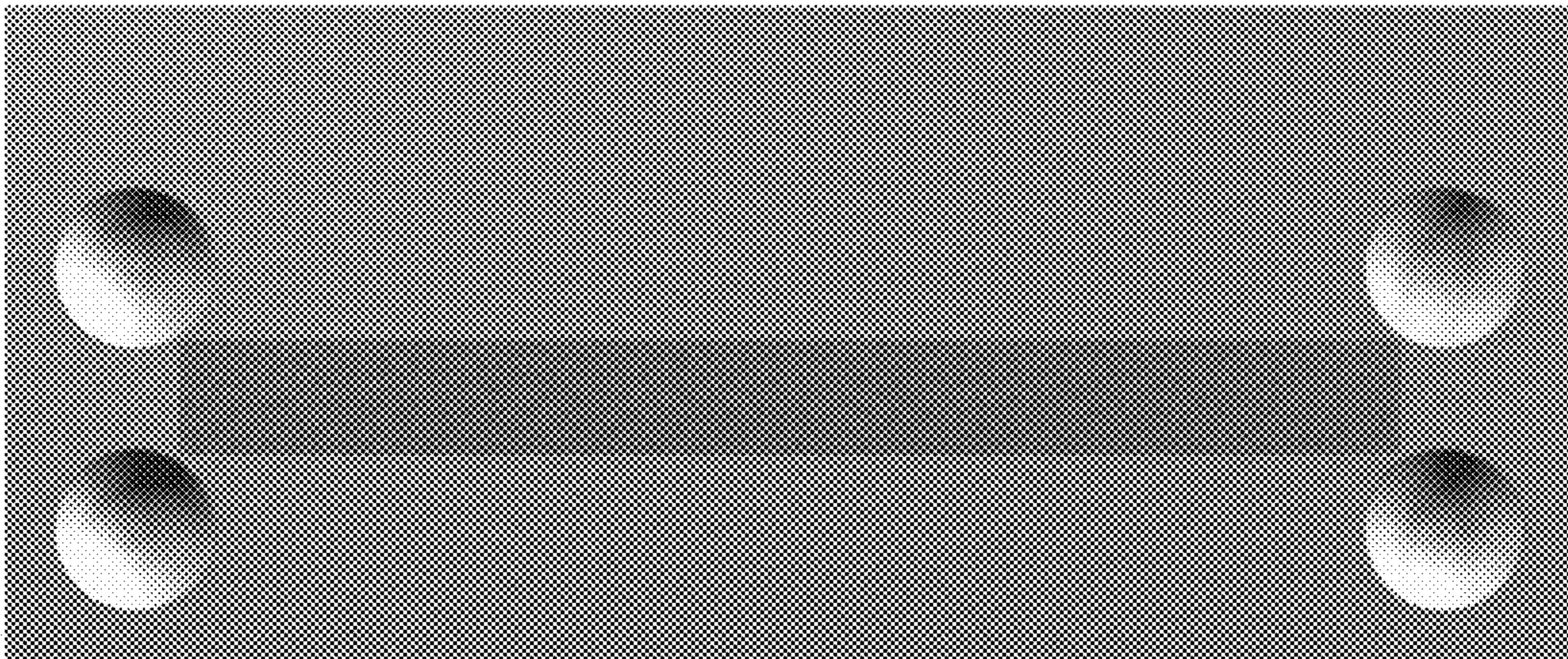


FIG. 10

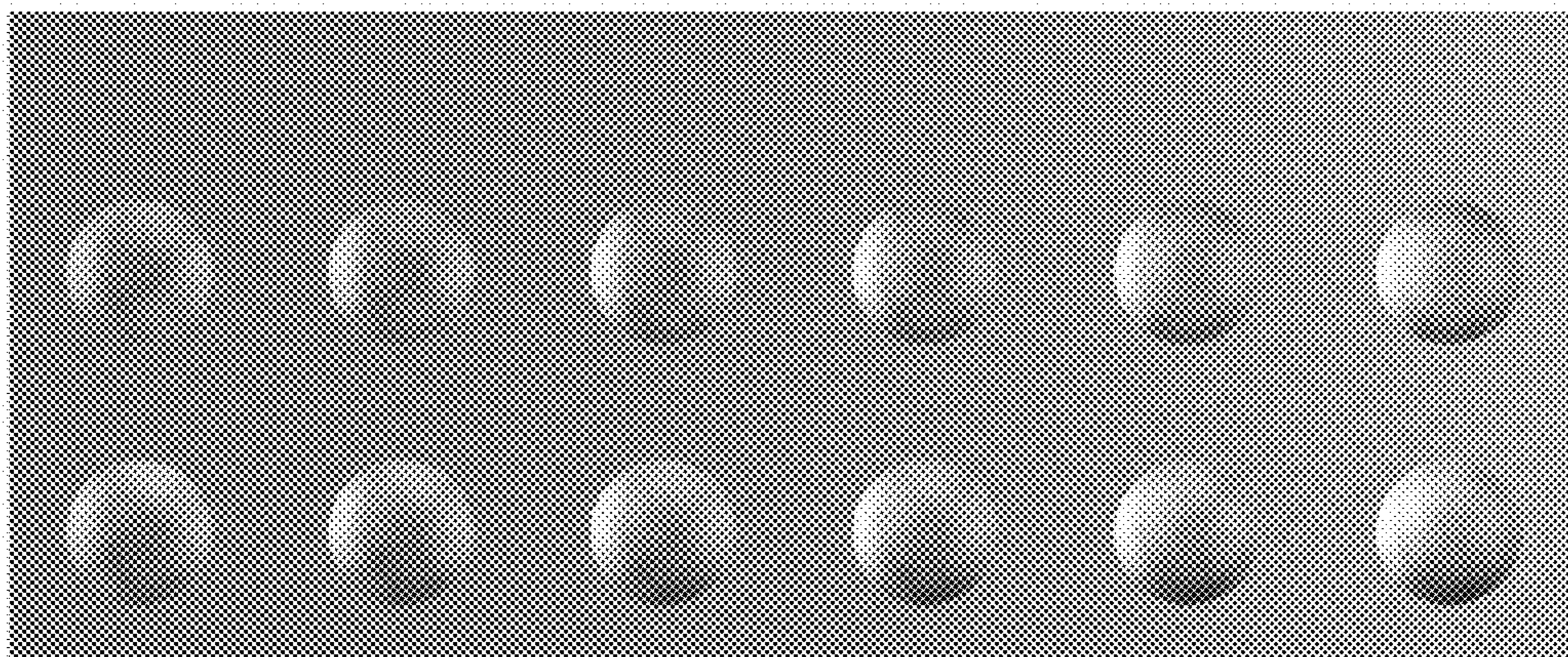


FIG. 11

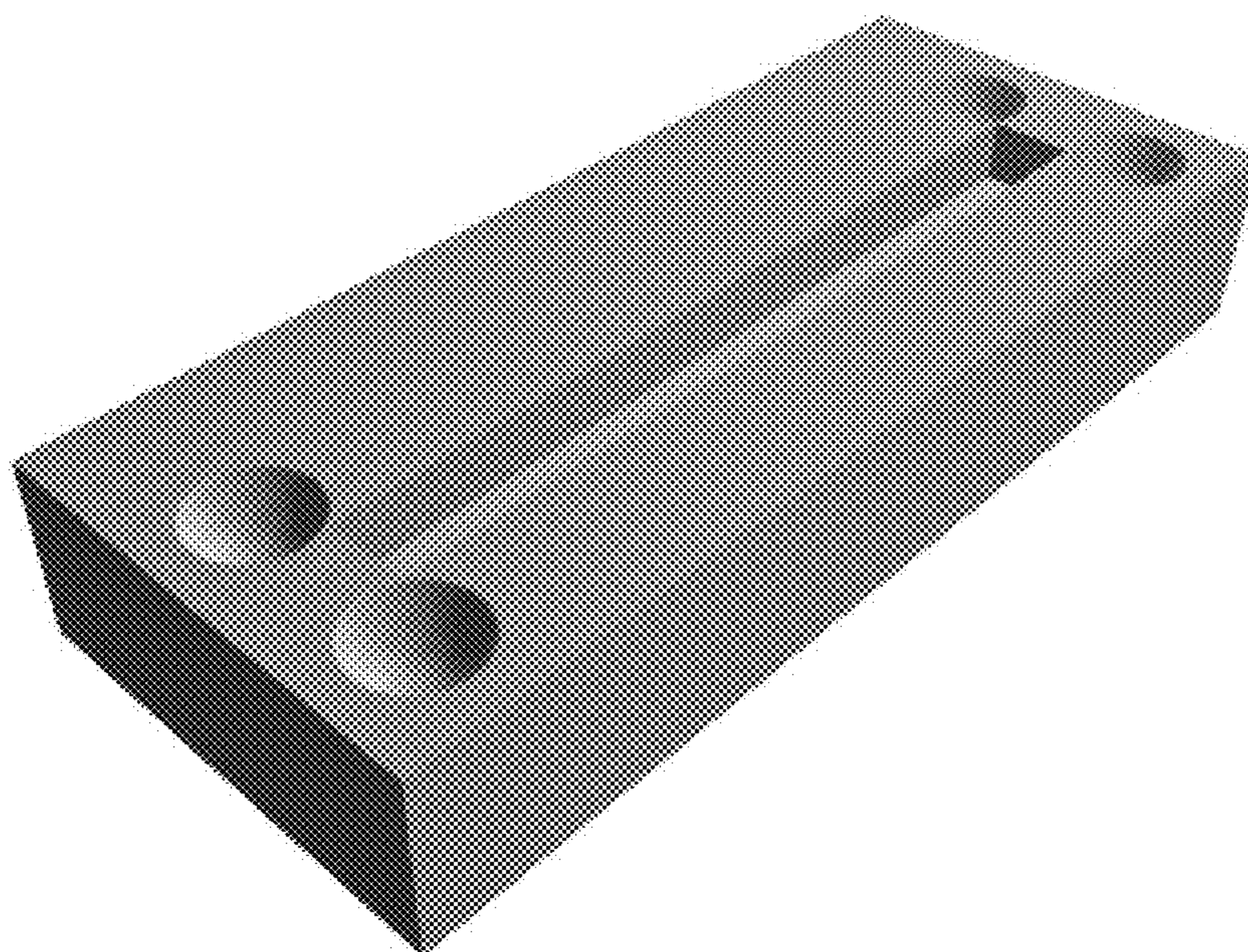


FIG. 12

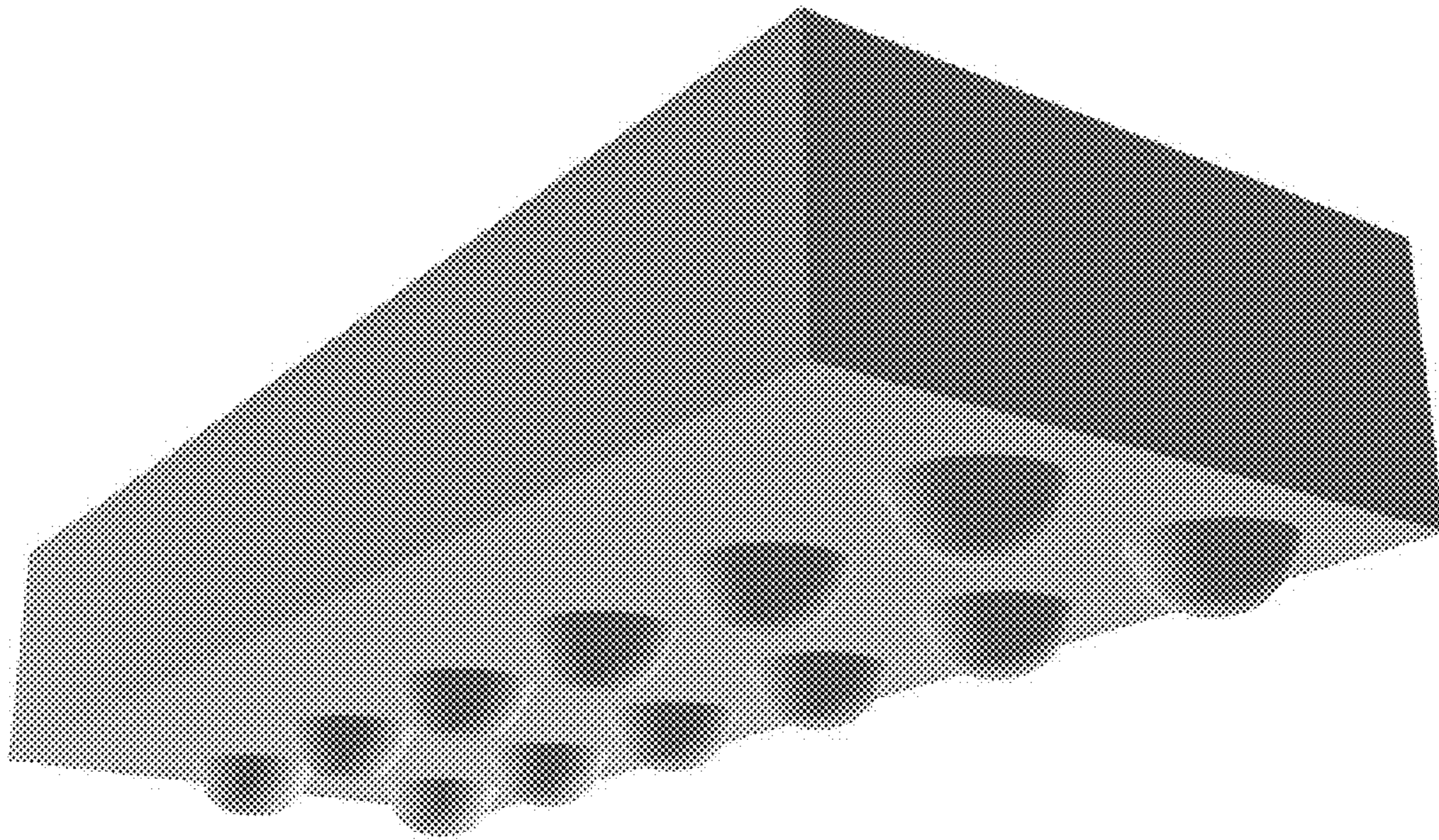


FIG. 13

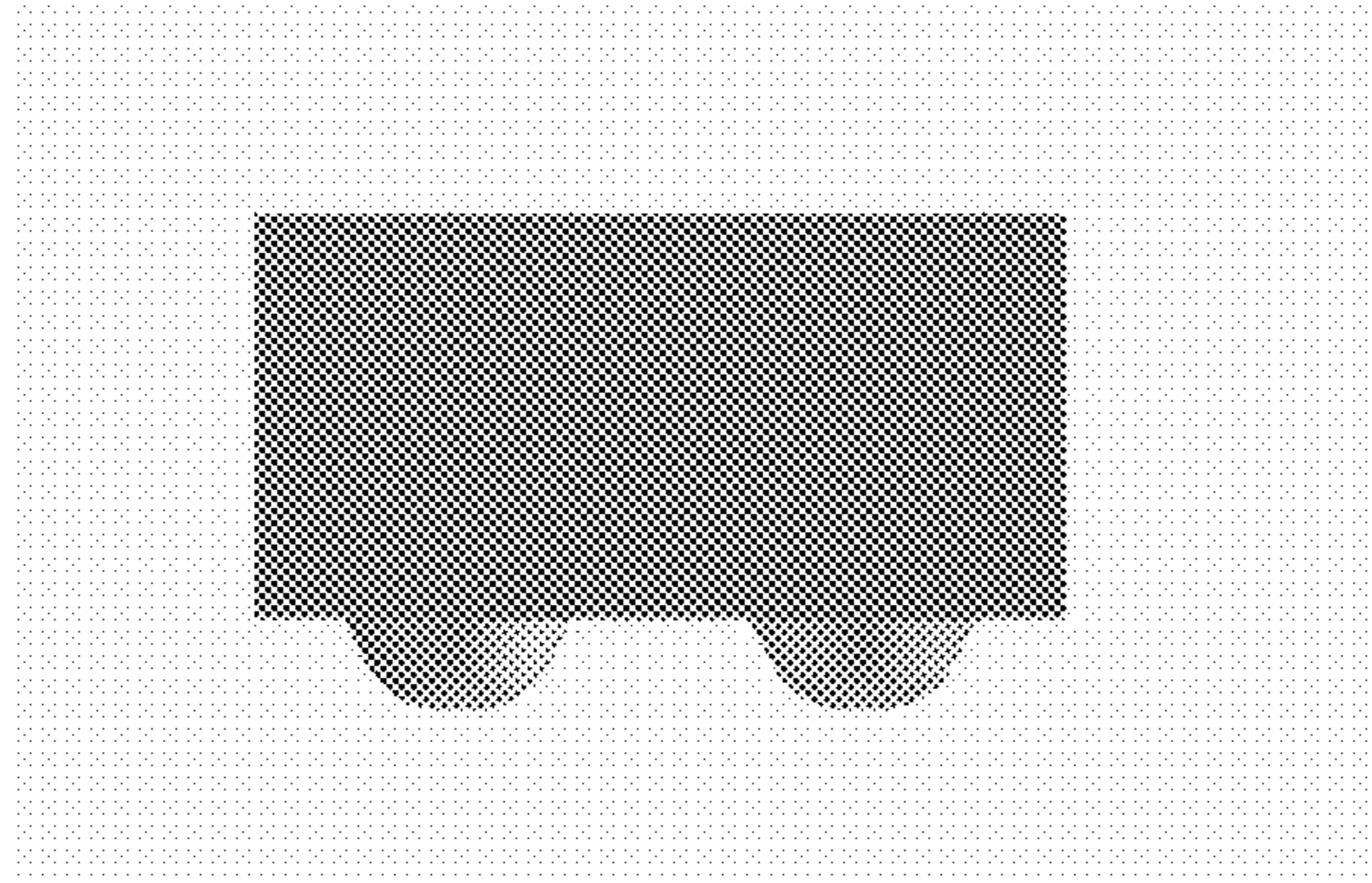


FIG. 14

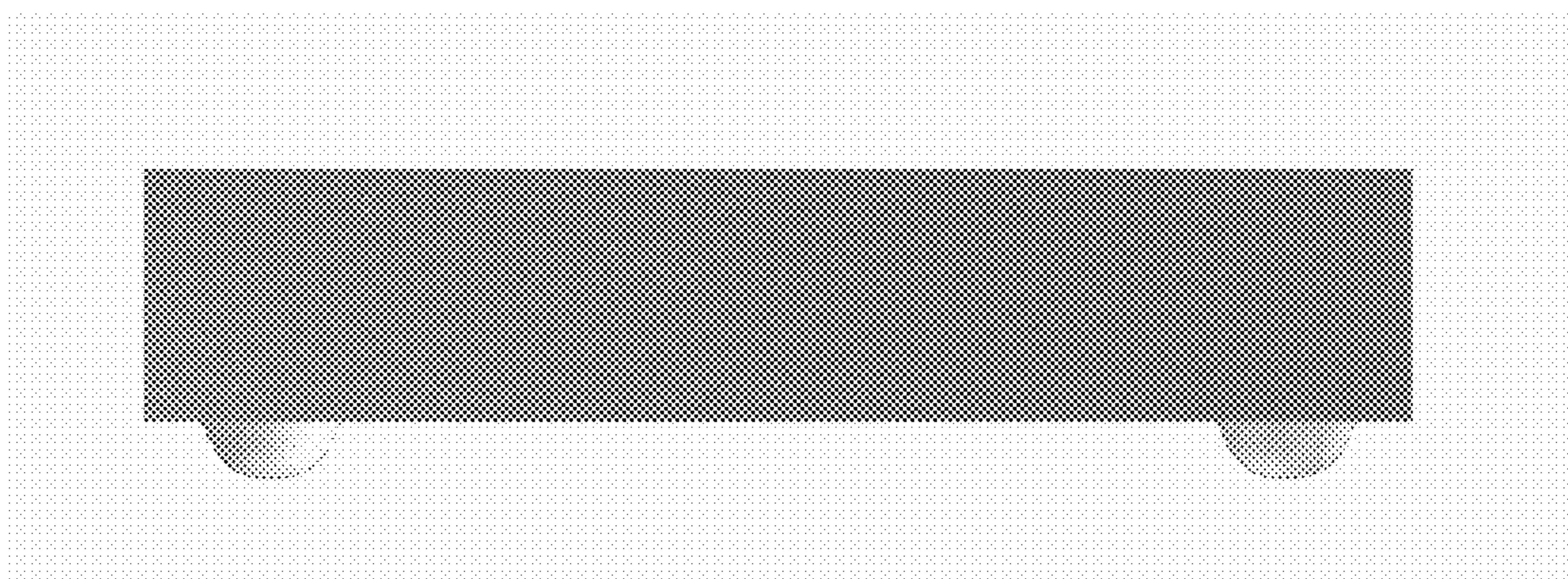


FIG. 15

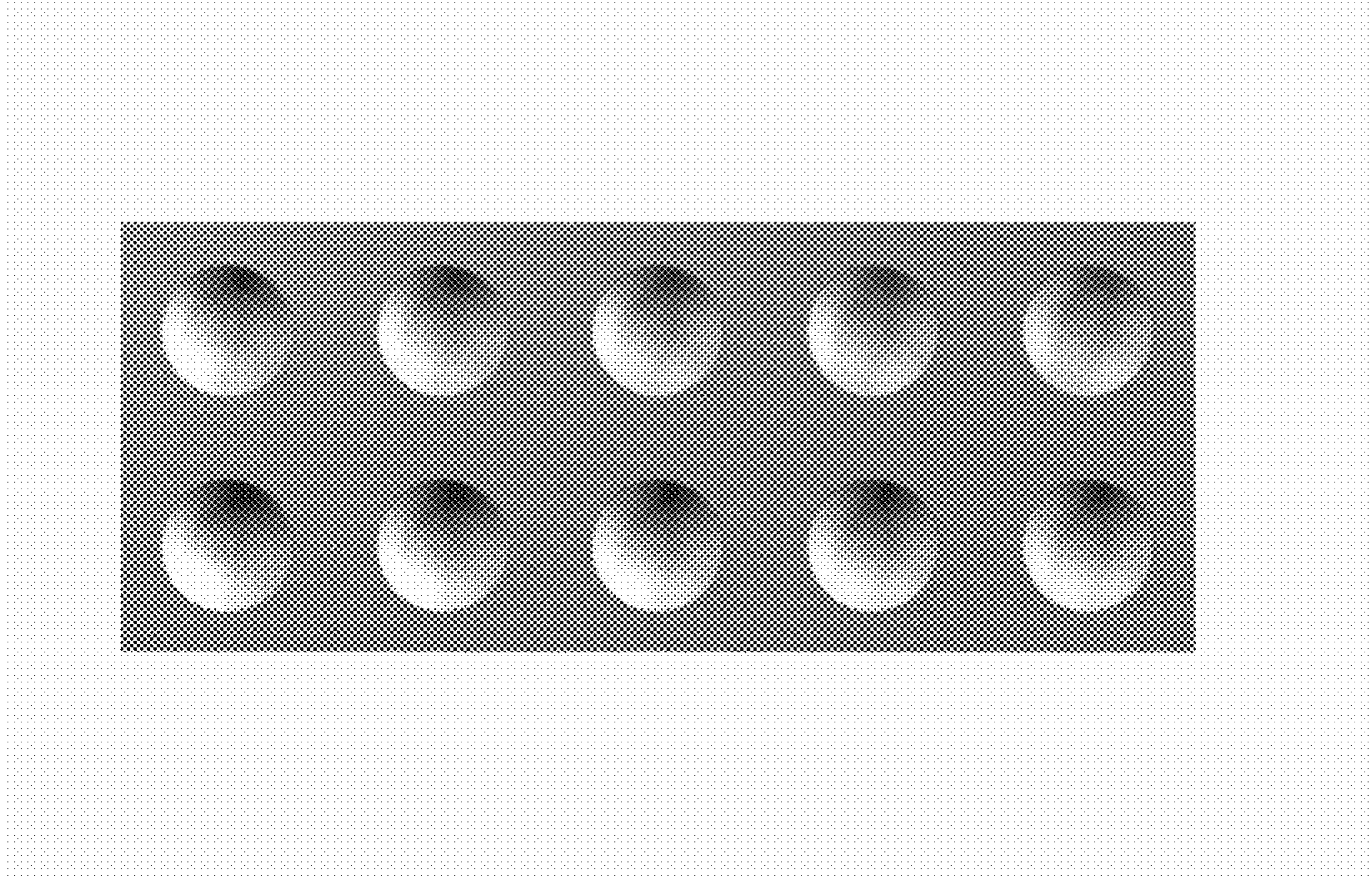


FIG. 16

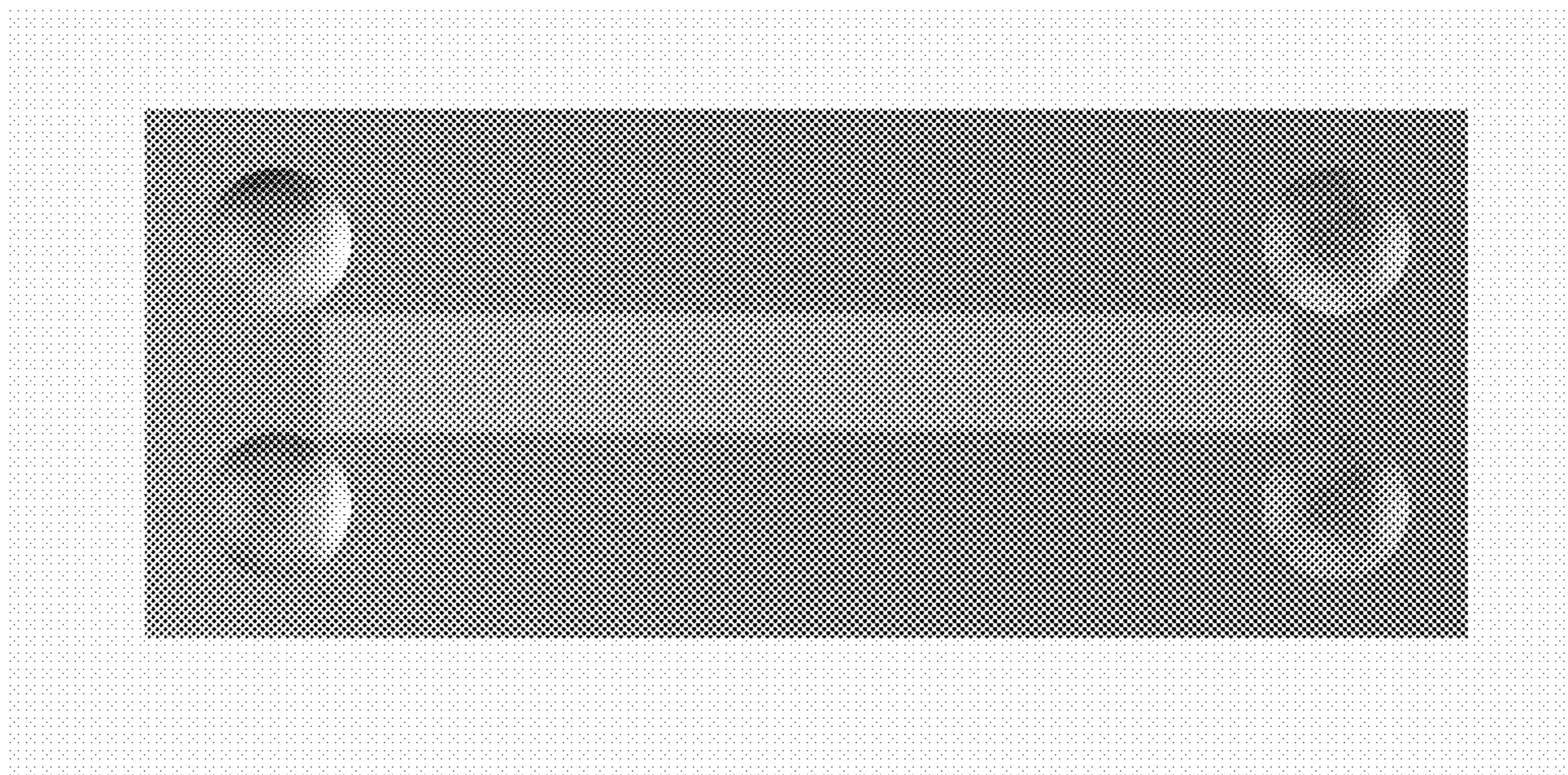


FIG. 17

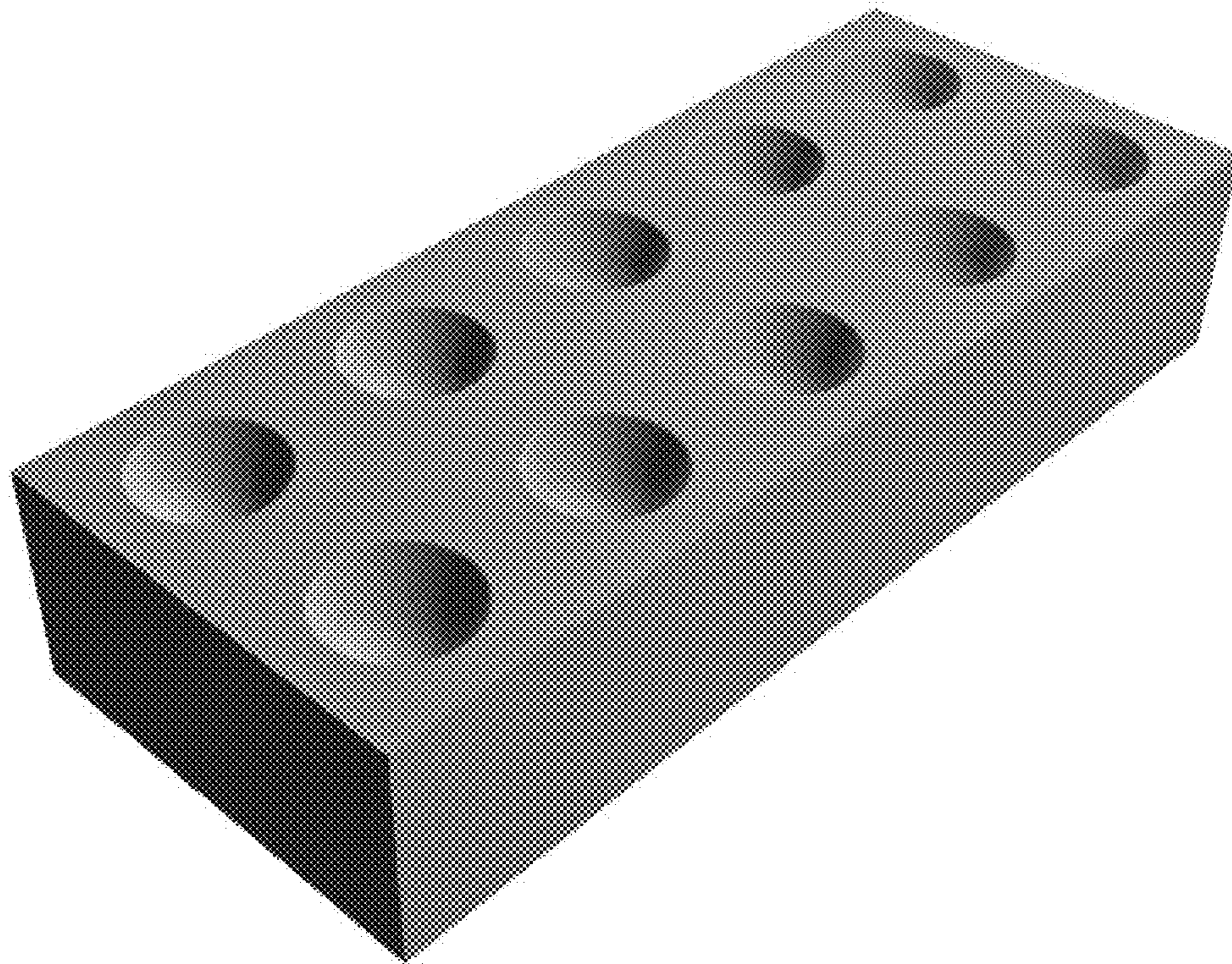


FIG. 18

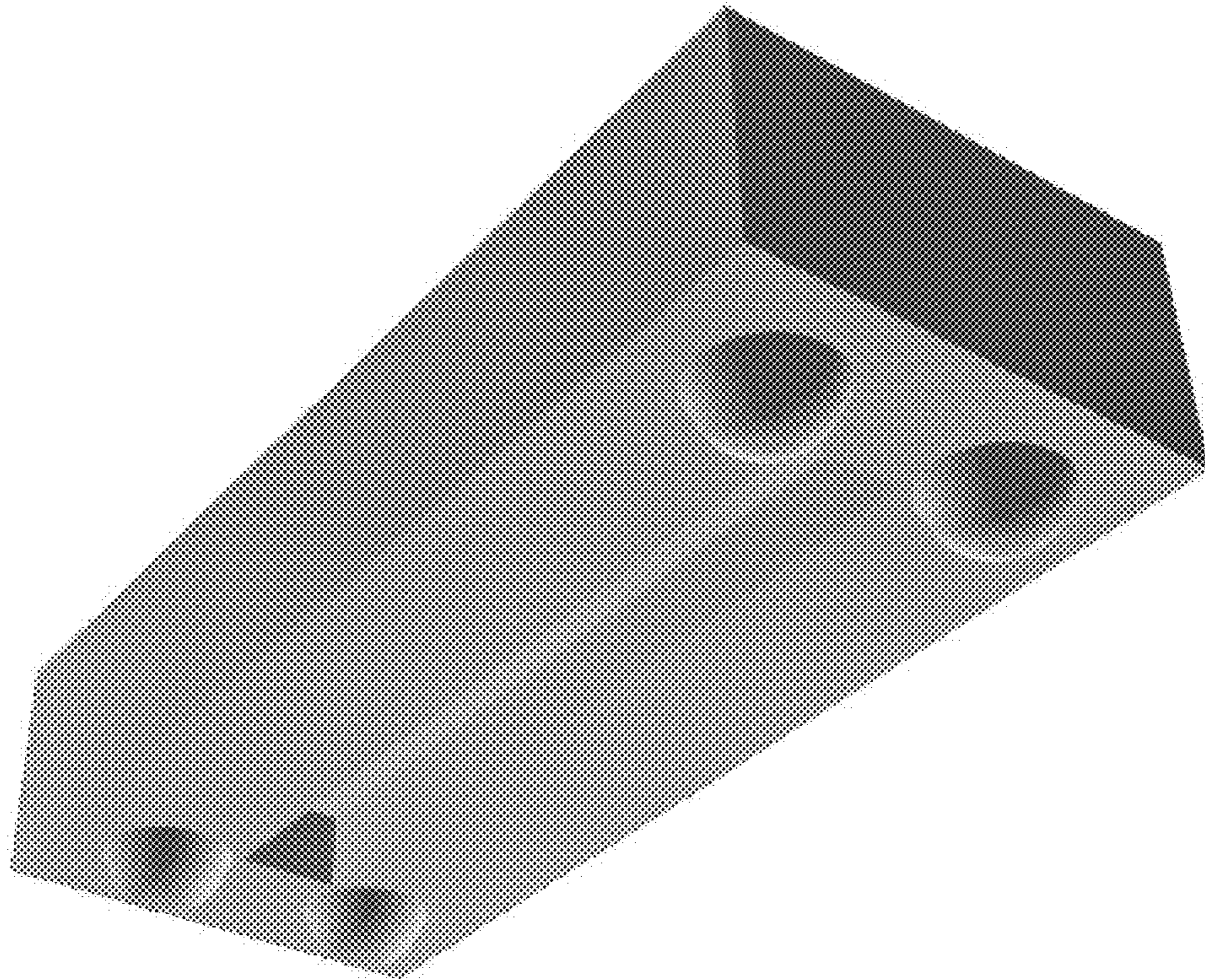


FIG. 19