



US00D609280S

(12) **United States Design Patent**  
**Lessard**

(10) **Patent No.:** **US D609,280 S**

(45) **Date of Patent:** **\*\* Feb. 2, 2010**

(54) **FLYING DISK FOOTBALL GAME**

(75) Inventor: **Joseph Benjamin Lessard**, Blenheim  
(CA)

(73) Assignee: **Tyfun Trading Inc.**, Blenheim, Ontario  
(CA)

(\*\*) Term: **14 Years**

(21) Appl. No.: **29/329,537**

(22) Filed: **Dec. 17, 2008**

(51) **LOC (9) Cl.** ..... **21-01**

(52) **U.S. Cl.** ..... **D21/385; D21/699; 273/317.5**

(58) **Field of Classification Search** ..... D21/334–368,  
D21/385–386, 699, 788; 273/236–288, 317.5,  
273/148 R

See application file for complete search history.

(56) **References Cited**

**U.S. PATENT DOCUMENTS**

4,183,531	A *	1/1980	White	.....	273/247
4,378,944	A	4/1983	Johnston		
4,927,145	A *	5/1990	Davis	.....	273/317.5
D347,033	S *	5/1994	Moretz	.....	D21/699
5,494,284	A *	2/1996	Wray, Jr.	.....	273/247
D410,713	S *	6/1999	Sherwood et al.	.....	D21/699
6,070,879	A *	6/2000	Kemp	.....	273/317.5
6,102,203	A *	8/2000	Marro	.....	206/362.1
6,439,575	B1 *	8/2002	Castellanos	.....	273/317.5

7,090,596	B2	8/2006	David		
D529,968	S *	10/2006	Frankel	.....	D21/699
D576,685	S *	9/2008	Queally	.....	D21/302
2008/0132361	A1	6/2008	Barber		
2008/0224409	A1	9/2008	Marshall et al.		

\* cited by examiner

*Primary Examiner*—Sandra Morris

(74) *Attorney, Agent, or Firm*—Miller, Canfield, Paddock and Stone

(57) **CLAIM**

The ornamental design for a flying disk football game, as shown.

**DESCRIPTION**

FIG. 1 is a perspective view of a flying disk football game.

FIG. 2 is a right side view of the flying disk football game of FIG. 1.

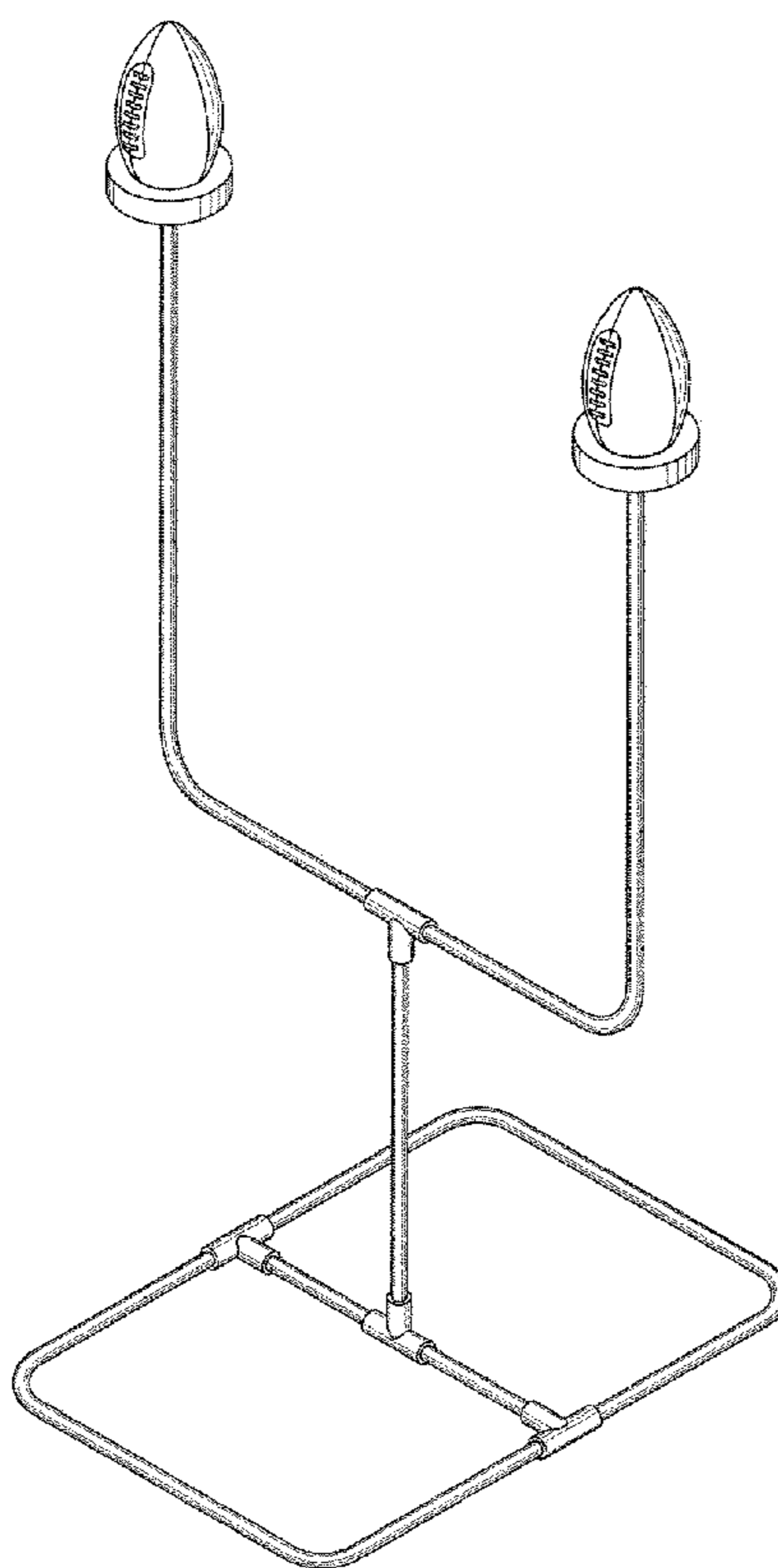
FIG. 3 is a right side view of the flying disk football game of FIG. 1.

FIG. 4 is a front side view of the flying disk football game of FIG. 1.

FIG. 5 is a rear side view of the flying disk football game of FIG. 1; and,

FIG. 6 is a bottom side view of the flying disk football game of FIG. 1.

**1 Claim, 6 Drawing Sheets**



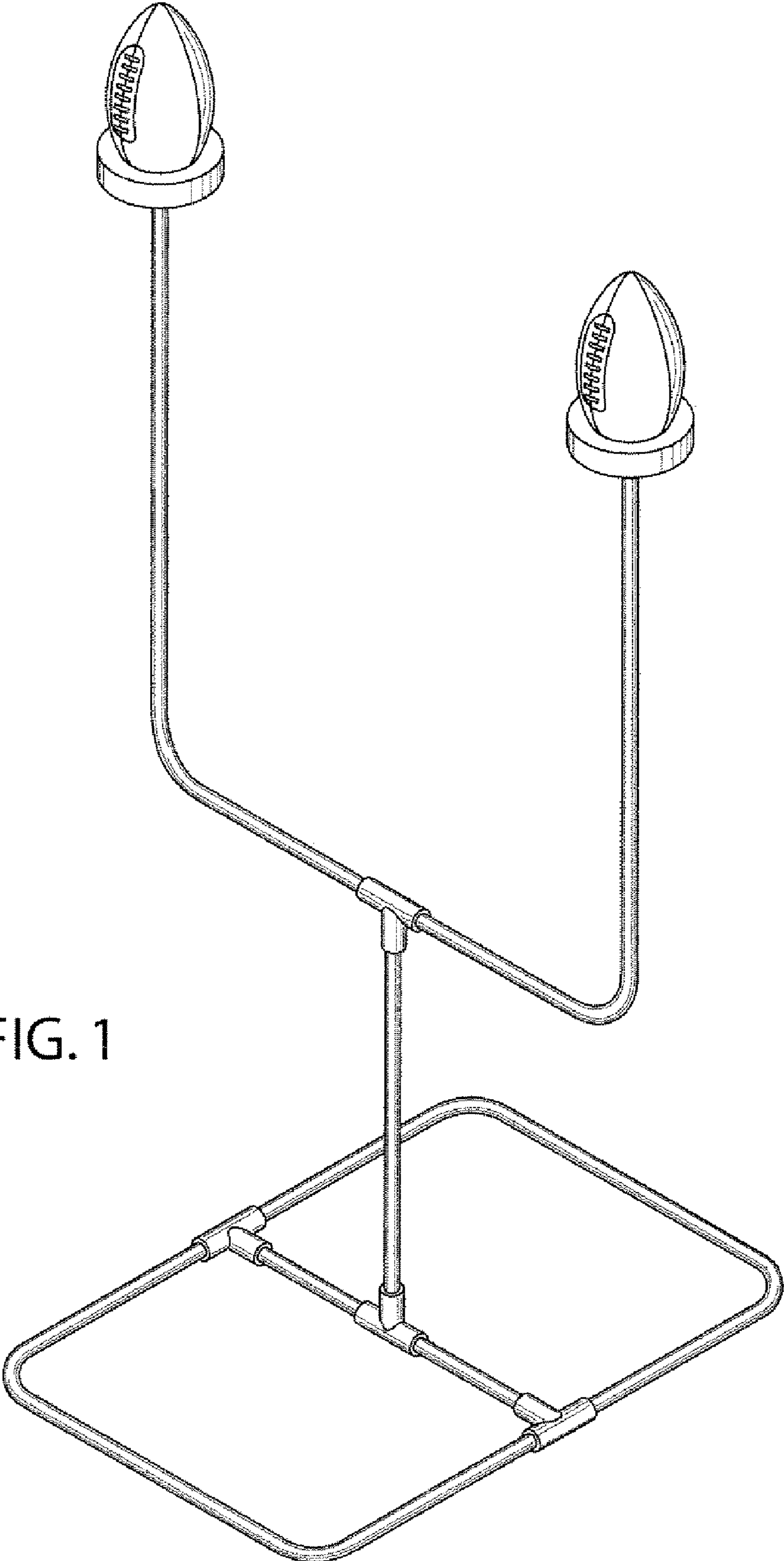


FIG. 1

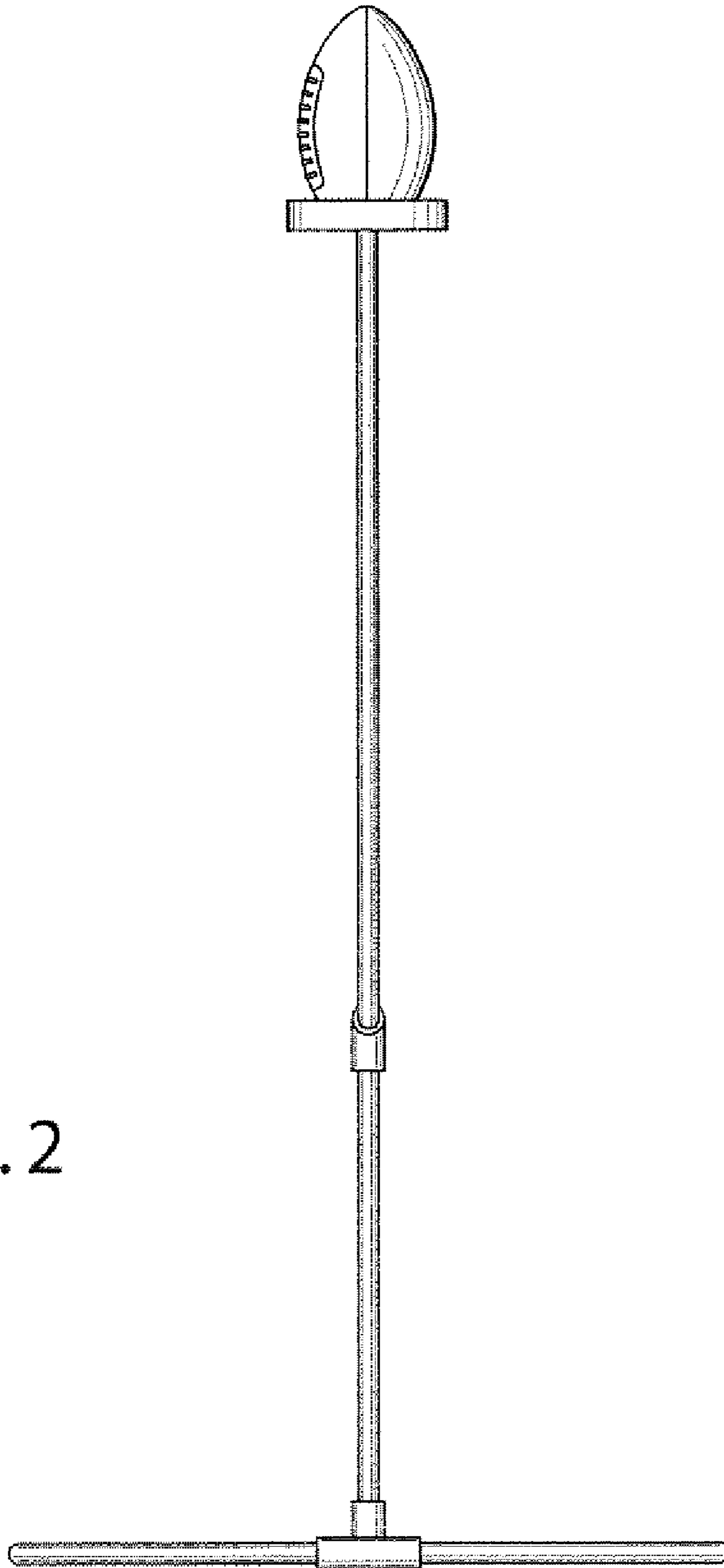


FIG. 2

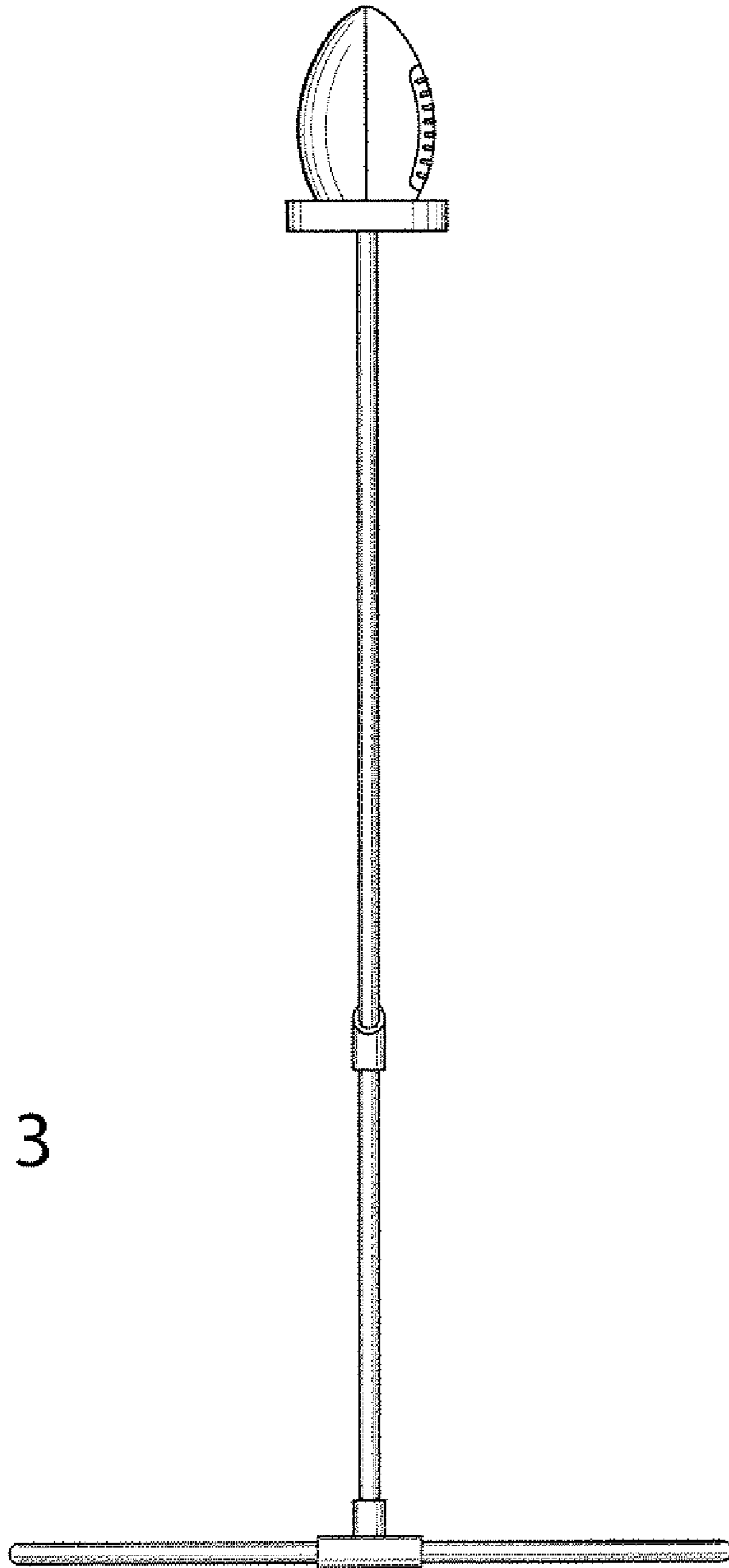


FIG. 3

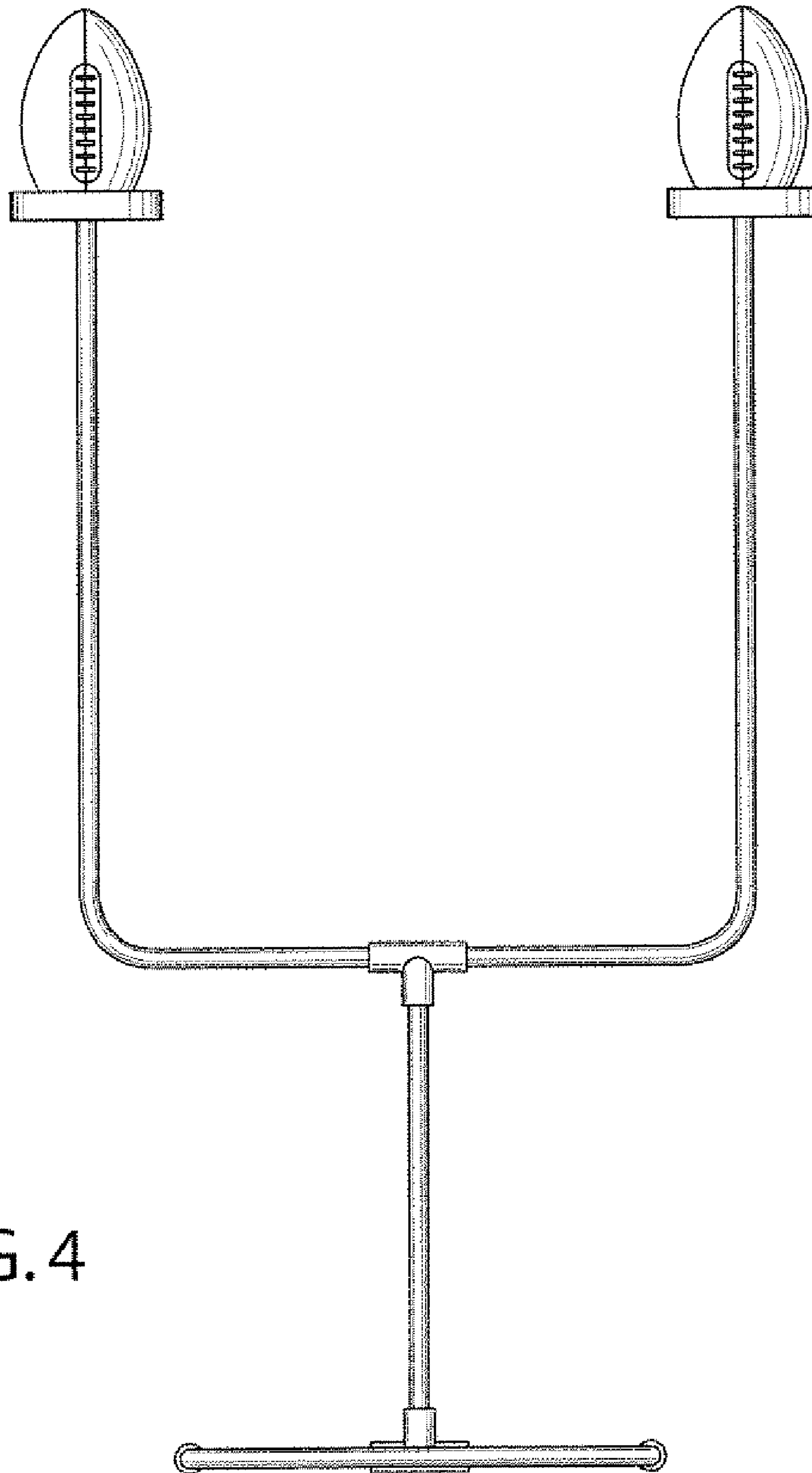


FIG. 4

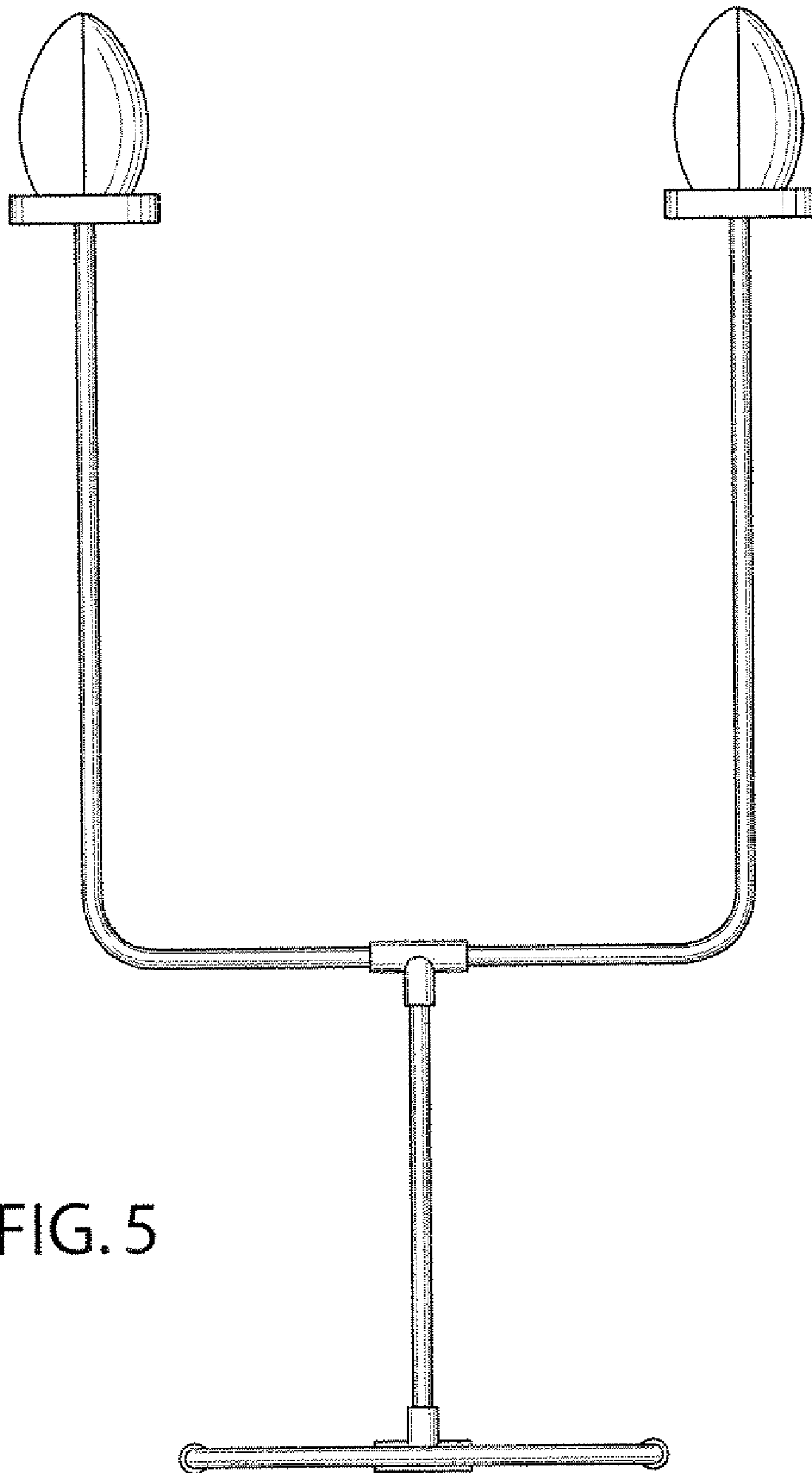


FIG. 5

FIG. 6

