



US00D609276S

(12) **United States Design Patent**
Axel et al.

(10) **Patent No.:** **US D609,276 S**

(45) **Date of Patent:** **** Feb. 2, 2010**

(54) **NOTE HOLDER**

(76) Inventors: **Ray Axel**, 433 Jan Dr., Manteno, IL (US) 60950; **Victor Fuentes**, 1342 S. Centinela Ave., Los Angeles, CA (US) 90025; **Marcus Bosch**, 6621 S. University Ave., Chicago, IL (US) 60637

(**) Term: **14 Years**

(21) Appl. No.: **29/327,416**

(22) Filed: **Nov. 5, 2008**

(51) **LOC (9) Cl.** **19-02**

(52) **U.S. Cl.** **D19/86**

(58) **Field of Classification Search** D3/201, D3/203.2, 215, 273, 294, 298, 314; D6/634; D19/75, 77-78, 90-92; 206/37, 215, 425, 206/449, 555, 575; 211/45, 50

See application file for complete search history.

(56) **References Cited**

U.S. PATENT DOCUMENTS

D352,525 S *	11/1994	Coe	D19/76
D448,564 S *	10/2001	Snider	D3/282
D508,797 S *	8/2005	Craig	D6/449
7,035,100 B2 *	4/2006	Lord	361/679.41
7,090,074 B2 *	8/2006	Isaacs	206/214
D543,357 S *	5/2007	Corcoran	D3/276
D551,847 S *	10/2007	Yeap et al.	D3/201
D555,900 S *	11/2007	Pippin	D3/265
D576,790 S *	9/2008	Swan	D3/218
2003/0001064 A1 *	1/2003	Book	248/460
2005/0279756 A1 *	12/2005	Bitowft et al.	221/45

* cited by examiner

Primary Examiner—Elizabeth A Albert

(74) *Attorney, Agent, or Firm*—Leydig, Voit & Mayer, Ltd.

(57) **CLAIM**

An ornamental design for a note holder, as shown and described.

DESCRIPTION

FIG. 1 is a perspective view of the note holder in an open position illustrating the top, side and end surfaces.

FIG. 2 is a perspective view of the note holder in an open position illustrating the bottom, side, end and top surfaces.

FIG. 3 is a view illustrating the side surfaces of the note holder in an open position.

FIG. 4 is a view illustrating the top surface of the note holder in an open position.

FIG. 5 is a view illustrating the bottom surface of the note holder in an open position.

FIG. 6 is a perspective view of the note holder in a closed position illustrating the top and side surfaces.

FIG. 7 is a perspective view of the note holder in a closed position illustrating the bottom and side surfaces; and,

FIG. 8 is a side view of the note holder in a closed position illustrating the side surface.

The broken lines showing portions of the note holder in FIGS. 1 to 8 are included for the purpose of illustrating environment and form no part of the claimed design and the long and short broken lines appearing in those figures which define the bounds of the claimed design form no part thereof.

1 Claim, 8 Drawing Sheets

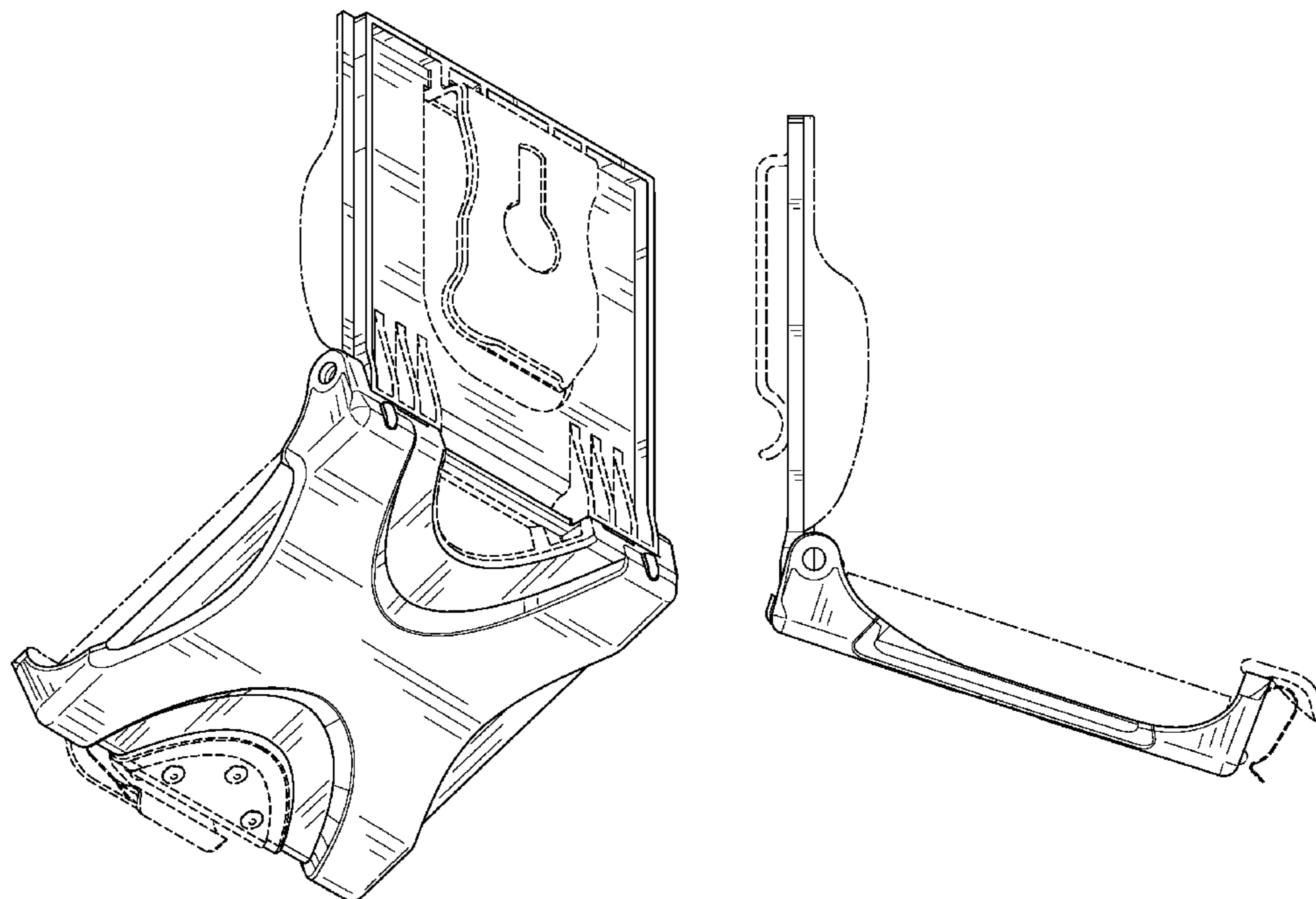


FIG. 1

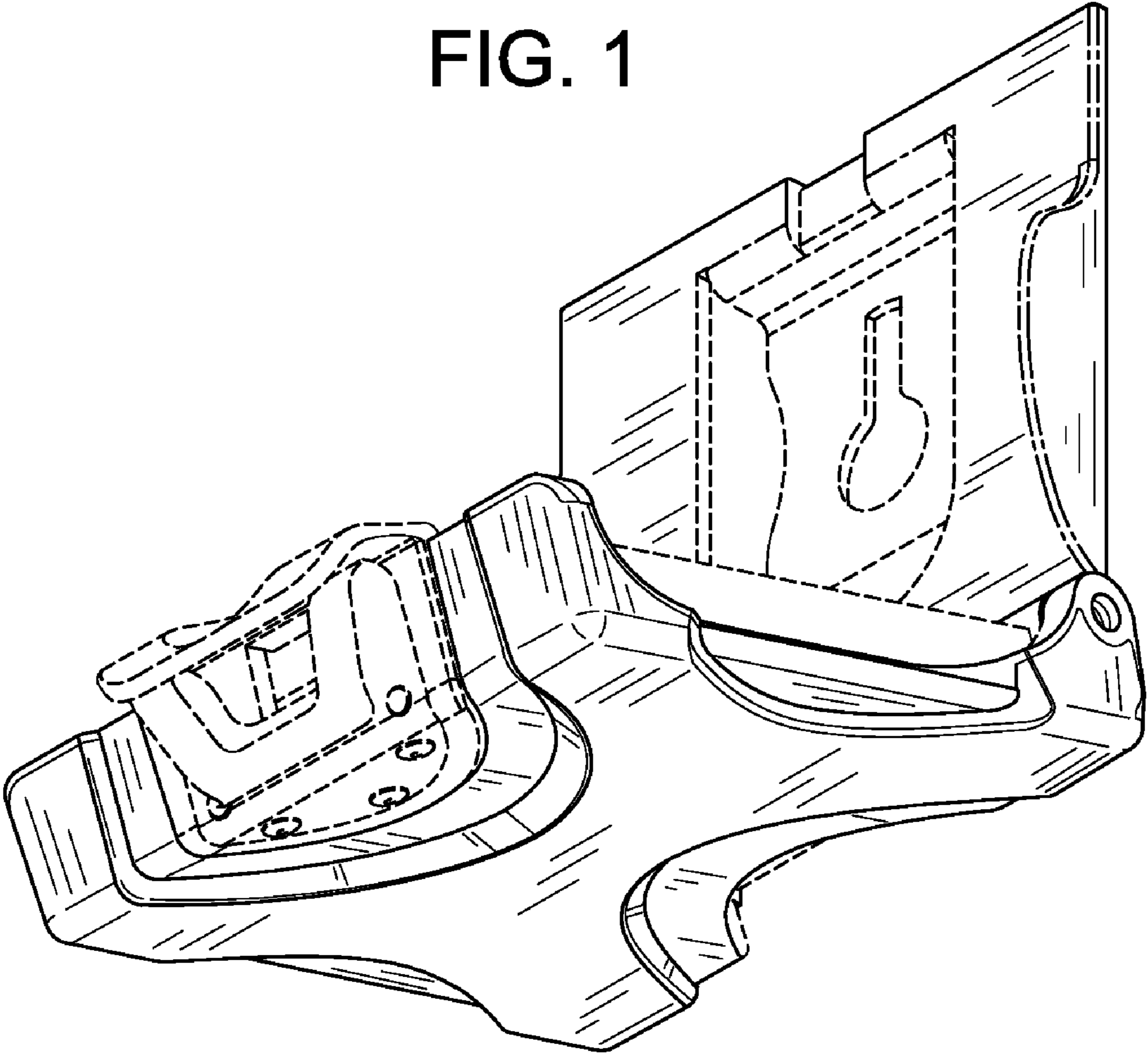


FIG. 2

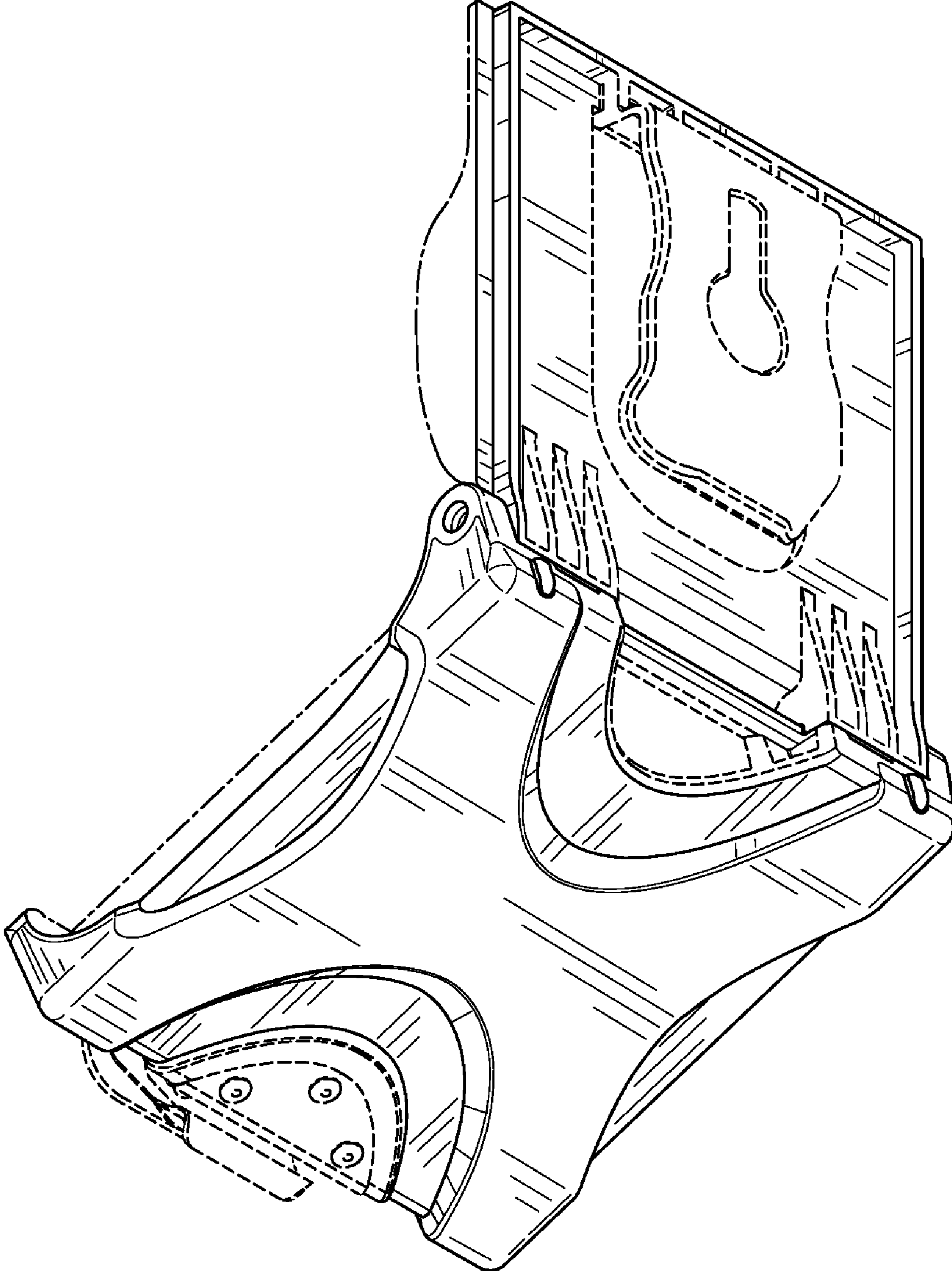


FIG. 3

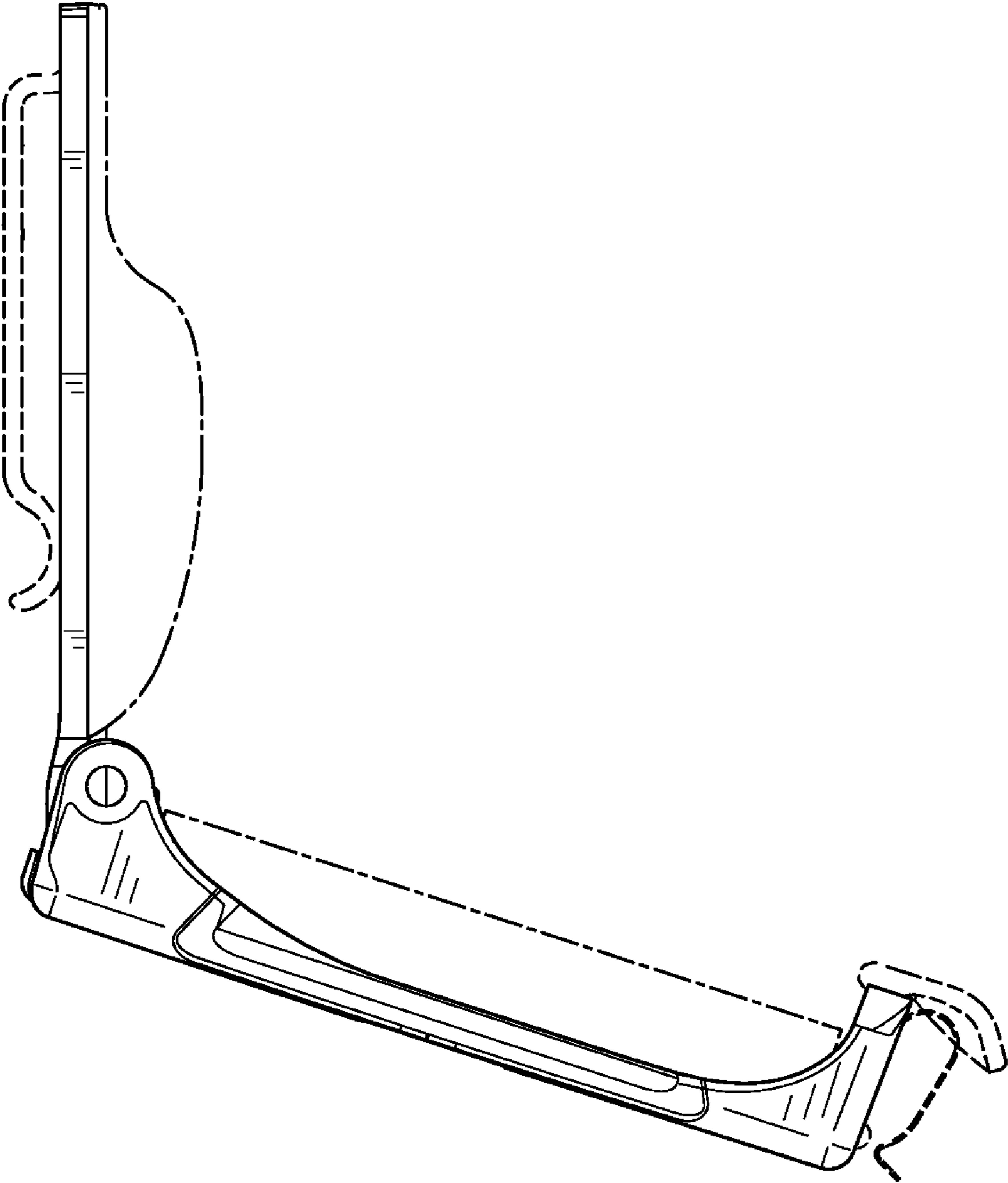


FIG. 4

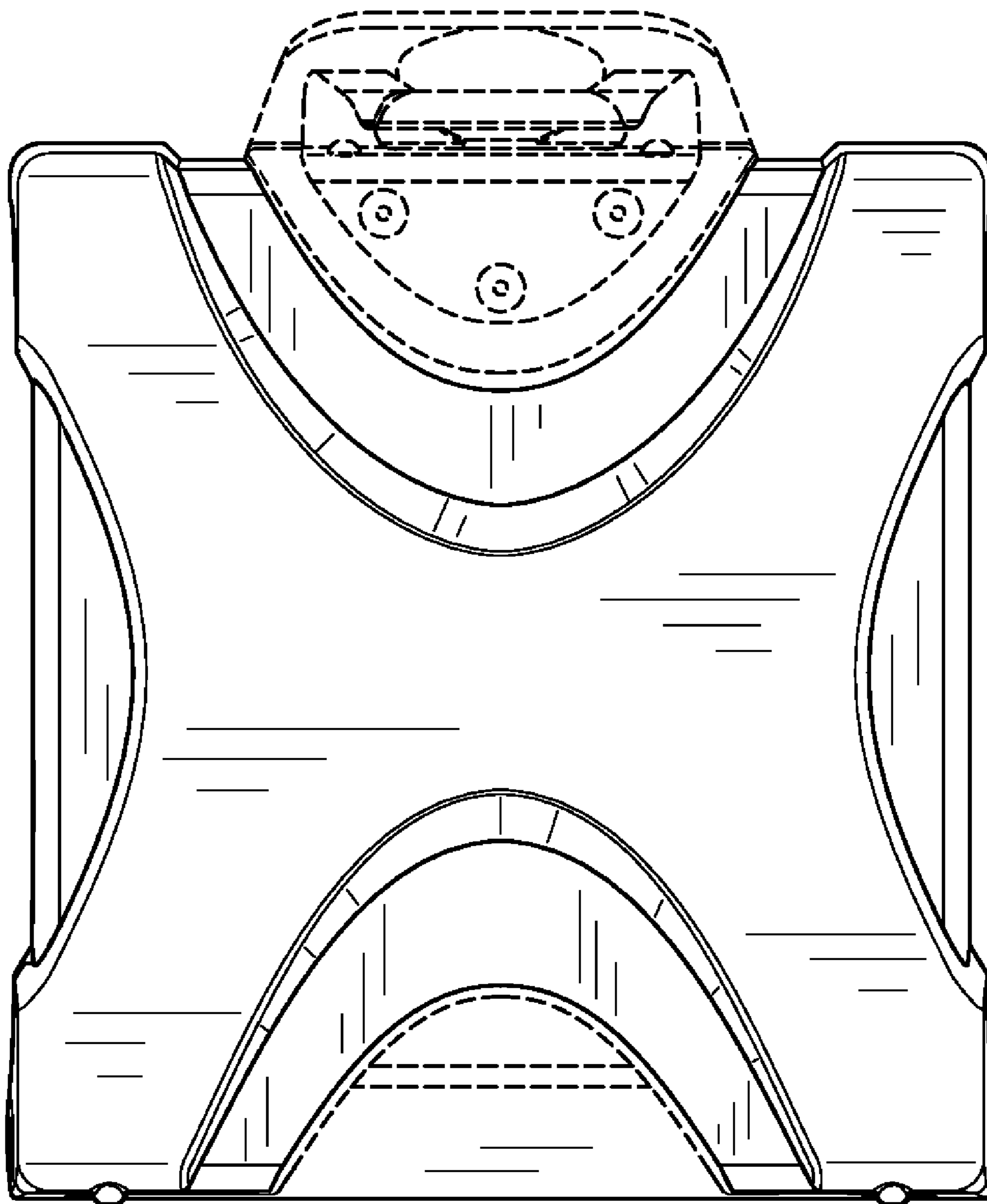


FIG. 5

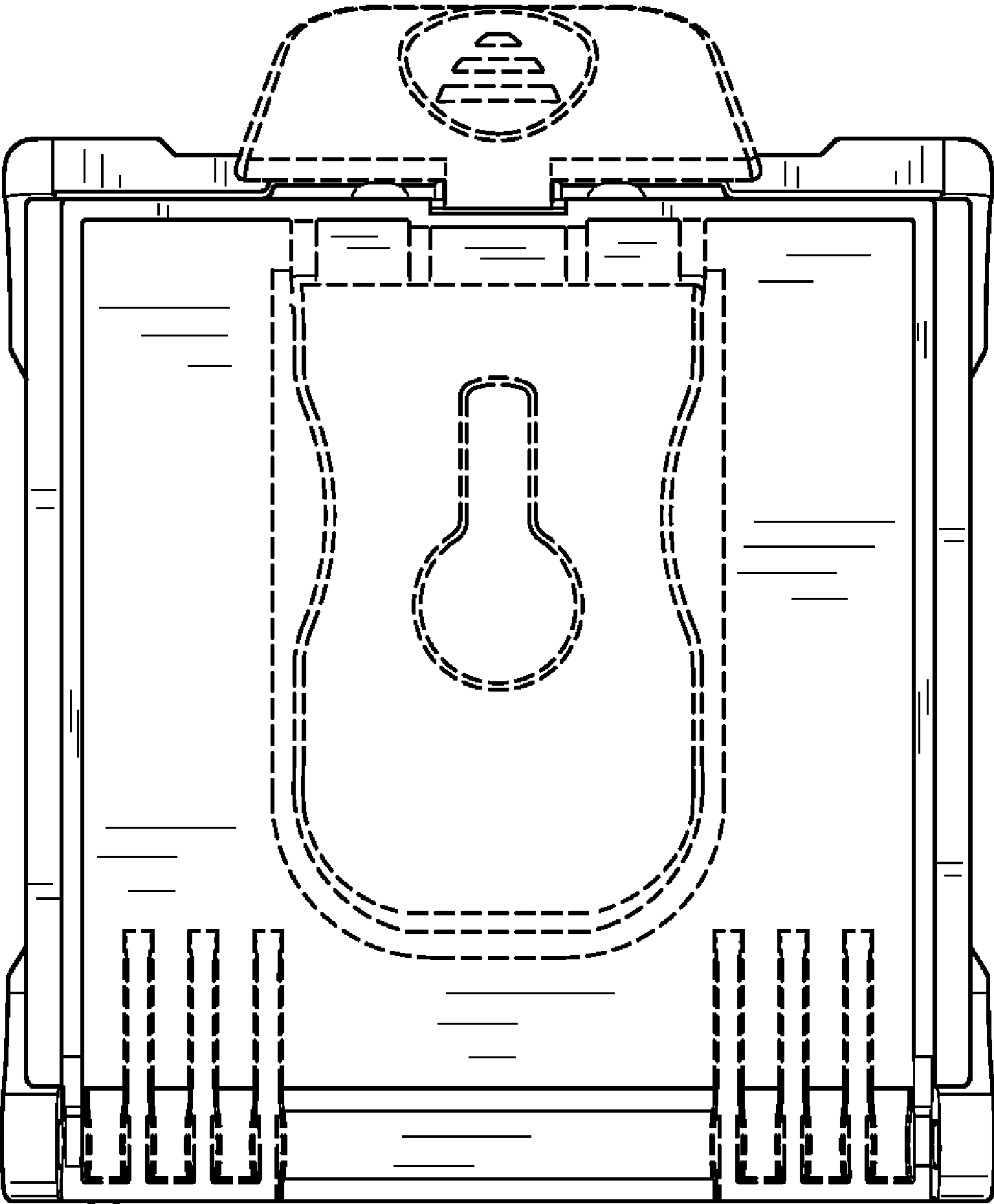


FIG. 6

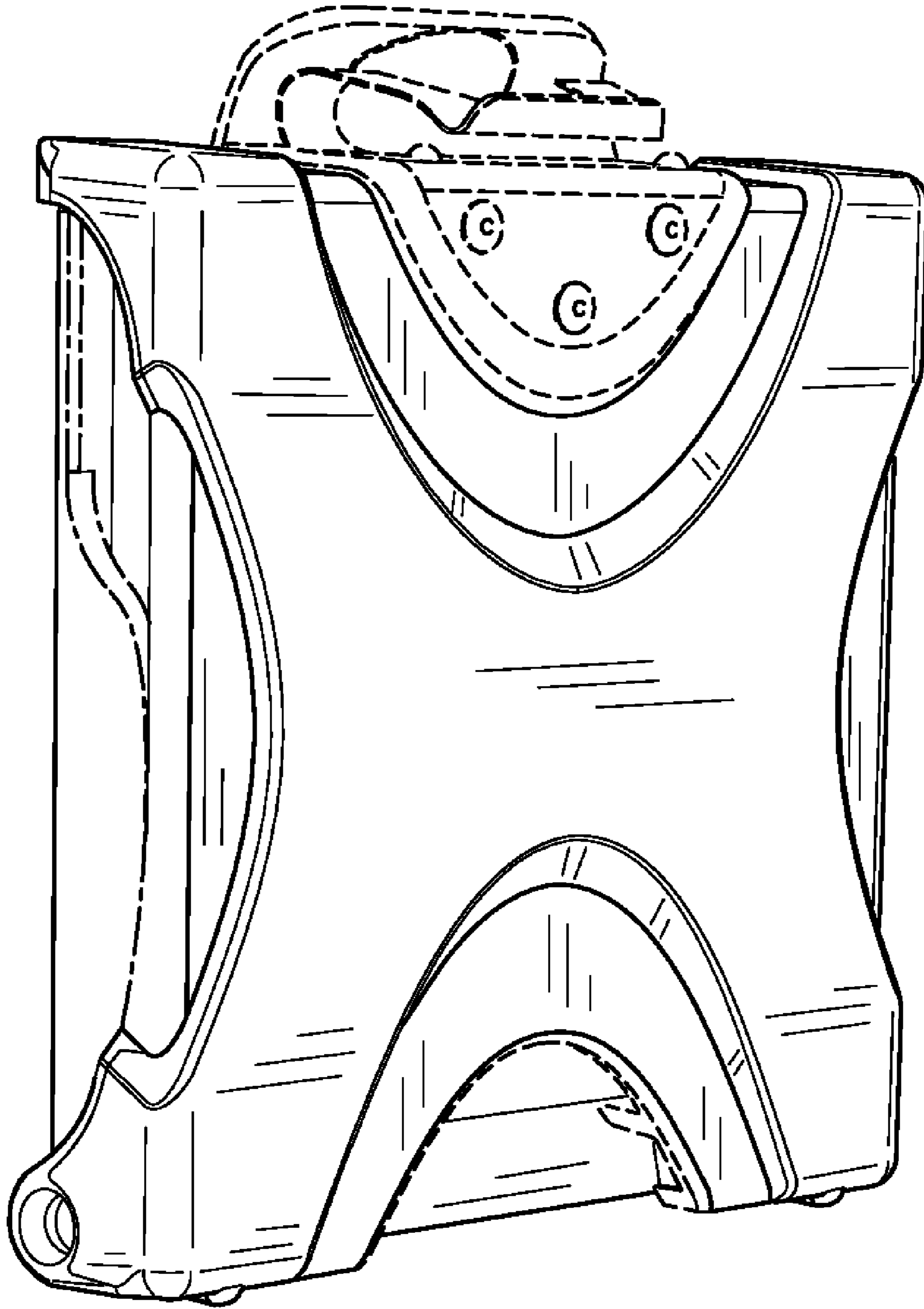


FIG. 7

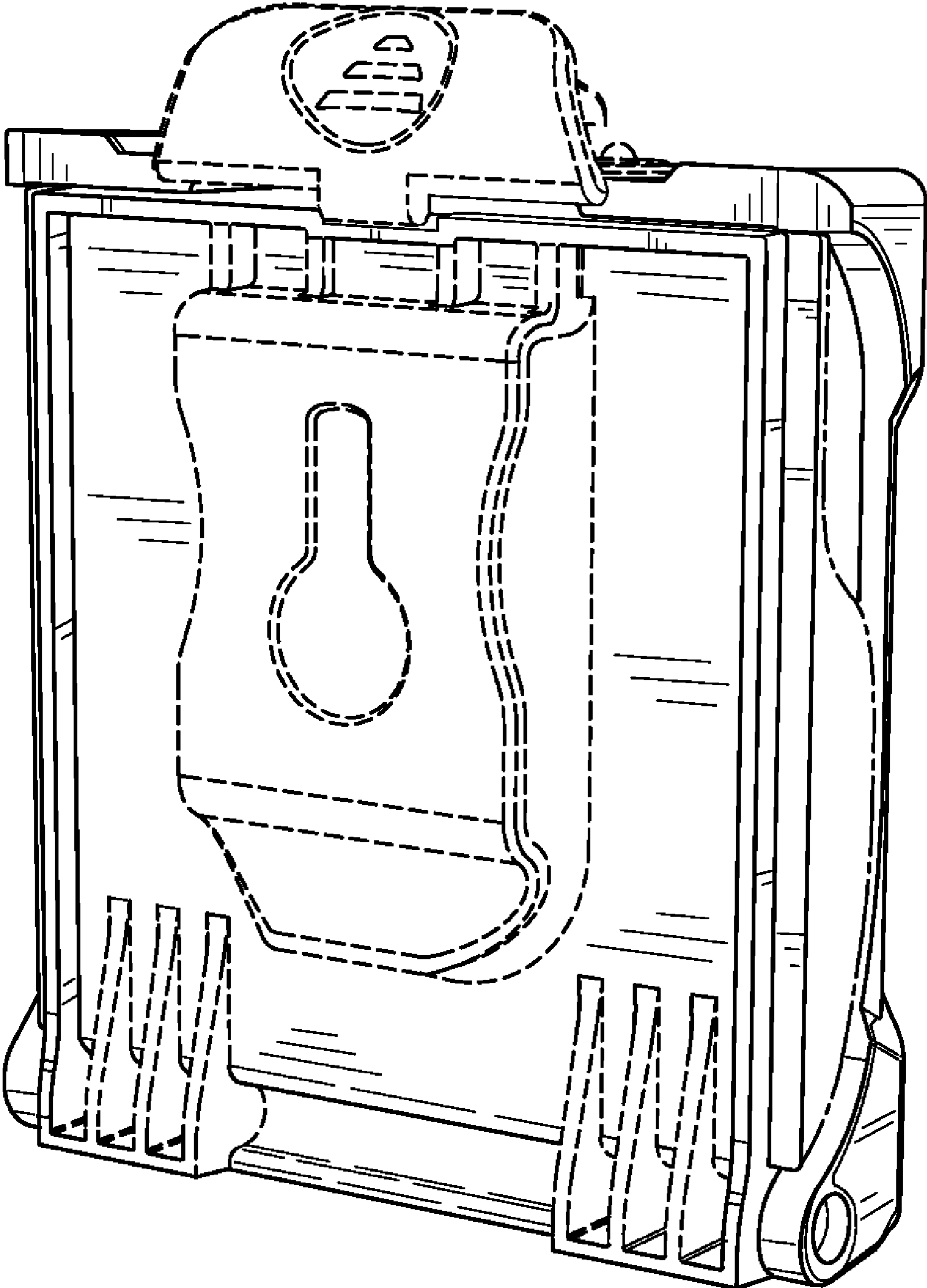


FIG. 8

