



US00D609275S

(12) **United States Design Patent**
Lam

(10) **Patent No.:** **US D609,275 S**

(45) **Date of Patent:** **** Feb. 2, 2010**

(54) **HOLDER FOR STATIONERY**

(75) Inventor: **Wai Lung Lam**, New Territories (HK)

(73) Assignee: **East Channel Development Limited**,
New Territories (HK)

(**) Term: **14 Years**

(21) Appl. No.: **29/317,307**

(22) Filed: **Apr. 25, 2008**

(51) **LOC (9) Cl.** **19-06**

(52) **U.S. Cl.** **D19/86**

(58) **Field of Classification Search** D19/65,
D19/67, 75, 78, 86, 89, 90, 91, 92, 95, 97,
D19/99, 100; 206/214, 215, 425; 211/10,
211/11, 45, 50

See application file for complete search history.

(56) **References Cited**

U.S. PATENT DOCUMENTS

D250,653 S *	12/1978	Tiedemann	D19/85
D301,260 S *	5/1989	McLaughlin et al.	D21/500
D310,244 S *	8/1990	Evenson	D19/85
D343,427 S *	1/1994	Sher	D21/499
D371,281 S *	7/1996	Credle, Jr.	D7/625
D412,646 S *	8/1999	Credle, Jr.	D7/625
D413,636 S *	9/1999	Laserna Fernandez	D21/499
D497,954 S *	11/2004	DeCarlo et al.	D19/85

D512,108 S *	11/2005	Lin	D21/499
D528,604 S *	9/2006	Decarlo et al.	D19/85
2008/0311819 A1 *	12/2008	Andersen	446/128

* cited by examiner

Primary Examiner—Elizabeth A Albert

Assistant Examiner—Karen E Eldridge Powers

(74) *Attorney, Agent, or Firm*—Intellectual Property Law
Group LLP; Juneko Jackson; Otto O. Lee

(57) **CLAIM**

The ornamental design for a holder for stationery, as shown
and described.

DESCRIPTION

FIG. 1 is a perspective view of a holder for stationery
embodying my new design;

FIG. 2 is a front elevational view thereof;

FIG. 3 is a rear elevational view thereof;

FIG. 4 is a left side elevational view thereof;

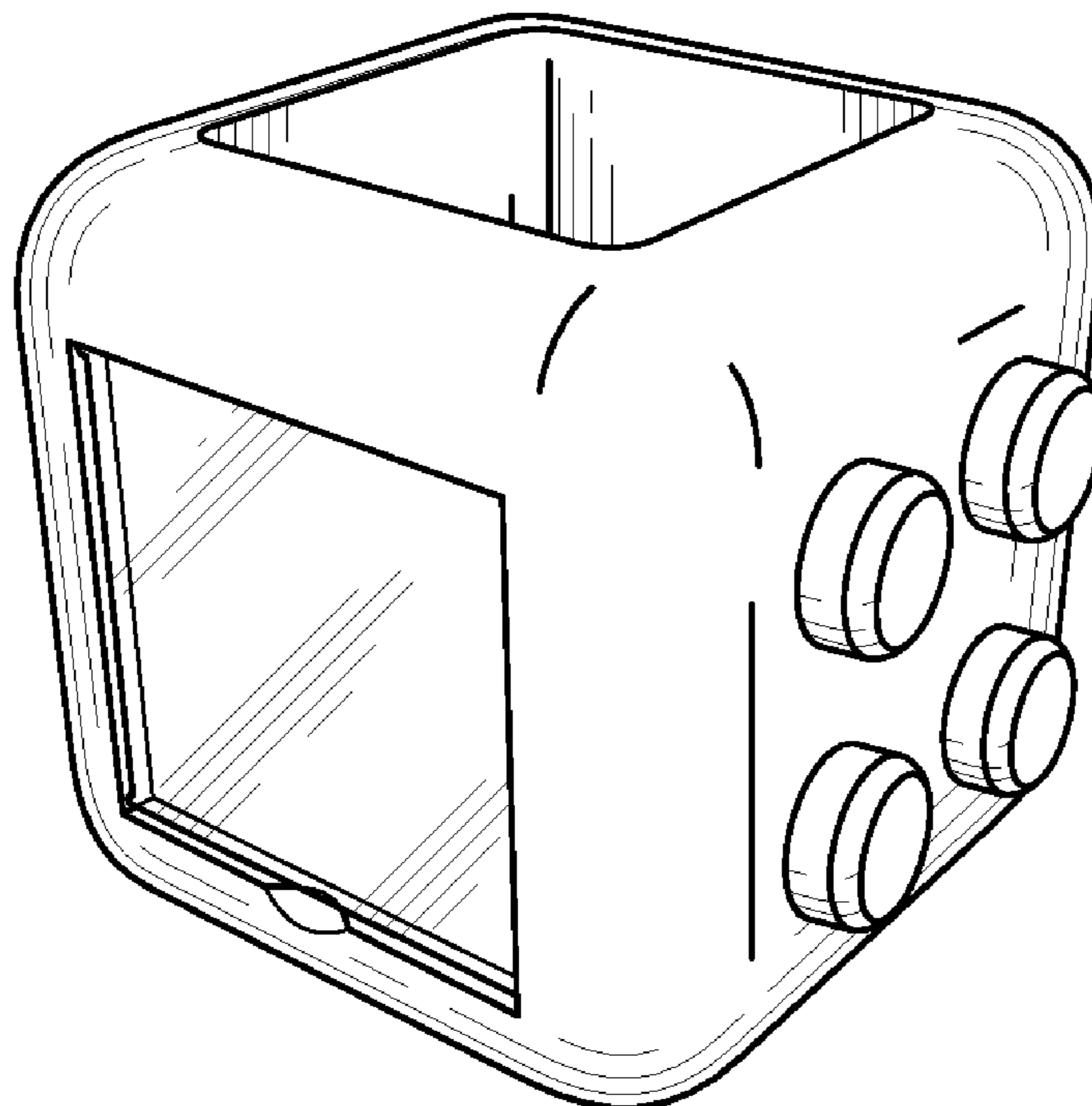
FIG. 5 is a right side elevational view thereof;

FIG. 6 is a top plan view thereof; and,

FIG. 7 is a bottom plan view thereof.

The broken line in FIG. 6, which defines the bounds of the
claimed design, forms no part thereof.

1 Claim, 2 Drawing Sheets



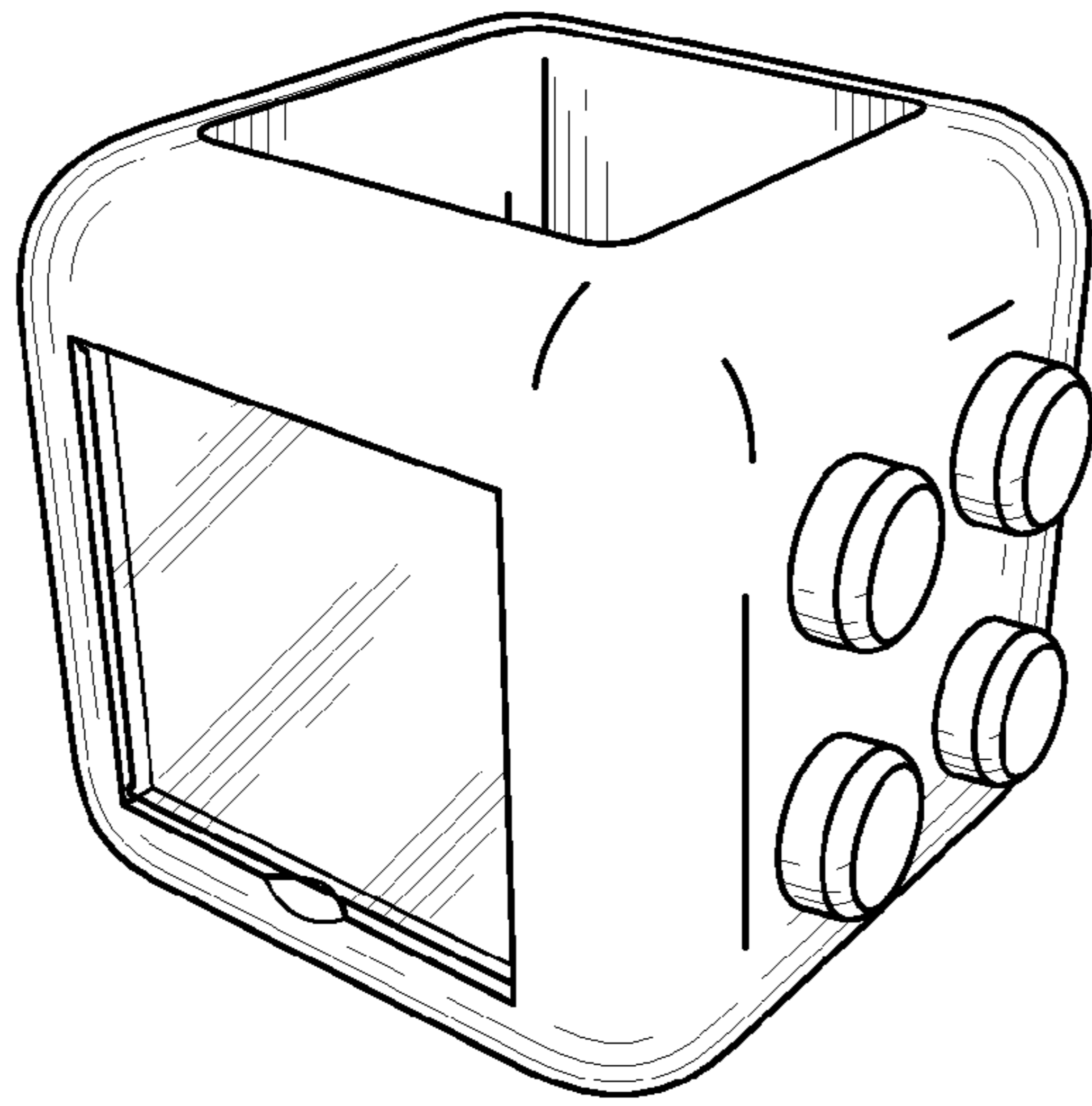


FIG. 1

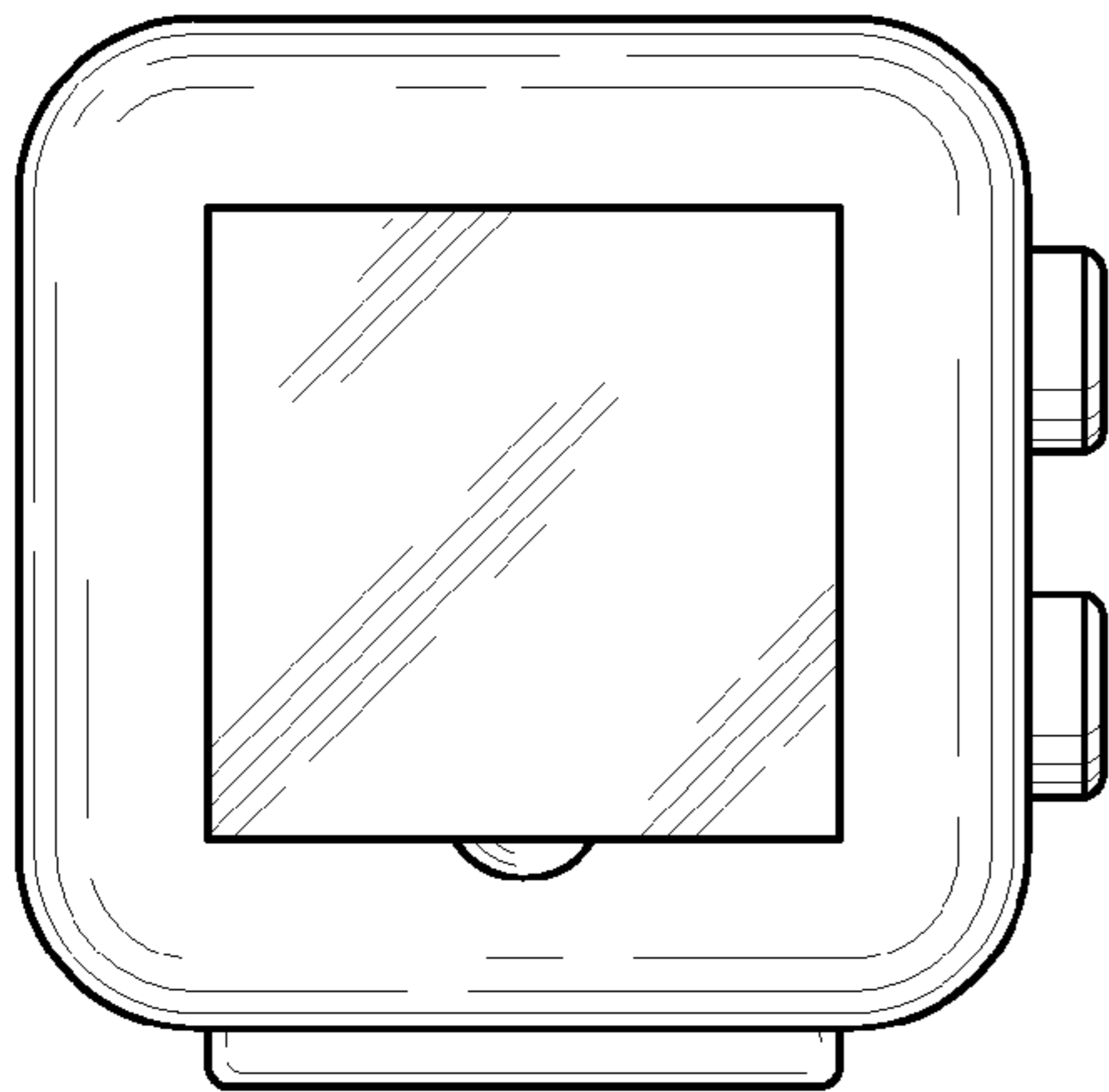


FIG. 2

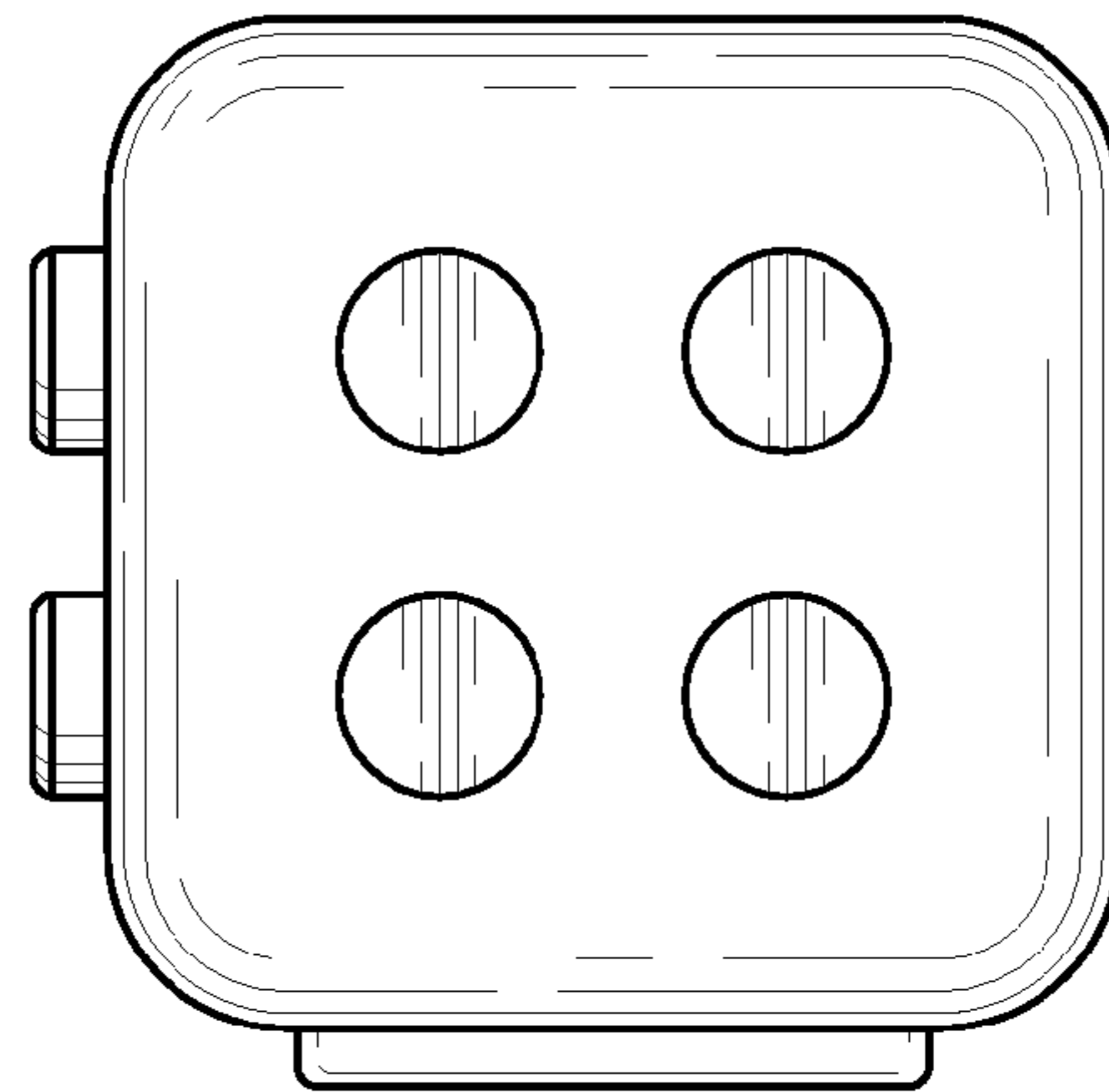


FIG. 3

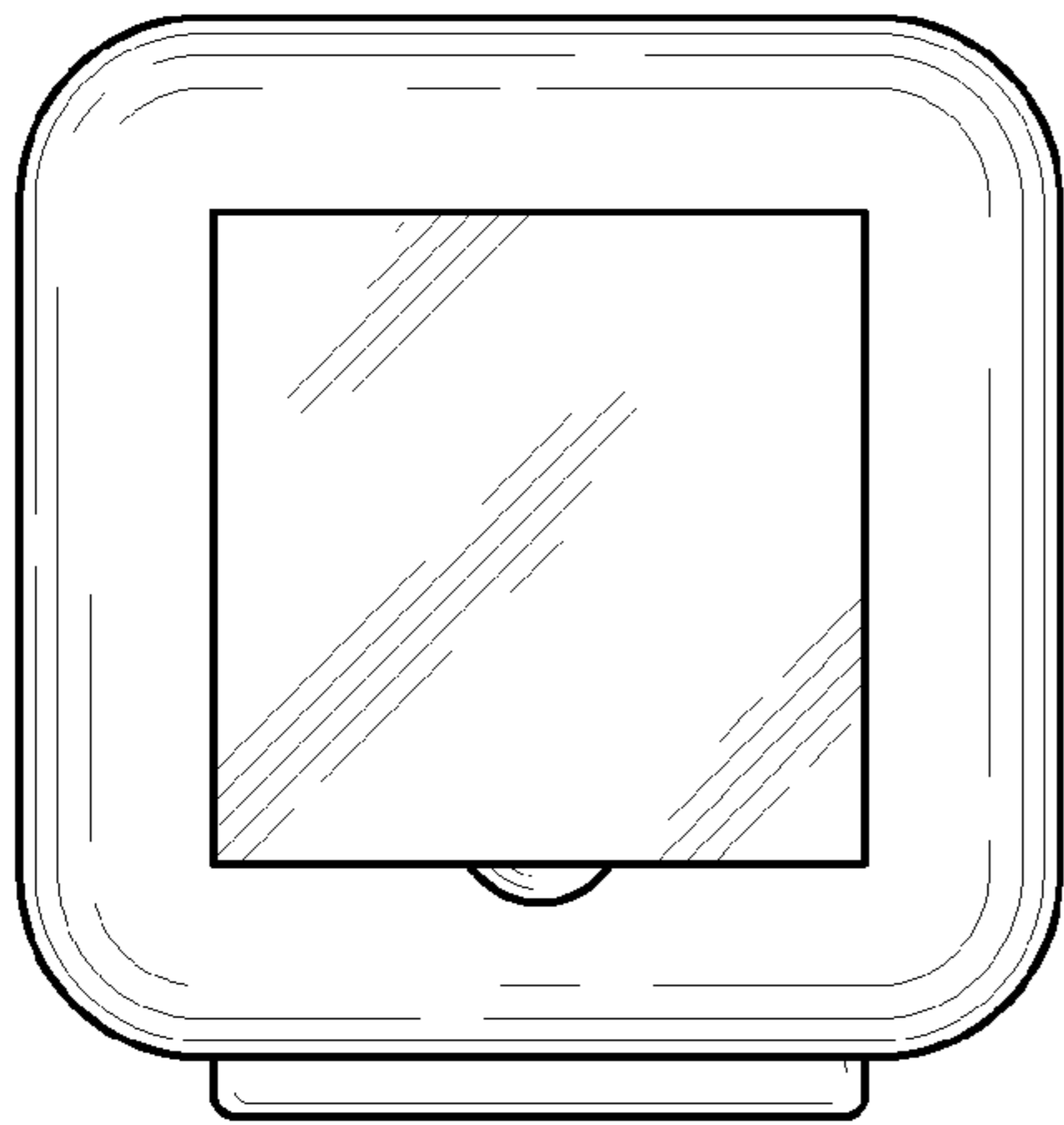


FIG. 4

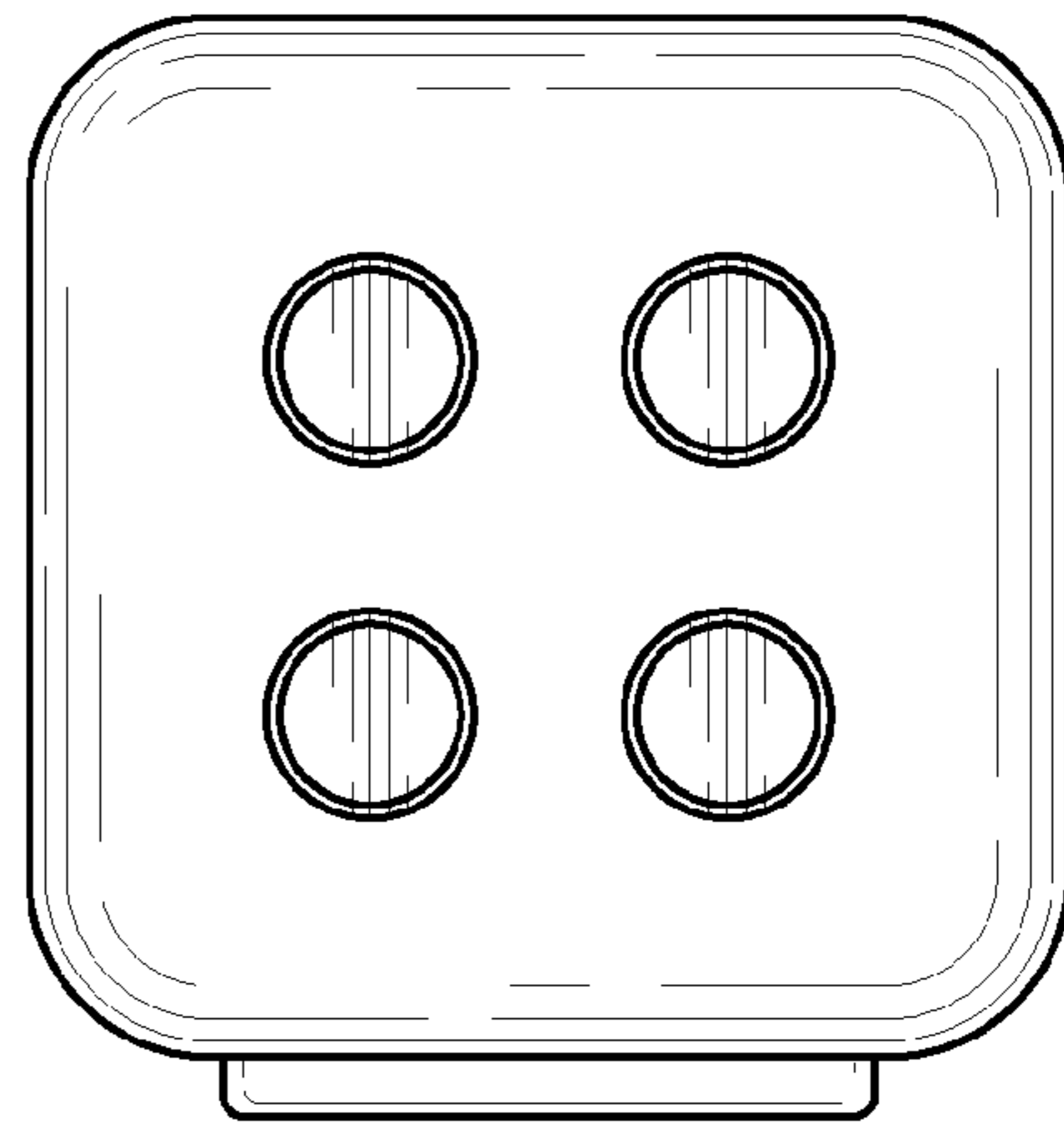


FIG. 5

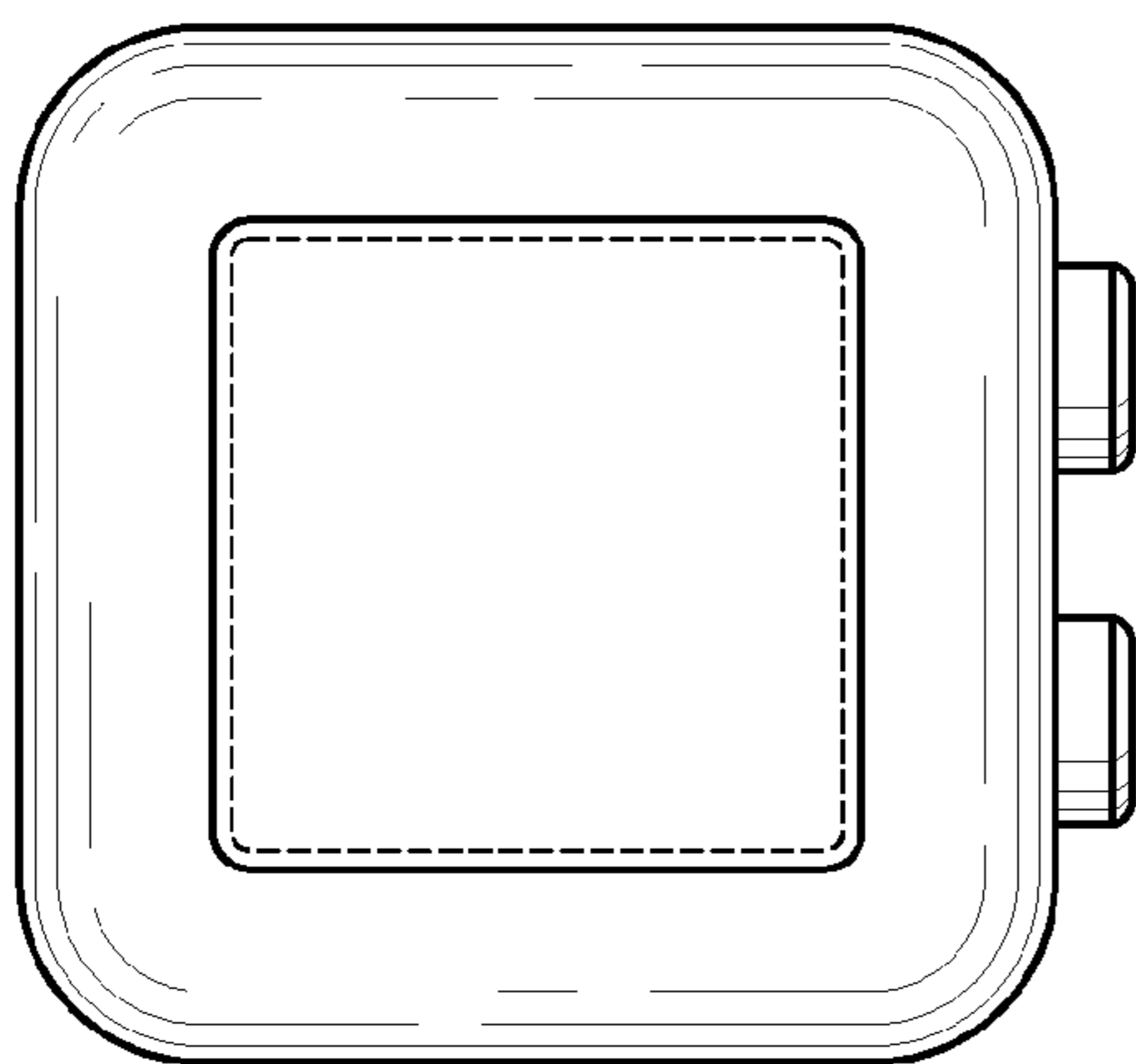


FIG. 6

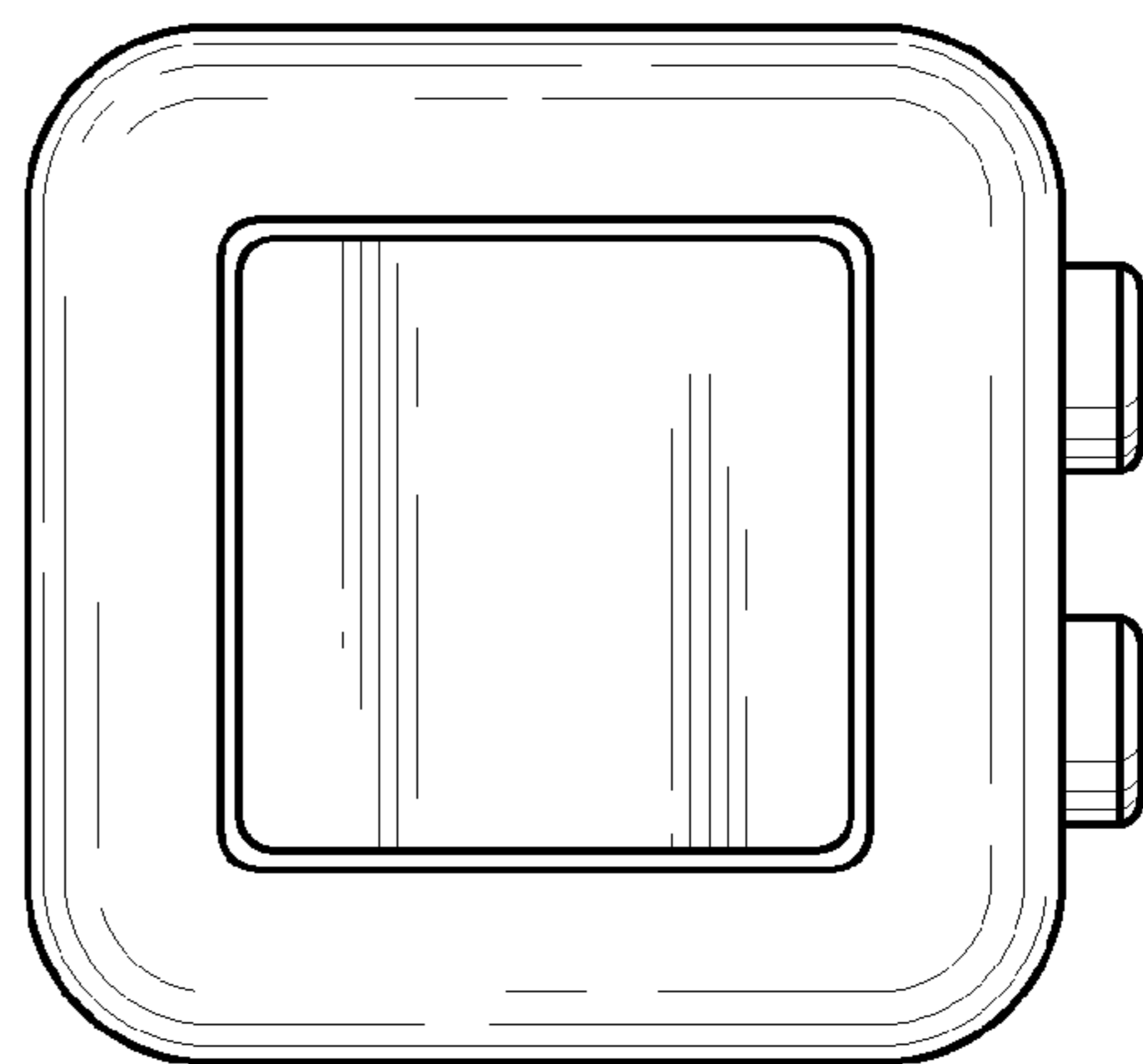


FIG. 7