



US00D609272S

(12) **United States Design Patent**
Lecheheb et al.

(10) **Patent No.:** **US D609,272 S**
(45) **Date of Patent:** **** Feb. 2, 2010**

(54) **PRINTER MODULE**

(75) Inventors: **Ammar Lecheheb**, Harston (GB); **Jerzy Zaba**, Histon (GB); **Matthew Brian Tomlin**, Stapleford (GB); **Ian Fost**, Cambs (GB); **Trevor Lye**, Cambridge (GB)

(73) Assignee: **Videojet Technologies Inc.**, Wood Dale, IL (US)

(**) Term: **14 Years**

(21) Appl. No.: **29/326,086**

(22) Filed: **Oct. 10, 2008**

(30) **Foreign Application Priority Data**

Jul. 18, 2008 (CN) 2008 30 140653

(51) **LOC (9) Cl.** **18-02**

(52) **U.S. Cl.** **D18/56**

(58) **Field of Classification Search** D18/40,
D18/43, 56; 347/47, 86-87

See application file for complete search history.

(56) **References Cited**

U.S. PATENT DOCUMENTS

D278,539 S * 4/1985 Josephson et al. D18/43
D375,523 S * 11/1996 Murray D18/56
D441,396 S * 5/2001 Kotaki et al. D18/56
D441,786 S * 5/2001 Kotaki et al. D18/56

D442,221 S * 5/2001 Seino et al. D18/56
D455,780 S * 4/2002 Seino et al. D18/56
D501,504 S * 2/2005 Yamada et al. D18/56
D538,335 S * 3/2007 Chang D18/56
7,325,913 B2 * 2/2008 Sasaki et al. 347/86
D575,331 S * 8/2008 Yuen D18/56
D580,972 S * 11/2008 Yuen D18/56
2008/0036829 A1 * 2/2008 Nishioka et al. 347/86
2008/0088683 A1 * 4/2008 Silverbrook et al. 347/86
2008/0117270 A1 * 5/2008 Koike et al. 347/86

* cited by examiner

Primary Examiner—Cathy Anne MacCormac

(74) *Attorney, Agent, or Firm*—Joseph A. Yosick

(57) **CLAIM**

The ornamental design for the printer module, as shown and described.

DESCRIPTION

FIG. 1 is an isometric view of a printer module, of the present invention.

FIG. 2 is a front elevation view thereof.

FIG. 3 is a rear elevation view thereof.

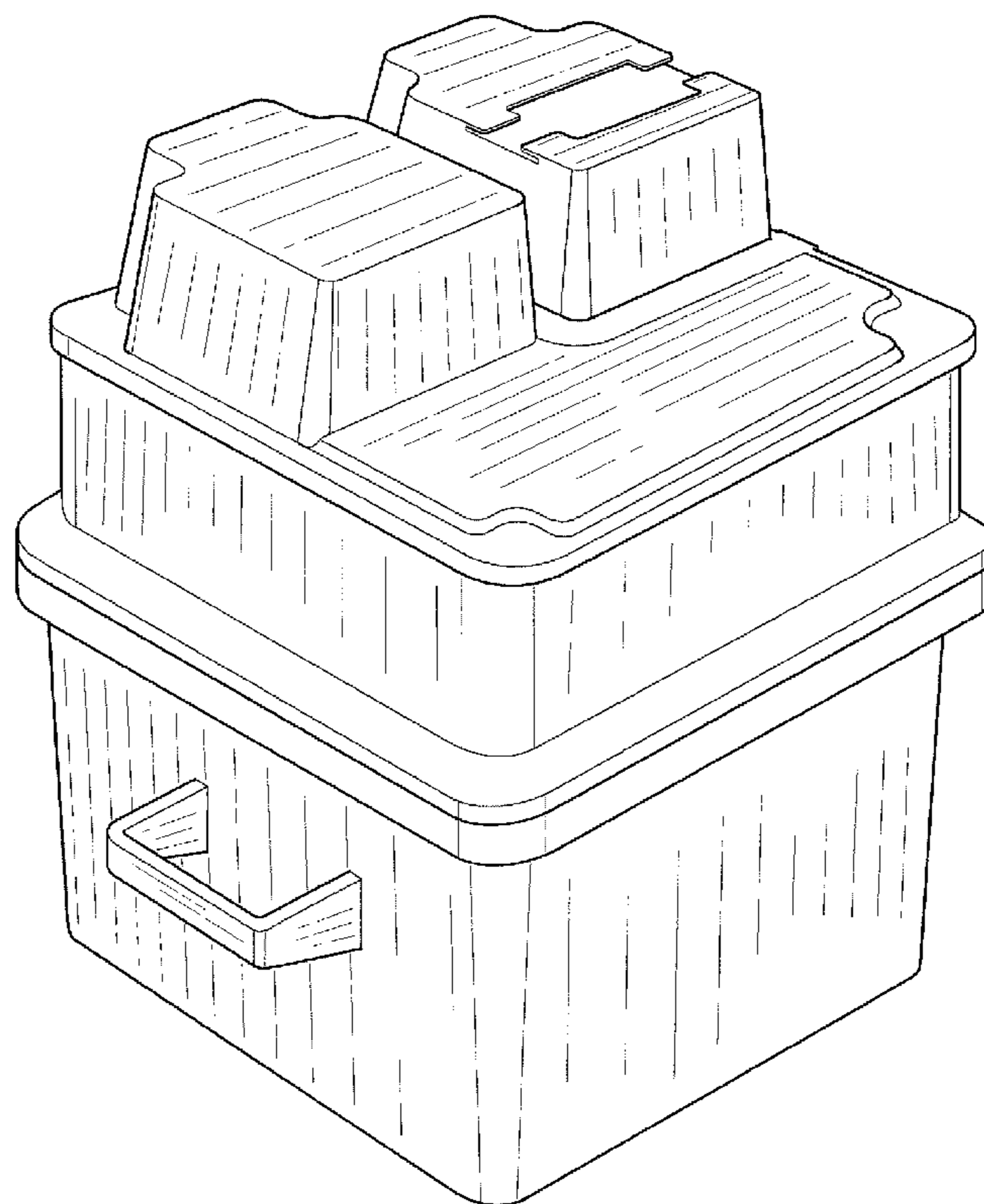
FIG. 4 is a side elevation view thereof.

FIG. 5 is an opposite side elevation view thereof.

FIG. 6 is a top plan view thereof; and,

FIG. 7 is a top plan view thereof.

1 Claim, 4 Drawing Sheets



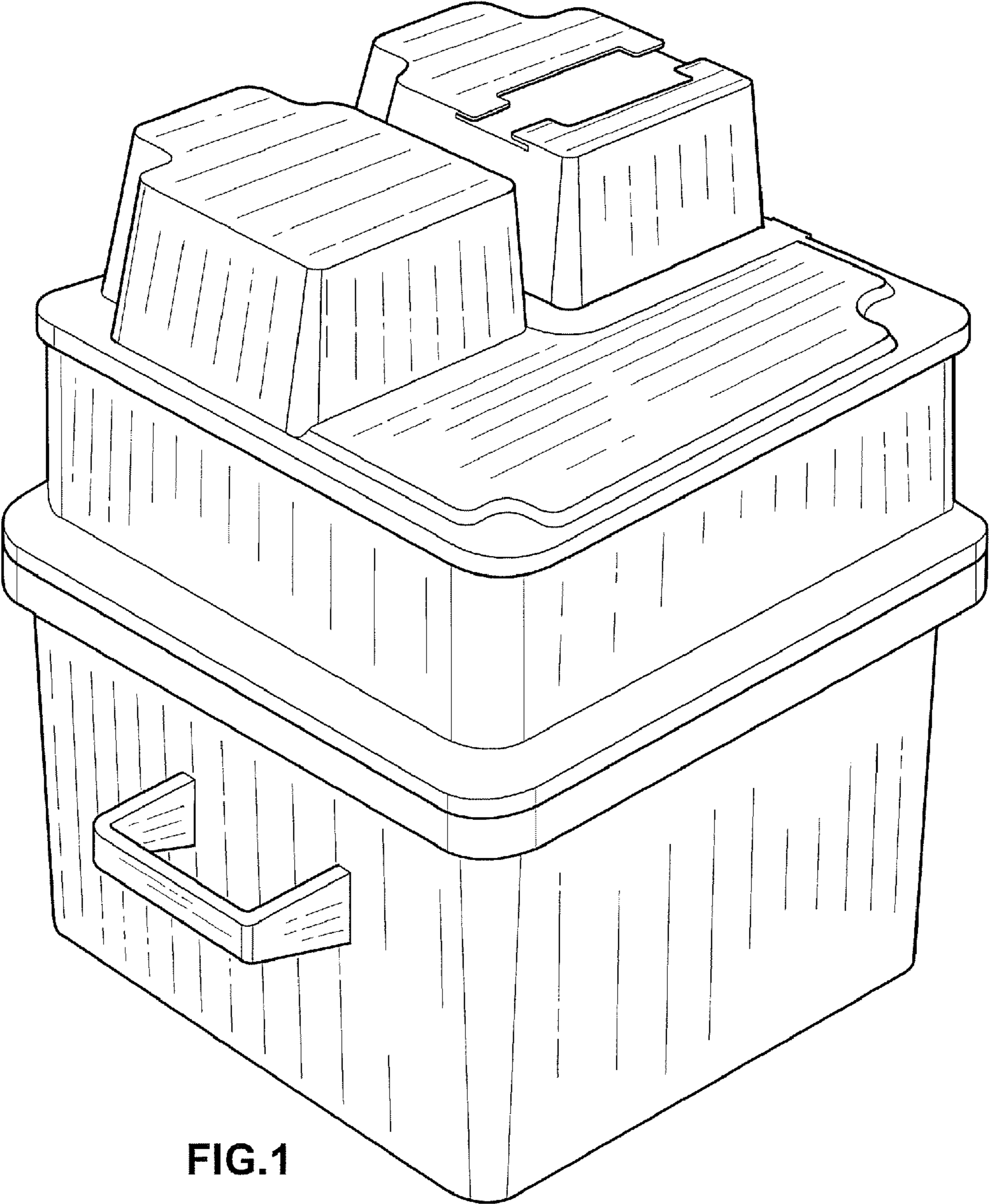


FIG. 1

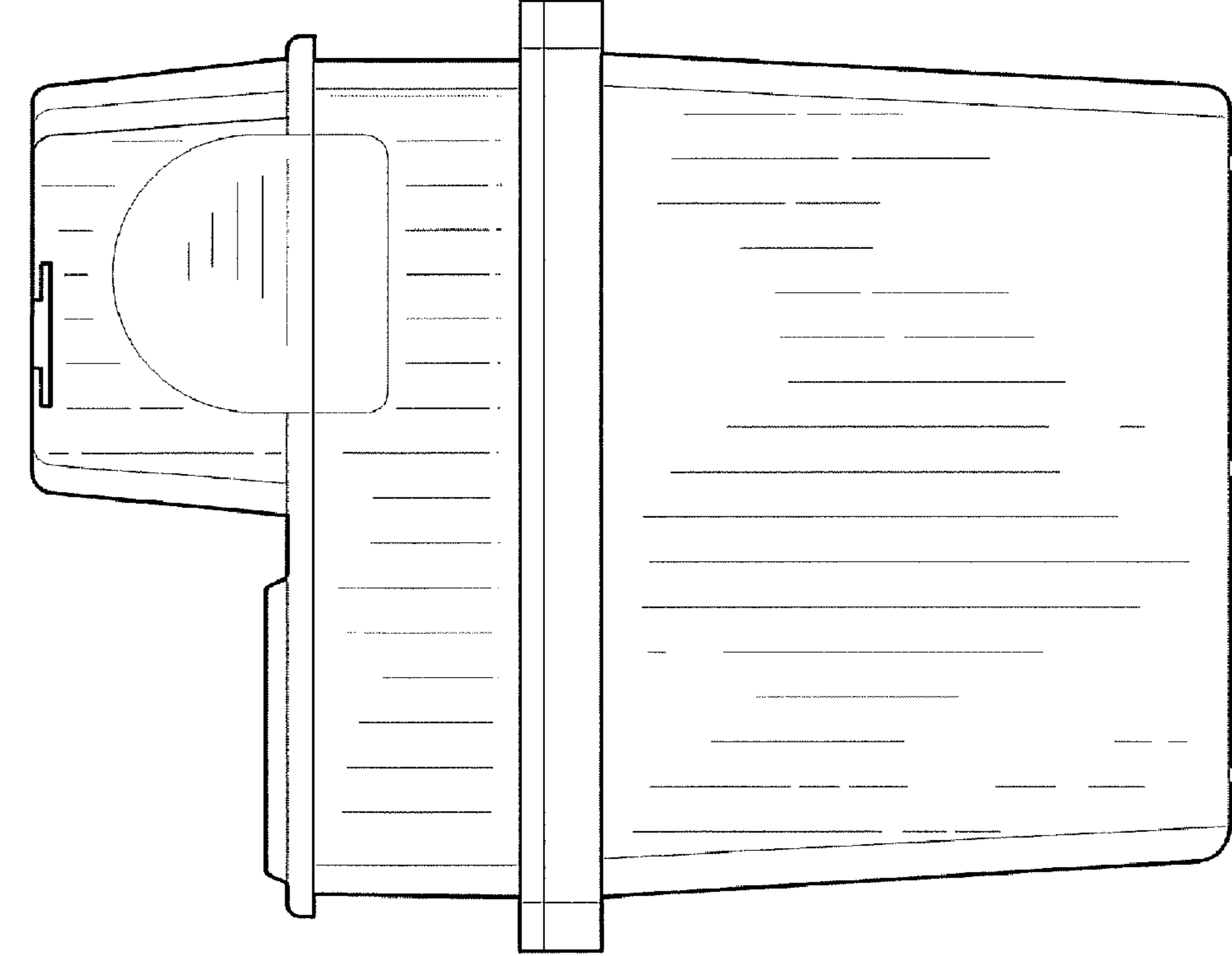


FIG. 2

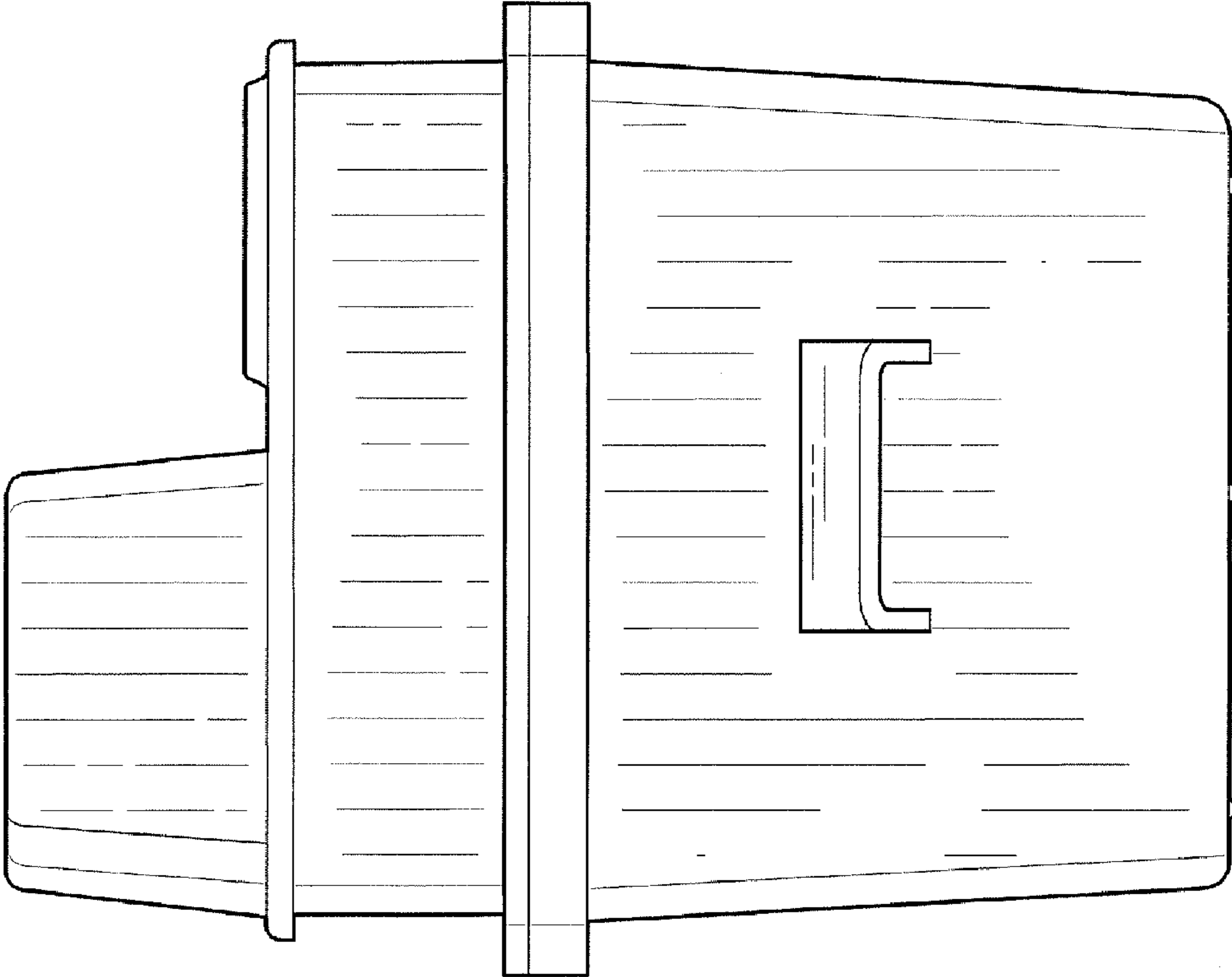


FIG. 3

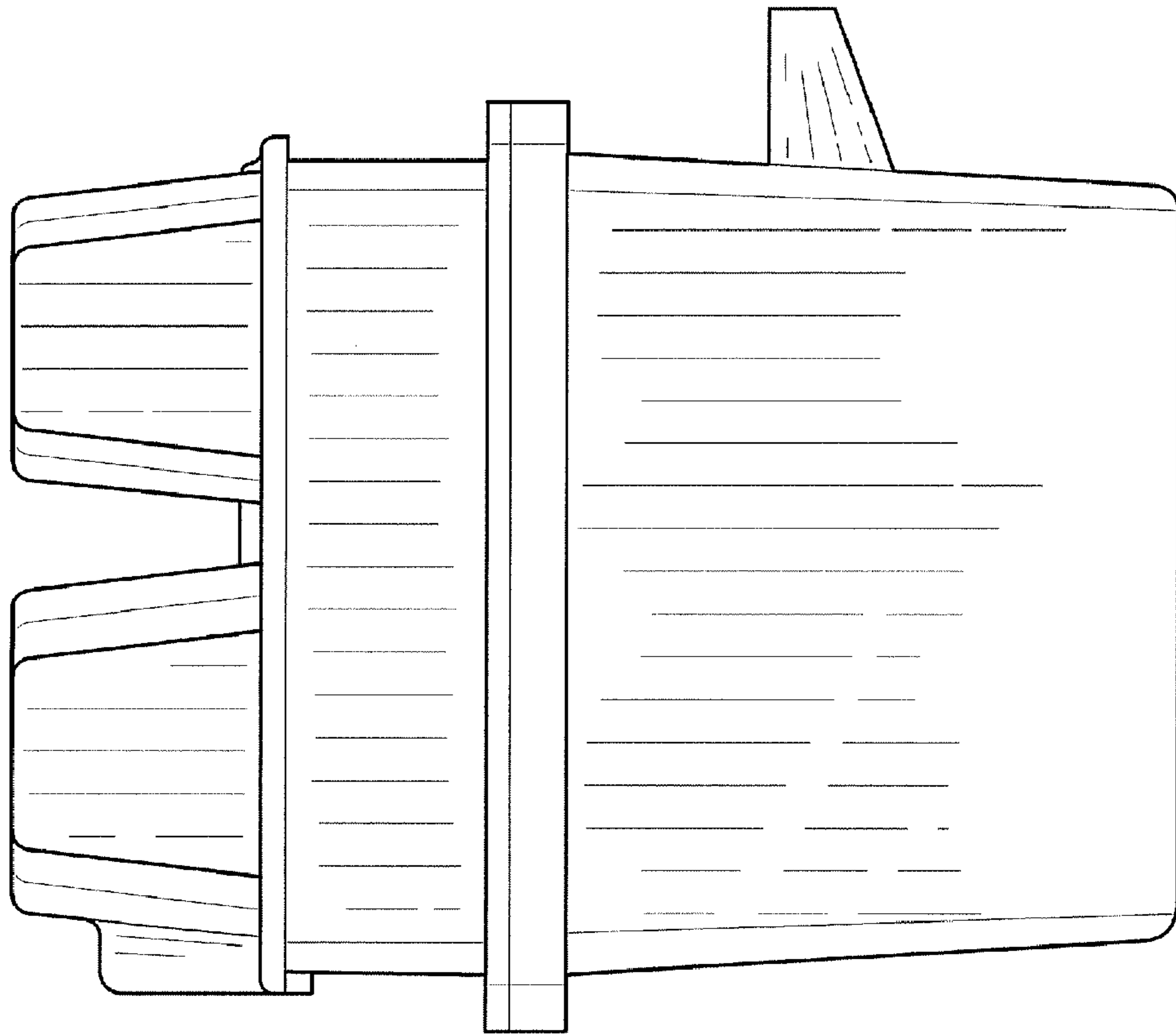


FIG.5

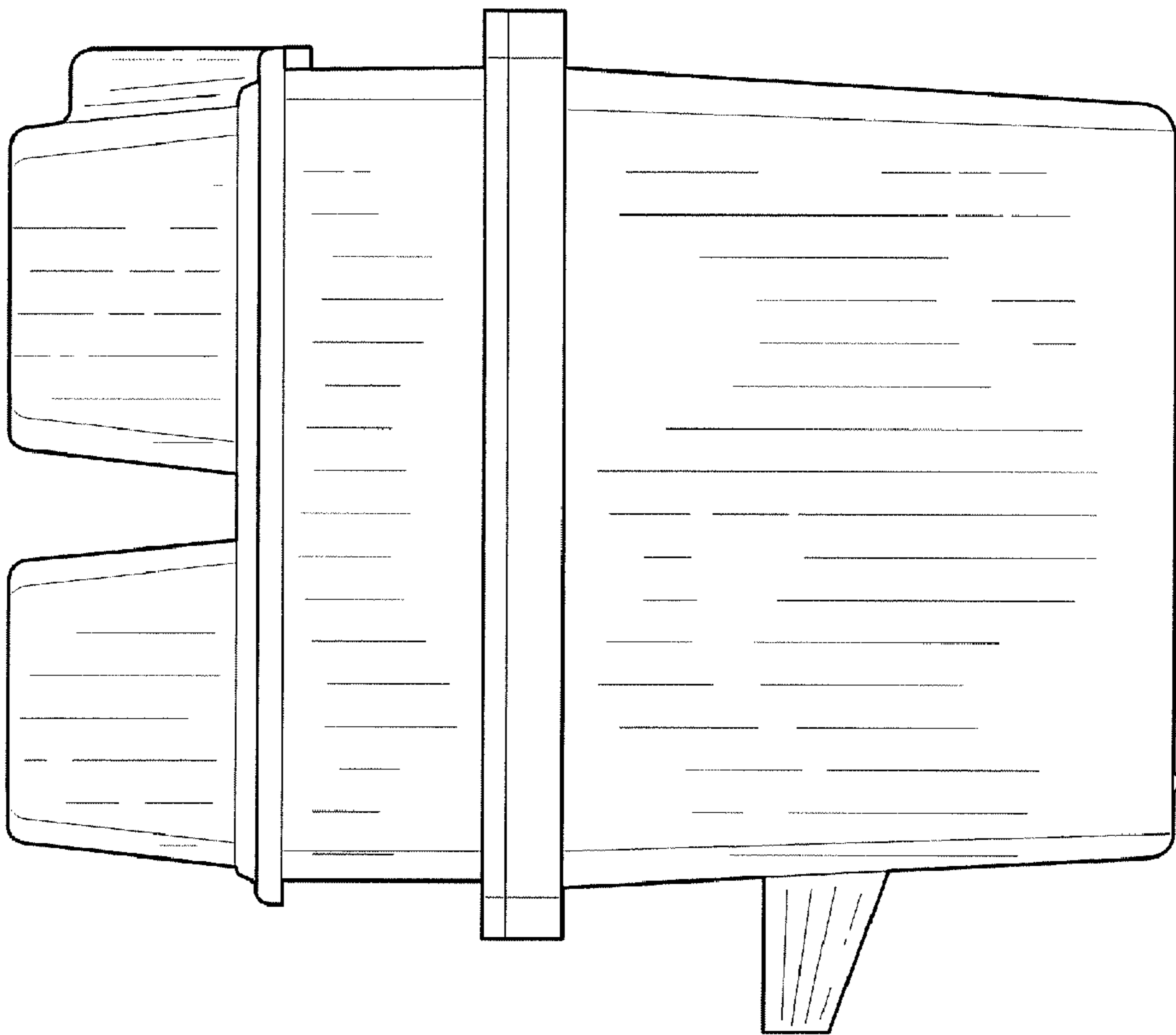


FIG.4

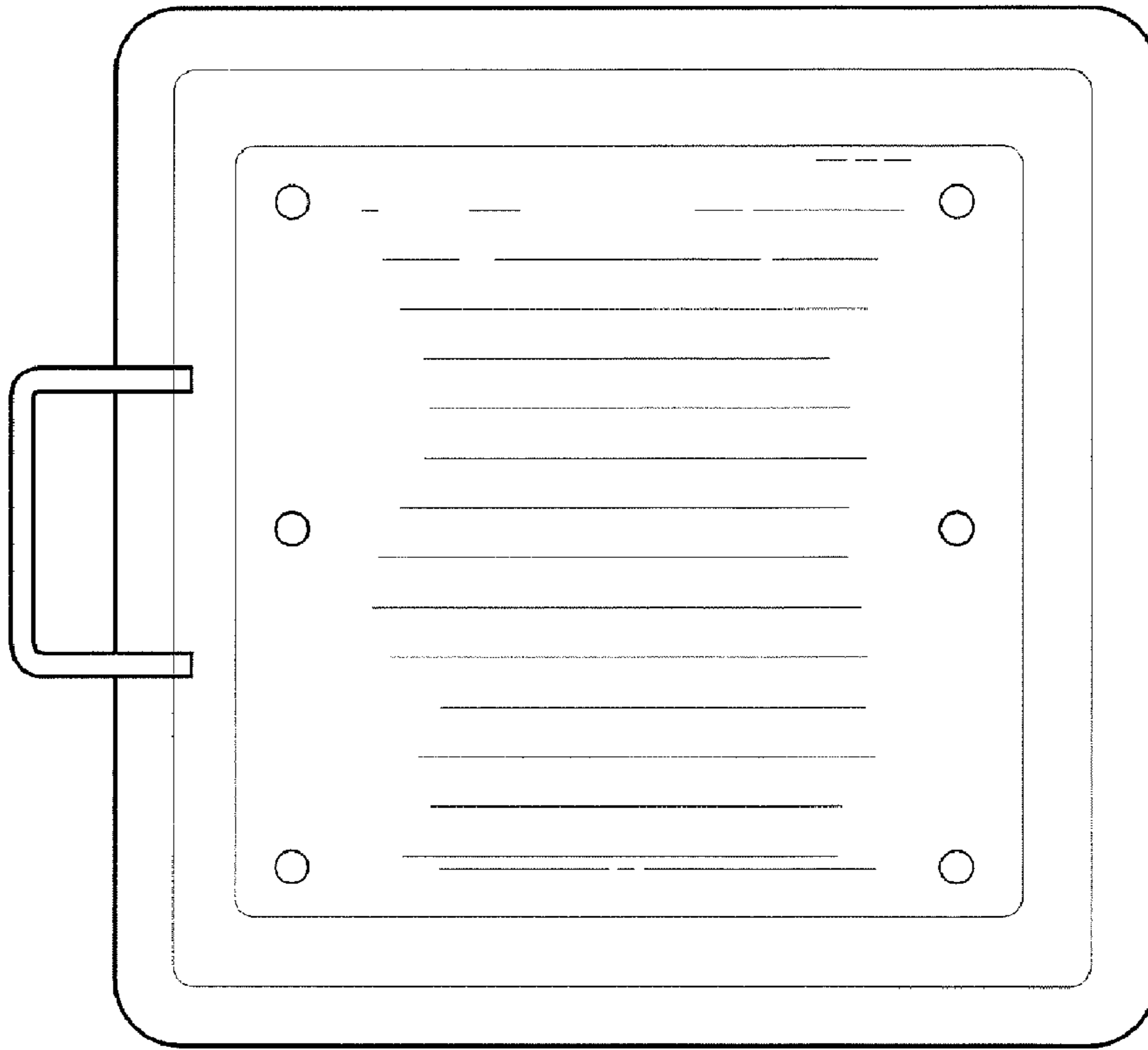


FIG. 7

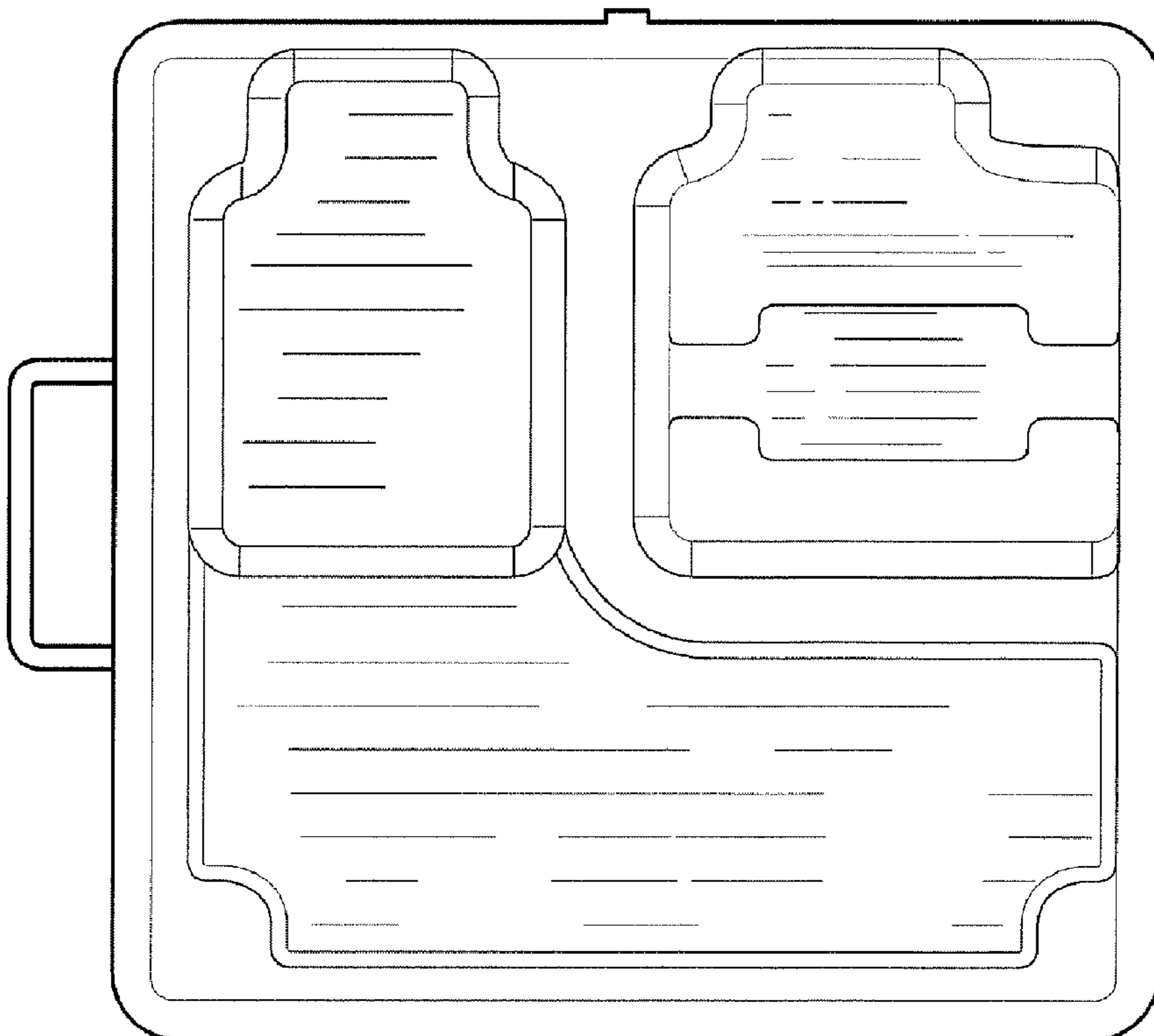


FIG. 6