



(12) **United States Design Patent**  
**Russell et al.**

(10) **Patent No.:** **US D609,268 S**  
(45) **Date of Patent:** **\*\* Feb. 2, 2010**

(54) **KEYBOARD PRACTICE AID**

(75) Inventors: **Jeremy Russell**, Leeds (GB); **Richard Hall**, Harrogate (GB); **Tim Flood**, Cleveland (GB)

(73) Assignee: **Scalerrail Limited**, West Yorkshire (GB)

(\*\*) Term: **14 Years**

(21) Appl. No.: **29/331,708**

(22) Filed: **Jan. 30, 2009**

(30) **Foreign Application Priority Data**

Aug. 1, 2008 (EP) ..... 000983259-0001  
Aug. 1, 2008 (EP) ..... 000983259-0002

(51) **LOC (9) Cl.** ..... **17-01**

(52) **U.S. Cl.** ..... **D17/9**

(58) **Field of Classification Search** ..... D17/2,  
D17/9; 84/450, 453, 467, 469, 482; 297/115,  
297/116, 411.21; D6/462; 248/118; 602/21  
See application file for complete search history.

(56) **References Cited**

**U.S. PATENT DOCUMENTS**

291,330 A \* 1/1884 Giddings ..... 84/469  
591,800 A \* 10/1897 Finnblade et al. .... 84/469  
679,288 A \* 7/1901 Bohrer ..... 84/469  
704,343 A \* 7/1902 Jones ..... 84/469  
D301,418 S \* 6/1989 Wernick ..... D6/462  
D304,270 S \* 10/1989 Goldman ..... D6/462

5,082,258 A \* 1/1992 Niks ..... 84/469

\* cited by examiner

*Primary Examiner*—Ian Simmons

*Assistant Examiner*—R. Johnson

(74) *Attorney, Agent, or Firm*—Myers Bigel Sibley & Sajovec

(57) **CLAIM**

The ornamental design for keyboard practice aid, as shown and described.

**DESCRIPTION**

FIG. 1 is a front perspective view of the keyboard practice aid showing the design, hand rests dotted;

FIG. 2 is a side view from the right thereof, the left being a mirror image thereof, hand rests dotted;

FIG. 3 is a front view thereof, hand rests dotted;

FIG. 4 is a rear view thereof, hand rests dotted;

FIG. 5 is a top view thereof, hand rests dotted;

FIG. 6 is a bottom end view thereof, hand rests dotted; and,

FIG. 7 is a perspective environmental view of design in an in-use position abutting piano keyboard, piano and hand rests dotted.

The broken lines shown herein are for illustrative purposes only and form no part of the claimed design. The environmental view illustrates the keyboard practice aid in use with a portion of a piano, which is disclaimed.

In FIGS. 1 and 3–7, the break line on the keyboard practice aid indicates an indeterminate length and forms no part of the claimed design.

**1 Claim, 7 Drawing Sheets**



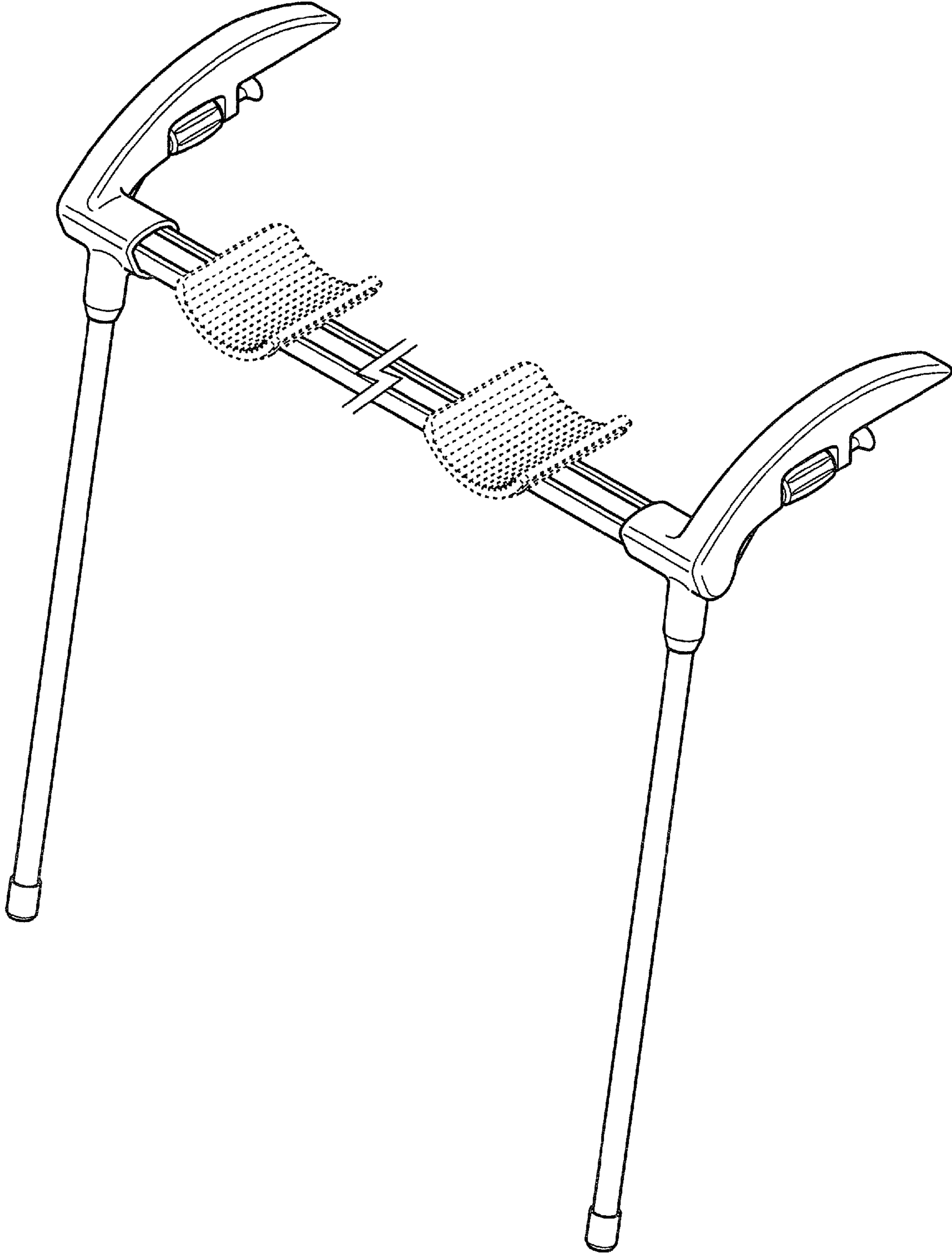


FIG. 1

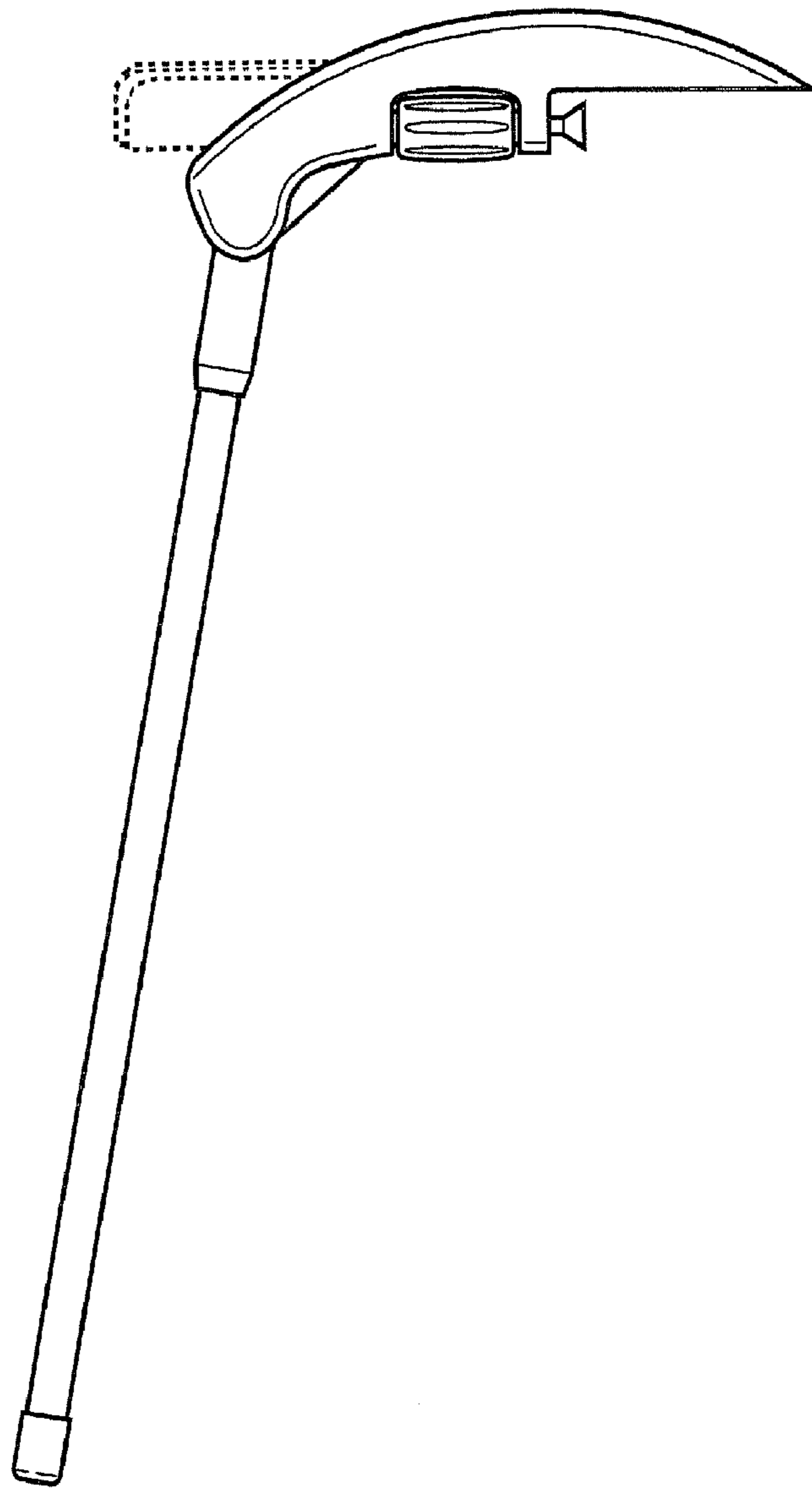


FIG. 2

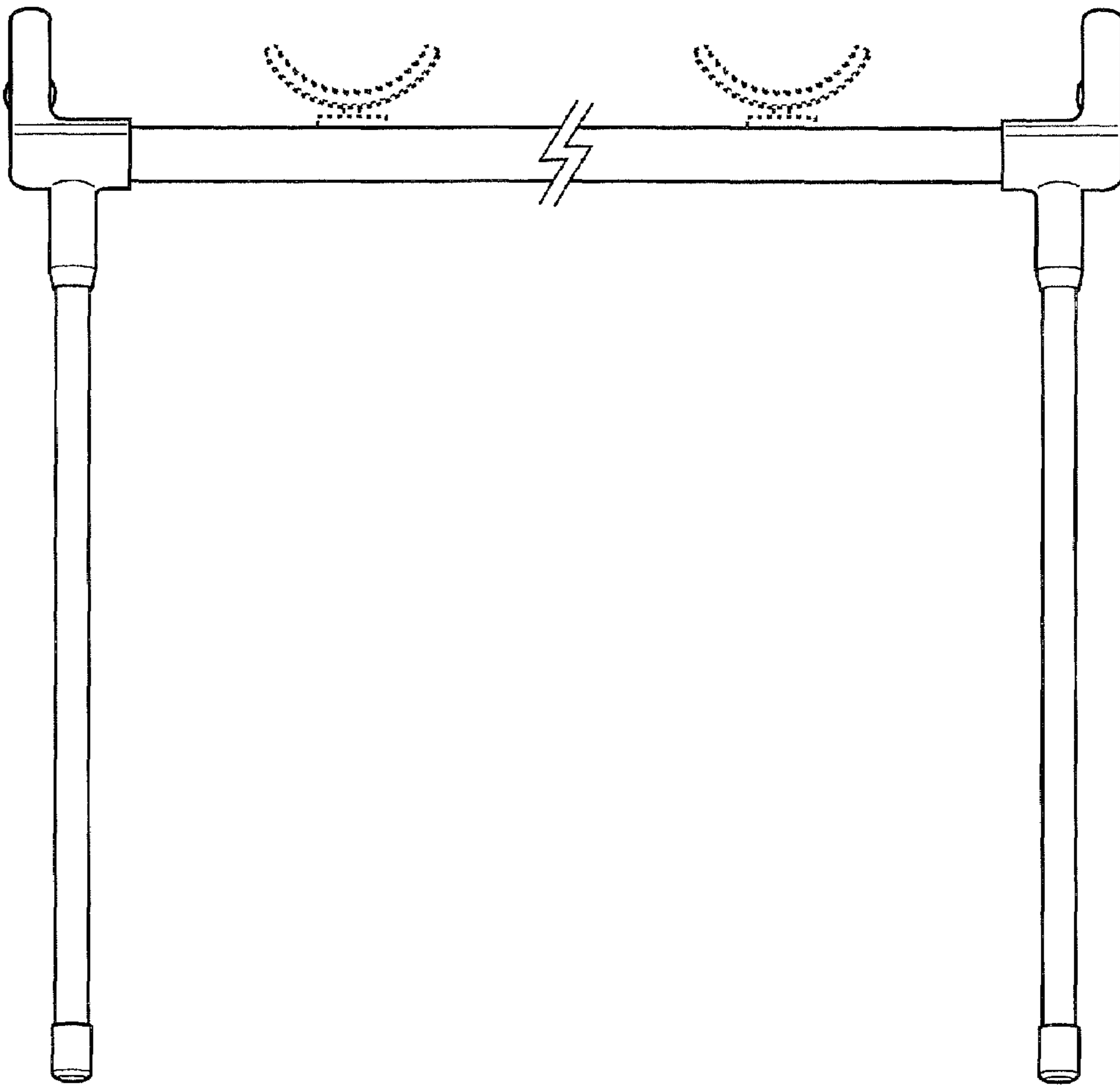


FIG. 3

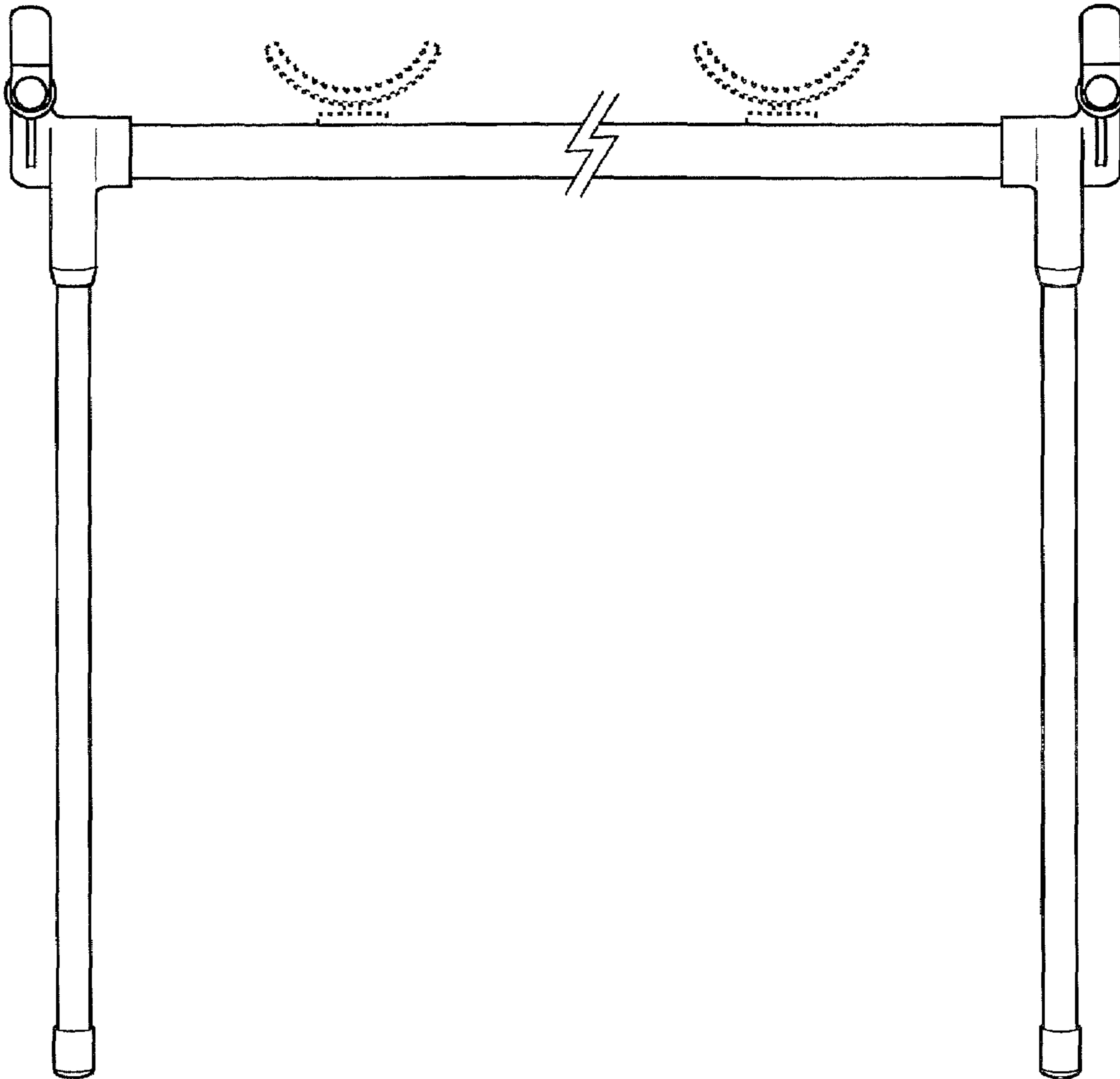


FIG. 4

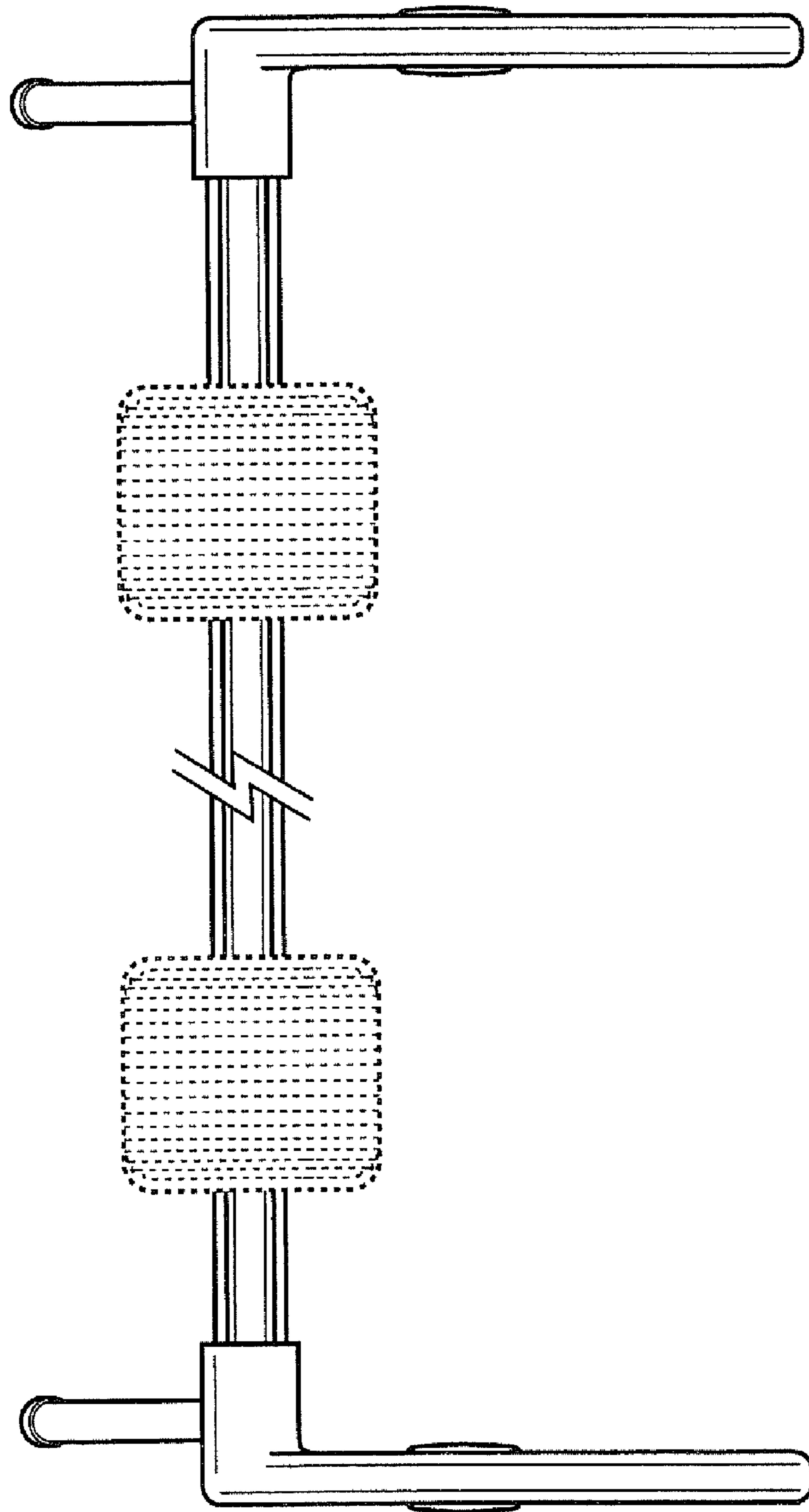


FIG. 5

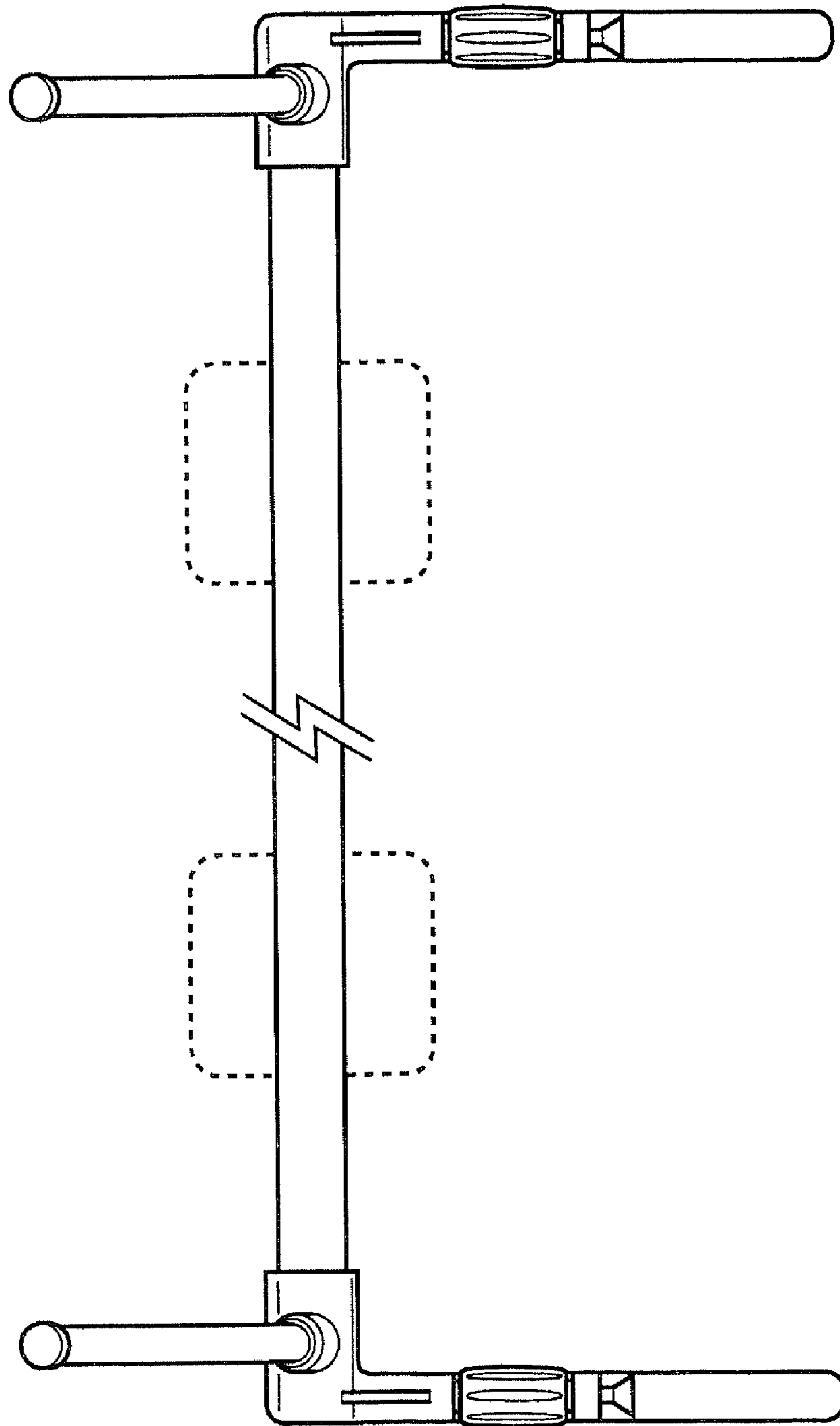


FIG. 6

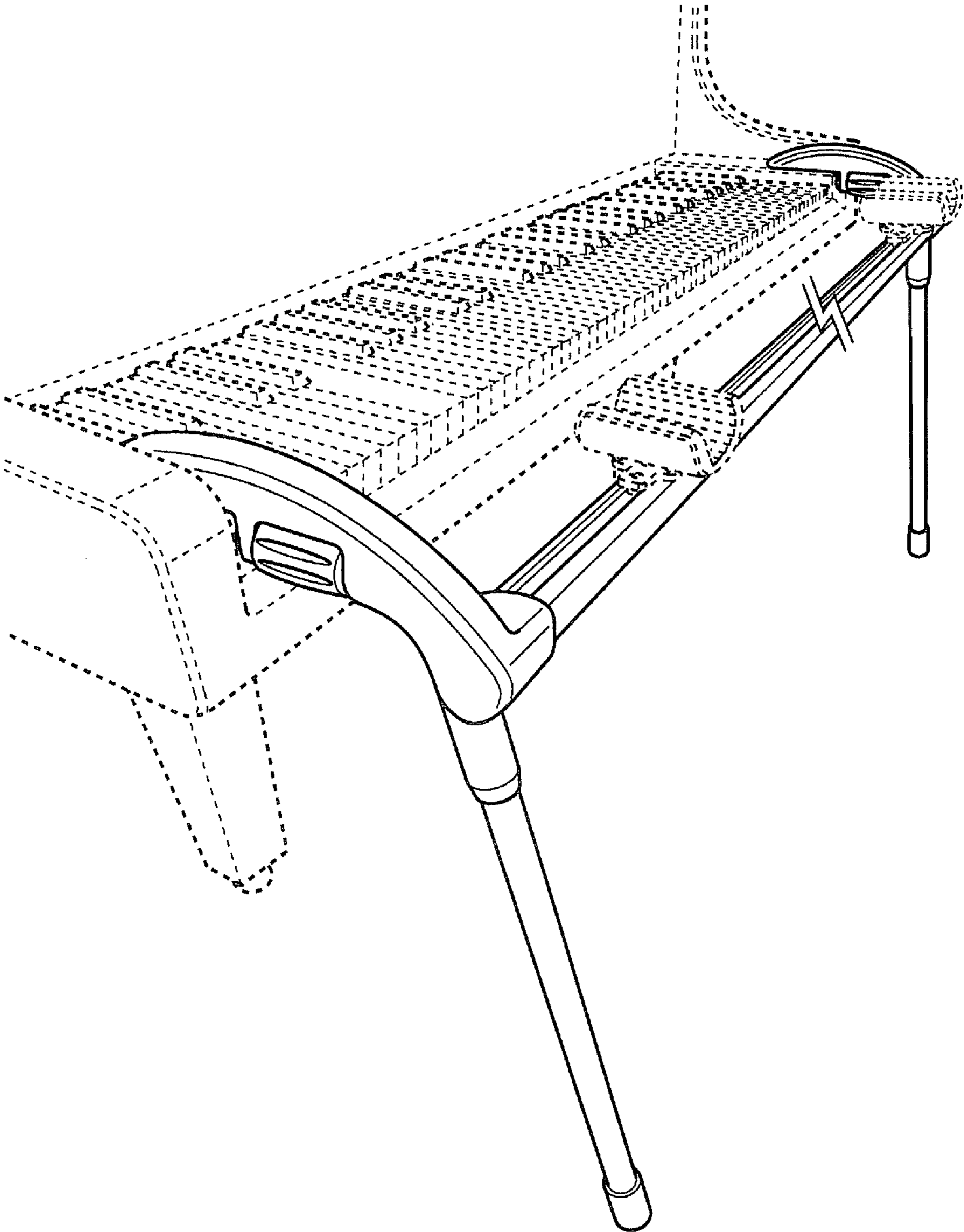


FIG. 7