

US00D609267S

(12) **United States Design Patent**
Ono

(10) **Patent No.:** **US D609,267 S**
(45) **Date of Patent:** **** Feb. 2, 2010**

(54) **ELECTRONIC PIANO**

(75) Inventor: **Masaharu Ono**, Hamamatsu (JP)

(73) Assignee: **Yamaha Corporation**, Hamamatsu-shi (JP)

(**) Term: **14 Years**

(21) Appl. No.: **29/338,472**

(22) Filed: **Jun. 12, 2009**

(30) **Foreign Application Priority Data**

Jan. 6, 2009 (JP) 2009-000077

(51) **LOC (9) Cl.** **17-01**

(52) **U.S. Cl.** **D17/8**

(58) **Field of Classification Search** D17/1,
D17/7, 8, 9; 84/13, 172, 174, 423 R, 177;
D21/405, 409

See application file for complete search history.

(56) **References Cited**

U.S. PATENT DOCUMENTS

- D103,260 S * 2/1937 Zaiser D17/8
- D105,155 S * 6/1937 Von Rohl D17/8
- D310,232 S * 8/1990 Dong D17/8
- D322,089 S * 12/1991 Orris D17/8
- D369,378 S * 4/1996 Okamura D17/7
- D382,006 S * 8/1997 Nakajima D17/7
- D401,962 S * 12/1998 Detrich D17/7
- D416,934 S * 11/1999 Nagayama D17/5
- 6,586,666 B2 * 7/2003 Abe 84/477 R

- D499,755 S * 12/2004 Ohno D17/7
- D542,777 S * 5/2007 Sato D14/215
- D555,714 S * 11/2007 Katsumata et al. D17/7
- D572,300 S * 7/2008 Hashimoto D17/1

FOREIGN PATENT DOCUMENTS

- JP 2005338224 A * 12/2005
- JP 2007233190 A * 9/2007

* cited by examiner

Primary Examiner—Ian Simmons

Assistant Examiner—R. Johnson

(74) *Attorney, Agent, or Firm*—Sughrue Mion, PLLC

(57) **CLAIM**

The ornamental design for an electronic piano, as shown and described.

DESCRIPTION

FIG. 1 is a front perspective view of the electronic piano according to the present invention;

FIG. 2 is a front elevational view thereof;

FIG. 3 is a top plan view thereof;

FIG. 4 is a left side elevational view thereof;

FIG. 5 is a right side elevational view thereof;

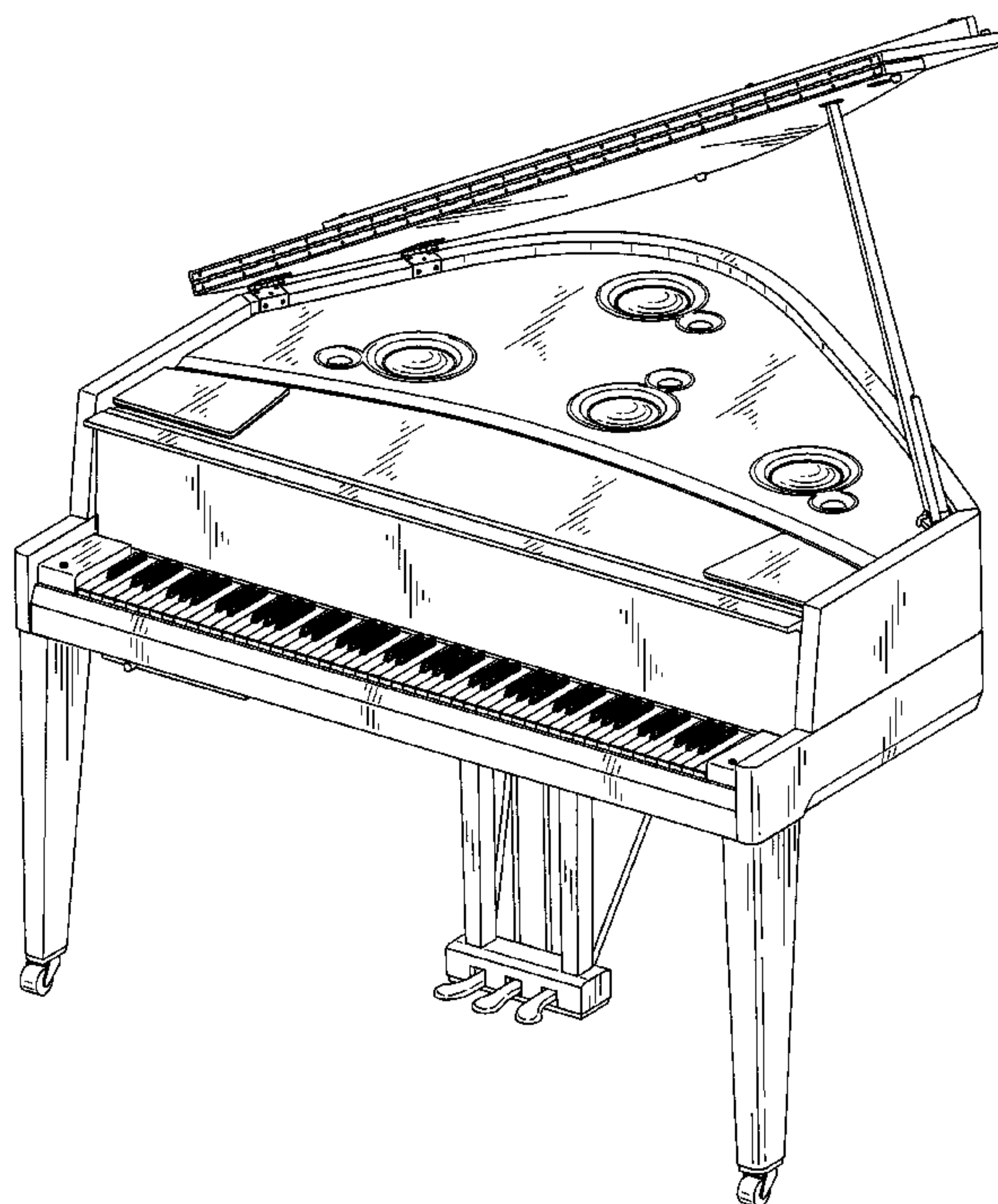
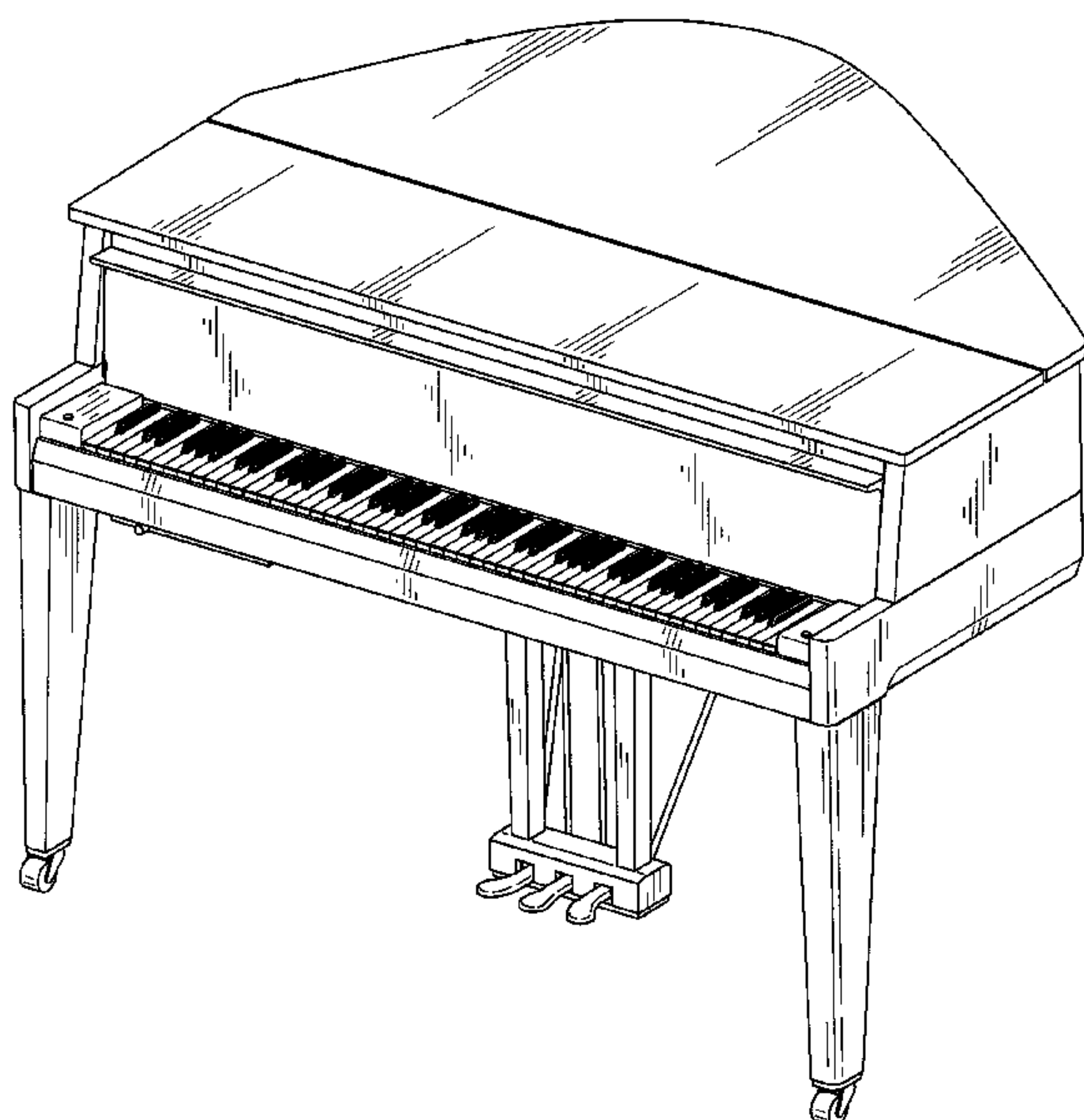
FIG. 6 is a rear elevational view thereof;

FIG. 7 is a bottom plan view thereof; and,

FIG. 8 is a front perspective view thereof with the top opened.

The broken lines shown in FIG. 7 are used to show environmental structure only, and form no part of the claimed design.

1 Claim, 8 Drawing Sheets



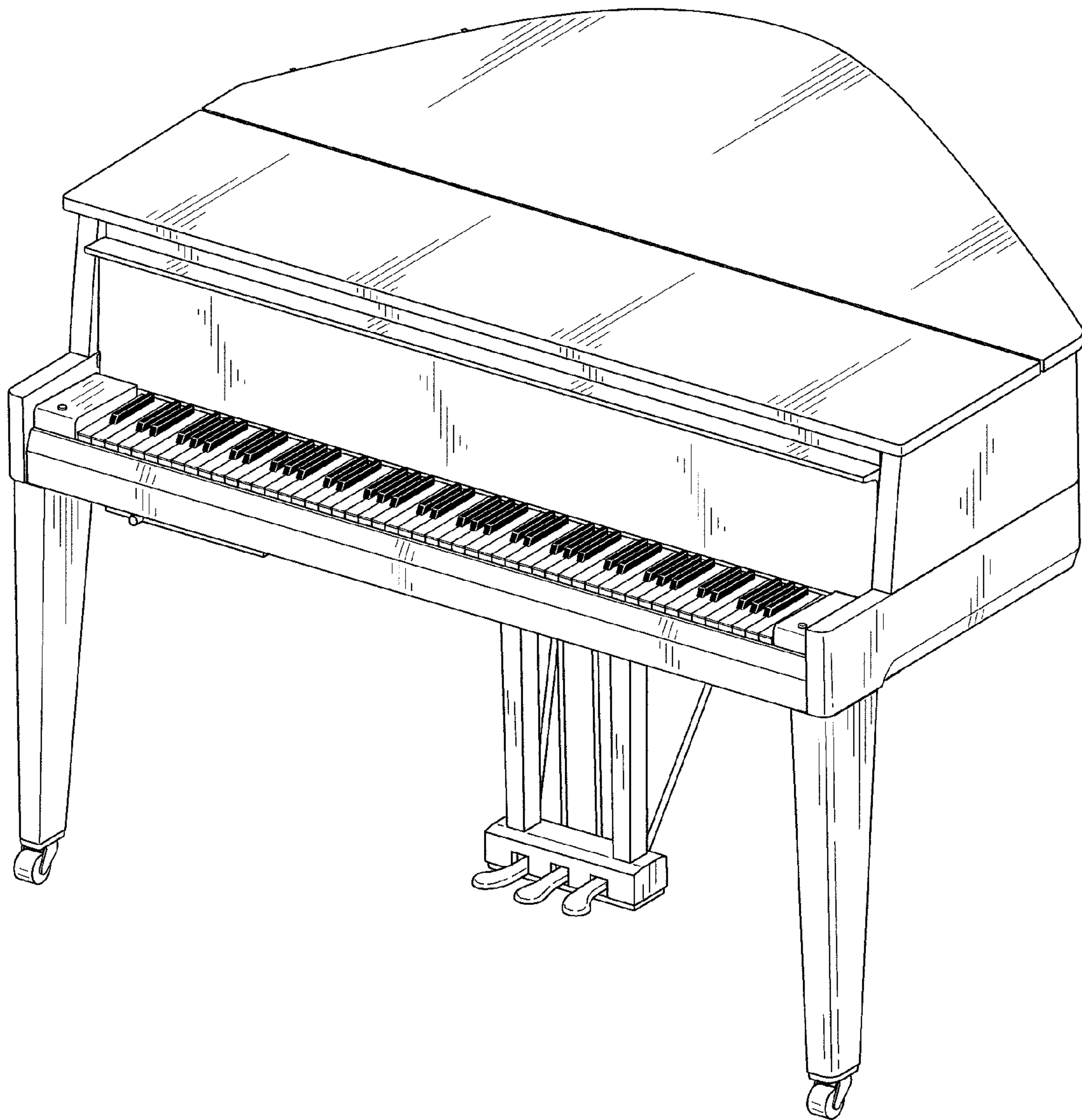


FIG. 1

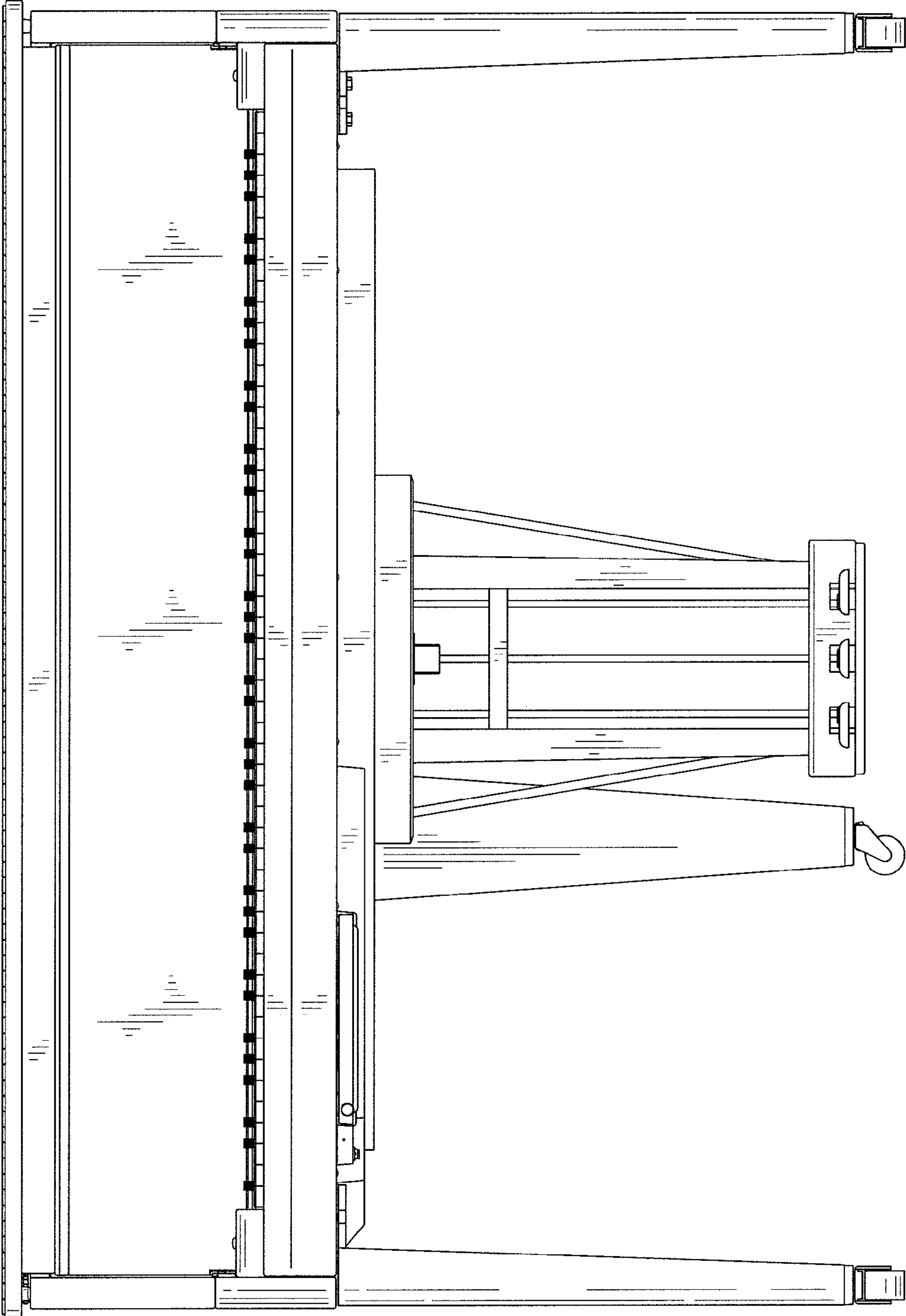


FIG. 2

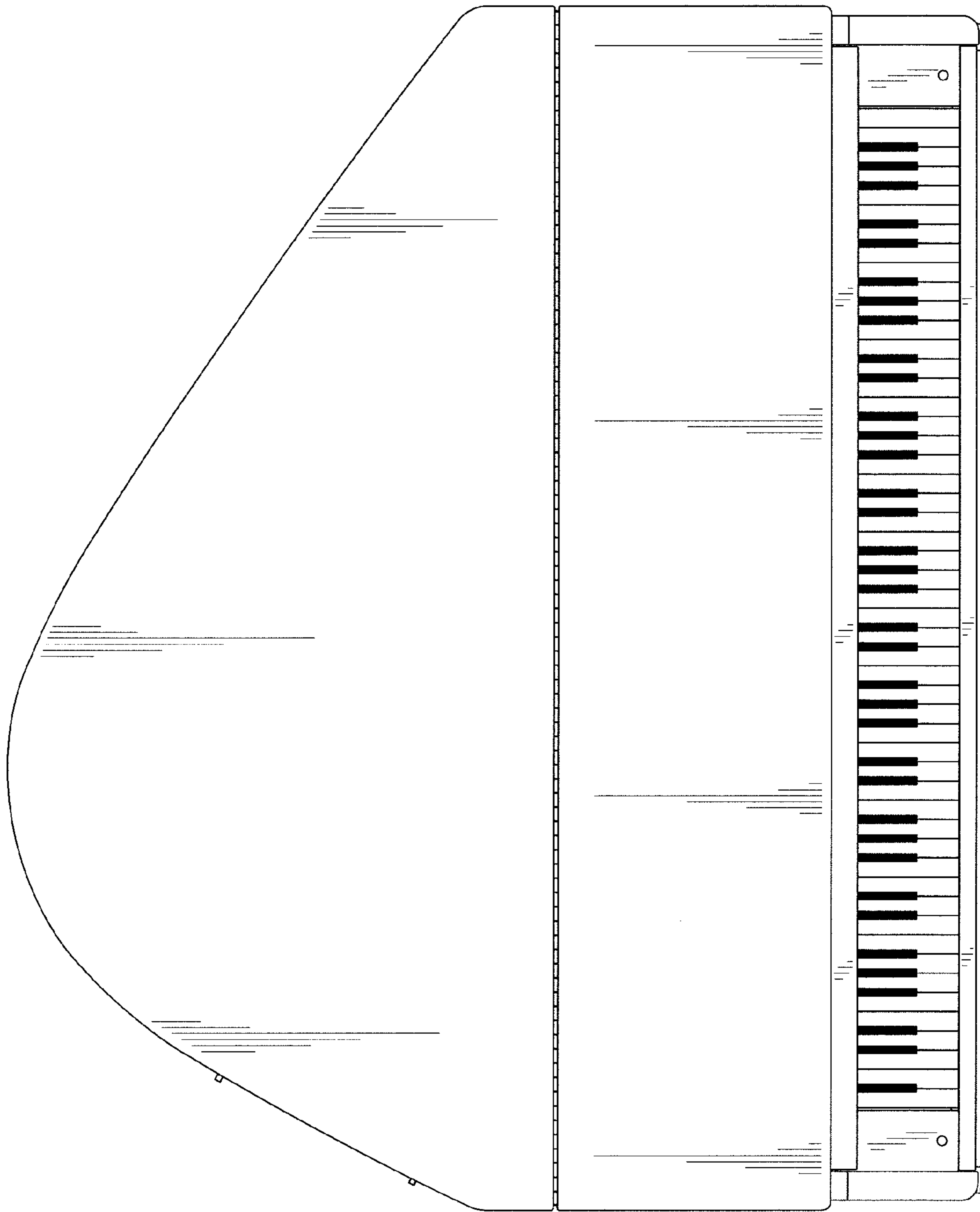


FIG. 3

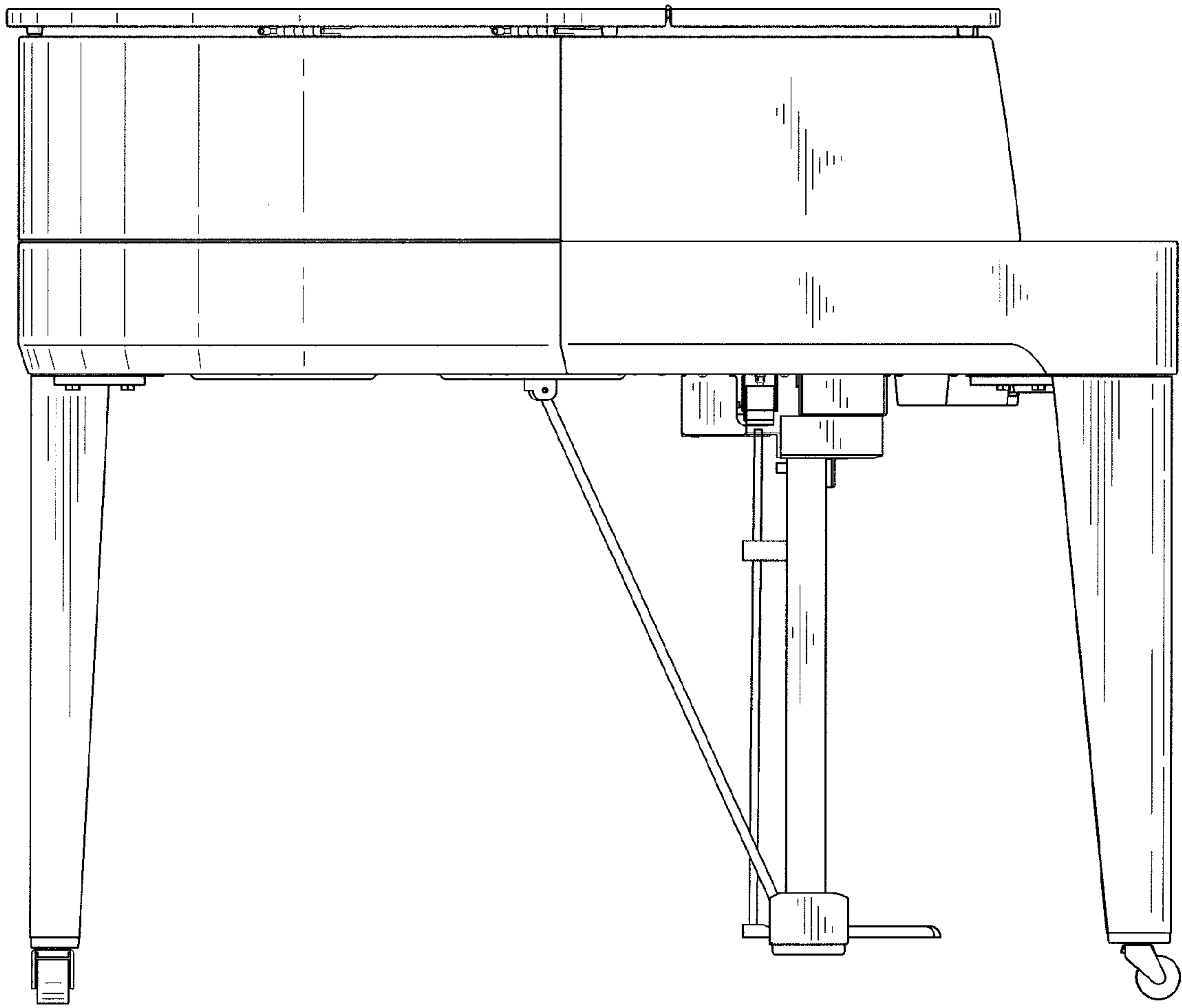


FIG. 4

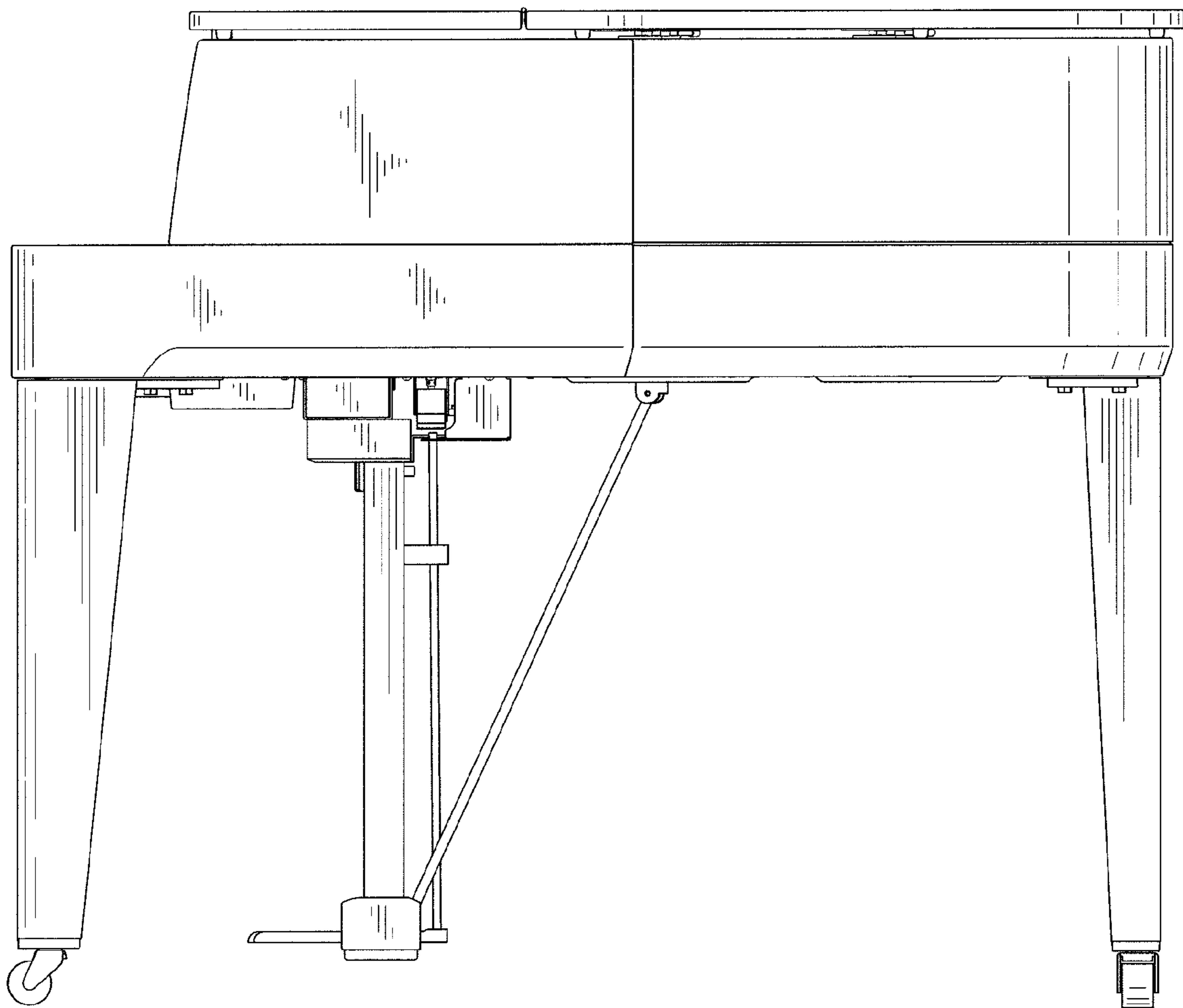


FIG. 5

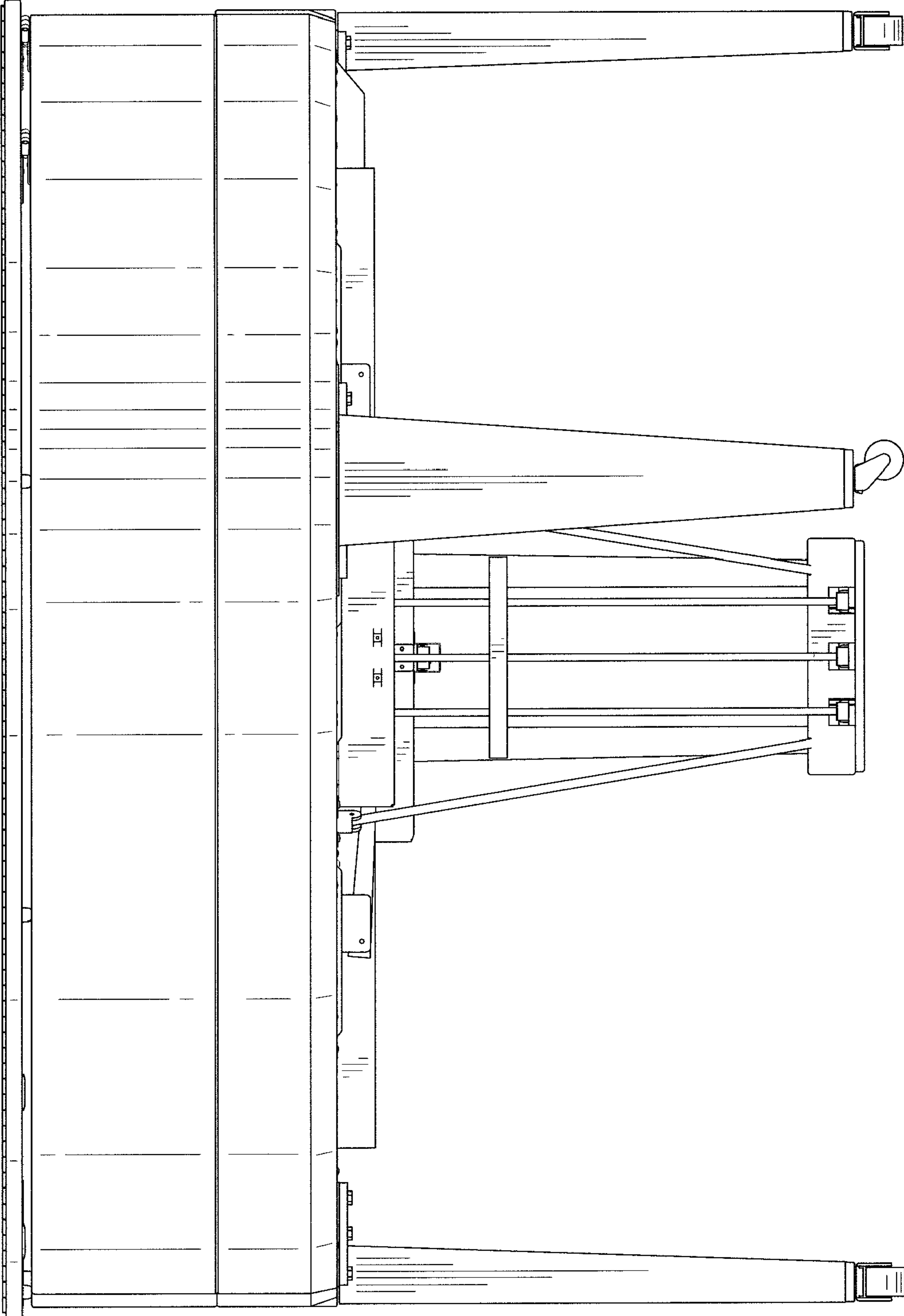


FIG. 6

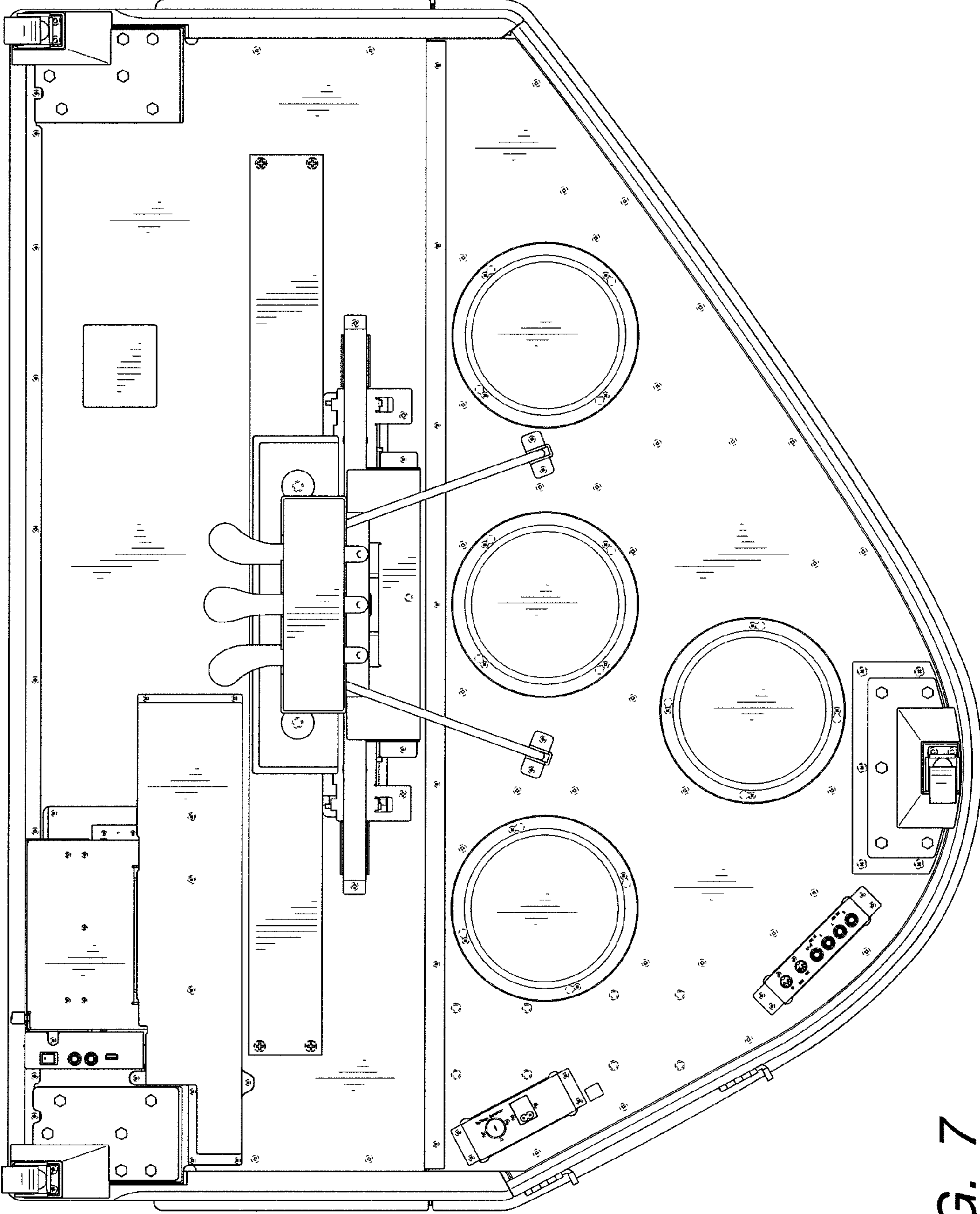


FIG. 7

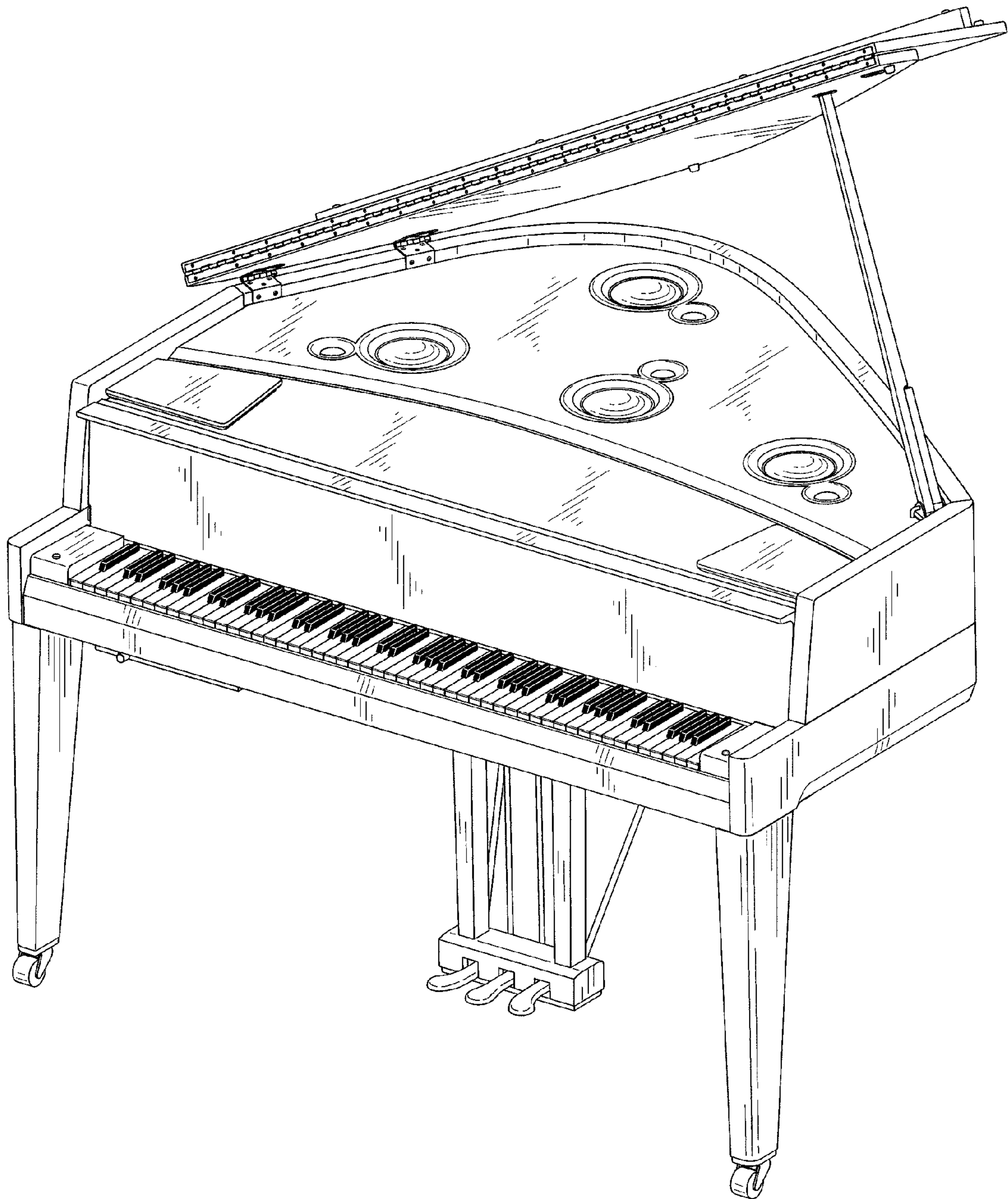


FIG. 8