



US00D609262S

(12) **United States Design Patent**  
**Tainaka**

(10) **Patent No.:** **US D609,262 S**

(45) **Date of Patent:** **\*\* Feb. 2, 2010**

(54) **DIGITAL CAMERA**

(75) Inventor: **Daisuke Tainaka**, Hachioji (JP)

(73) Assignee: **Olympus Imaging Corp.**, Tokyo (JP)

(\*\*) Term: **14 Years**

(21) Appl. No.: **29/325,291**

(22) Filed: **Sep. 29, 2008**

(30) **Foreign Application Priority Data**

Aug. 7, 2008 (JP) ..... 2008-020519

(51) **LOC (9) Cl.** ..... **16-01**

(52) **U.S. Cl.** ..... **D16/219**

(58) **Field of Classification Search** ..... D16/200–204,  
D16/208, 212, 218, 219; 348/373–376; 358/909.1;  
396/349, 448, 535–541

See application file for complete search history.

(56) **References Cited**

**U.S. PATENT DOCUMENTS**

D541,836 S \* 5/2007 Ina et al. .... D16/219  
D546,861 S \* 7/2007 Ina et al. .... D16/219  
D547,350 S \* 7/2007 Tainaka ..... D16/219  
D560,704 S \* 1/2008 Naito et al. .... D16/219  
D565,074 S \* 3/2008 Shimobayashi ..... D16/219

**OTHER PUBLICATIONS**

Japanese Office Action dated Feb. 10, 2009 (2 pages), and English translation thereof (1 page) issued in counterpart Japanese Design Application No. 2008-020518 of related U.S. Appl. No. 29/325,294.

Sony Corp., Sony Cyber-shot | DSC-T20, published in <http://www.sony.jp/products/Consumer/DSC/DSC-T20/style.html>.

\* cited by examiner

*Primary Examiner*—Adir Aronovich

(74) *Attorney, Agent, or Firm*—Frishauf, Holtz, Goodman & Chick, P.C.

(57) **CLAIM**

The ornamental design for a digital camera, as shown and described.

**DESCRIPTION**

FIG. 1 is front, top and right side perspective view of a digital camera with the lens cover in an open position showing my new design;

FIG. 2 is a front elevational view thereof, with the lens cover in a closed position;

FIG. 3 is a rear elevational view thereof;

FIG. 4 is a top plan view thereof;

FIG. 5 is a bottom plan view thereof;

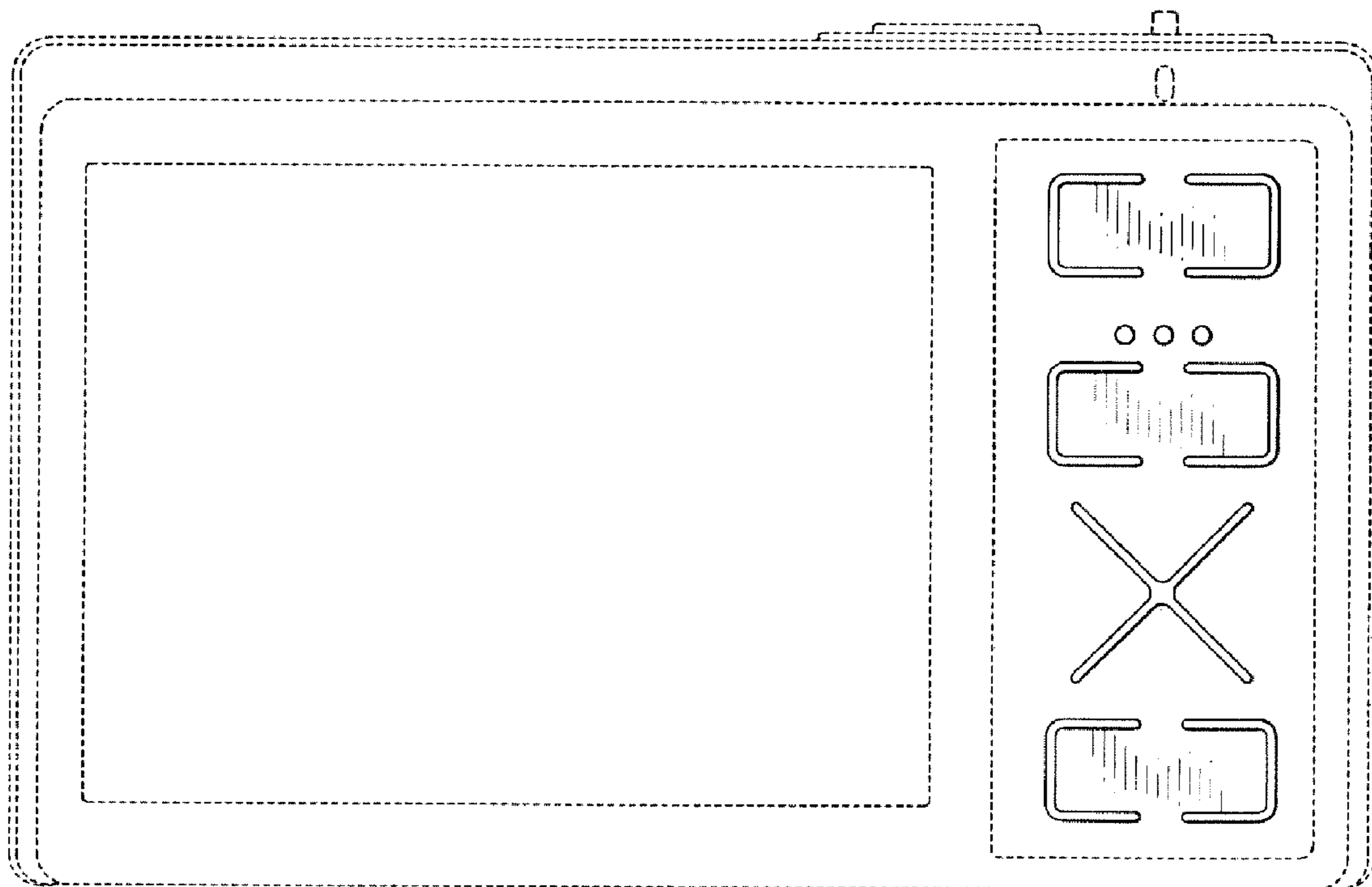
FIG. 6 is a right side elevational view thereof;

FIG. 7 is a left side elevational view thereof; and,

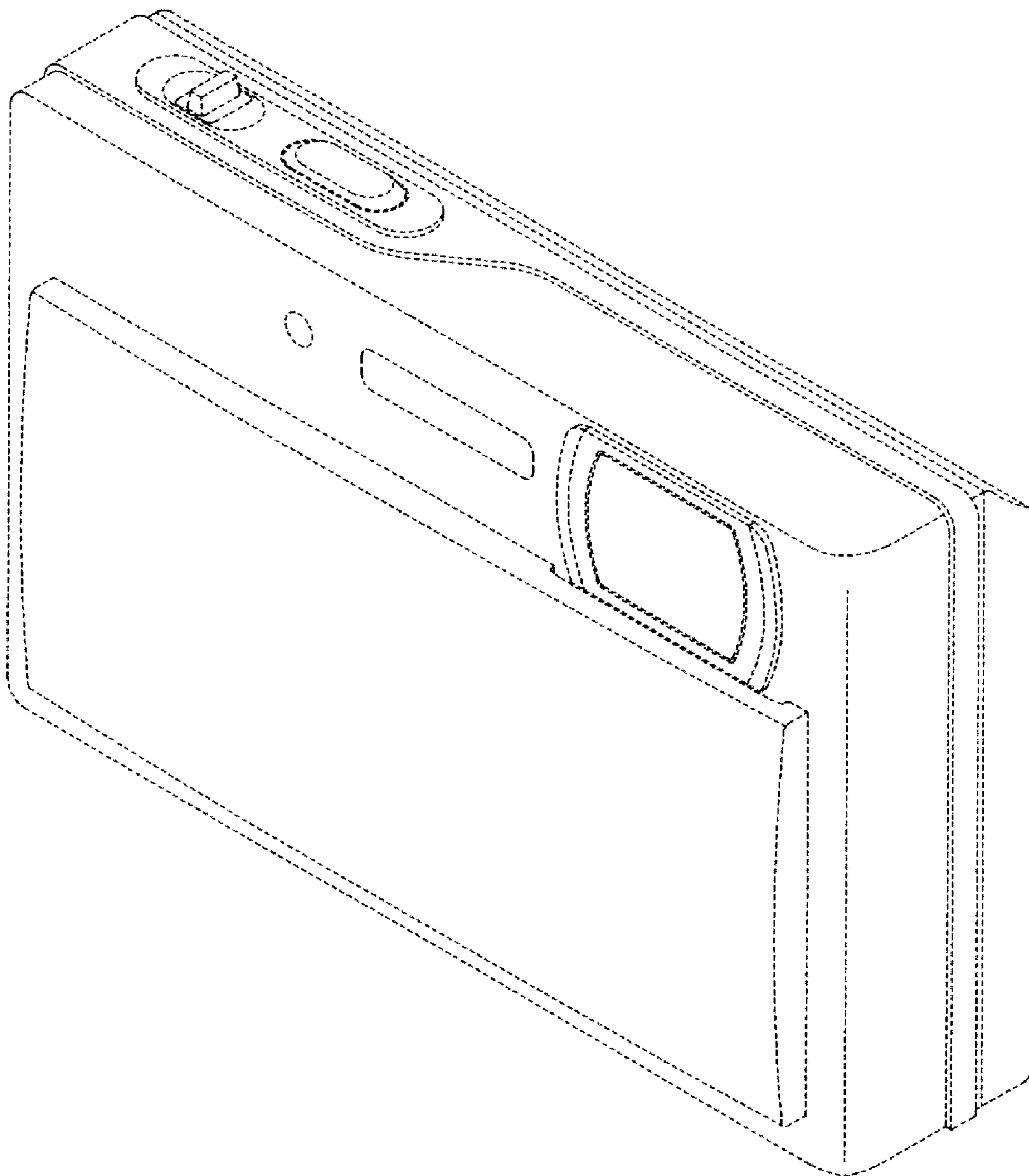
FIG. 8 is a front elevational view thereof, with the lens cover in an open position.

The broken line portions of the digital camera are shown to illustrate environment only and form no part of the claimed design.

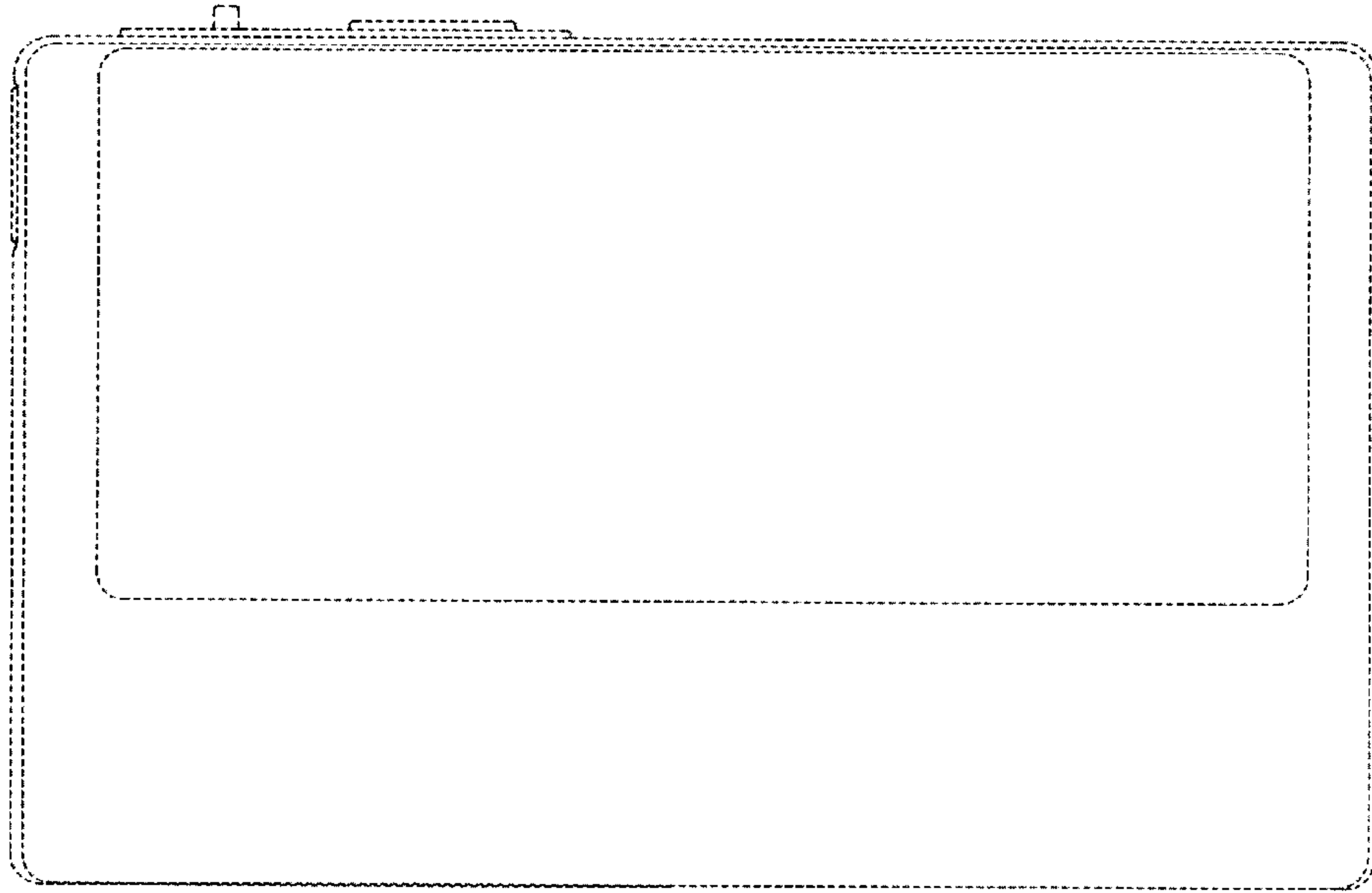
**1 Claim, 5 Drawing Sheets**



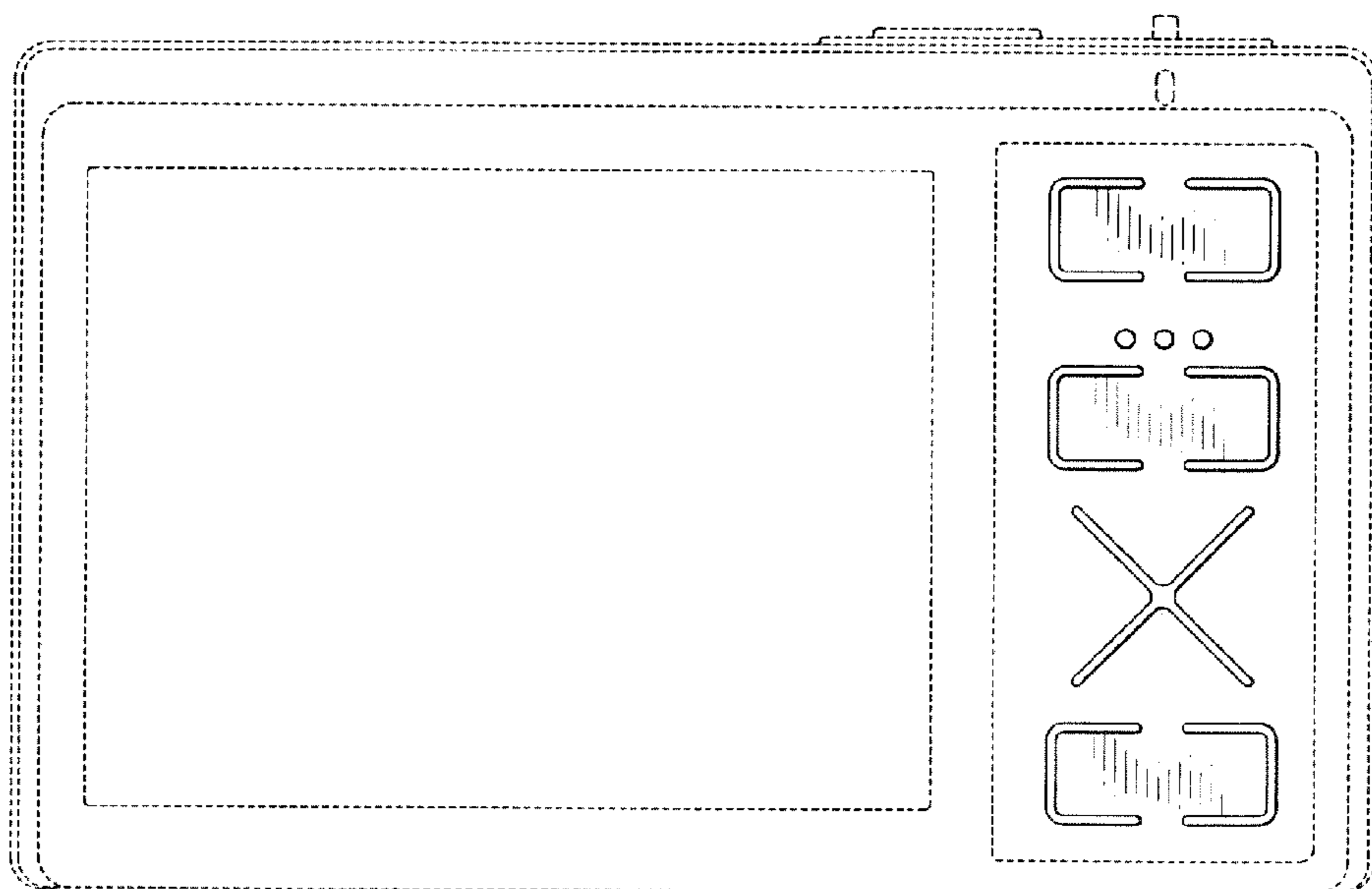
**FIG. 1**



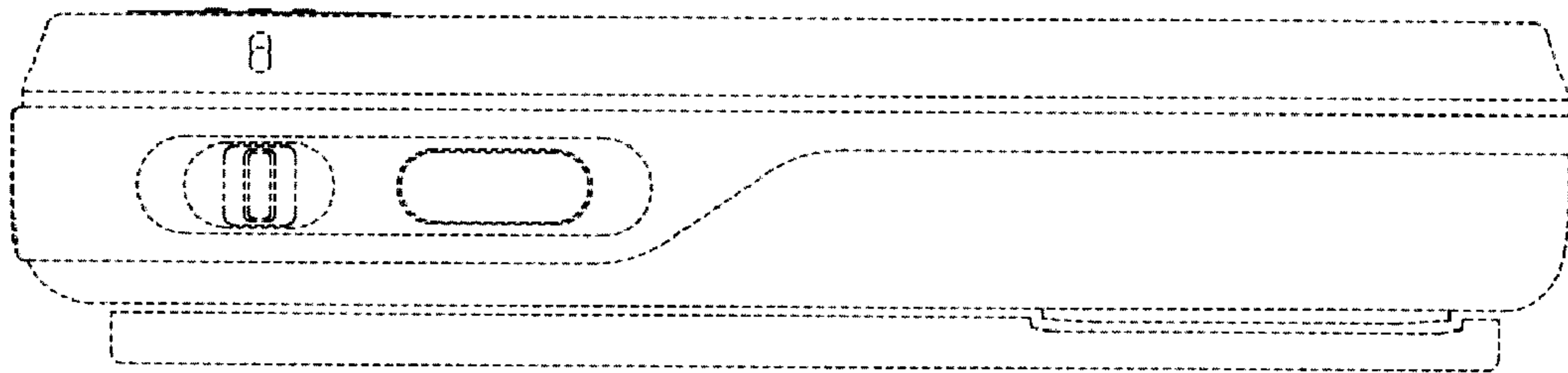
**FIG.2**



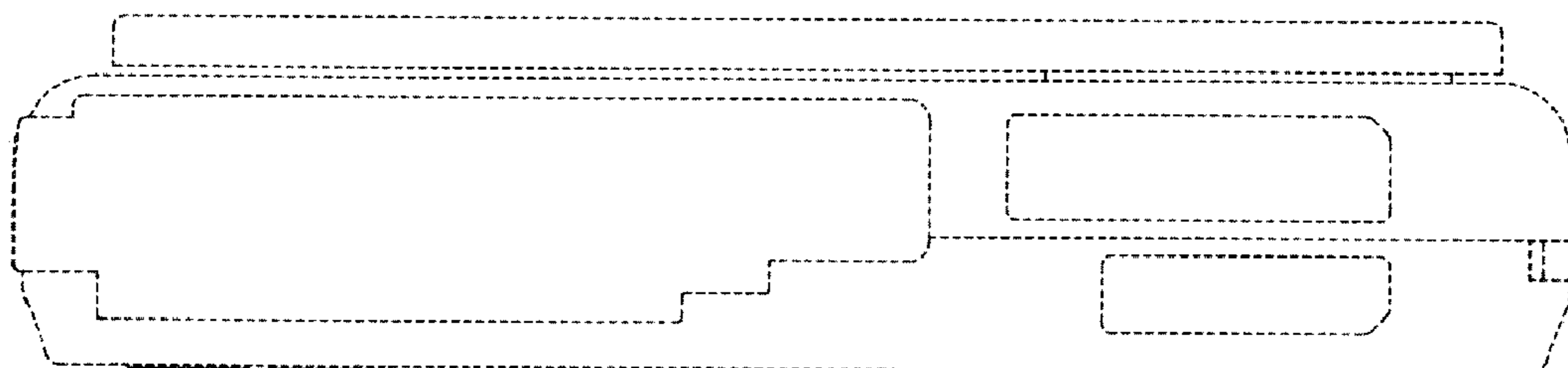
**FIG.3**



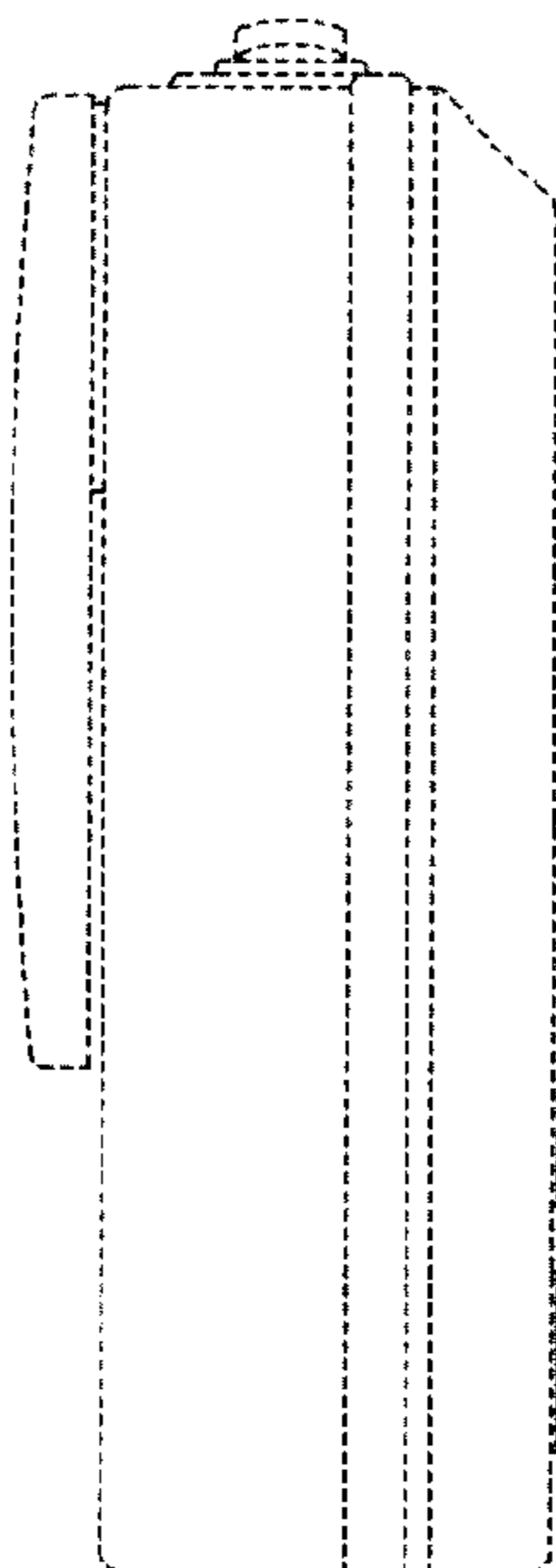
**FIG.4**



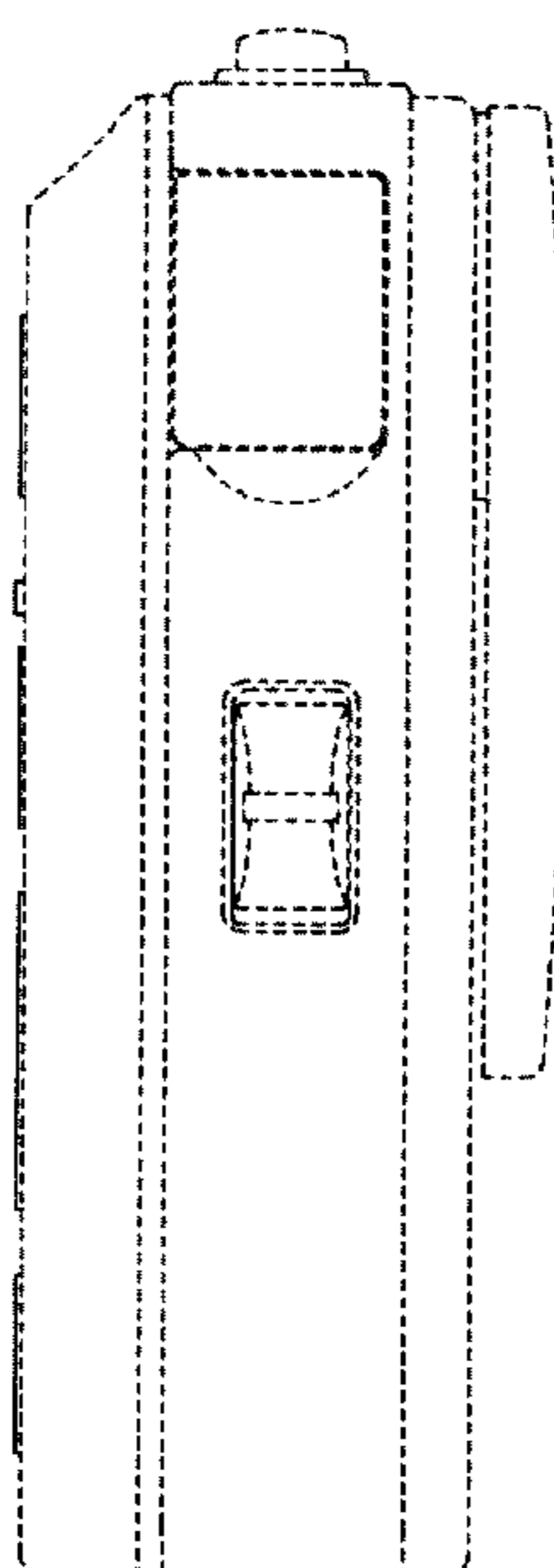
**FIG.5**



**FIG.6**



**FIG.7**



**FIG.8**

