



US00D609258S

(12) **United States Design Patent**
Mortimer

(10) **Patent No.:** **US D609,258 S**

(45) **Date of Patent:** **** Feb. 2, 2010**

(54) **ROBOT ARM**

(75) Inventor: **Robert Mortimer**, Crowthorne (GB)

(73) Assignee: **Prosurgings Limited**, High Wycombe, Bucks (GB)

(**) Term: **14 Years**

(21) Appl. No.: **29/326,363**

(22) Filed: **Oct. 16, 2008**

(30) **Foreign Application Priority Data**

Sep. 1, 2008 (EM) 000996343

(51) **LOC (9) Cl.** **15-09**

(52) **U.S. Cl.** **D15/199**

(58) **Field of Classification Search** D15/140,
D15/199; 33/503; 73/7; 74/490.01, 490.02,
74/490.03, 490.05; 219/124.34; 318/560;
364/191; 700/99; 702/191

See application file for complete search history.

(56) **References Cited**

U.S. PATENT DOCUMENTS

4,319,864	A *	3/1982	Kaufeldt	414/751.1
D268,033	S *	2/1983	Stackhouse	D15/199
D269,681	S *	7/1983	Morser et al.	D15/199
D274,182	S *	6/1984	Kato	D15/199
D293,324	S *	12/1987	Gotou et al.	D15/199
5,515,599	A *	5/1996	Best	29/705
D444,488	S *	7/2001	Selic et al.	D15/199
6,264,419	B1 *	7/2001	Schinzel	414/751.1

D449,057	S *	10/2001	Selic et al.	D15/199
D569,886	S *	5/2008	Larsson et al.	D15/199
2005/0217053	A1 *	10/2005	Kim et al.	15/250.21
2008/0028880	A1 *	2/2008	Asada et al.	74/469
2008/0056859	A1 *	3/2008	Inoue et al.	414/222.01
2009/0071281	A1 *	3/2009	Fisk et al.	74/490.03

* cited by examiner

Primary Examiner—Sandra Snapp

Assistant Examiner—Patricia Palasik

(74) *Attorney, Agent, or Firm*—Egbert Law Offices PLLC

(57) **CLAIM**

The ornamental design for a robot arm, as shown and described.

DESCRIPTION

FIG. 1 is an upper perspective view of the robot arm showing my design.

FIG. 2 is a side view thereof;

FIG. 3 is an opposite side view thereof;

FIG. 4 a bottom plan view thereof;

FIG. 5 is a top plan view thereof;

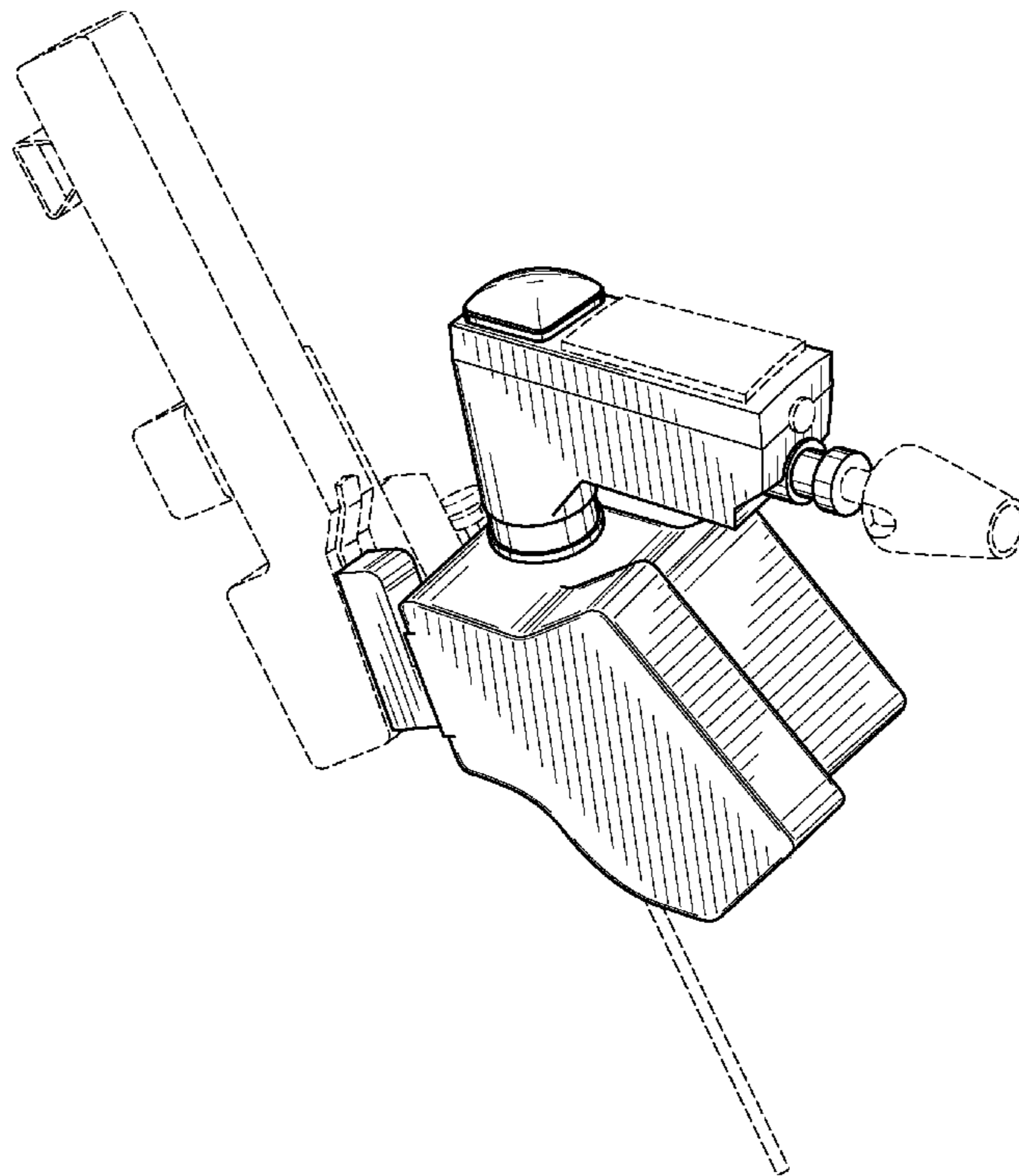
FIG. 6 is a front elevation view thereof;

FIG. 7 is a back view thereof; and,

FIG. 8 is another perspective view thereof, showing attachment to a robot arm in broken lines.

The portions shown in broken lines are for illustrative purposes only and form no part of the claimed design.

1 Claim, 4 Drawing Sheets



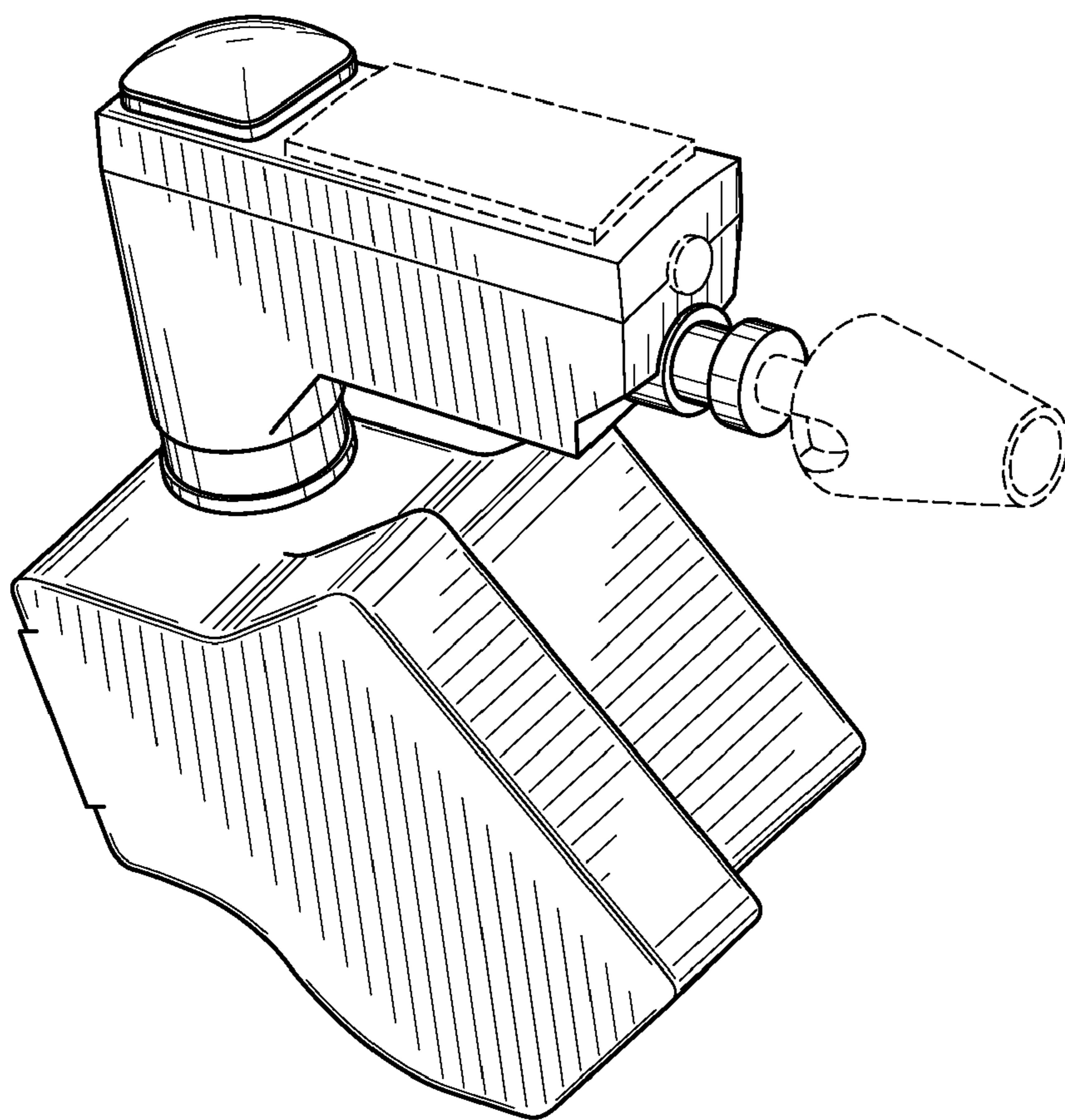


FIG. 1

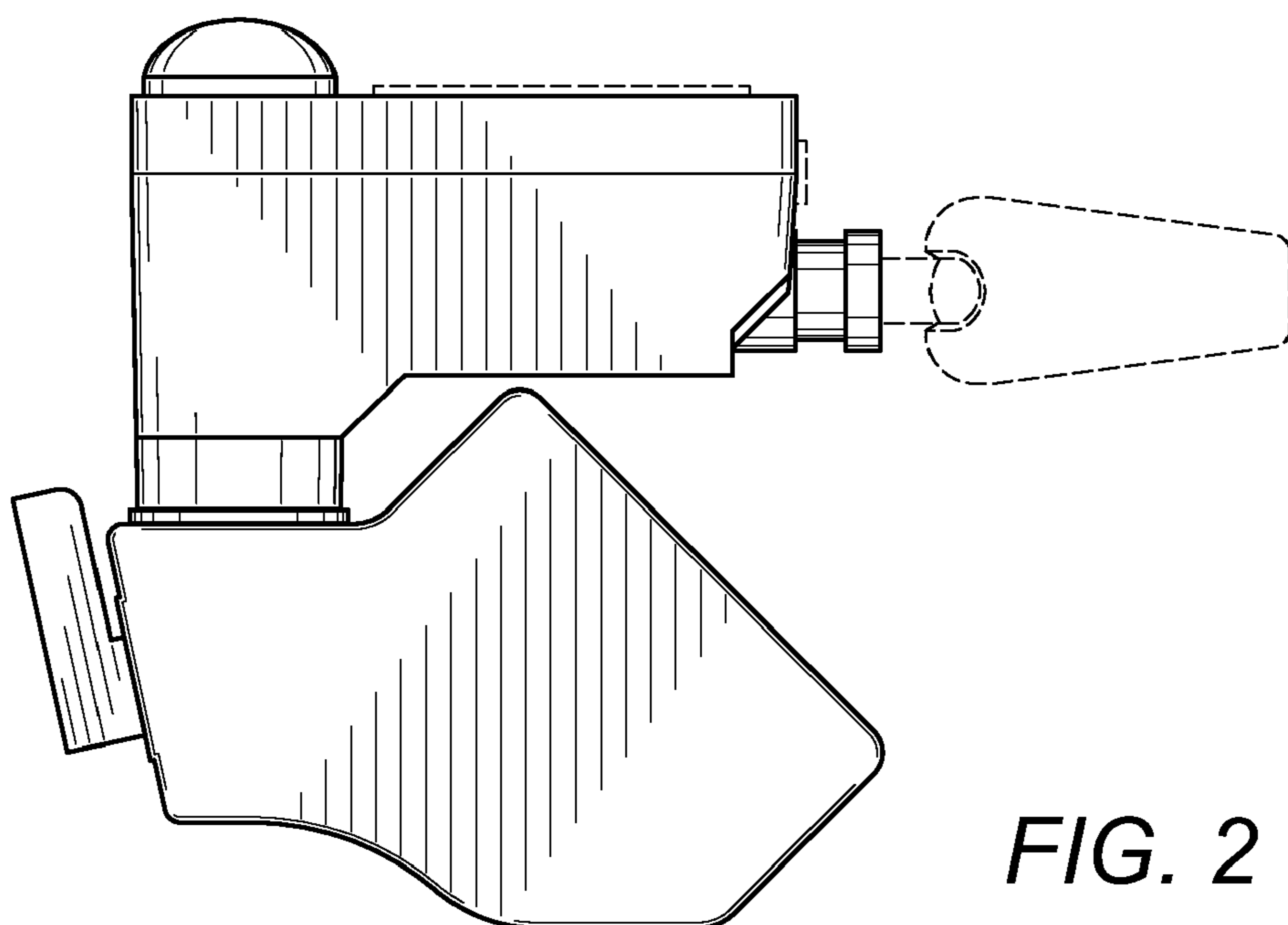


FIG. 2

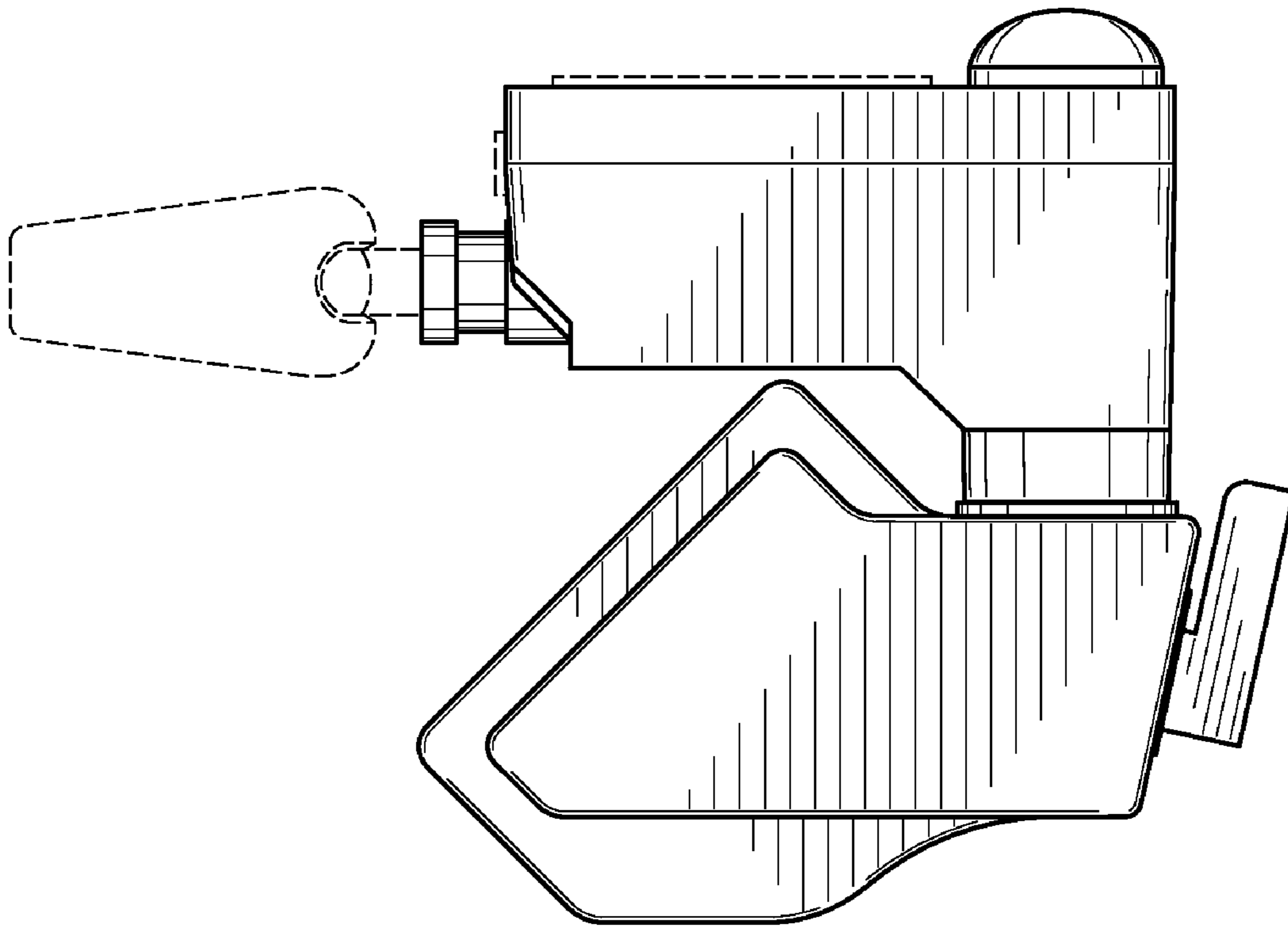


FIG. 3

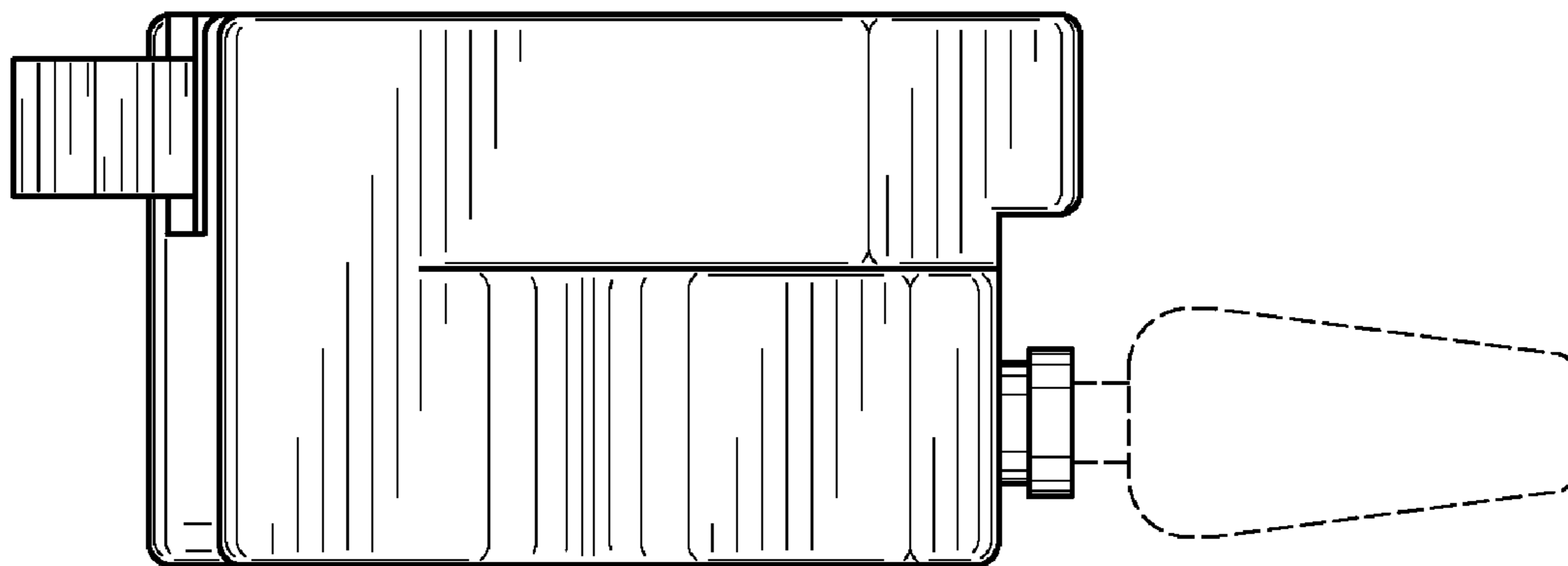


FIG. 4

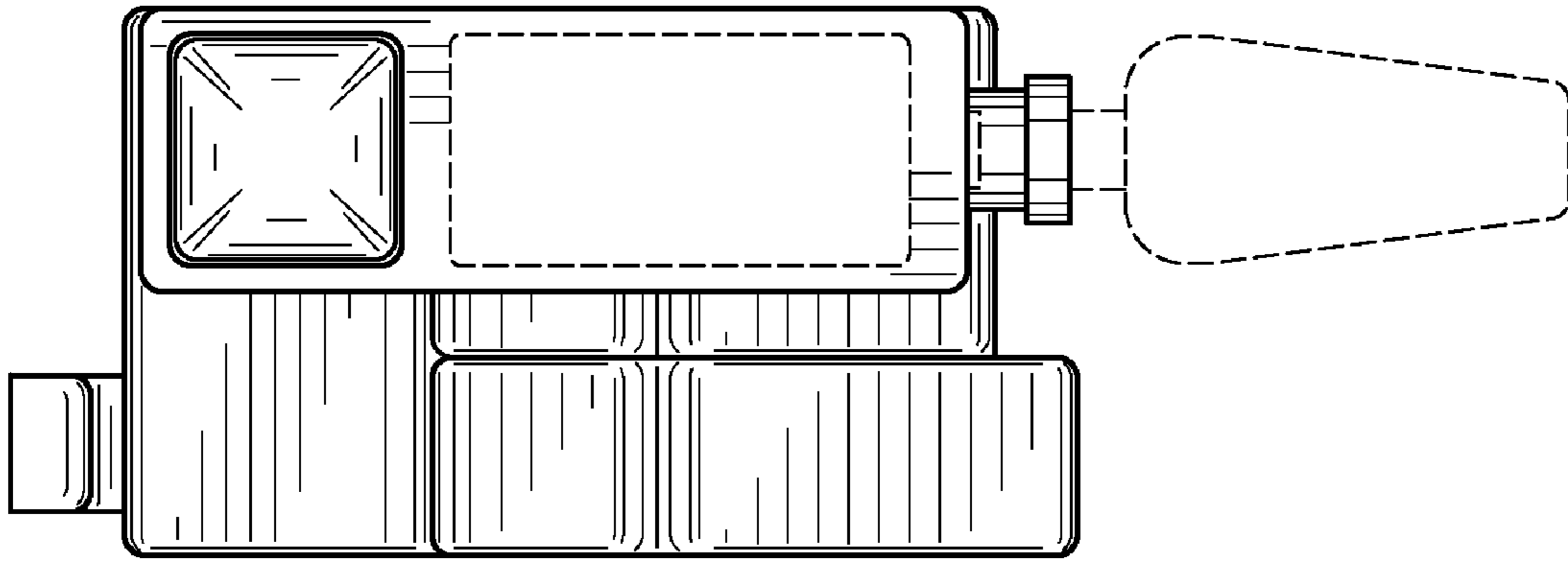


FIG. 5

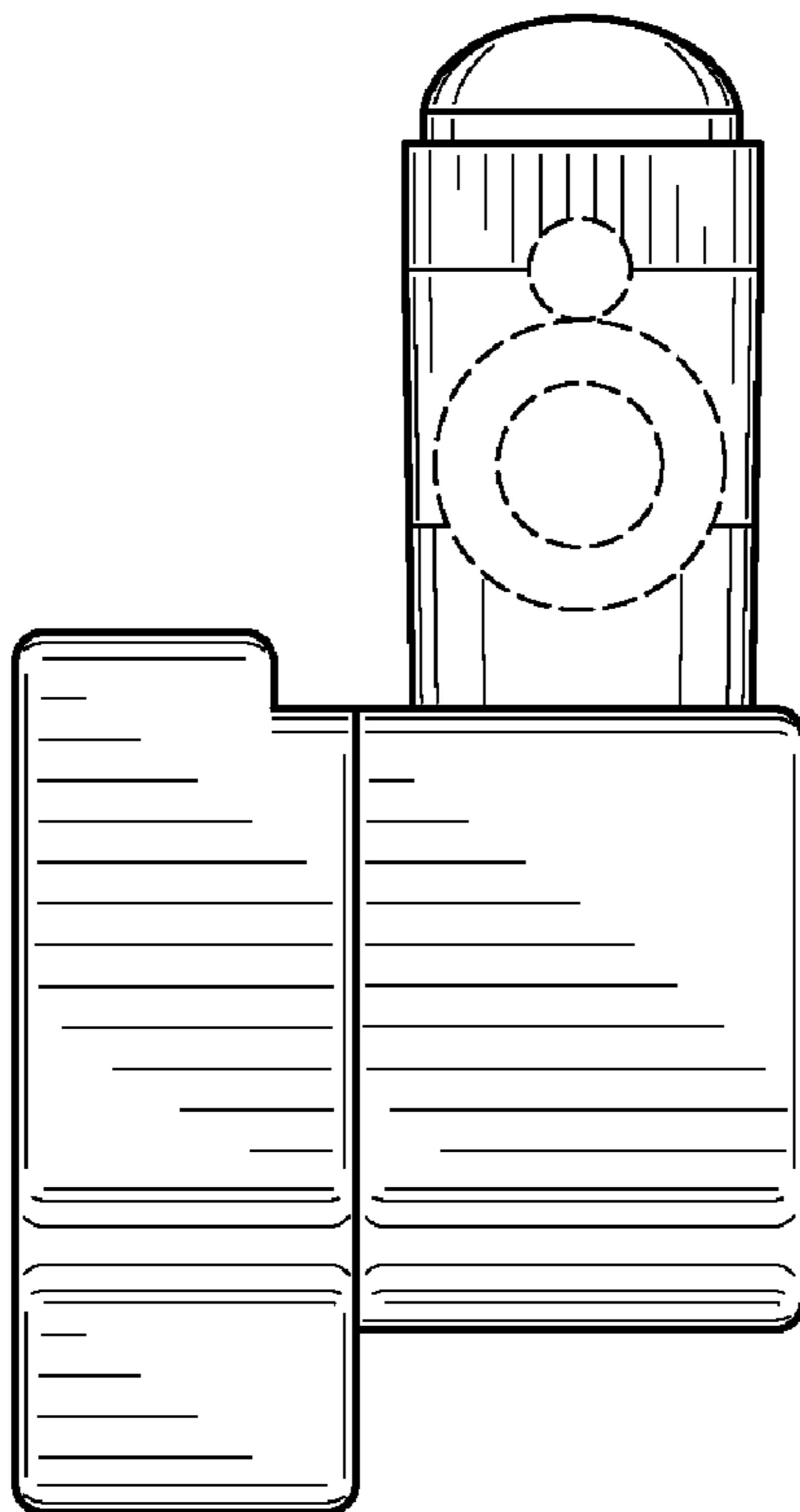


FIG. 6

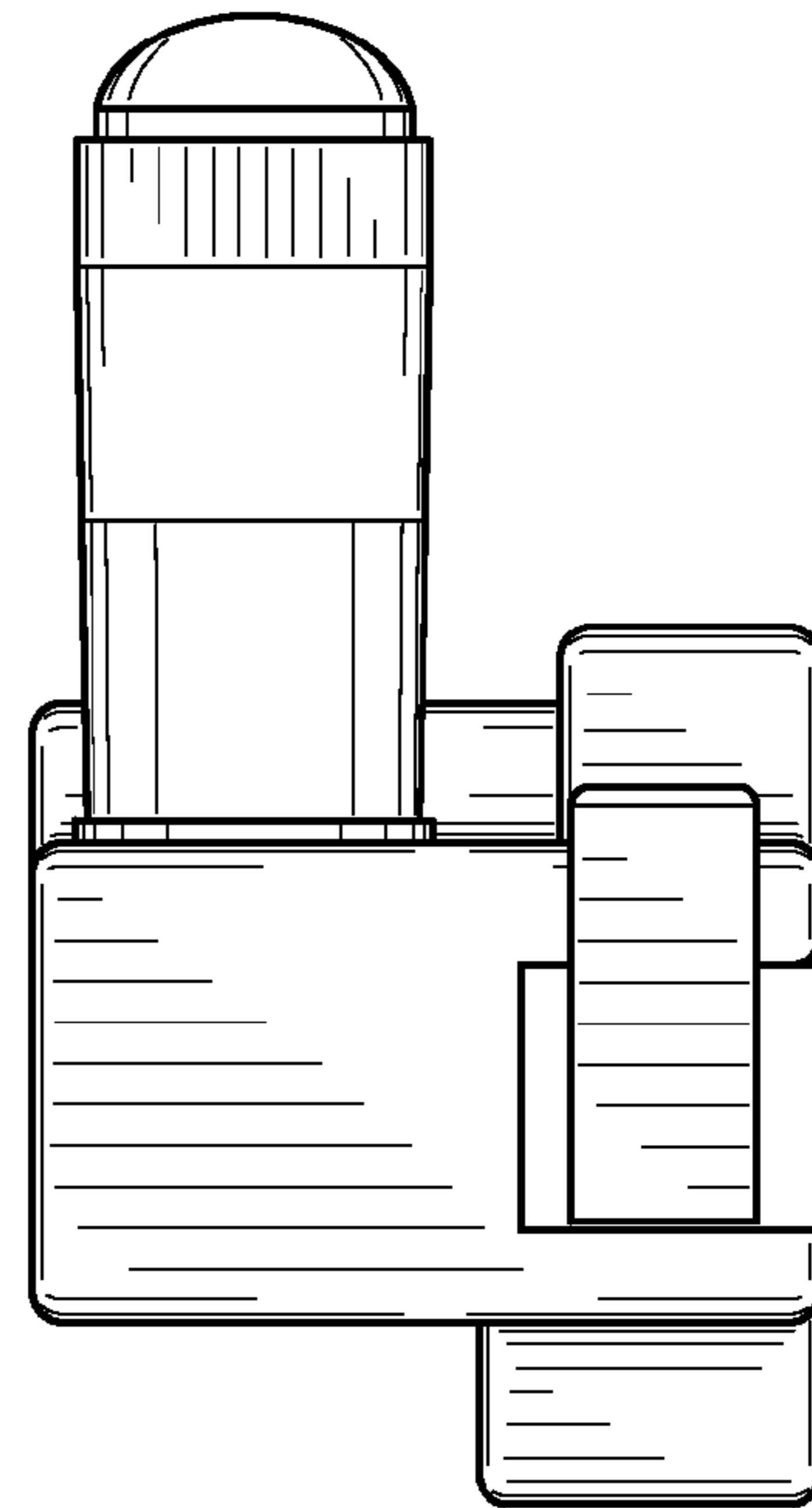


FIG. 7

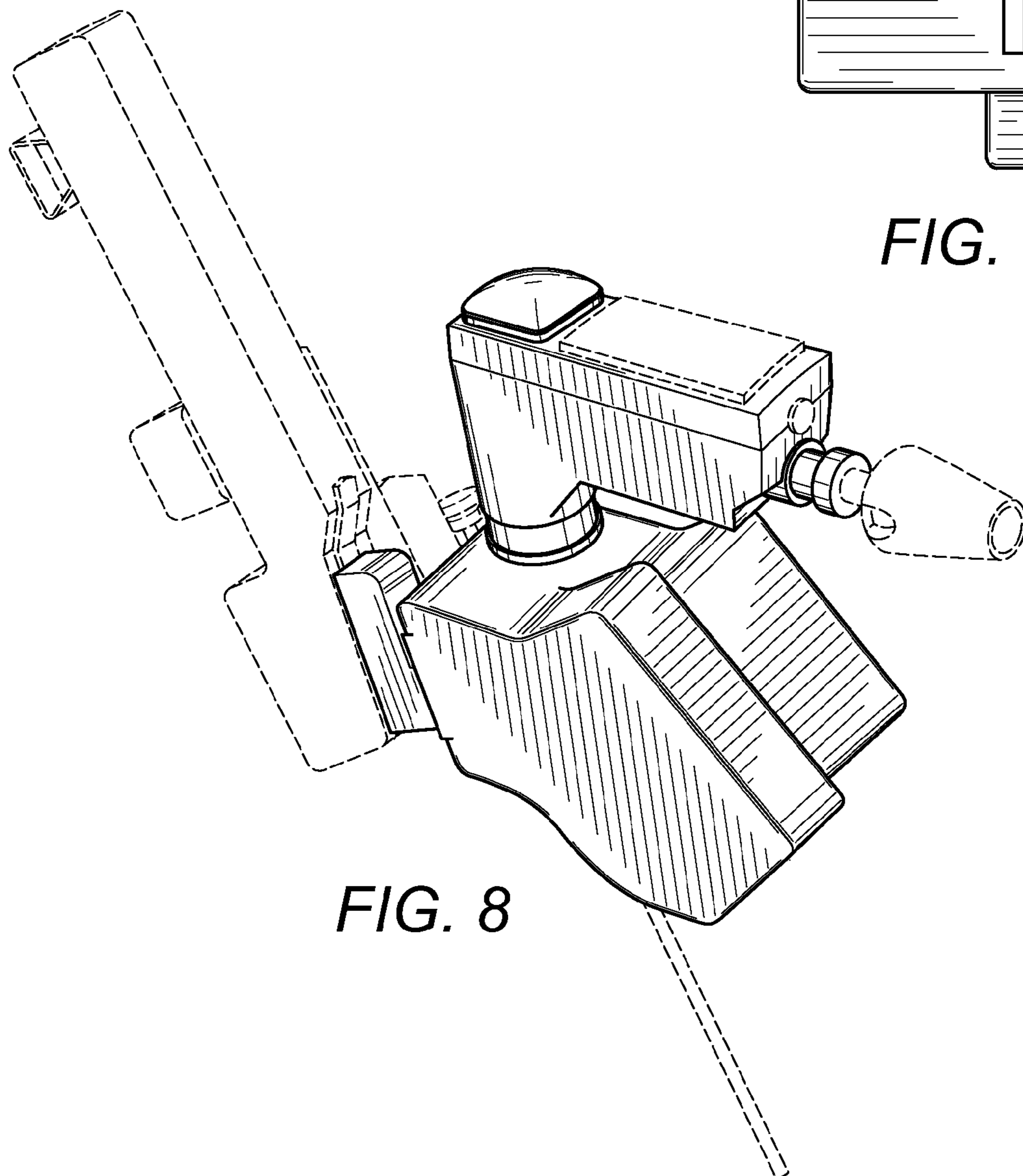


FIG. 8