



US00D609256S

(12) **United States Design Patent**
Hauenstein

(10) **Patent No.:** **US D609,256 S**

(45) **Date of Patent:** **** Feb. 2, 2010**

(54) **DIAMOND SEGMENT**

(75) Inventor: **Hansruedi Hauenstein**, Zunzgen (CH)

(73) Assignee: **Airtec AG**, Zunzgen (CH)

(**) Term: **14 Years**

(21) Appl. No.: **29/330,885**

(22) Filed: **Jan. 15, 2009**

(30) **Foreign Application Priority Data**

Aug. 22, 2008 (CH) 135405

(51) **LOC (9) Cl.** **15-09**

(52) **U.S. Cl.** **D15/139**

(58) **Field of Classification Search** D15/138,
D15/139, 140; 407/35, 42, 112-119

See application file for complete search history.

(56) **References Cited**

U.S. PATENT DOCUMENTS

3,745,719 A * 7/1973 Oswald 451/548

D296,107 S * 6/1988 Andersson D15/139
5,683,143 A * 11/1997 Peterson et al. 299/41.1
D592,684 S * 5/2009 Park D15/126
D595,320 S * 6/2009 Park D15/126
2006/0116060 A1 * 6/2006 Thysell 451/548

* cited by examiner

Primary Examiner—Sandra Snapp

Assistant Examiner—Patricia Palasik

(57) **CLAIM**

The ornamental design for a diamond segment, as shown and described.

DESCRIPTION

FIG. 1 is an top perspective view of an abrasive diamond segment showing my new design;

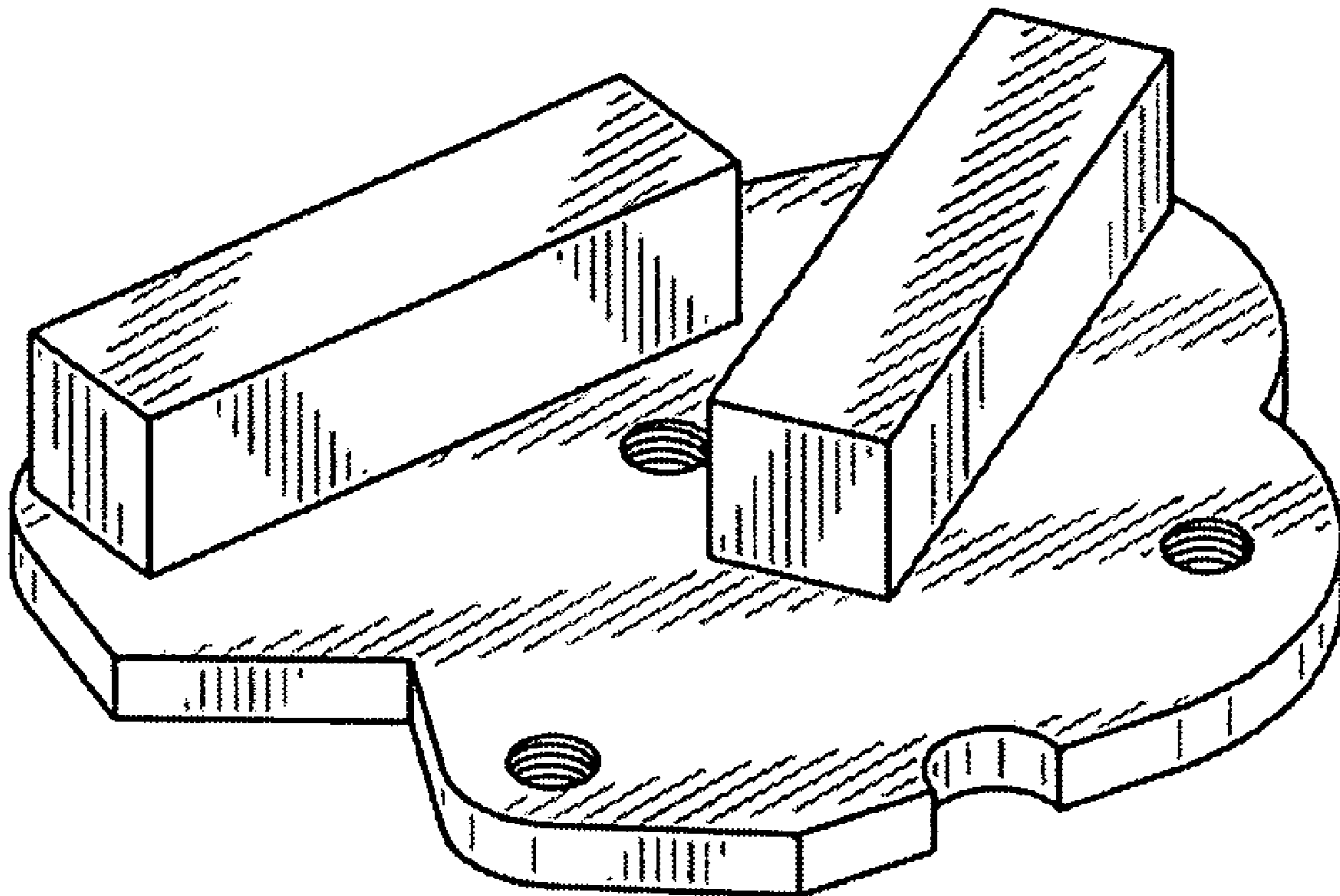
FIG. 2 is a top plan view of FIG. 1;

FIG. 3 is a bottom plan view of FIG. 1;

FIG. 4 side elevation view from the right of FIG. 2; and,

FIG. 5 is a front elevation view of FIG. 2.

1 Claim, 3 Drawing Sheets



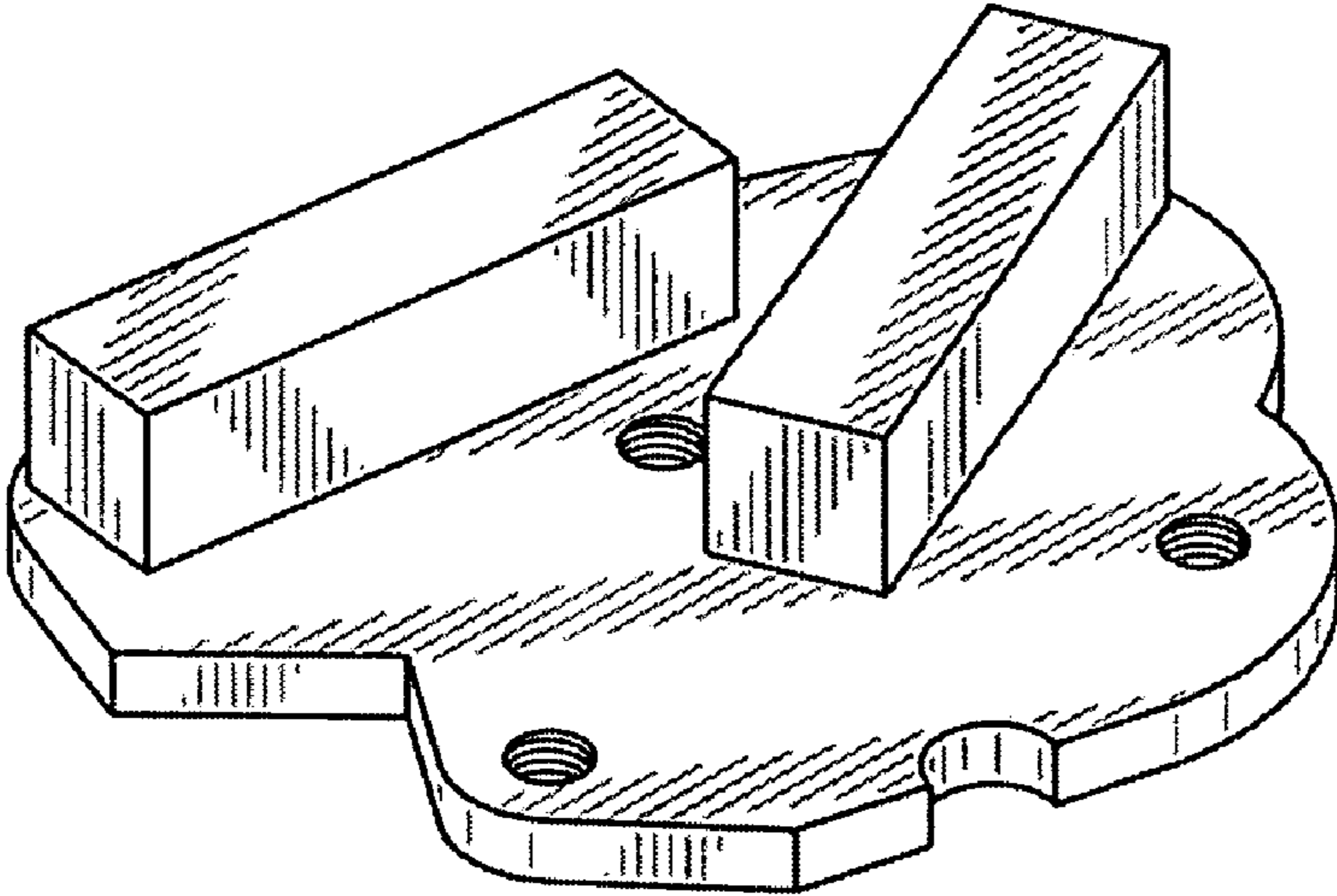


FIG. 1

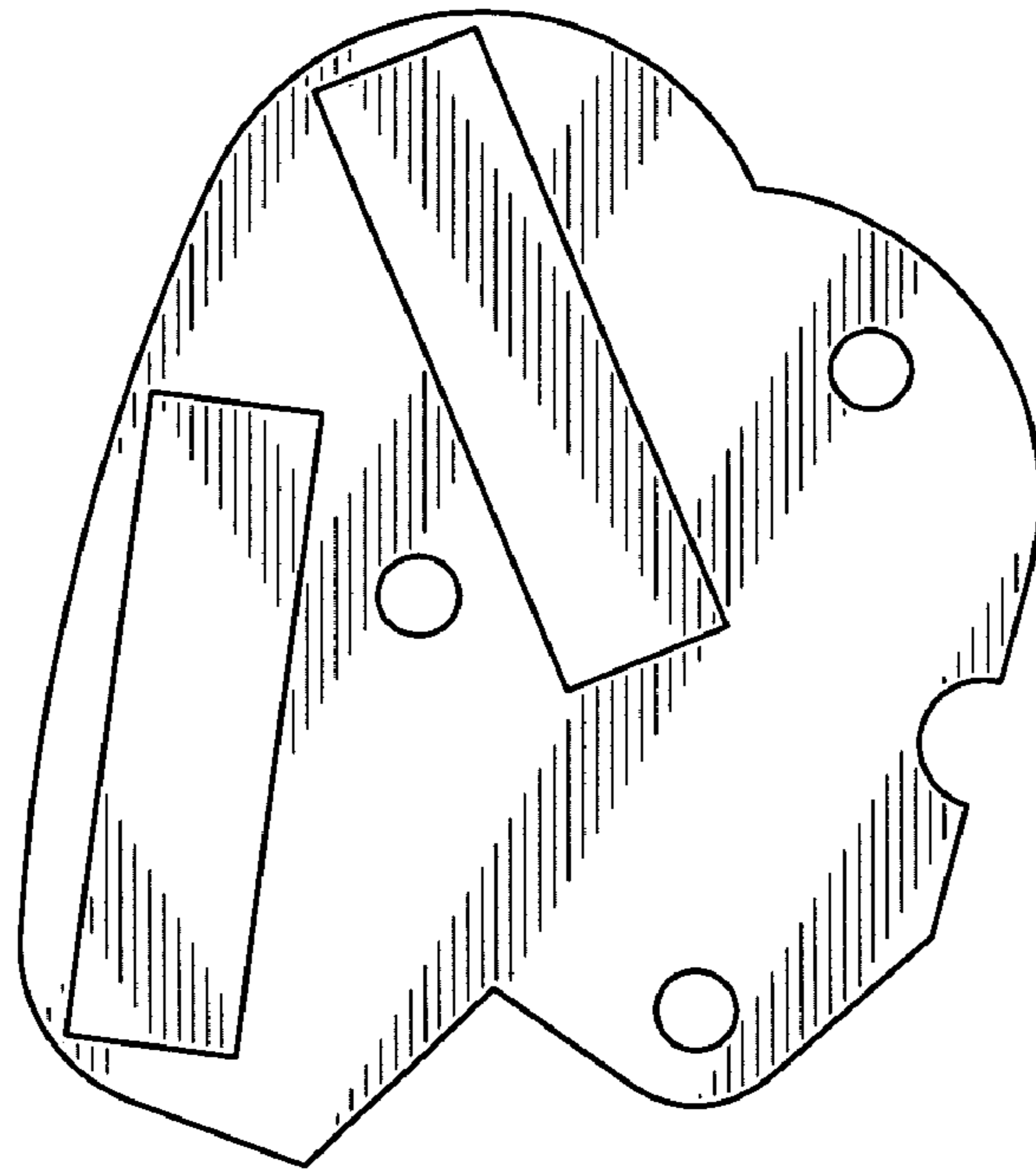


FIG. 2

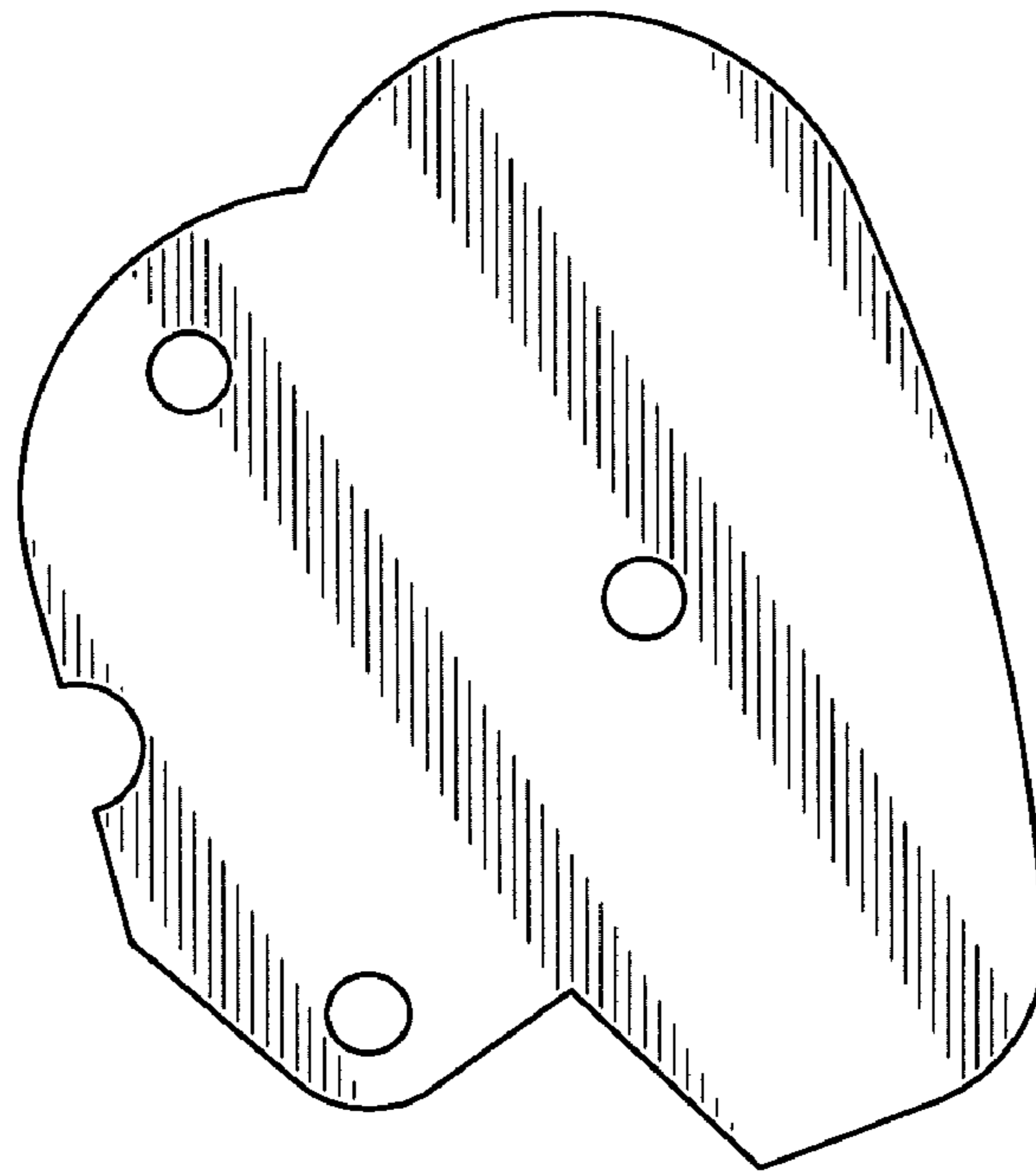


FIG. 3

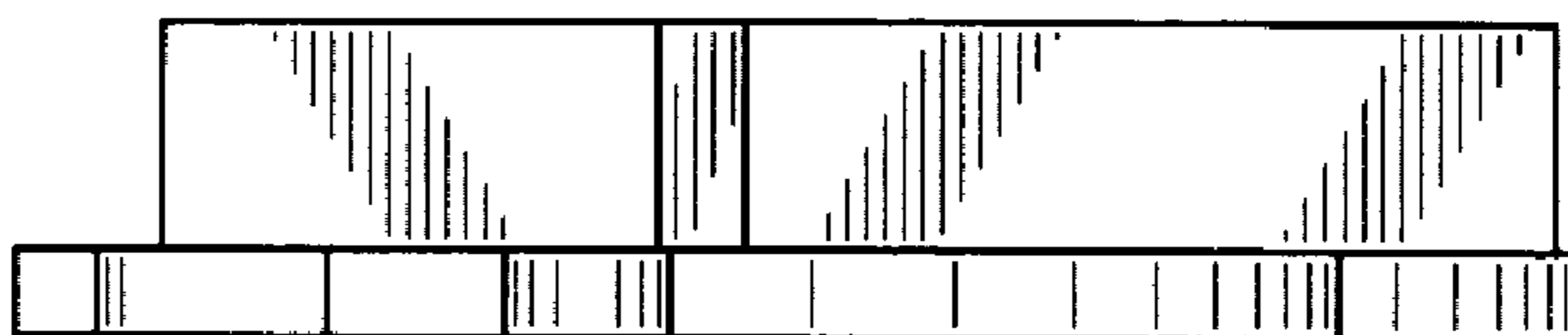


FIG. 4

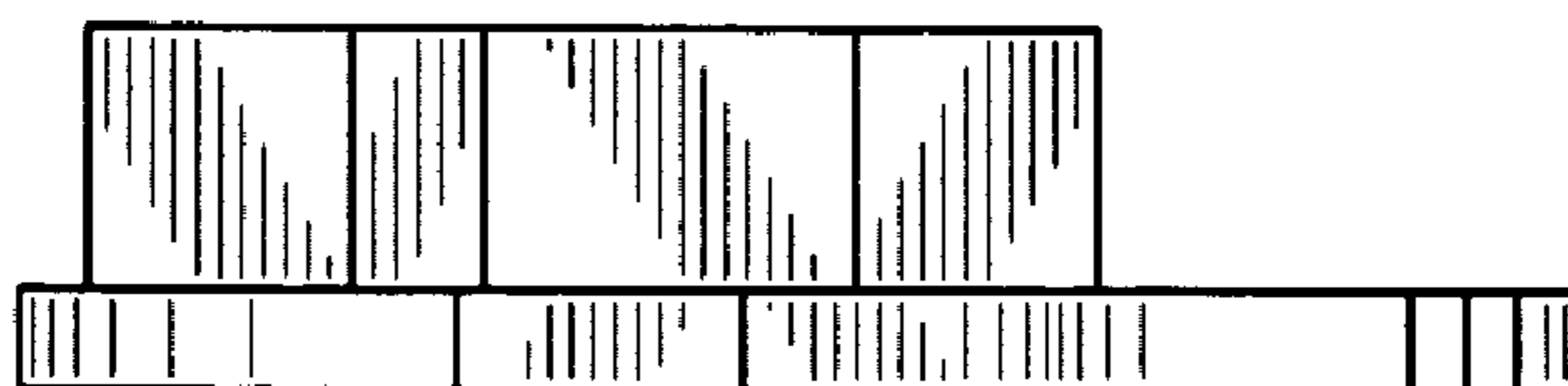


FIG. 5