



US00D609255S

(12) **United States Design Patent**  
**Bare et al.**

(10) **Patent No.:** **US D609,255 S**

(45) **Date of Patent:** **\*\* Feb. 2, 2010**

(54) **MIXING PADDLE**

(75) Inventors: **Rex O. Bare**, Lake Forest, CA (US);  
**Jeffrey C. Smith**, Costa Mesa, CA (US)

(73) Assignee: **IBIS Biosciences, Inc.**, Carlsbad, CA  
(US)

(\*\*) Term: **14 Years**

(21) Appl. No.: **29/328,150**

(22) Filed: **Nov. 19, 2008**

(51) **LOC (9) Cl.** ..... **15-09**

(52) **U.S. Cl.** ..... **D15/138**

(58) **Field of Classification Search** ..... D7/379,  
D7/412; D8/19; D15/138, 139, 140; D23/200;  
D24/220; 7/105, 151; 366/143, 149, 168.1,  
366/192, 279, 309, 312, 325.92, 326.1; 416/71  
See application file for complete search history.

(56) **References Cited**

U.S. PATENT DOCUMENTS

- 5,002,426 A \* 3/1991 Brown et al. .... 404/92
- 5,519,470 A \* 5/1996 Corrigan, Jr. .... 399/256
- 5,664,883 A \* 9/1997 Tomassini ..... 366/325.93
- D506,354 S \* 6/2005 Nguyen ..... D7/412

- 7,229,206 B2 \* 6/2007 Whitney ..... 366/129
- 2006/0171251 A1 \* 8/2006 Busick ..... 366/312
- 2008/0130406 A1 \* 6/2008 Rosso et al. .... 366/342
- 2008/0159068 A1 \* 7/2008 Kato ..... 366/325.92

\* cited by examiner

*Primary Examiner*—Sandra Snapp

*Assistant Examiner*—Patricia Palasik

(74) *Attorney, Agent, or Firm*—Casimir Jones S.C.

(57) **CLAIM**

The ornamental design for a mixing paddle, as shown and described.

**DESCRIPTION**

FIG. 1 is a top perspective view showing our new design;

FIG. 2 is a left side elevational view thereof;

FIG. 3 is a top plan view thereof;

FIG. 4 is a bottom plan view thereof;

FIG. 5 is a front elevational view thereof; and,

FIG. 6 is a rear elevational view thereof.

The broken lines in the drawings depict unclaimed environmental subject matter.

**1 Claim, 3 Drawing Sheets**

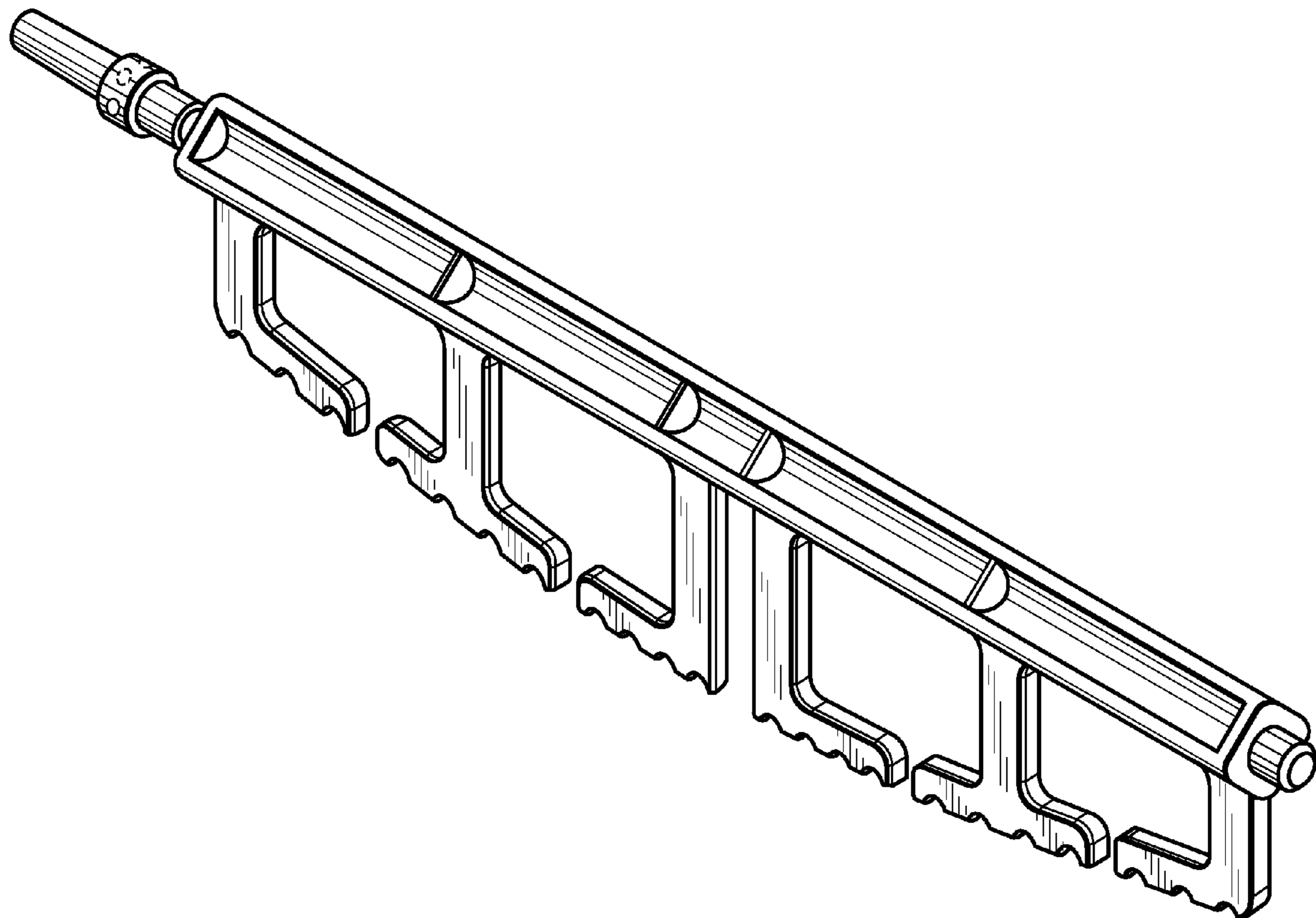


Fig. 1

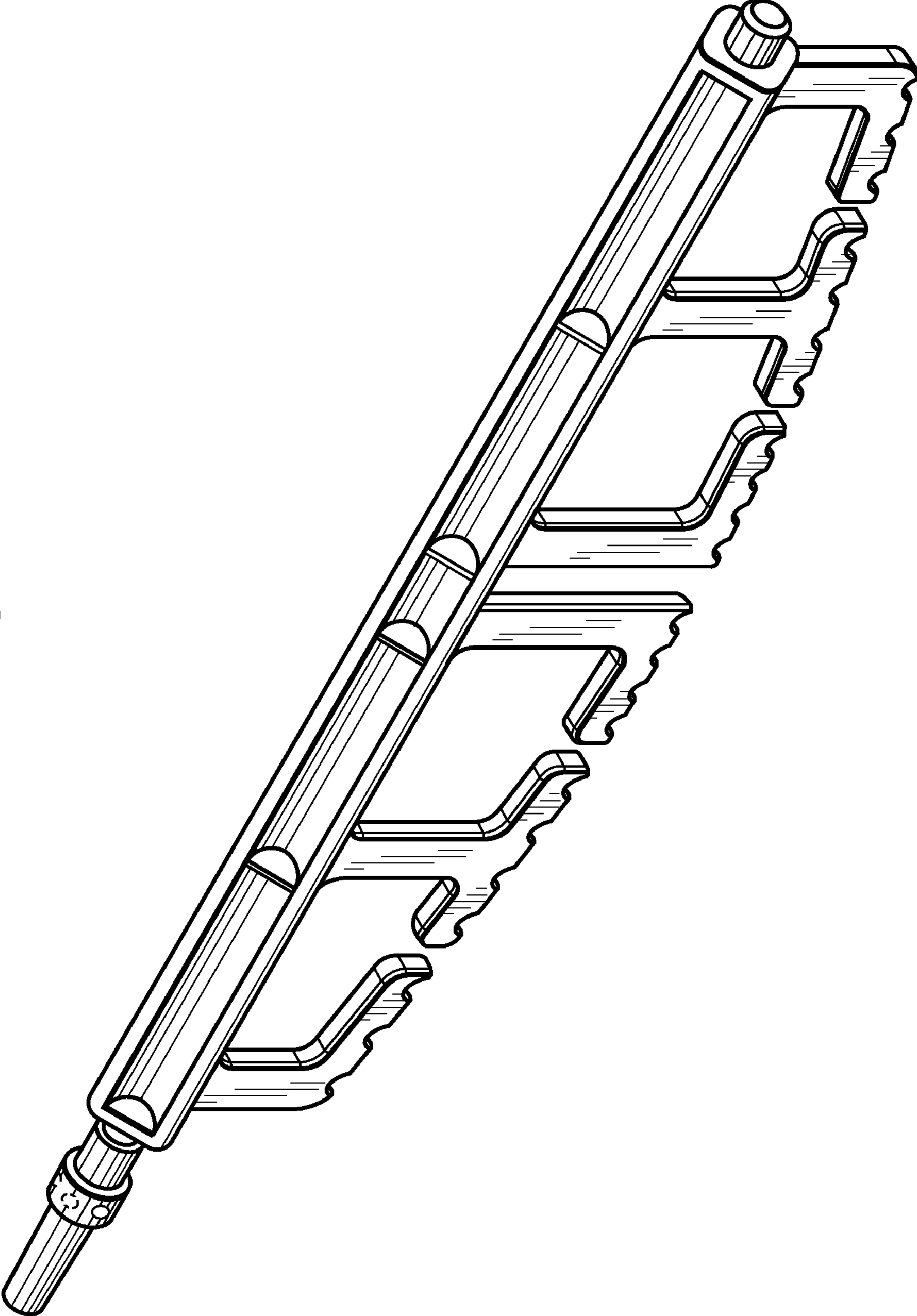


Fig. 2

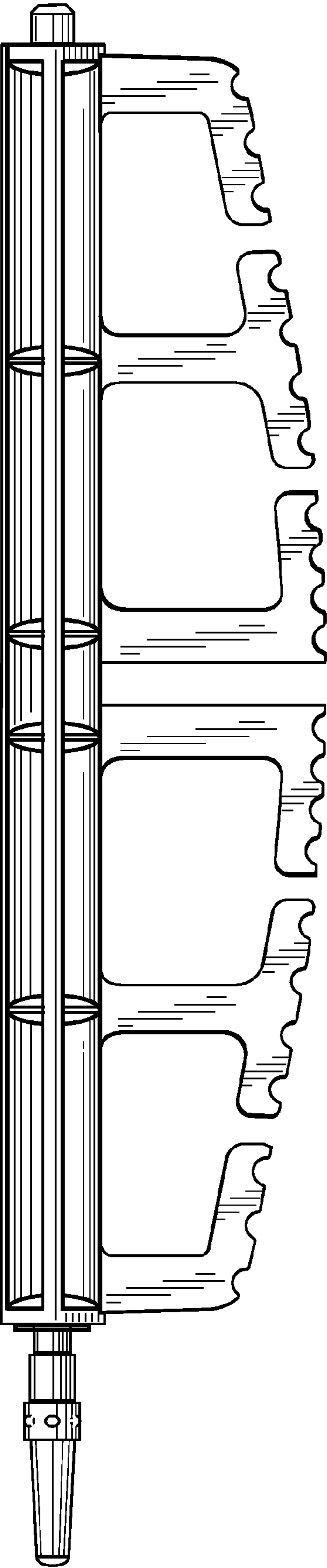


Fig. 3

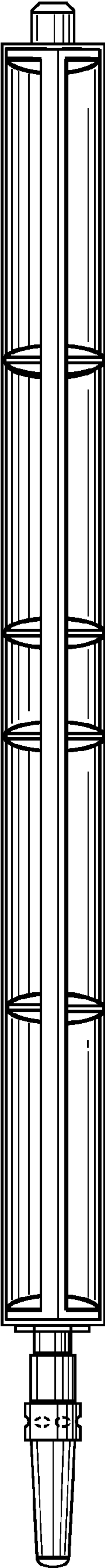


Fig. 4

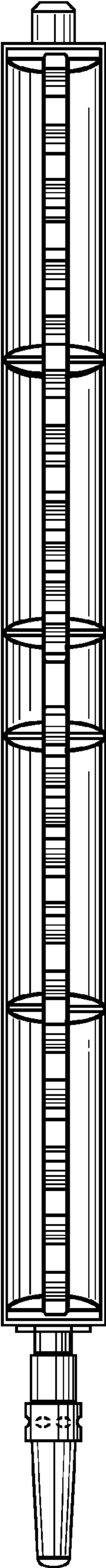


Fig. 6

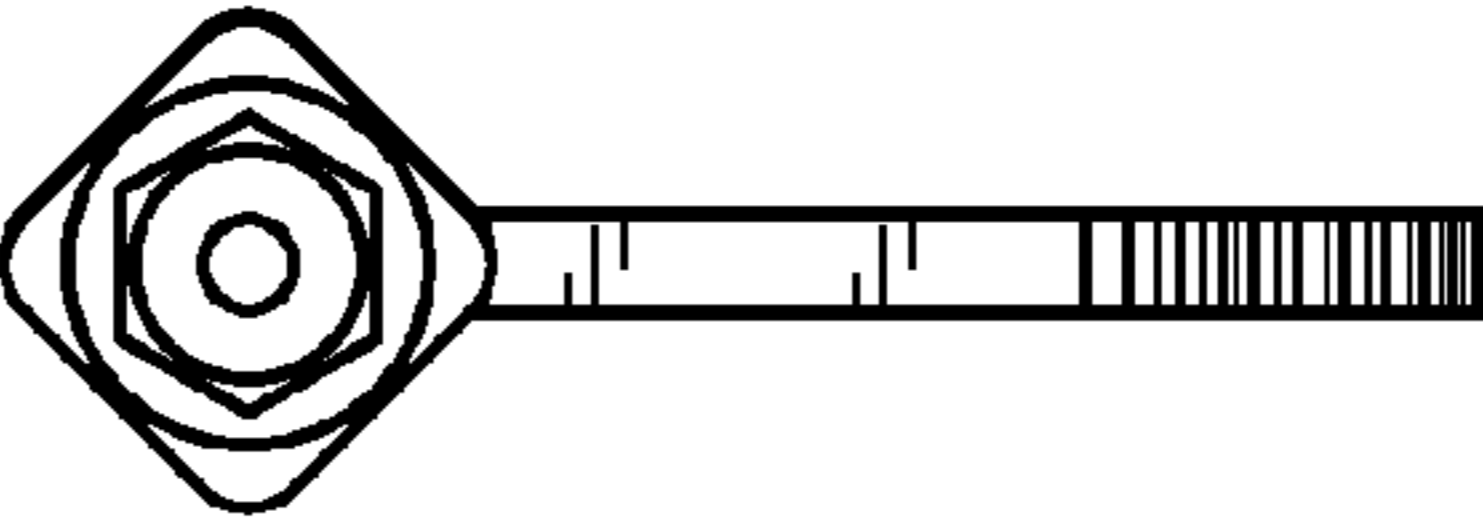


Fig. 5

