



US00D609254S

(12) **United States Design Patent**  
**Berg et al.**

(10) **Patent No.:** **US D609,254 S**

(45) **Date of Patent:** **\*\* Feb. 2, 2010**

(54) **CUTTER**

(75) Inventors: **Ola Berg**, Forslov (SE); **Berndt Einarsson**, Angelholm (SE)

(73) Assignee: **Lindab AB**, Bastad (SE)

(\*\*) Term: **14 Years**

(21) Appl. No.: **29/308,361**

(22) Filed: **Jun. 12, 2008**

(30) **Foreign Application Priority Data**

Dec. 19, 2007 (EM) ..... 000845813-0001

(51) **LOC (9) Cl.** ..... **15-09**

(52) **U.S. Cl.** ..... **D15/127**

(58) **Field of Classification Search** ..... D15/127,  
D15/133, 134, 140, 141; 83/471.1-471.3,  
83/477.2; 144/286.1-286.5, 287  
See application file for complete search history.

(56) **References Cited**

**U.S. PATENT DOCUMENTS**

5,836,365	A *	11/1998	Derektor	.....	144/287
5,988,243	A	11/1999	Ayala et al.		
D489,738	S *	5/2004	Radermacher	.....	D14/140
6,886,836	B1 *	5/2005	Wise	.....	280/30
D523,041	S *	6/2006	Wise	.....	D15/141
D566,735	S *	4/2008	Wise	.....	D15/141
7,458,403	B2 *	12/2008	Radermacher	.....	144/286.1
7,481,254	B2 *	1/2009	Welsh et al.	.....	144/286.1
2003/0024604	A1 *	2/2003	Derektor	.....	144/286.5
2003/0051769	A1 *	3/2003	Welsh et al.	.....	144/287
2005/0006002	A1 *	1/2005	Barclay deTolly	.....	144/286.5

2006/0207685	A1 *	9/2006	Welsh et al.	.....	144/286.1
2007/0131306	A1 *	6/2007	Snider	.....	144/286.1
2008/0110529	A1 *	5/2008	Breitenbach	.....	144/287

**FOREIGN PATENT DOCUMENTS**

EP	1712335	10/2006
WO	99/29473	6/1999

\* cited by examiner

*Primary Examiner*—Sandra Snapp

*Assistant Examiner*—Patricia Palasik

(74) *Attorney, Agent, or Firm*—Tarolli, Sundheim, Covell & Tummino LLP

(57) **CLAIM**

The ornamental design for a cutter, as shown and described.

**DESCRIPTION**

FIG. 1 is a perspective view of a cutter in an extended configuration illustrating our new design;

FIG. 2 is a bottom plan view of the cutter in the extended configuration;

FIG. 3 is a top plan view of the cutter in the extended configuration;

FIG. 4 is a side elevational/bottom plan view of the cutter in a retracted configuration;

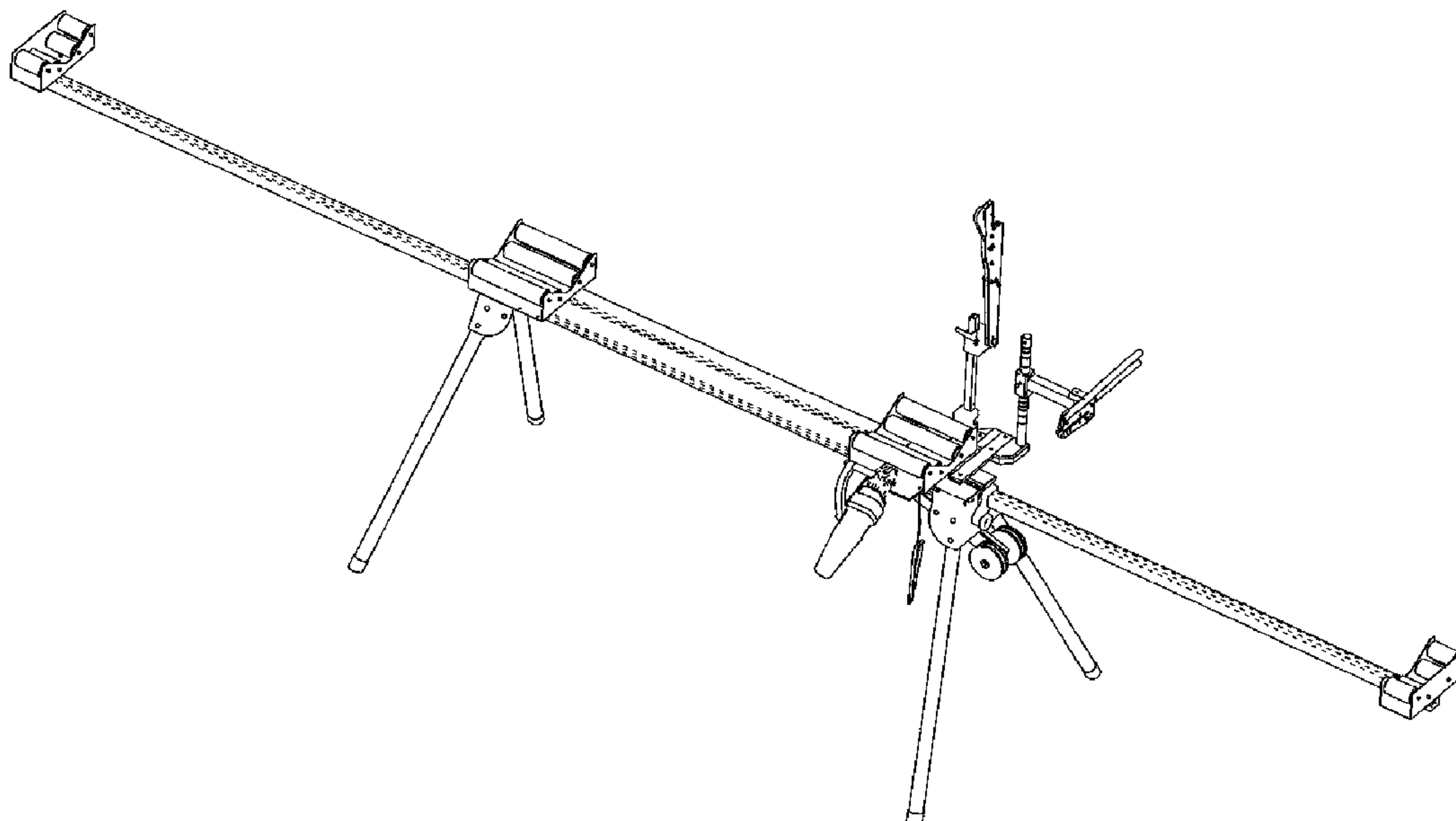
FIG. 5 is a side elevational view of the cutter in the retracted configuration;

FIG. 6 is a front elevational view of the cutter; and,

FIG. 7 is a rear elevational view of the cutter.

The broken lines in the drawings depict unclaimed environmental subject matter.

**1 Claim, 7 Drawing Sheets**



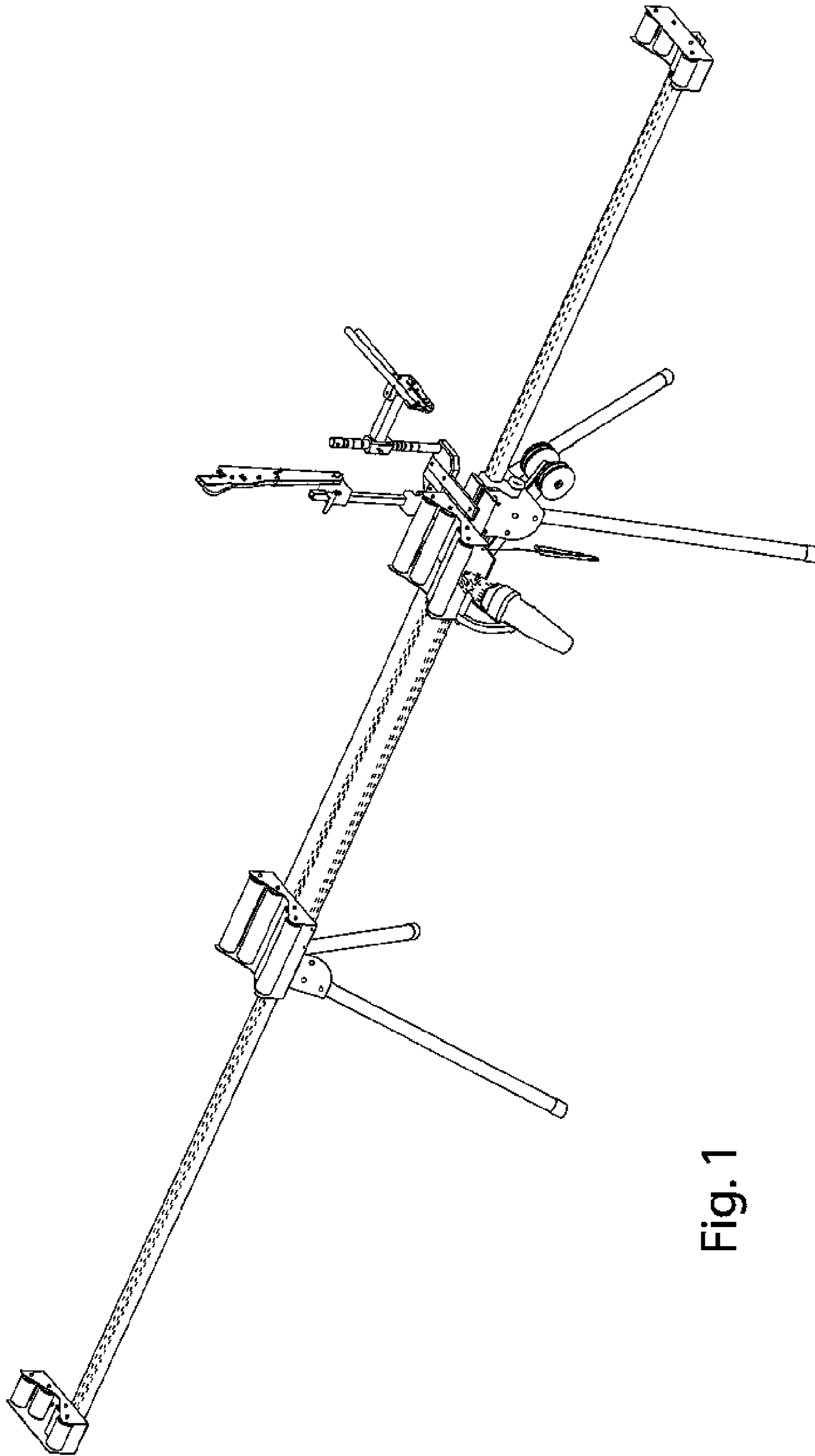


Fig. 1

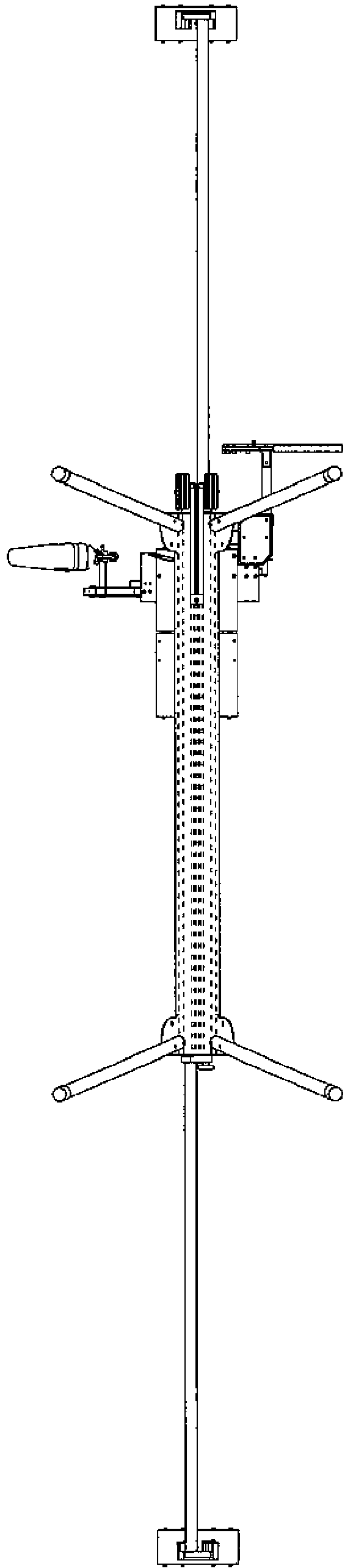


Fig. 2

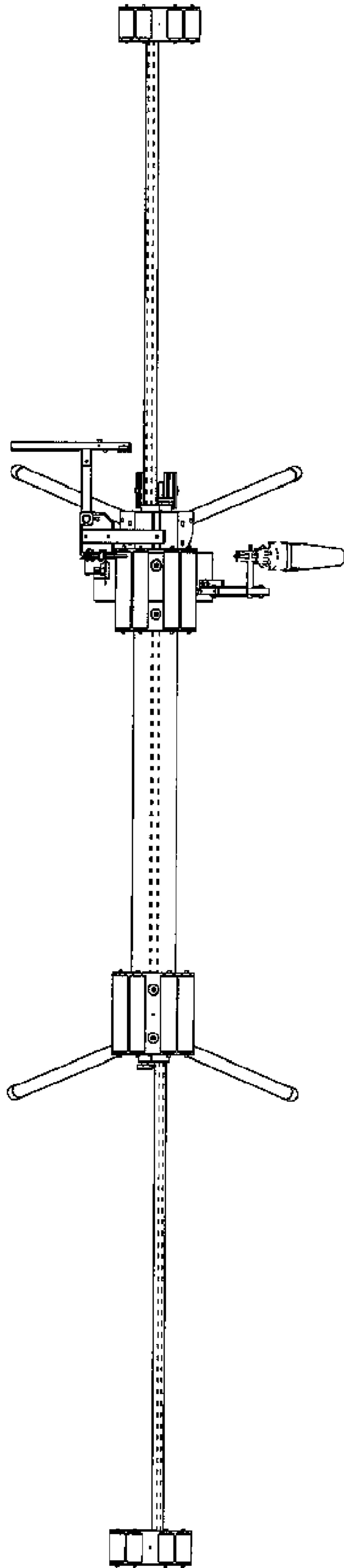


Fig. 3

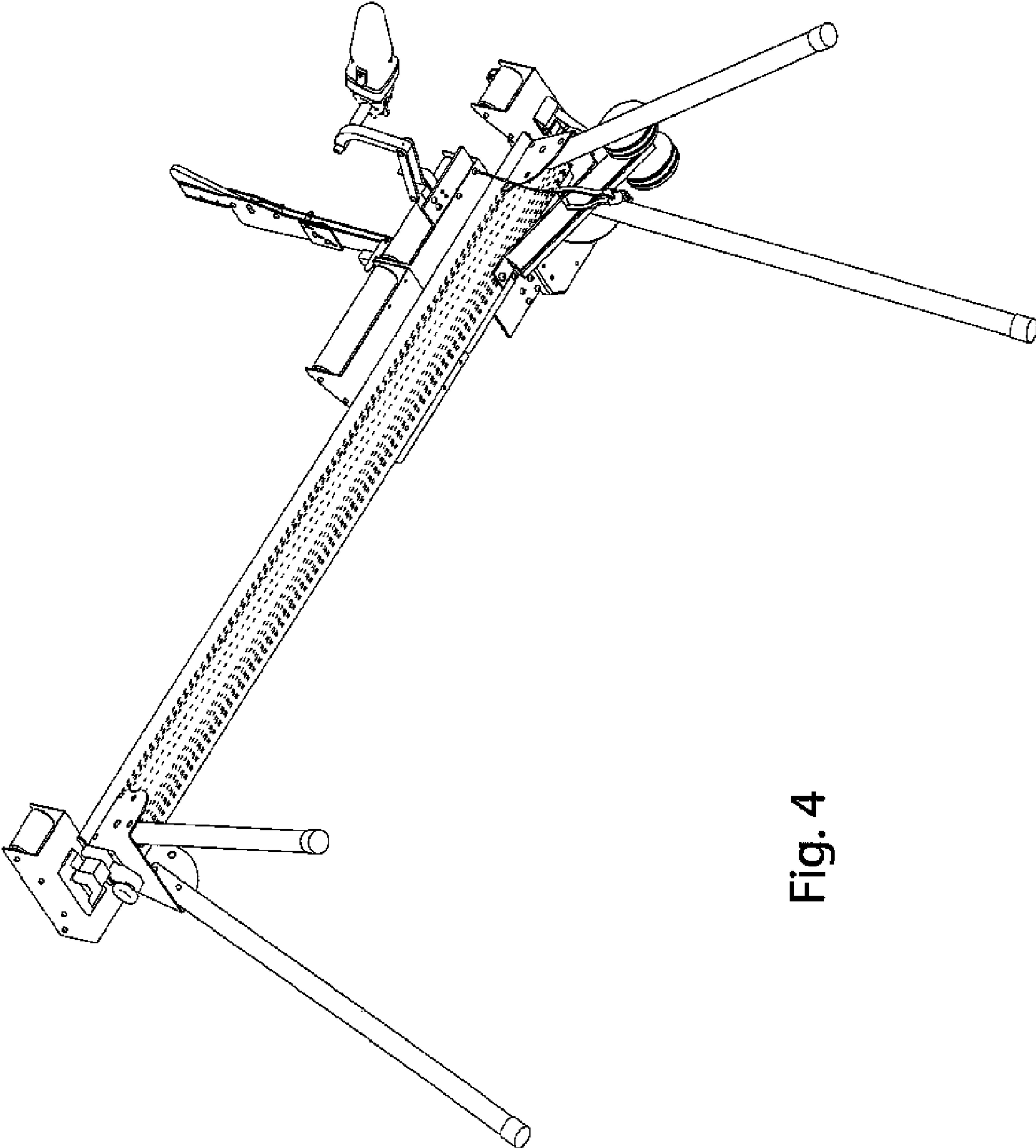


Fig. 4

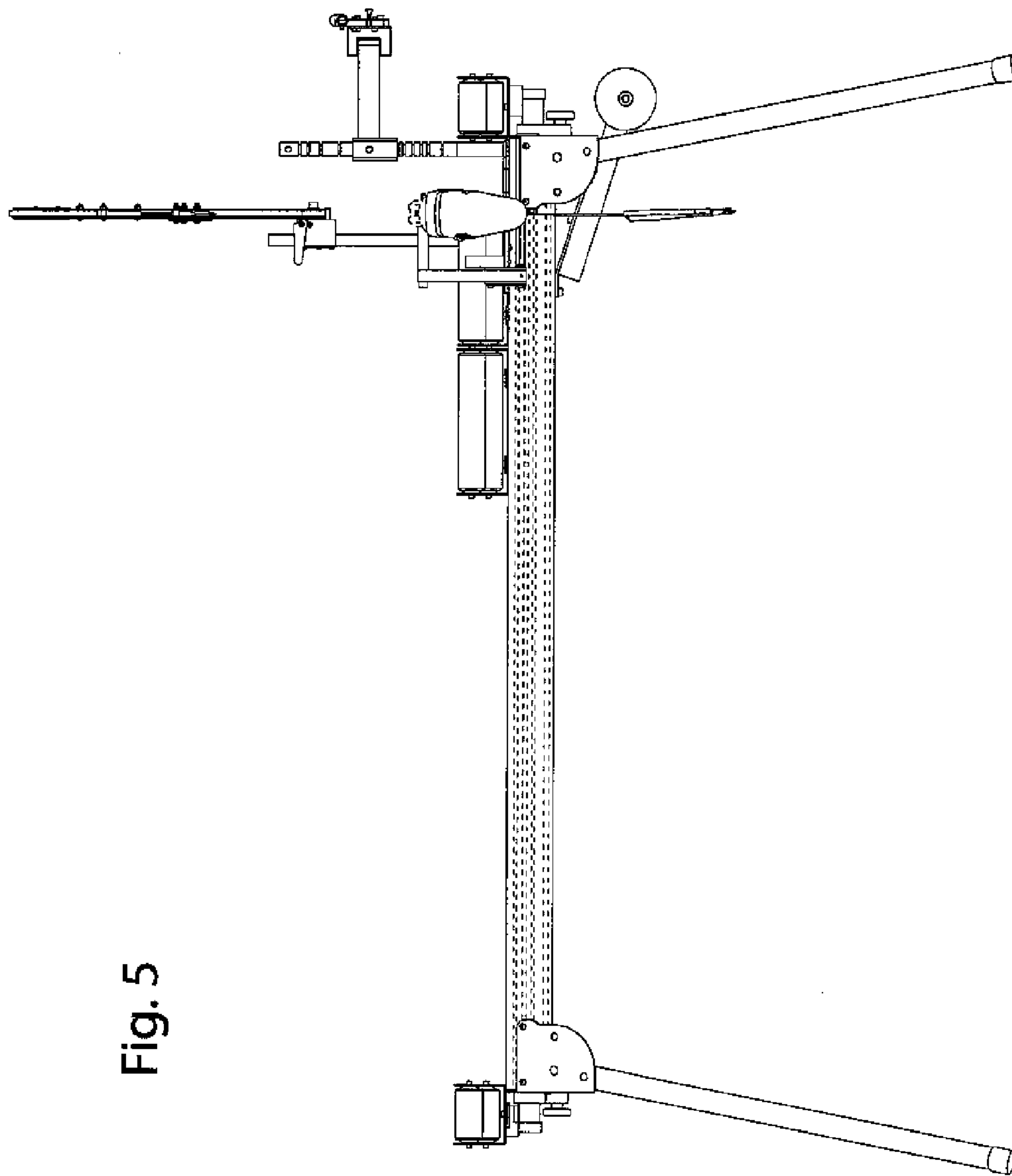
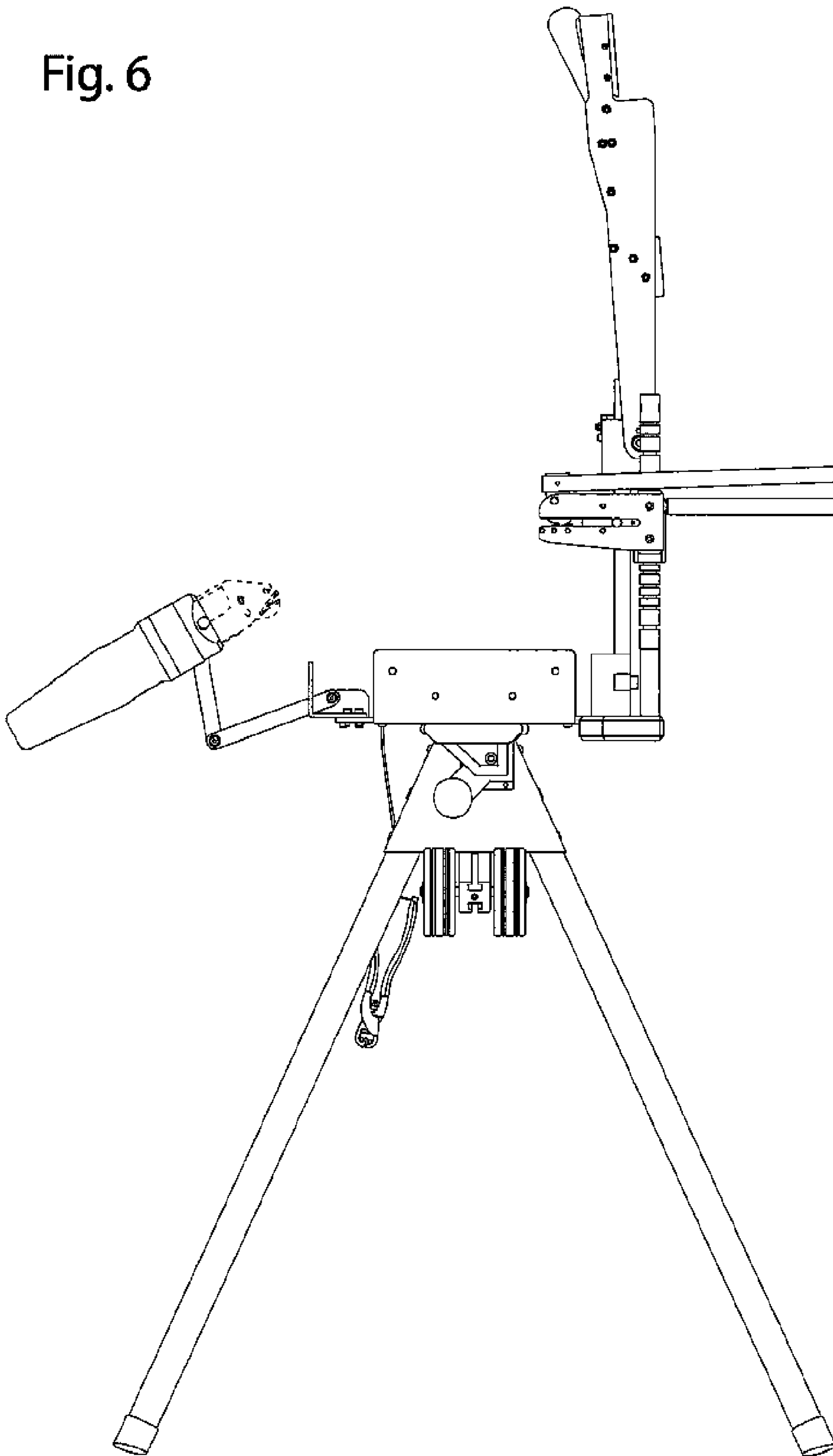


Fig. 5

Fig. 6



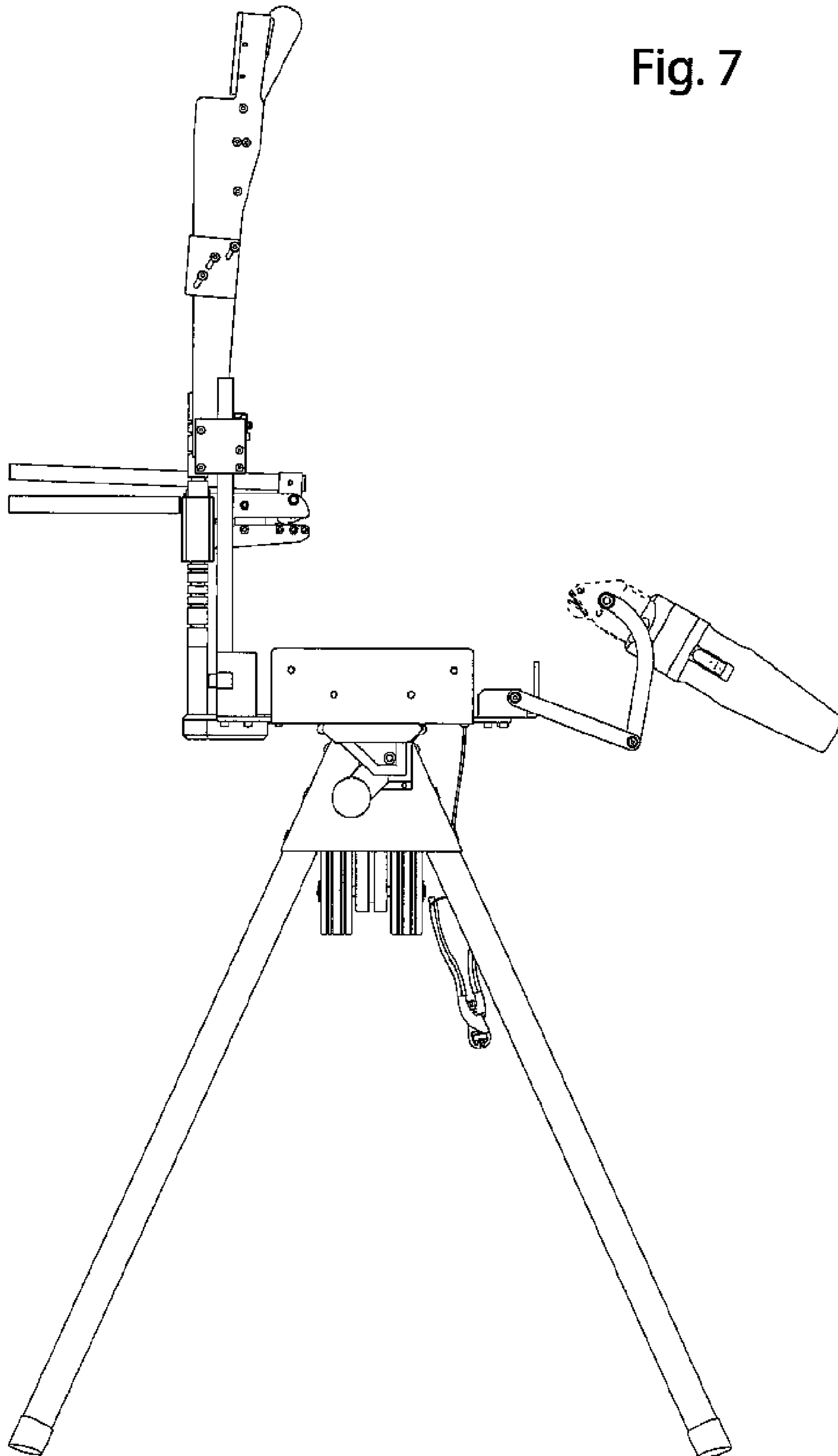


Fig. 7