



US00D609252S

(12) **United States Design Patent**
Shimada et al.

(10) **Patent No.:** **US D609,252 S**
(45) **Date of Patent:** **** Feb. 2, 2010**

(54) **POWER SHOVEL**

(75) Inventors: **Yoshihide Shimada**, Nagano (JP);
Toshihiko Takeuchi, Nagano (JP)

(73) Assignee: **Takeuchi Mfg. Co., Ltd.** (JP)

(**) Term: **14 Years**

(21) Appl. No.: **29/304,155**

(22) Filed: **Feb. 26, 2008**

(30) **Foreign Application Priority Data**

Oct. 1, 2007 (JP) 2007-026851
Oct. 1, 2007 (JP) 2007-026852

(51) **LOC (9) Cl.** **12-09**

(52) **U.S. Cl.** **D15/25; D15/24**

(58) **Field of Classification Search** D15/10,
D15/22-26, 28, 30; 180/89.1, 89.12, 89.13,
180/900, 9.1, 9.2, 9.62; 37/379; 414/694,
414/699, 722-724, 660, 685, 698, 719, 743
See application file for complete search history.

(56) **References Cited**

U.S. PATENT DOCUMENTS

3,608,756	A *	9/1971	Guinot	414/694
3,674,162	A *	7/1972	Smith	414/694
4,728,251	A *	3/1988	Takashima et al.	414/694
D309,313	S *	7/1990	Takashima et al.	D15/25
D312,468	S *	11/1990	Masumoto et al.	D15/25
D354,497	S *	1/1995	Kusunoki et al.	D15/25
D387,360	S *	12/1997	Ishizaki et al.	D15/25
D431,253	S *	9/2000	Marchetta et al.	D15/25
D440,235	S *	4/2001	Kuwae et al.	D15/25
D450,717	S *	11/2001	Muraro	D15/25
D458,941	S *	6/2002	Miyanishi et al.	D15/25
D460,462	S *	7/2002	Miyanishi et al.	D15/25
D460,974	S *	7/2002	Murakami et al.	D15/25
D462,973	S *	9/2002	Tamaru et al.	D15/25

D462,974	S *	9/2002	Yanagida et al.	D15/25
D463,455	S *	9/2002	Yanagida et al.	D15/25
D473,571	S *	4/2003	Kuwae et al.	D15/25
D474,481	S *	5/2003	Hara	D15/25
D508,498	S *	8/2005	Shimokakiuchi et al.	D15/24
D509,514	S *	9/2005	Shimokakiuchi et al.	D15/24
D518,071	S *	3/2006	Gwak et al.	D15/25
D534,552	S *	1/2007	Yanagida	D15/25
D538,304	S *	3/2007	Uemura	D15/25
D538,827	S *	3/2007	Uemura	D15/25
D555,675	S *	11/2007	Matsubara et al.	D15/25

* cited by examiner

Primary Examiner—Stella M Reid

Assistant Examiner—Mark A Goodwin

(74) *Attorney, Agent, or Firm*—Studebaker & Brackett PC;
Donald R. Studebaker

(57) **CLAIM**

The ornamental design for a power shovel, as shown and described.

DESCRIPTION

FIG. 1 is a left side view of a power shovel showing our new design;

FIG. 2 is a front view thereof;

FIG. 3 is a rear view thereof;

FIG. 4 is a top plan view thereof;

FIG. 5 is a bottom plan view thereof;

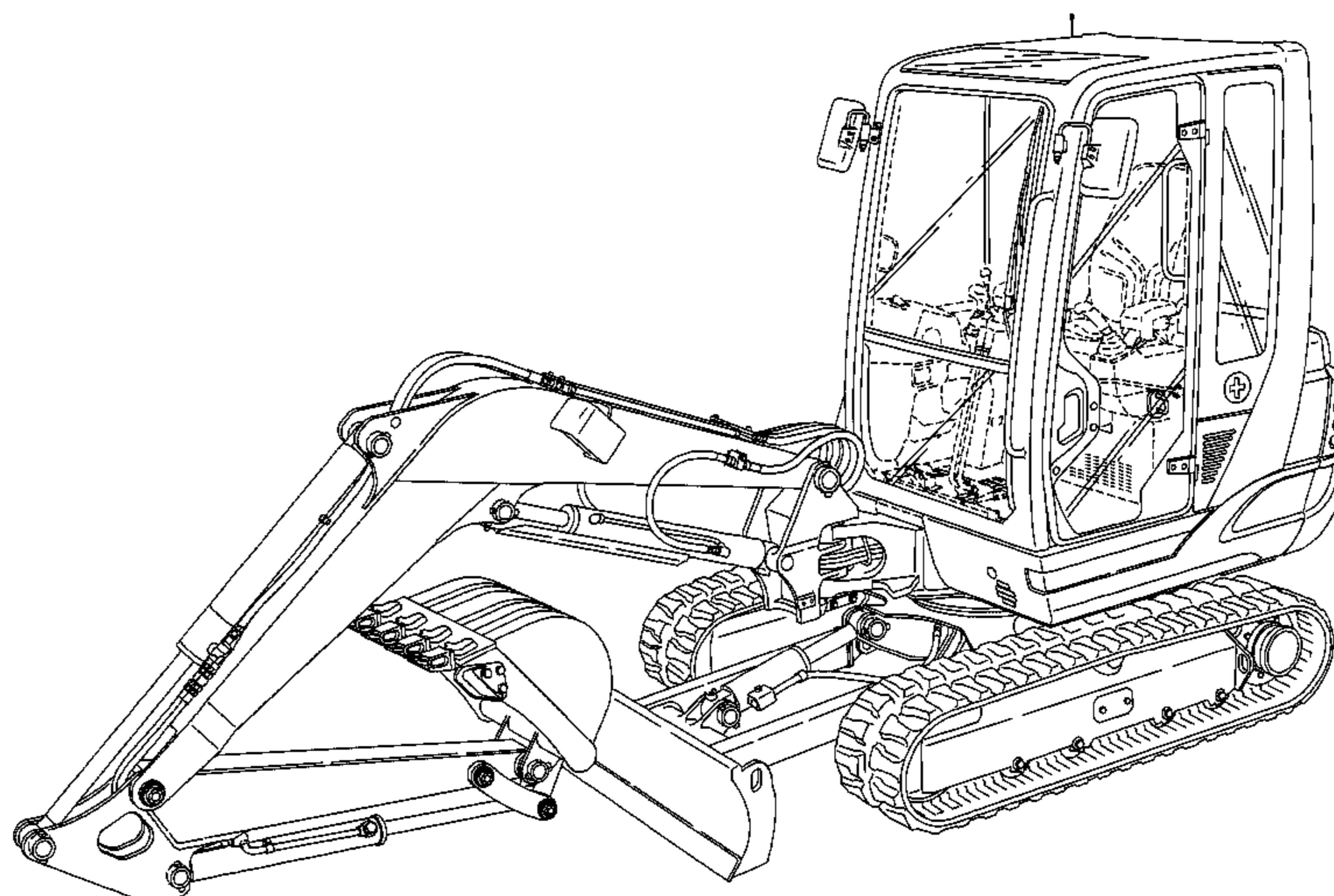
FIG. 6 is a right side view thereof;

FIG. 7 is a left side perspective view thereof; and,

FIG. 8 is a right side perspective view thereof.

The broken line portions in the figure drawing views is included to show unclaimed environmental structure only and forms no part of the claimed design.

1 Claim, 8 Drawing Sheets



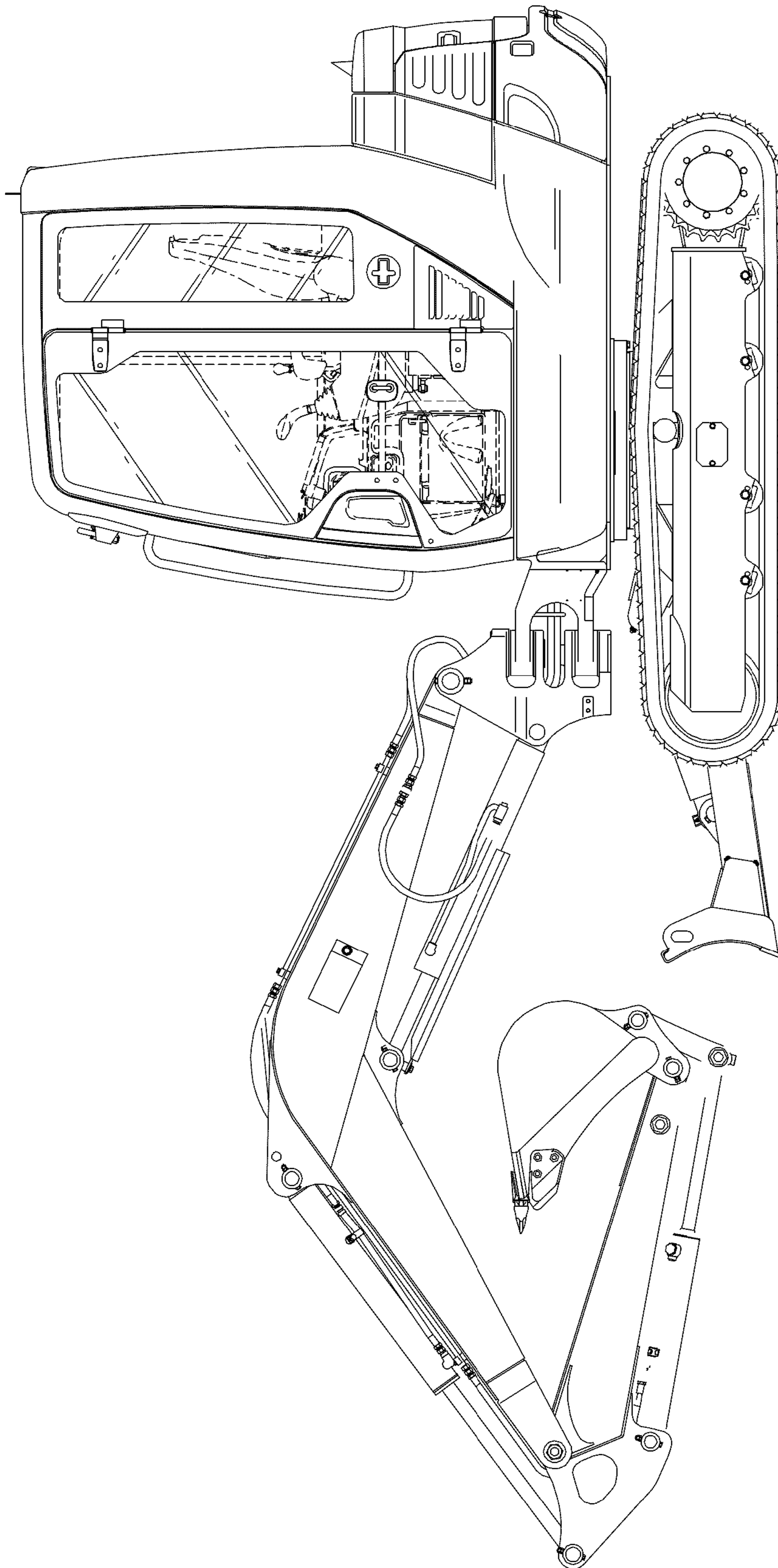


FIG.1

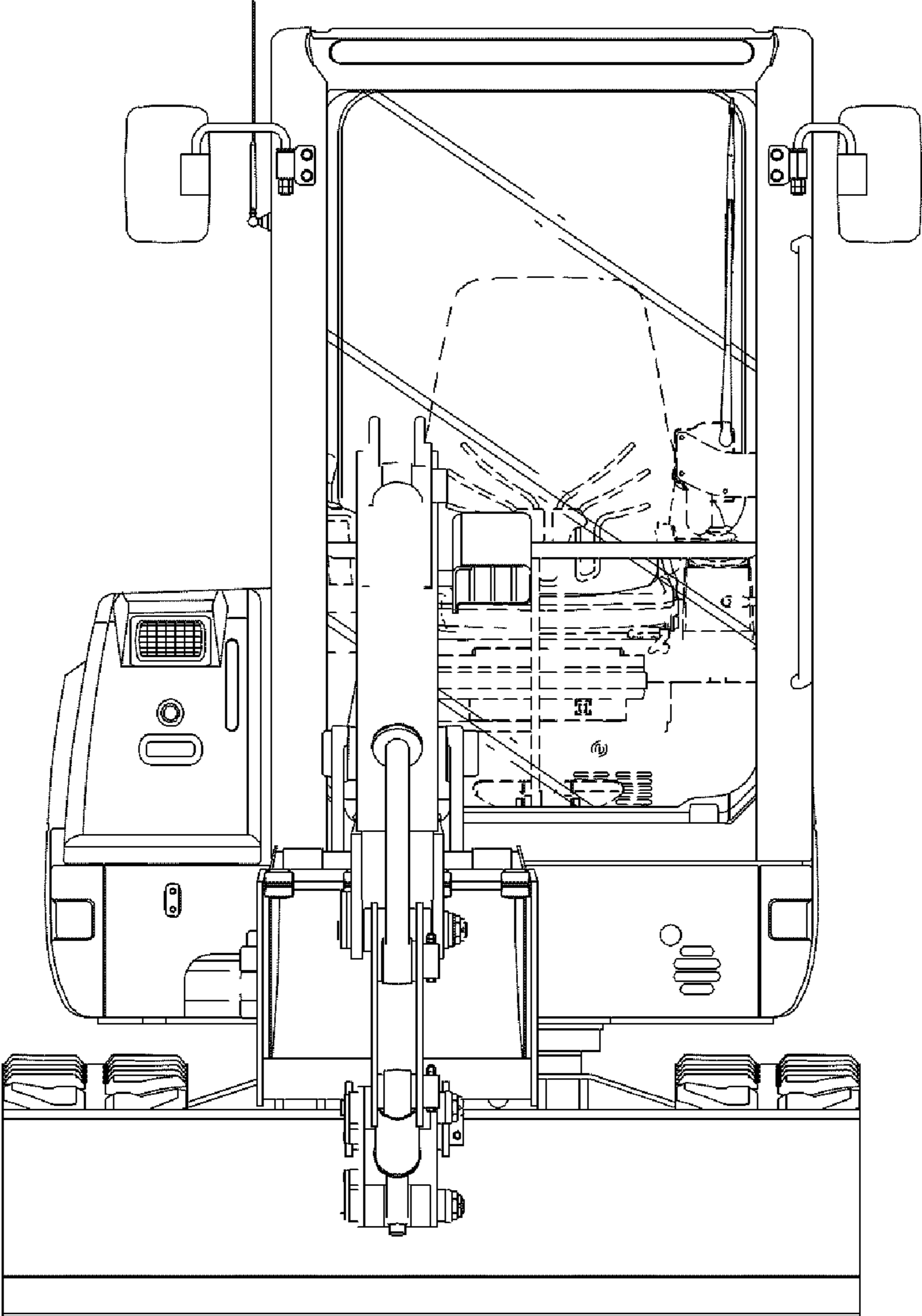


FIG.2

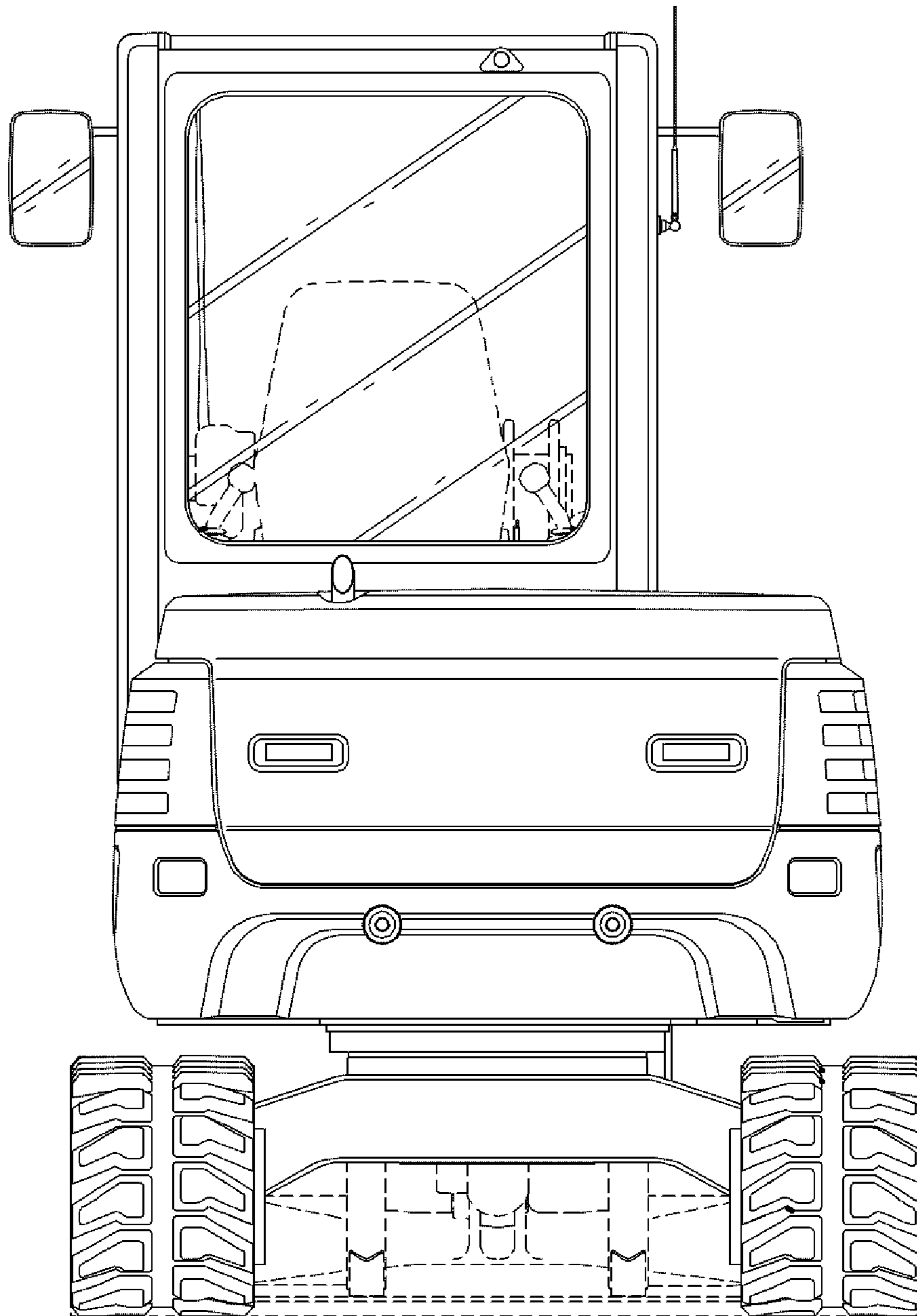


FIG. 3

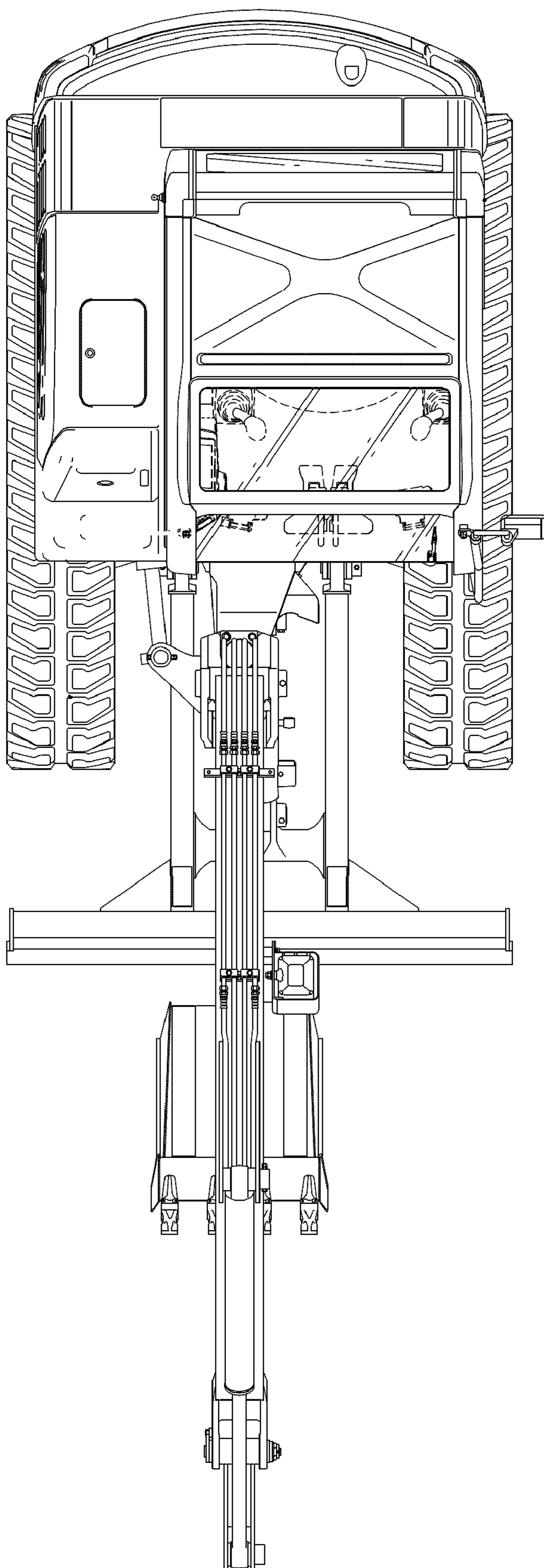


FIG.4

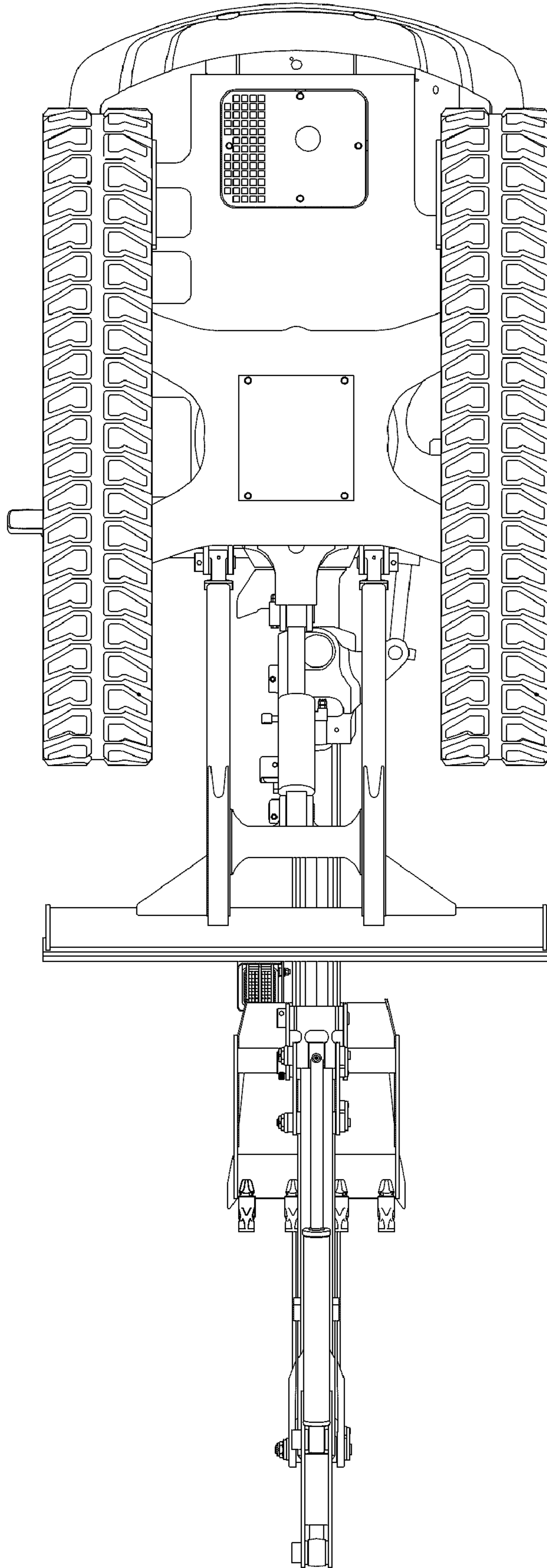


FIG. 5

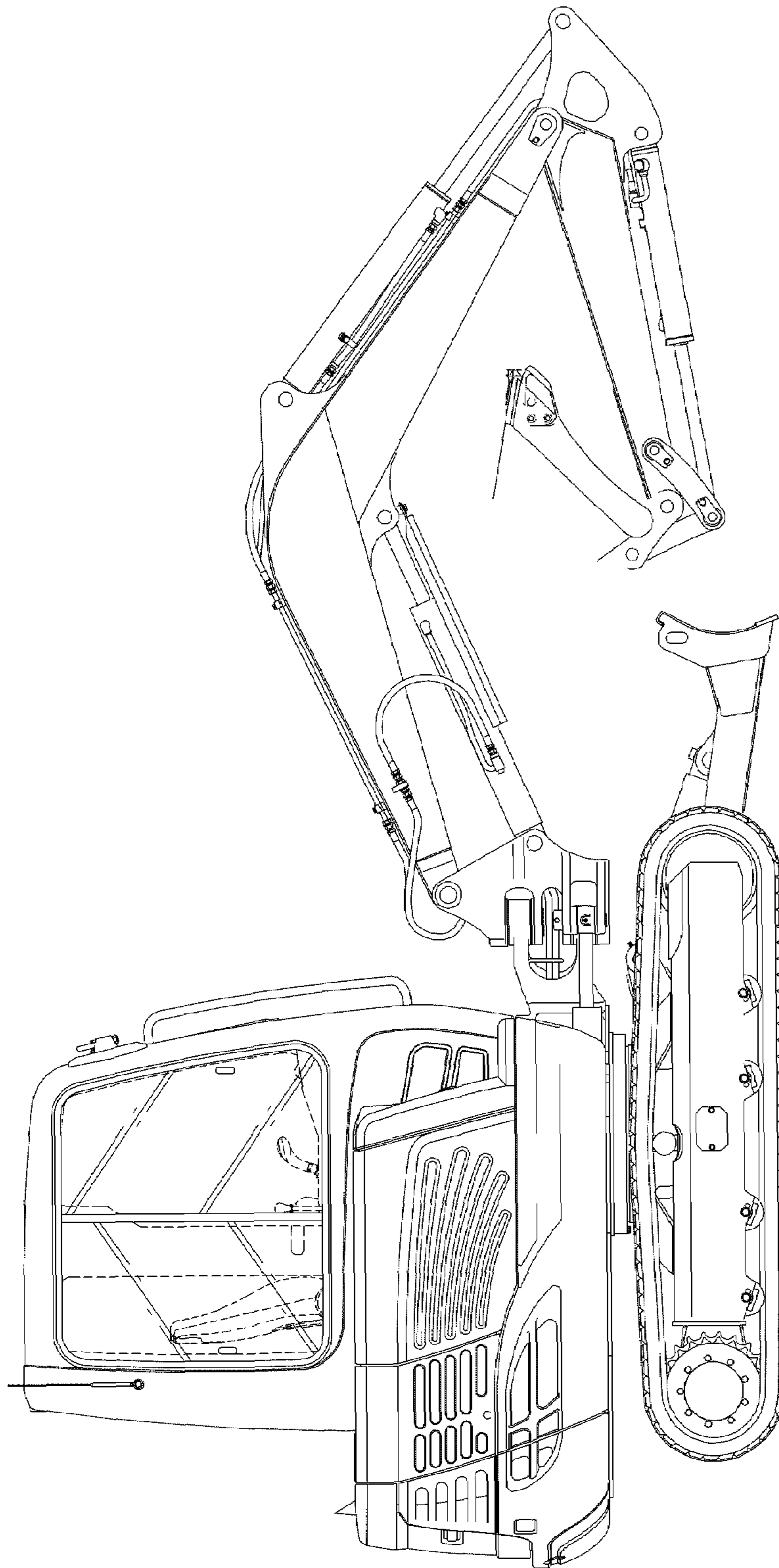


FIG.6

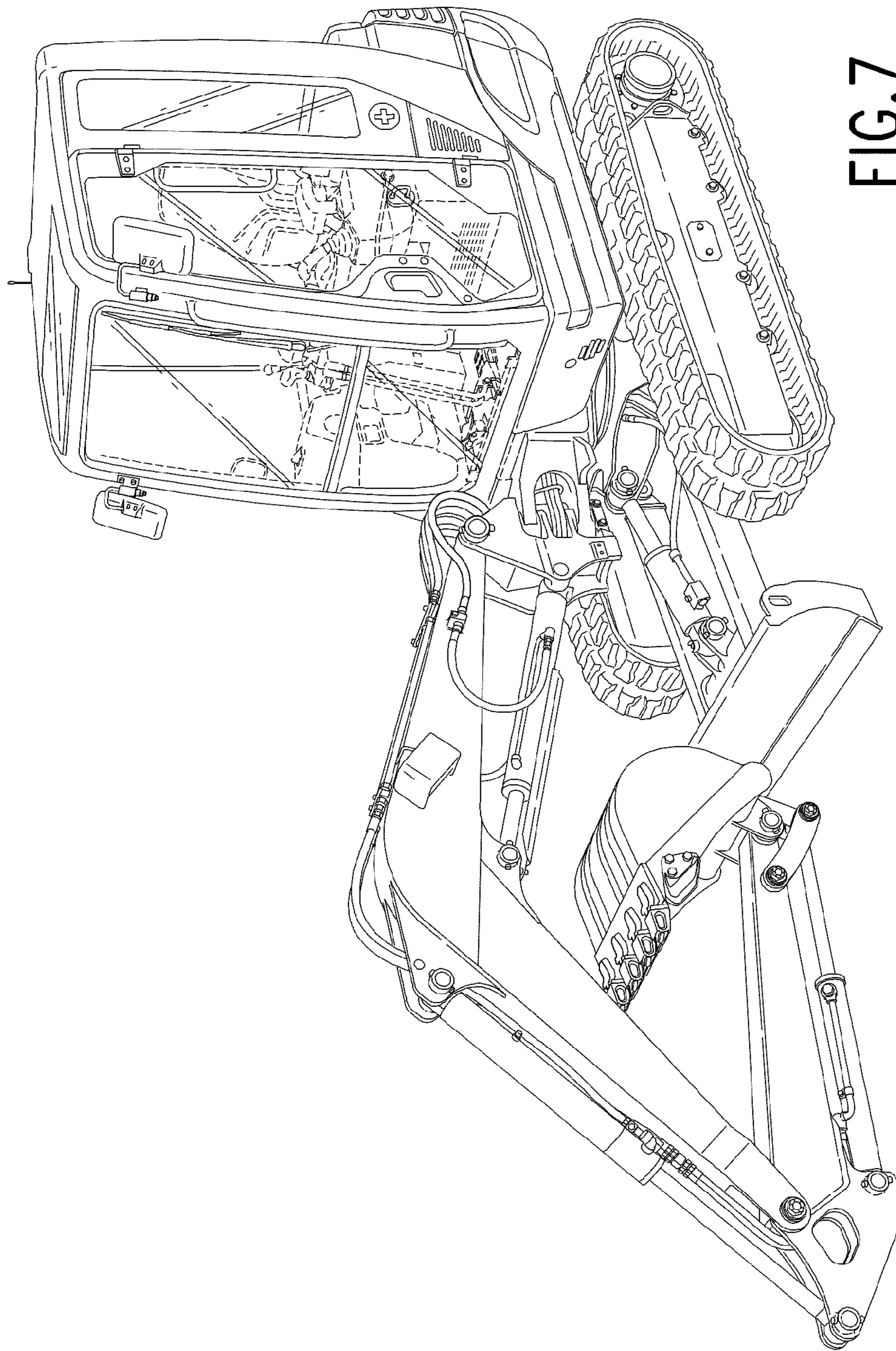


FIG. 7

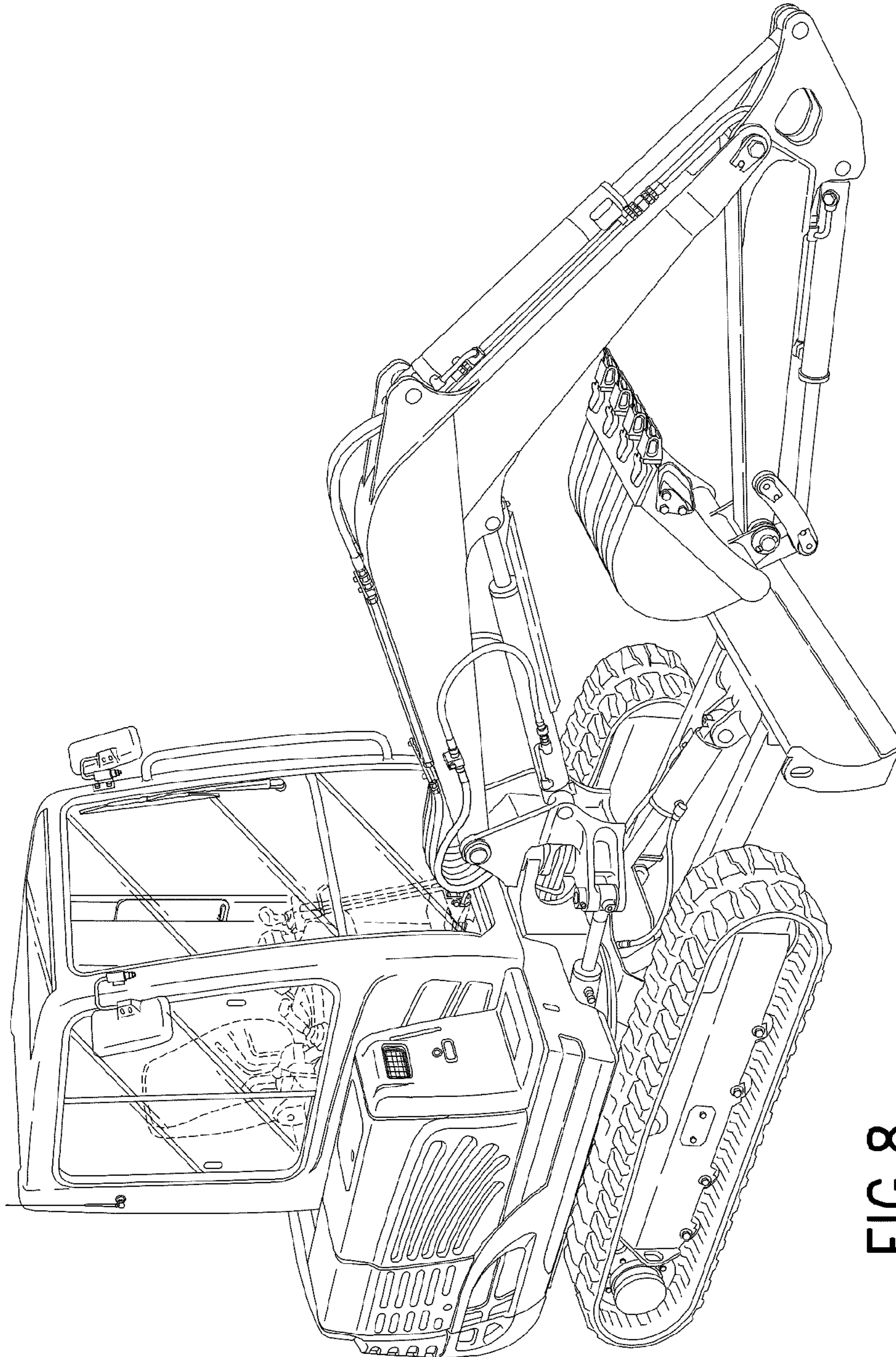


FIG. 8