



US00D609251S

(12) **United States Design Patent**
Roth

(10) **Patent No.:** **US D609,251 S**

(45) **Date of Patent:** **** Feb. 2, 2010**

(54) **MOWER BLADE**

(75) Inventor: **Christopher Roth**, Summerville, SC
(US)

(73) Assignee: **Husqvarna U.S. Holding, Inc.**, Augusta,
GA (US)

(**) Term: **14 Years**

(21) Appl. No.: **29/329,822**

(22) Filed: **Dec. 22, 2008**

(51) **LOC (9) Cl.** **15-03**

(52) **U.S. Cl.** **D15/17**

(58) **Field of Classification Search** D15/14-18,
D15/32; D8/20; 30/347, 276, 390; 56/295,
56/255, 289, 13.4, 17.5

See application file for complete search history.

(56) **References Cited**

U.S. PATENT DOCUMENTS

2,687,607	A *	8/1954	Sewell	56/17.4
3,225,527	A *	12/1965	Spear	56/12.1
3,343,351	A *	9/1967	Freedlander et al.	56/295
3,445,992	A *	5/1969	Fischer et al.	56/295
4,651,510	A *	3/1987	Malutich	56/295
D289,524	S *	4/1987	Andersson et al.	D15/17
5,284,006	A *	2/1994	Sheldon	56/255
D357,691	S *	4/1995	Bryant	D15/17
5,454,216	A *	10/1995	Myszka	56/17.5
D440,580	S *	4/2001	Cooper et al.	D15/17
D450,066	S *	11/2001	Monesmith	D15/17
D482,700	S *	11/2003	Lancaster	D15/17
6,769,236	B2 *	8/2004	Schaedler	56/295
D497,169	S *	10/2004	Darity	D15/17
7,065,946	B2 *	6/2006	Boeck et al.	56/320.1

7,127,877	B2 *	10/2006	Curran	56/255
D535,666	S *	1/2007	Nesco et al.	D15/17
2003/0041582	A1 *	3/2003	Plamper	56/295
2003/0074874	A1 *	4/2003	Schaedler	56/255
2005/0172601	A1 *	8/2005	Besogne	56/295
2005/0229573	A1 *	10/2005	Curran	56/255
2006/0150609	A1 *	7/2006	Igl	56/295

* cited by examiner

Primary Examiner—Stella M Reid

Assistant Examiner—Mark A Goodwin

(74) *Attorney, Agent, or Firm*—Charles L. Moore; Moore &
Van Allen, PLLC

(57) **CLAIM**

The ornamental design for a mower blade, as shown and described.

DESCRIPTION

FIG. 1 is a top perspective view of a mower blade showing my new design.

FIG. 2 is a top plan view of the mower blade of FIG. 1.

FIG. 3 is a bottom plan view of the mower blade of FIG. 1.

FIG. 4 is a front elevation view of the mower blade of FIG. 1.

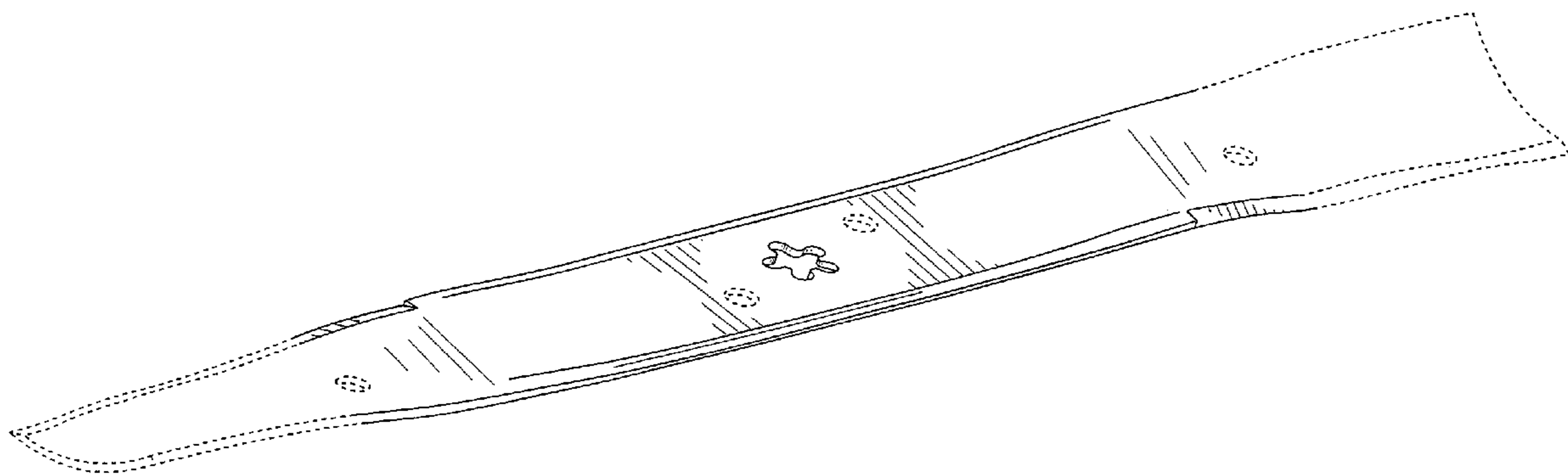
FIG. 5 is a rear elevation view of the mower blade of FIG. 1.

FIG. 6 is a left side elevation view of the mower blade of FIG. 1; and,

FIG. 7 is a right side elevation view of the mower blade of FIG. 1.

The broken lines in FIGS. 1-7 are illustrative of the environmental structure or boundaries of the mower blade and form no part of the claimed design.

1 Claim, 6 Drawing Sheets



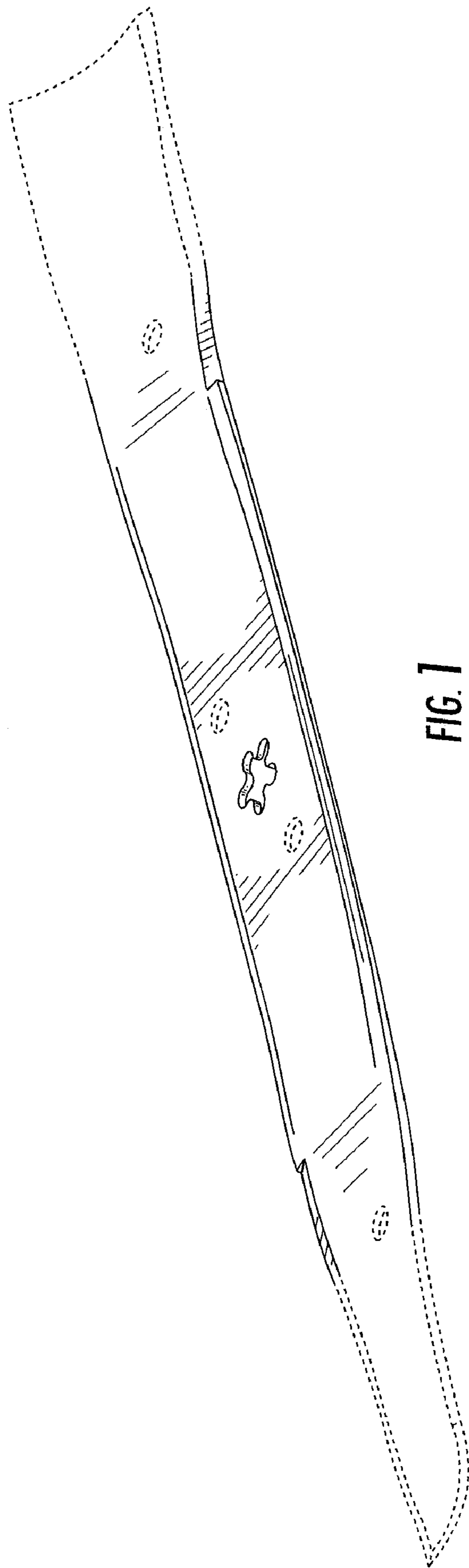


FIG. 1

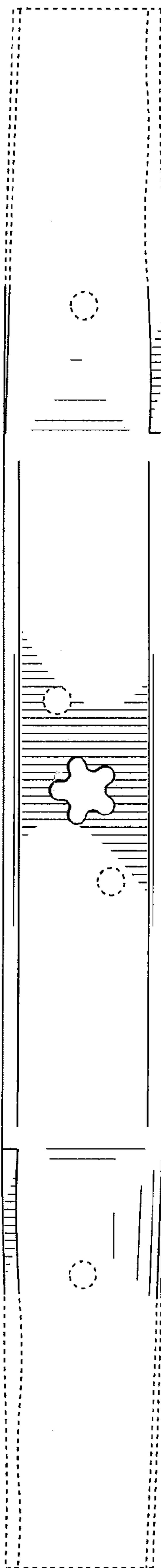


FIG. 2

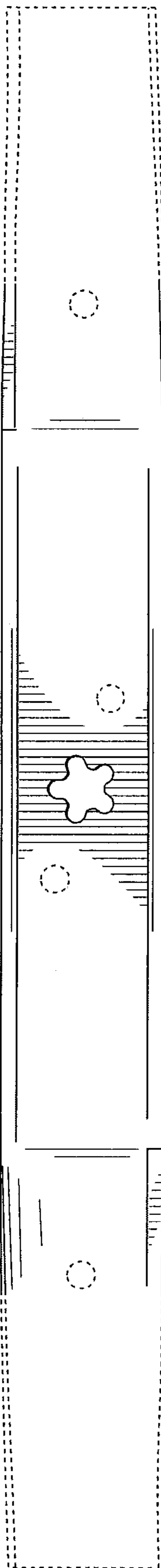


FIG. 3

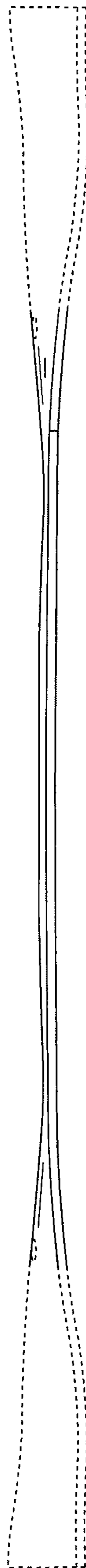


FIG. 4

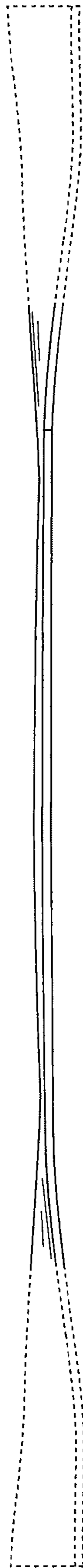


FIG. 5

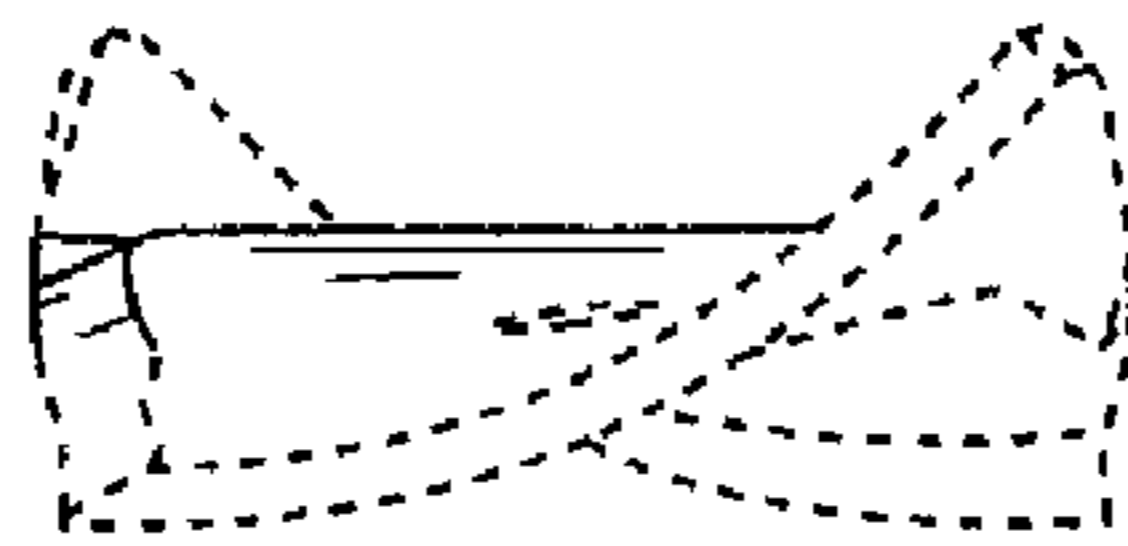


FIG. 6

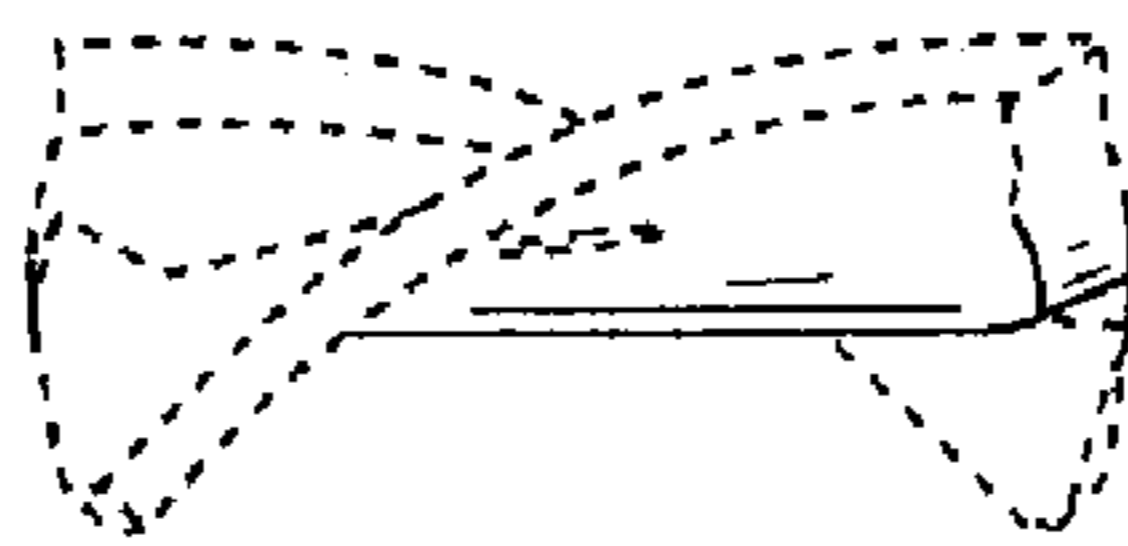


FIG. 7